



US00D440149S

(12) **United States Design Patent**  
**Miyata**

(10) **Patent No.:** **US D440,149 S**

(45) **Date of Patent:** **\*\* Apr. 10, 2001**

(54) **NUT**

(75) **Inventor:** **Chuji Miyata**, Kanagawa-ken (JP)

(73) **Assignees:** **Hiromi Shinkai**, Kanagawa-ken;  
**Noriko Okaya**, Saitama-ken, both of  
(JP); part interest to each

(\*\*) **Term:** **14 Years**

(21) **Appl. No.:** **29/107,861**

(22) **Filed:** **Jul. 16, 1999**

(30) **Foreign Application Priority Data**

Mar. 1, 1999 (JP) ..... 11-5078

(51) **LOC (7) Cl.** ..... **08-08**

(52) **U.S. Cl.** ..... **D8/397**

(58) **Field of Search** ..... D8/397; 411/427,  
411/429, 432, 918, 430, 431, 372.5

(56) **References Cited**

**U.S. PATENT DOCUMENTS**

1,829,972 \* 11/1931 Wiley .

**OTHER PUBLICATIONS**

Sweet's 1969 Fastening File; Fas/Maesecc.; p. 6; M-F Flange Nut.\*

Machine Design—The Fastener's Book; p. 125; Kaylock Locknuts—nut on right.\*

\* cited by examiner

*Primary Examiner*—B. J. Bullock

(74) *Attorney, Agent, or Firm*—Sughrue, Mion, Zinn, Macpeak & Seas, PLLC

(57) **CLAIM**

The ornamental design for a nut, as shown and described.

**DESCRIPTION**

FIG. 1 is a top plan view of a nut showing my new design;

FIG. 2 is a front elevation view thereof, a rear elevation view is identical with the front elevation view;

FIG. 3 is a bottom view thereof;

FIG. 4 is a right side elevation view thereof, a left side elevation view is identical with the right side elevation view;

and,

FIG. 5 is a cross-sectional view thereof taken along line 5—5 in FIG. 1.

**1 Claim, 2 Drawing Sheets**

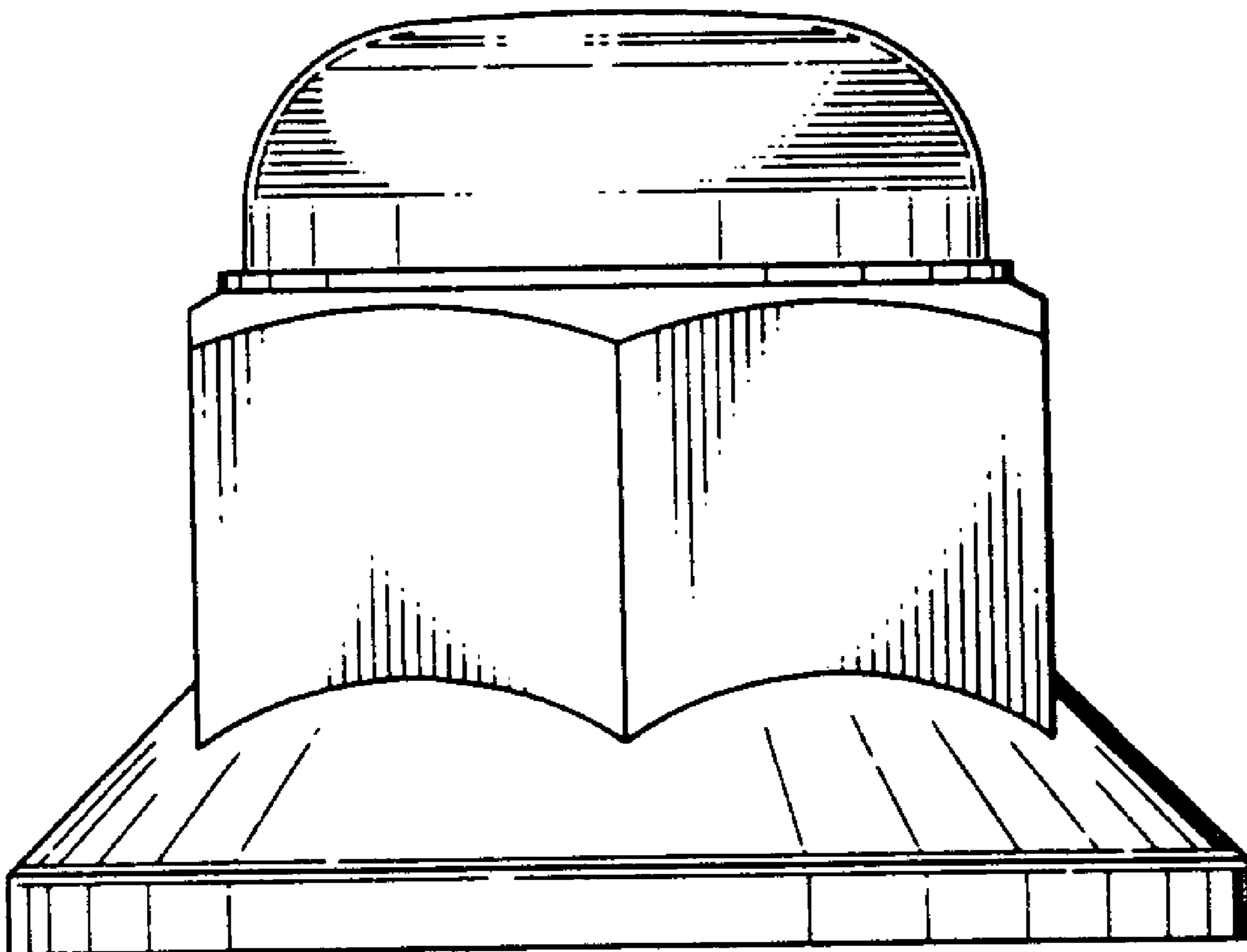


FIG. 1

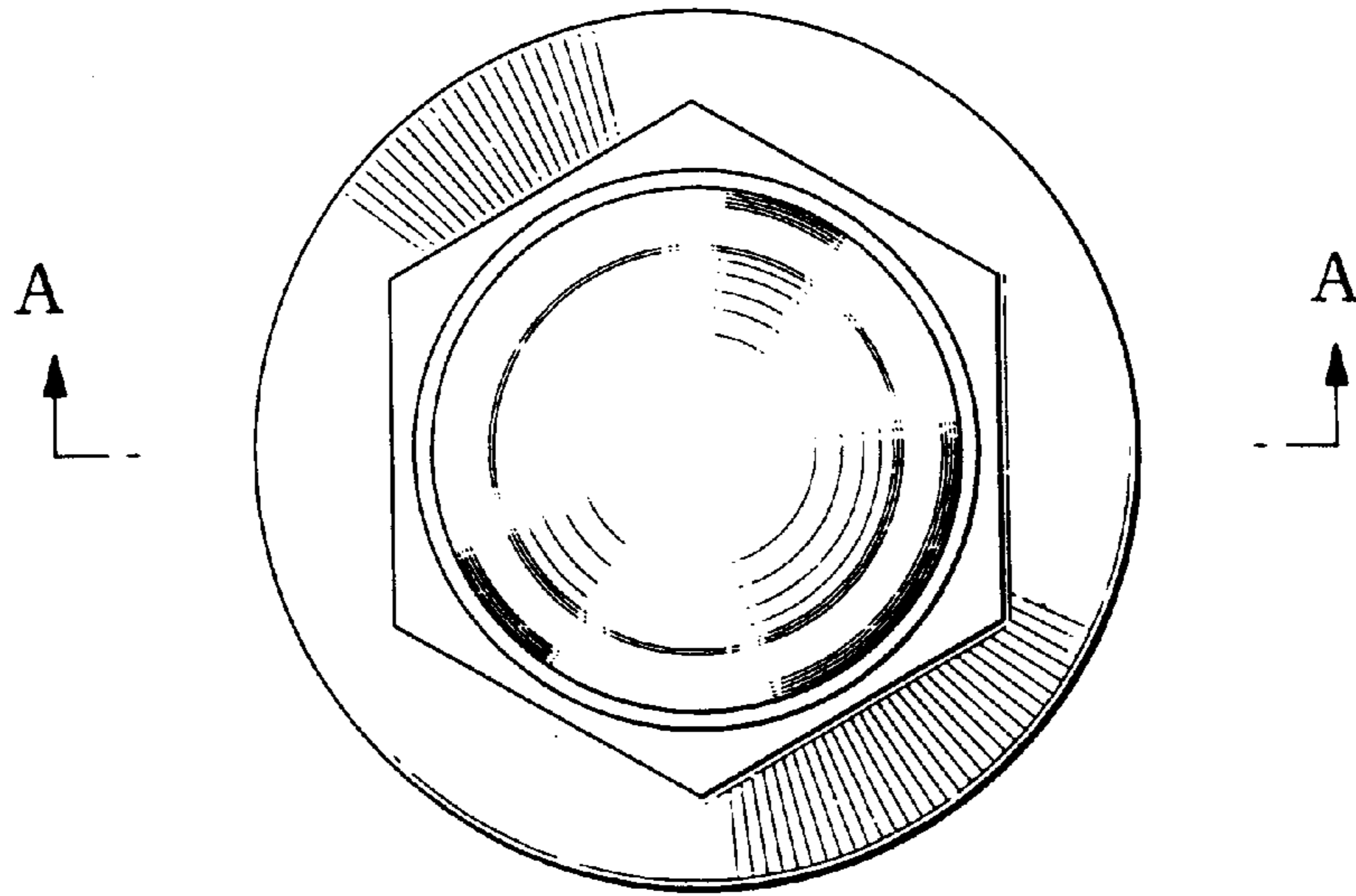
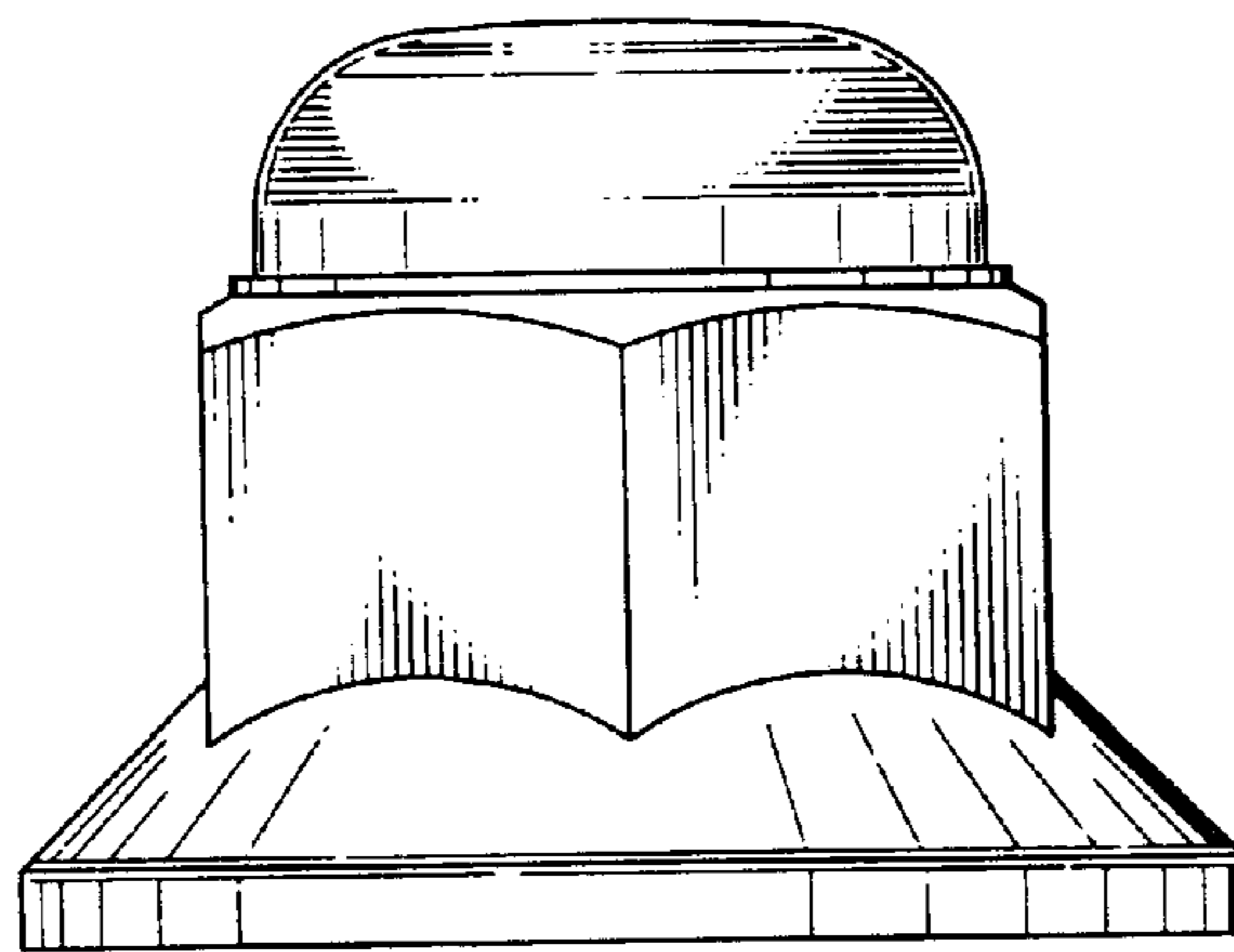
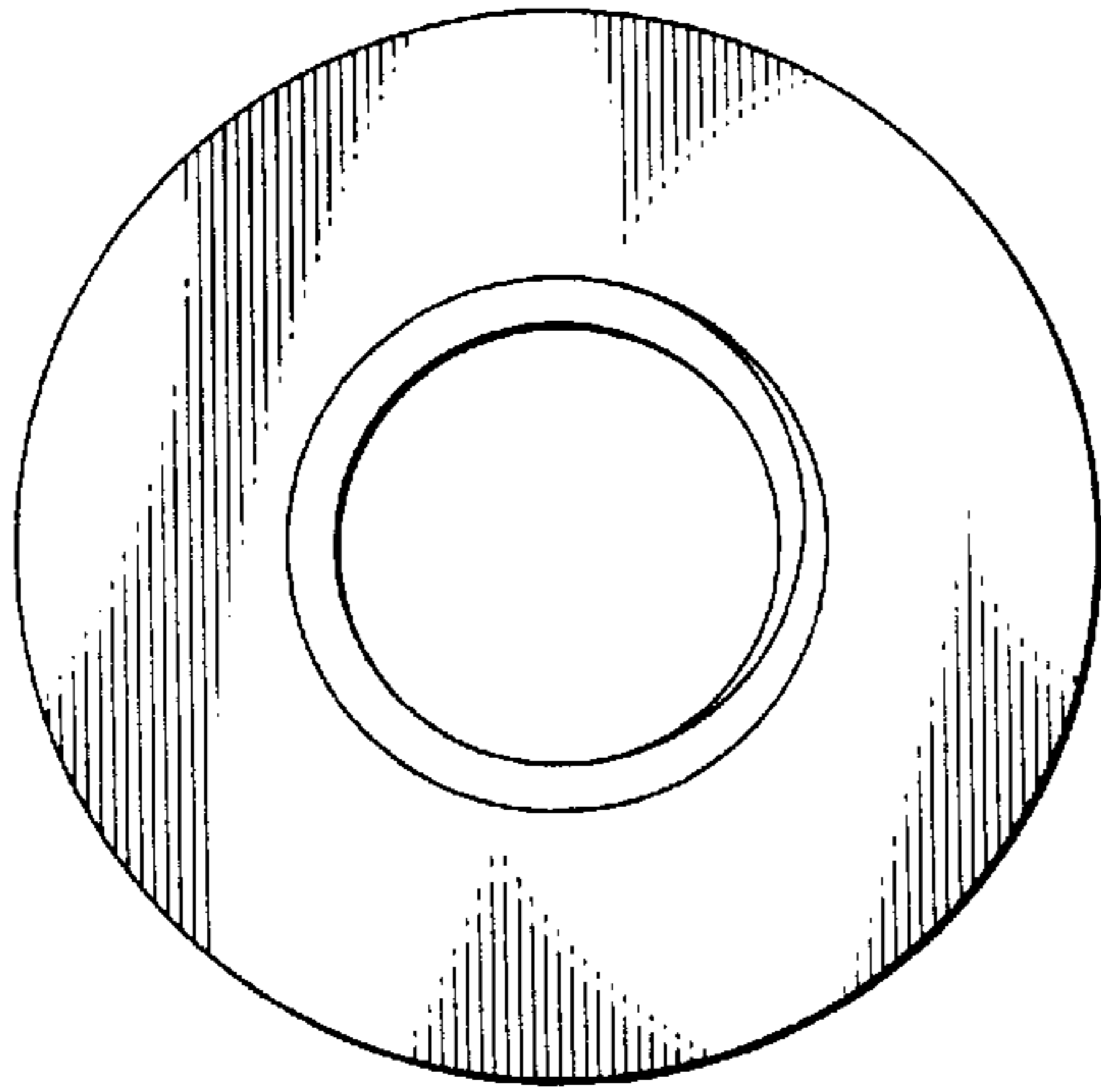


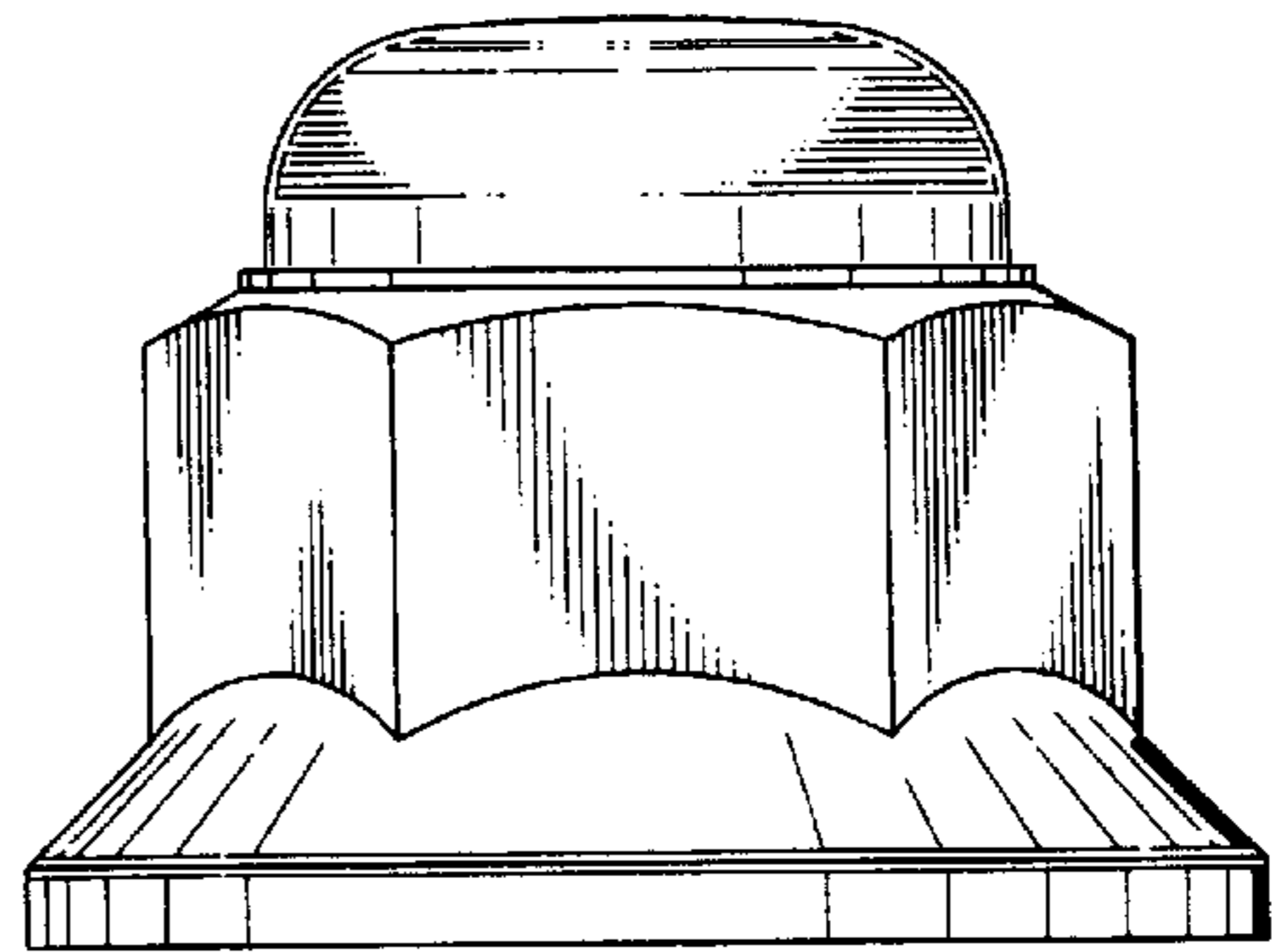
FIG. 2



F I G . 3



F I G . 4



F I G . 5

