



US00D440148S

(12) **United States Design Patent**
Kan

(10) **Patent No.:** **US D440,148 S**

(45) **Date of Patent:** **** Apr. 10, 2001**

(54) **CLIP**

(76) **Inventor:** **Elvin Man Kit Kan**, Flat A, 14/F,
Block 5, Phoenix Court, 39 Kennedy
Road, Wan Chai (HK)

(**) **Term:** **14 Years**

(21) **Appl. No.:** **29/115,734**

(22) **Filed:** **Dec. 21, 1999**

(51) **LOC (7) Cl.** **08-08**

(52) **U.S. Cl.** **D8/395; D9/434**

(58) **Field of Search** D8/394-396; D19/65;
D9/435, 434; 383/81-3, 86; 24/500-502,
508, 30.5 R, 511

(56) **References Cited**

U.S. PATENT DOCUMENTS

D. 303,216 * 9/1989 Hoffman et al. D9/434

D. 345,179 * 3/1994 Carefoot D19/65
D. 383,970 * 9/1997 Berman D8/395
4,394,791 * 7/1983 Groth 24/30.5 R
5,802,677 * 9/1998 Dorman et al. 24/30.5 R

* cited by examiner

Primary Examiner—B. J. Bullock

(74) *Attorney, Agent, or Firm*—Rabin & Champagne, P.C.

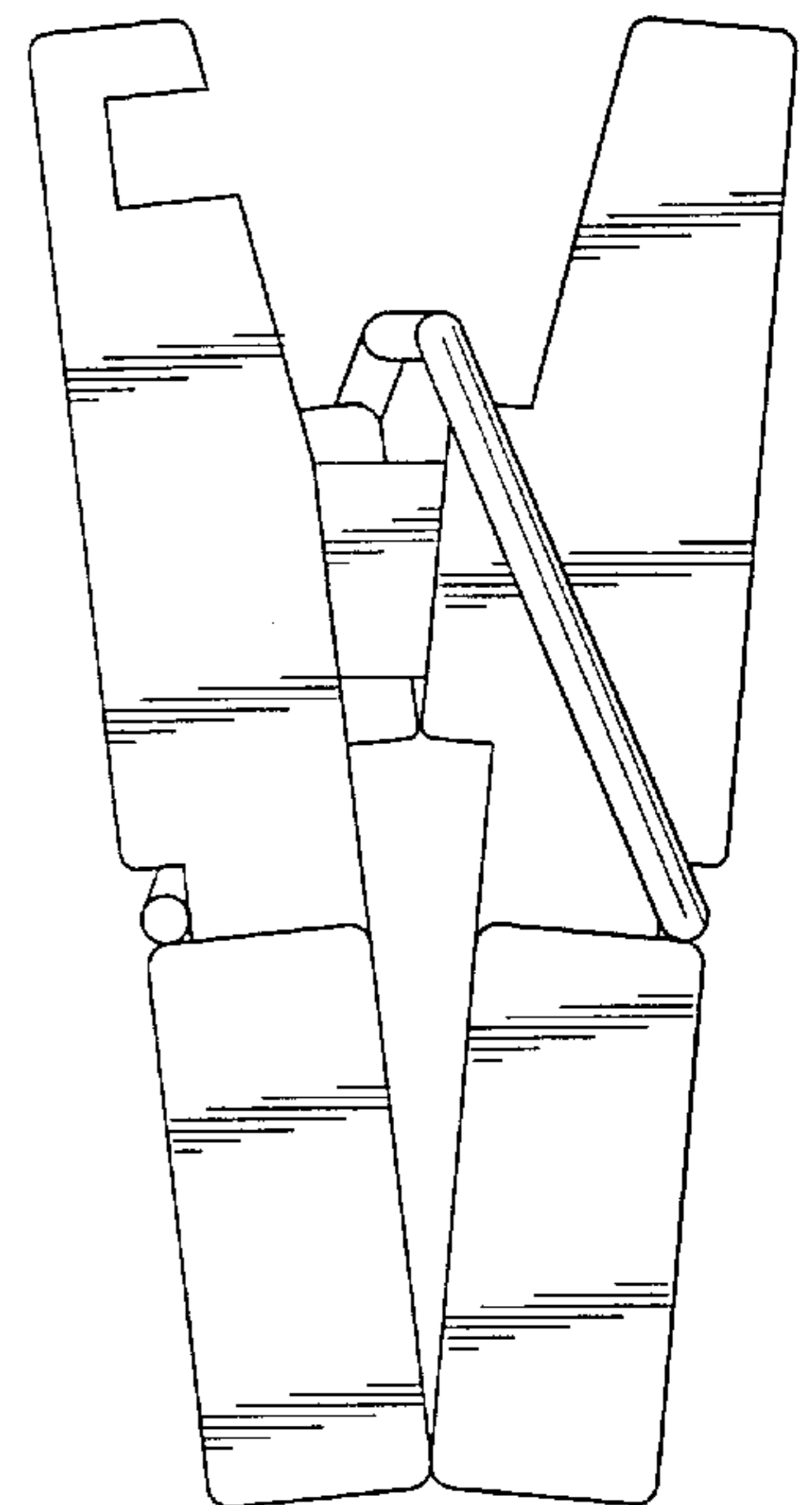
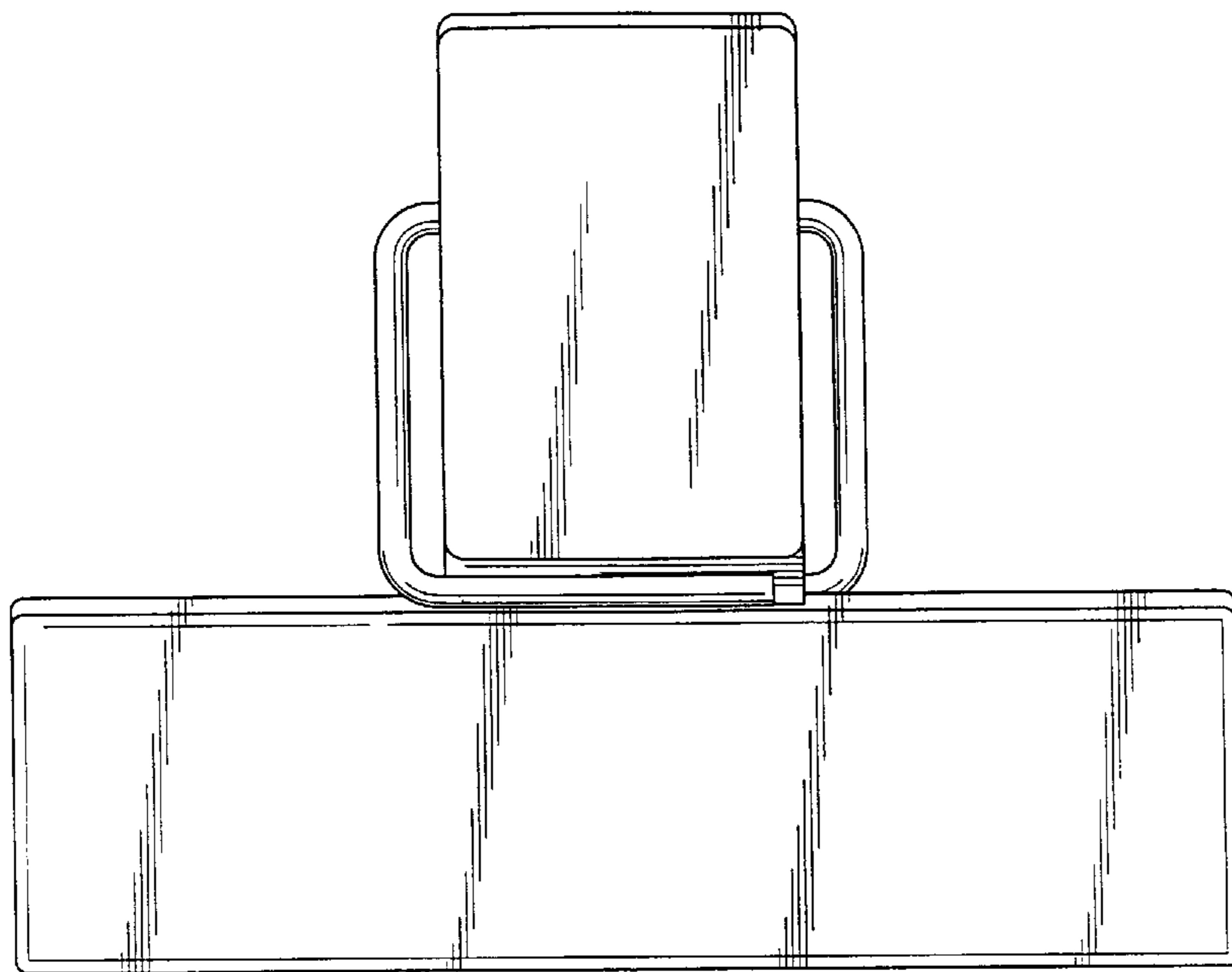
(57) **CLAIM**

The ornamental design for a clip, as shown and described.

DESCRIPTION

FIG. 1 is a front view of a clip showing my new design;
FIG. 2 is a rear view thereof;
FIG. 3 is a left view thereof;
FIG. 4 is a right view thereof;
FIG. 5 is a top view thereof; and,
FIG. 6 is a bottom view thereof.

1 Claim, 3 Drawing Sheets



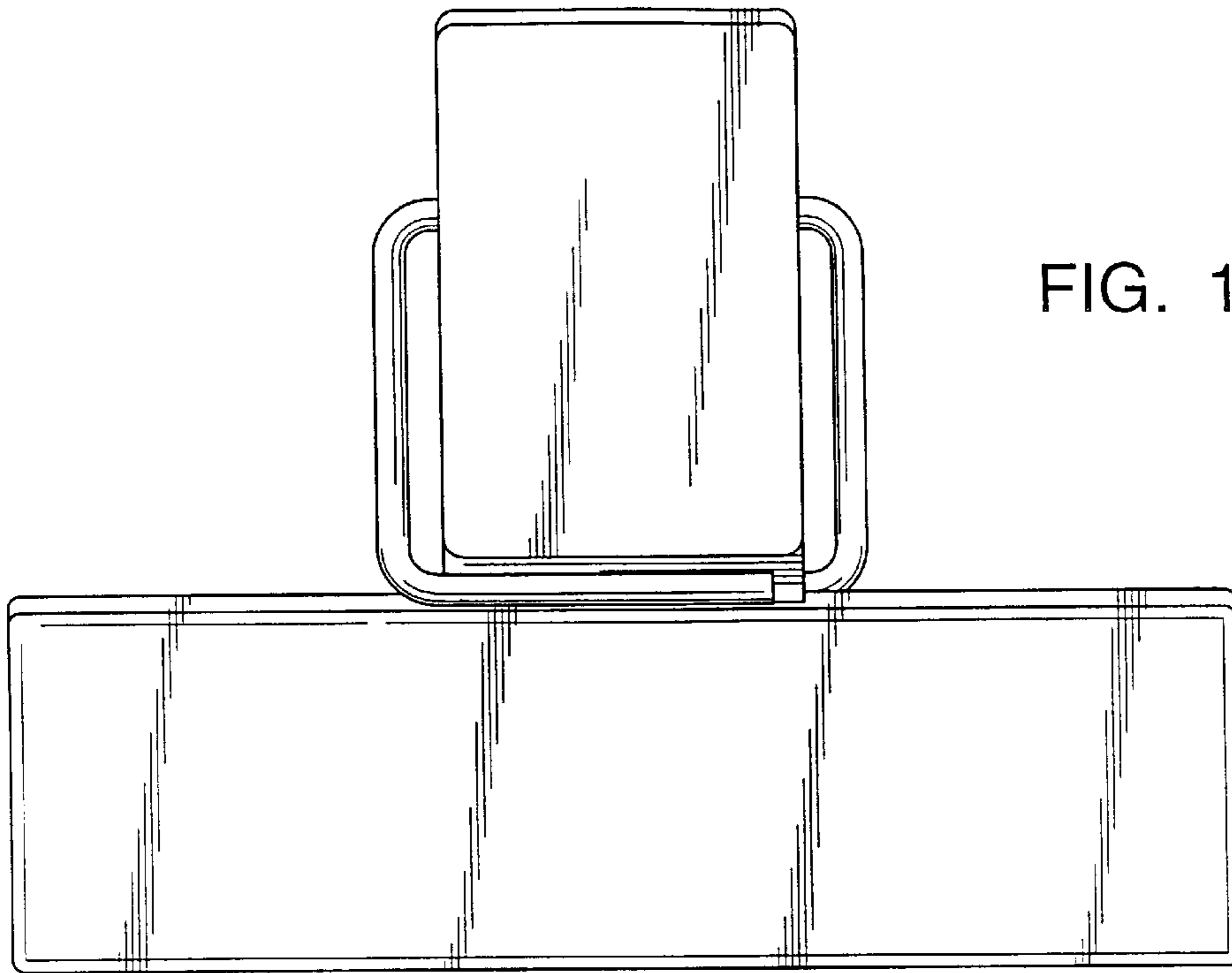


FIG. 1

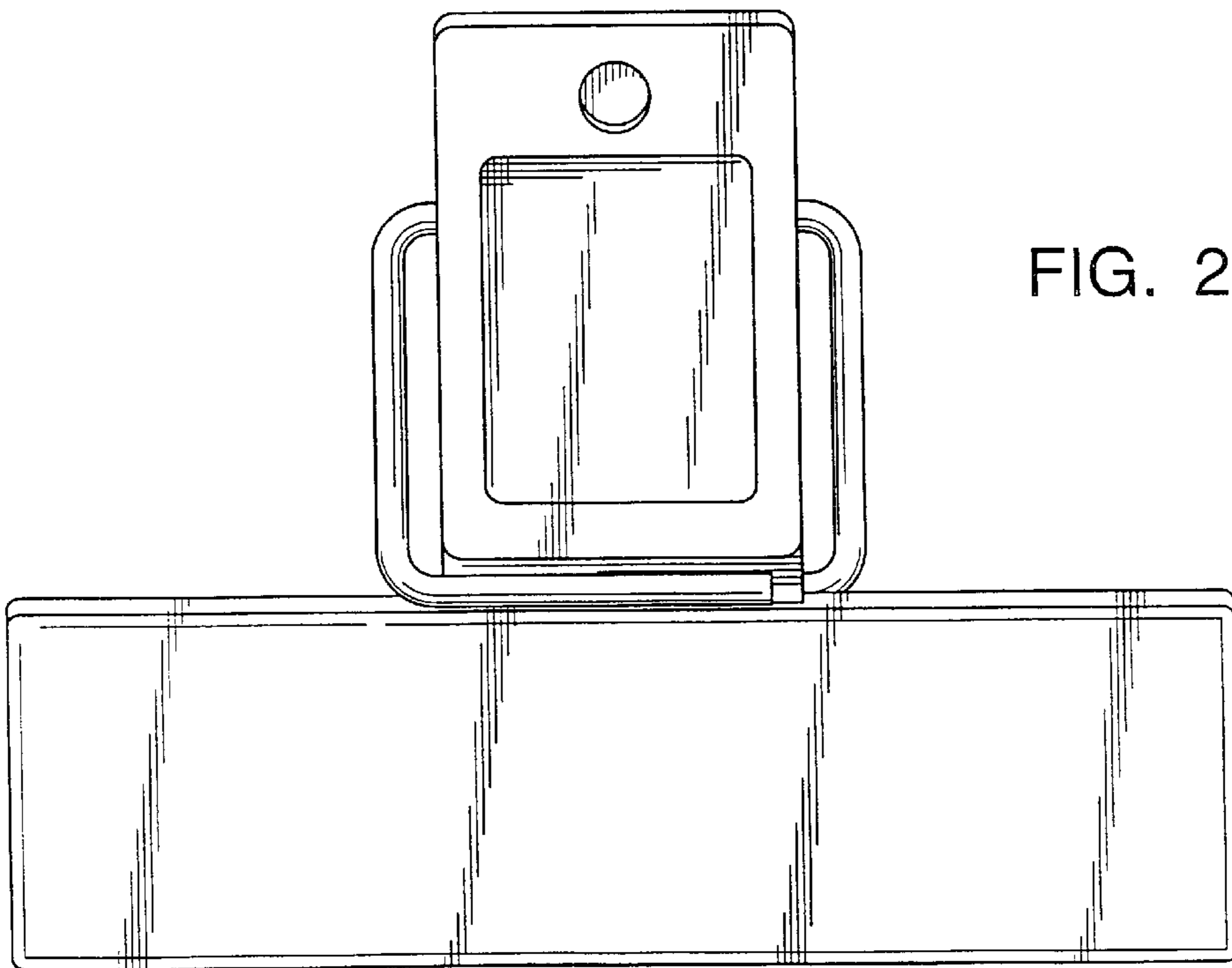


FIG. 2

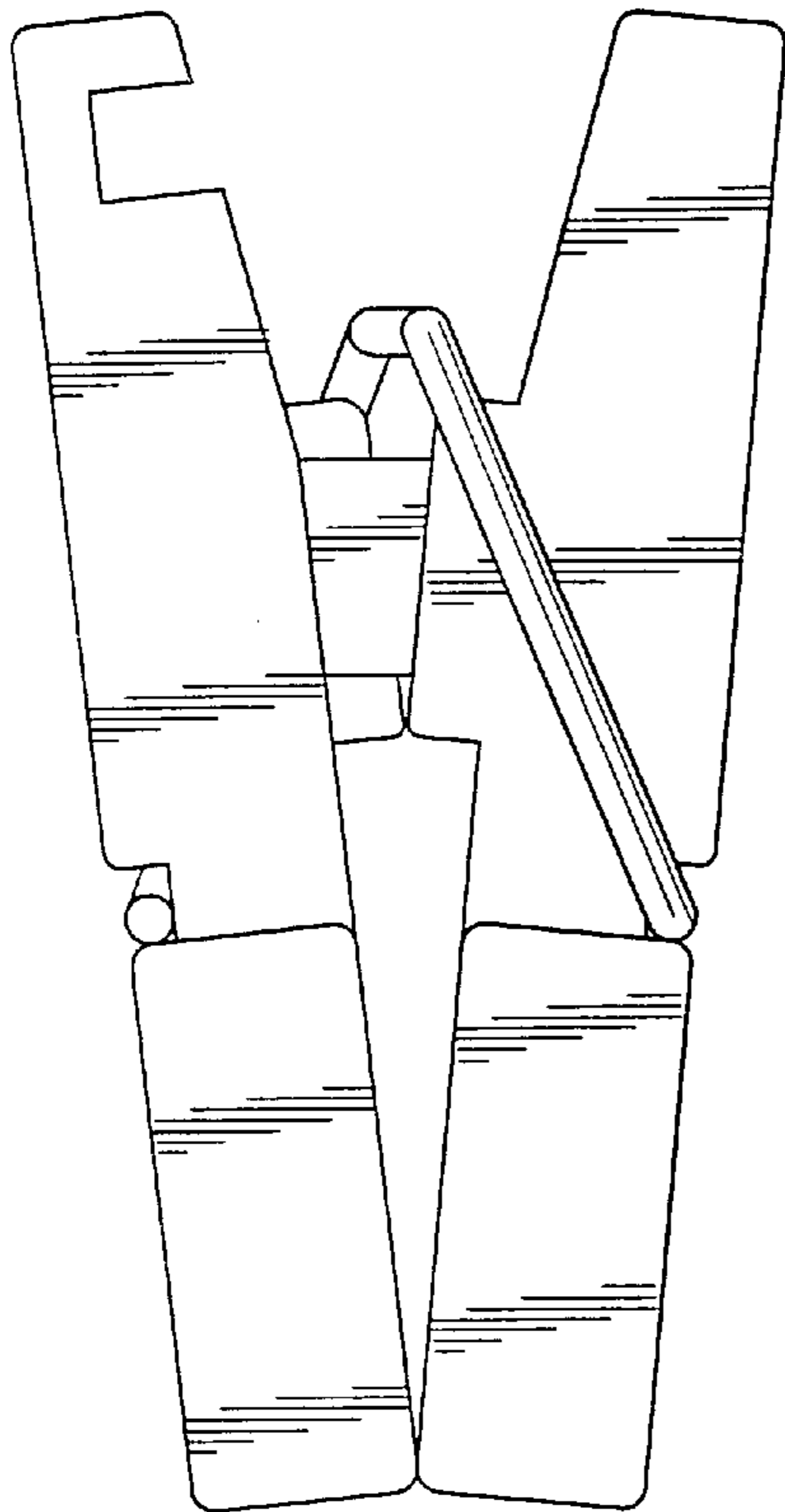


FIG. 3

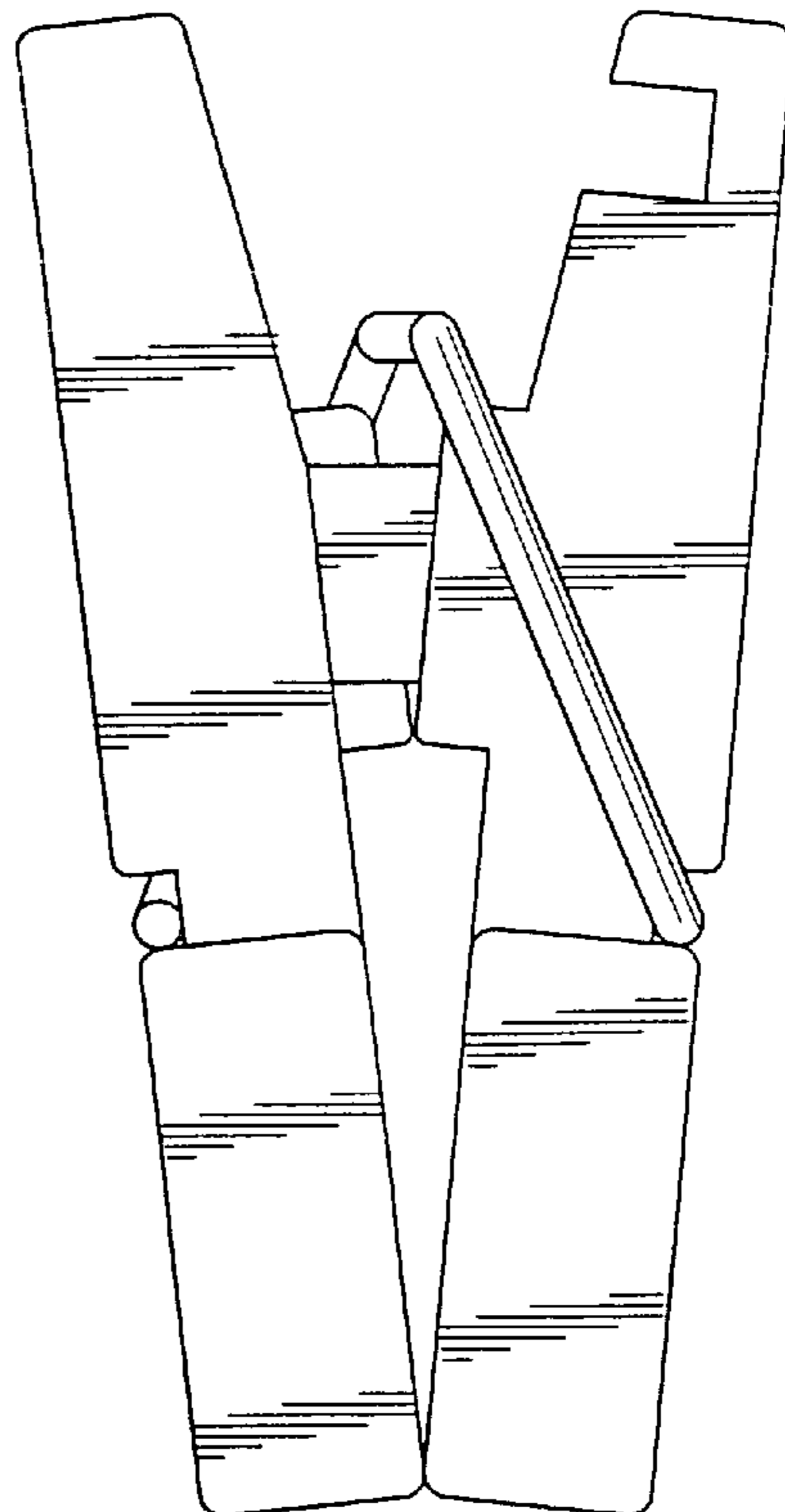


FIG. 4

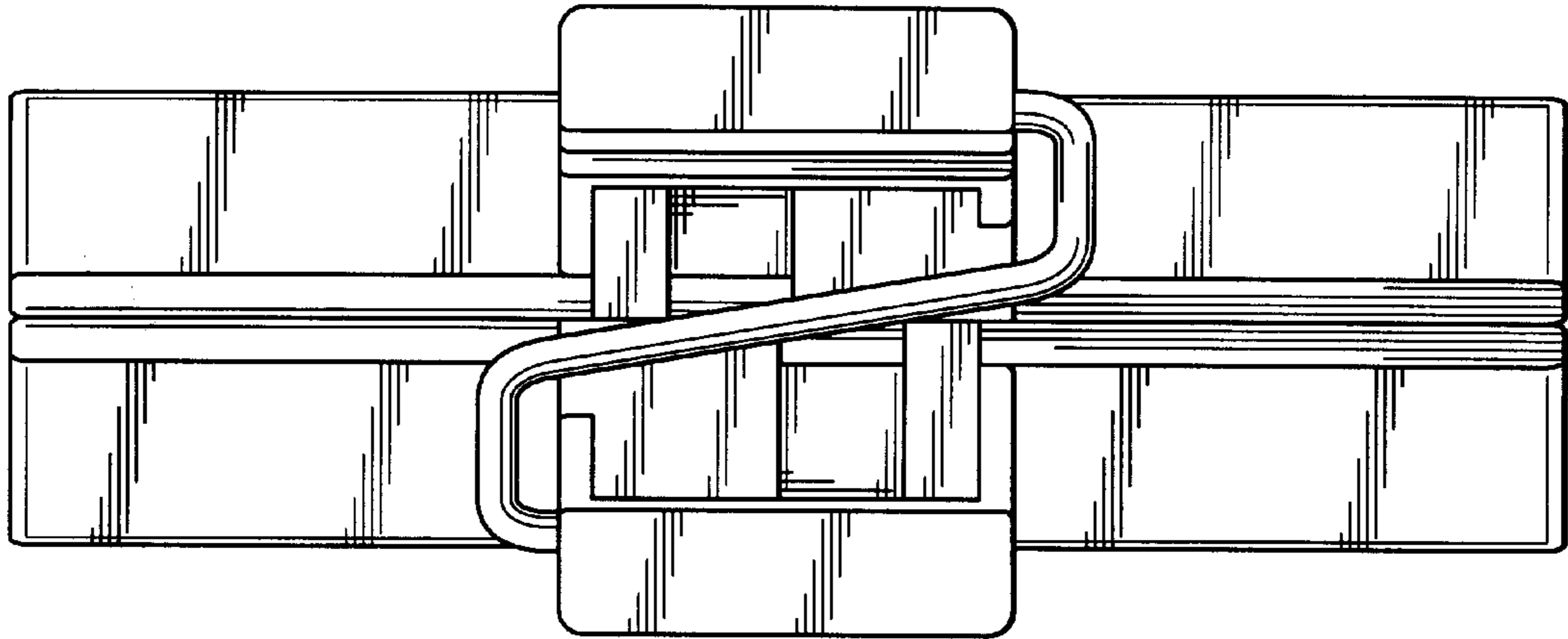


FIG. 5

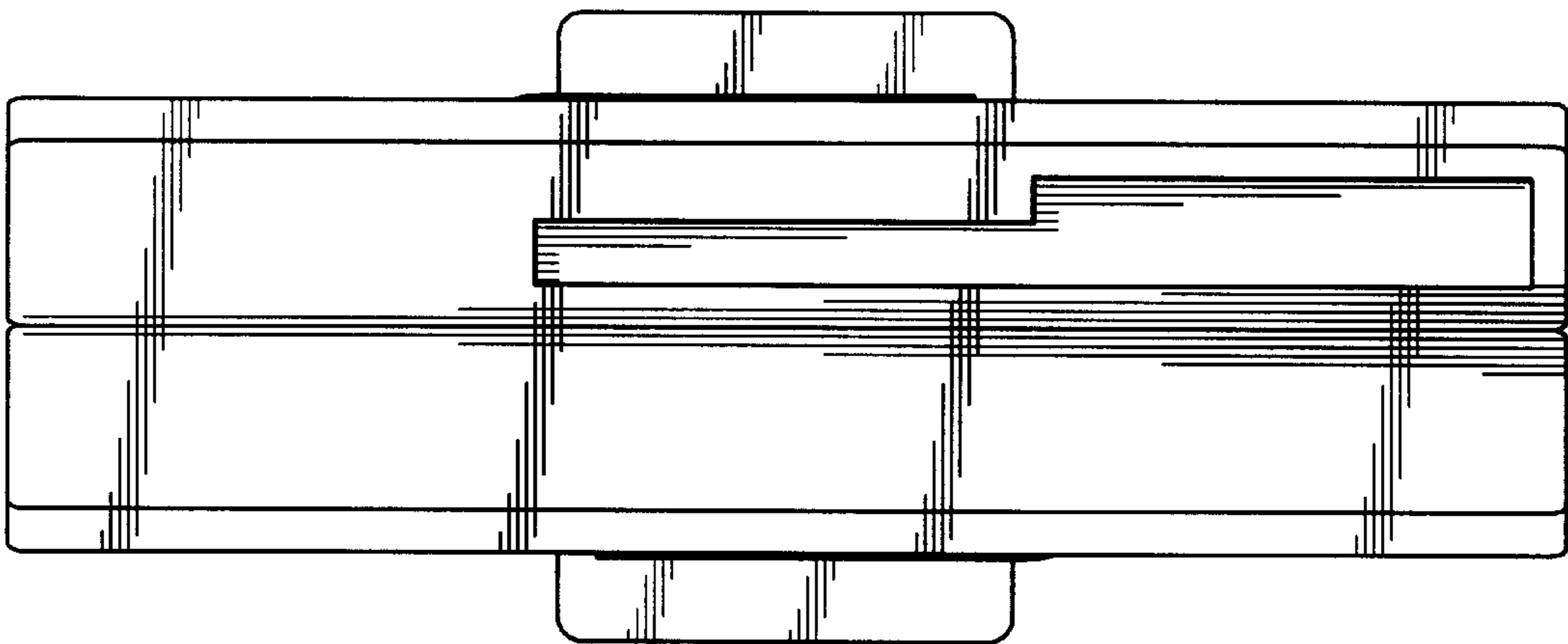


FIG. 6