



US00D440147S

(12) **United States Design Patent**
Rimback

(10) **Patent No.:** **US D440,147 S**

(45) **Date of Patent:** **** Apr. 10, 2001**

(54) **CLOTHES-HANGER SUPPORT**

(75) Inventor: **Peter A. Rimback**, Euclid, OH (US)

(73) Assignee: **Hanover Direct, Inc.**, Weehawken, NJ (US)

(**) Term: **14 Years**

(21) Appl. No.: **29/116,269**

(22) Filed: **Dec. 31, 1999**

(51) **LOC (7) Cl.** **08-05**

(52) **U.S. Cl.** **D8/363**

(58) **Field of Search** D8/363, 373; D6/327; 211/1.3, 123, 85.3

(56) **References Cited**

U.S. PATENT DOCUMENTS

D. 323,284	*	1/1992	Thompson	D8/363
1,607,148	*	11/1926	Davis	211/85.3
3,002,666	*	10/1961	Silverman	211/123
3,941,250		3/1976	Ott	.	

OTHER PUBLICATIONS

Advertisement for "Over-Door Hook", Product No. 172125. (date unknown).

* cited by examiner

Primary Examiner—Holly Baynham

(74) *Attorney, Agent, or Firm*—Thompson Hine & Flory LLP

(57) **CLAIM**

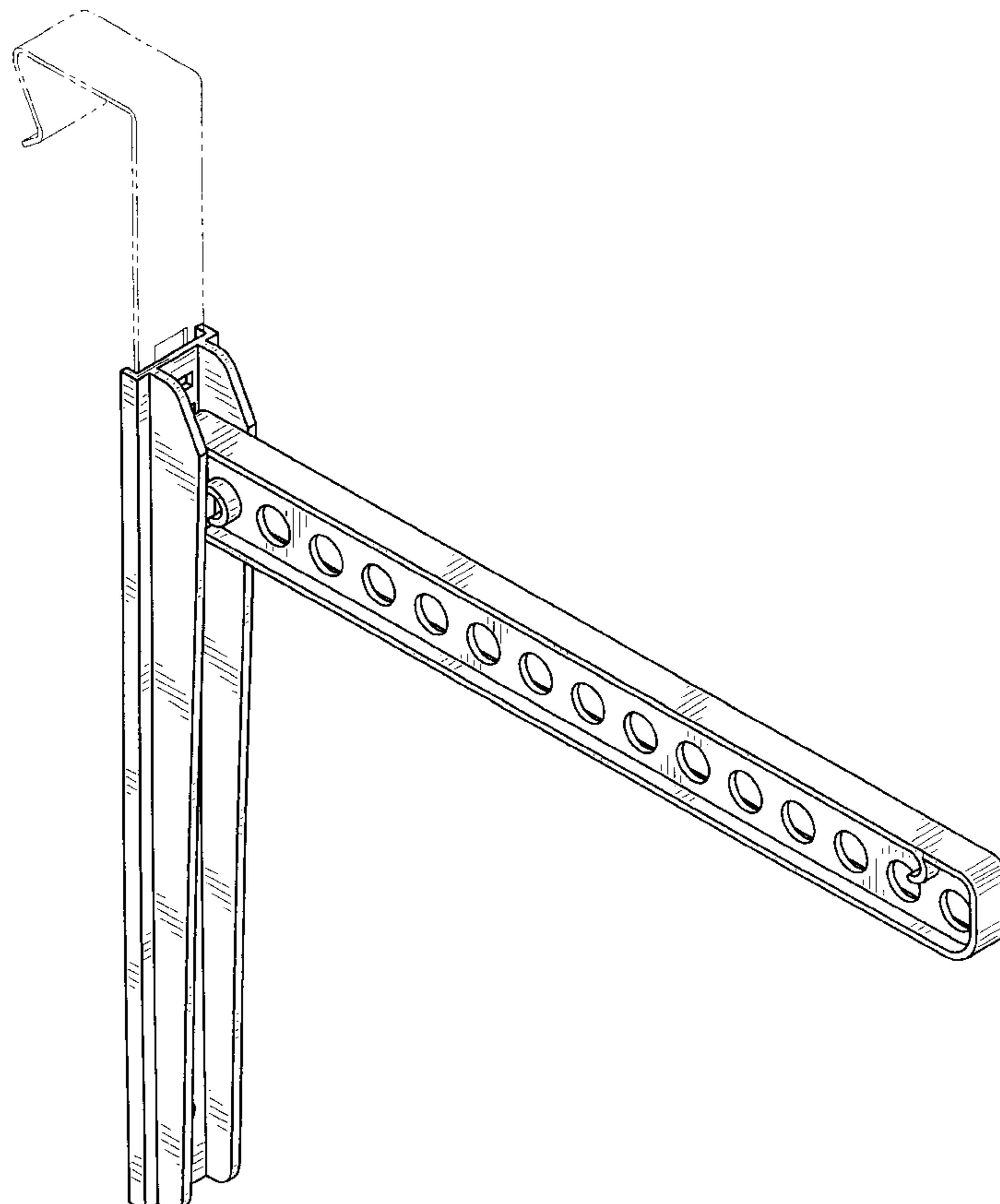
The ornamental design for the clothes-hanger support, as shown and described.

DESCRIPTION

FIG. 1 is a perspective view of the clothes hanger support, bearing the ornamental design of the invention;
 FIG. 2 is an elevational side view of the clothes hanger support, bearing the ornamental design of the invention;
 FIG. 3 is a top view of the clothes hanger support, bearing the ornamental design of the invention;
 FIG. 4 is a rear elevational view of the clothes hanger support, bearing the ornamental design of the invention;
 FIG. 5 is a front elevational view of the clothes hanger support, bearing the ornamental design of the invention;
 FIG. 6 is a bottom view of the clothes hanger support, bearing the ornamental design of the invention; and,
 FIG. 7 an elevational, opposite side view of the clothes hanger support, bearing the ornamental design of the invention.

The broken lines showing an over-the-door hook in the Figures are for illustrative purposes only and form no part of the claimed design.

1 Claim, 4 Drawing Sheets



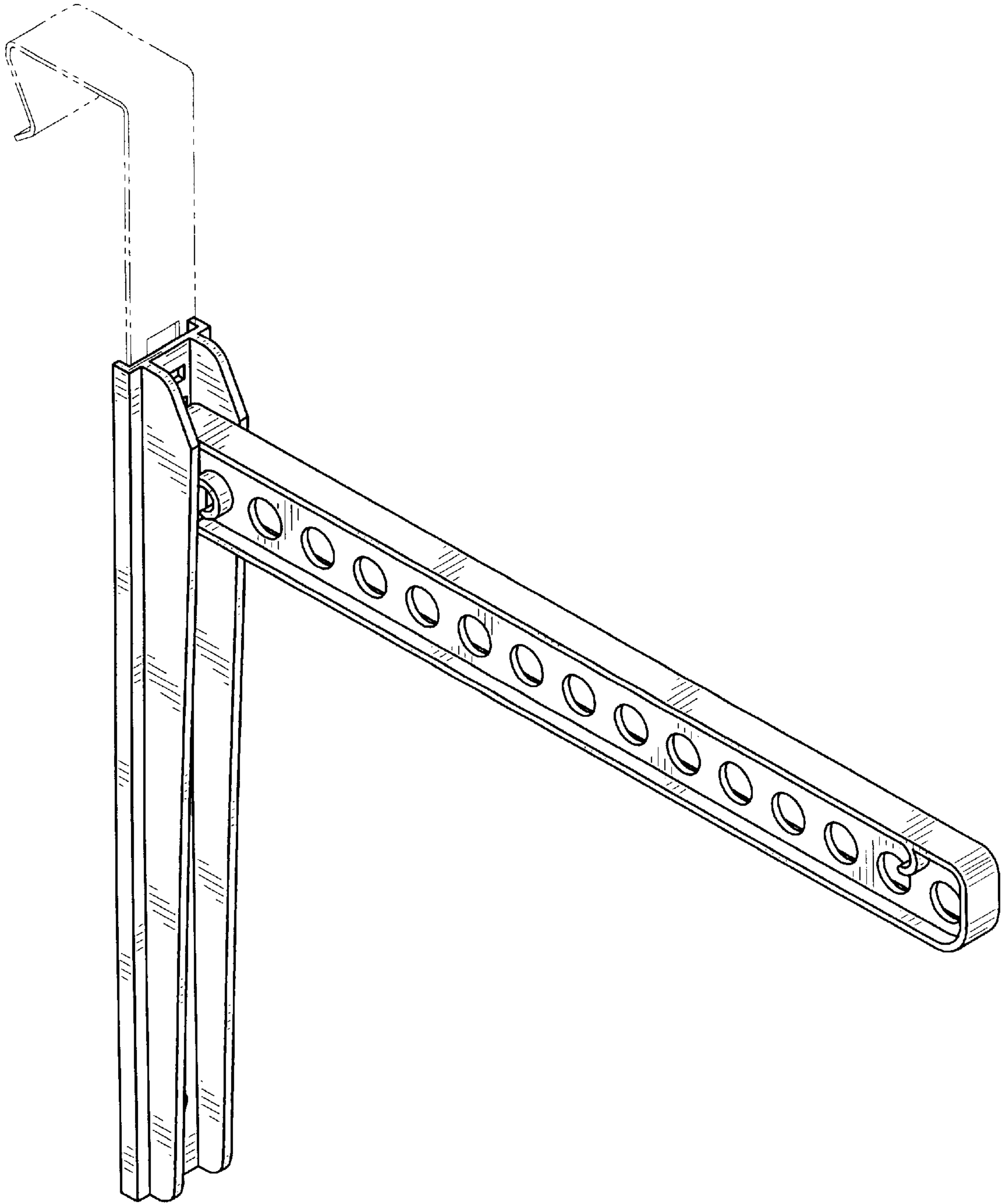


FIG. 1

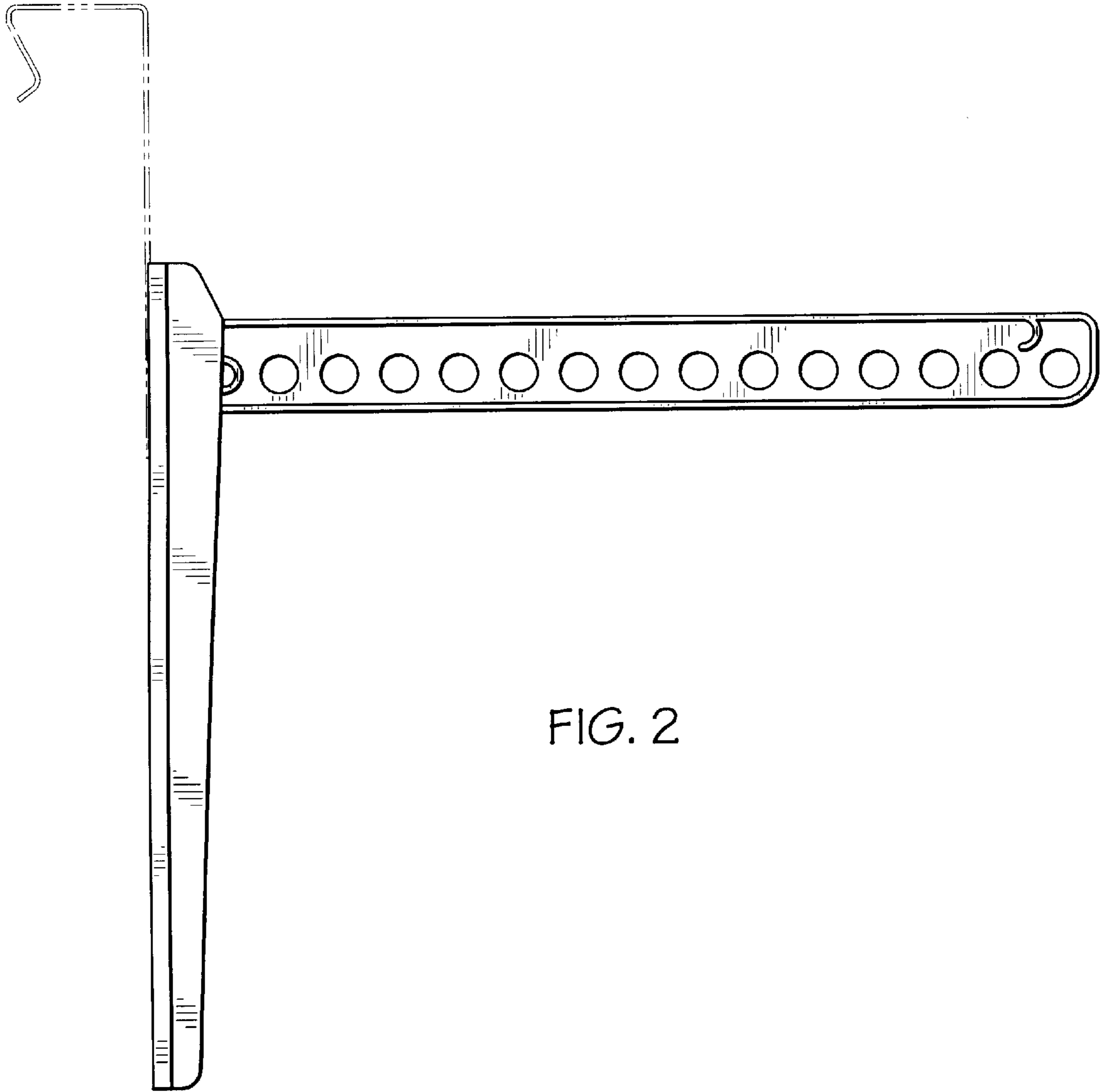


FIG. 2

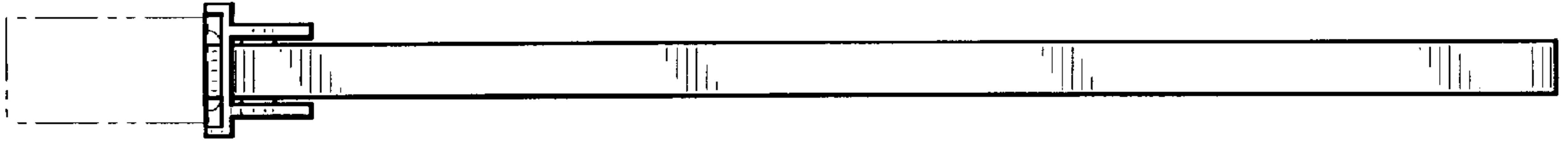


FIG. 3

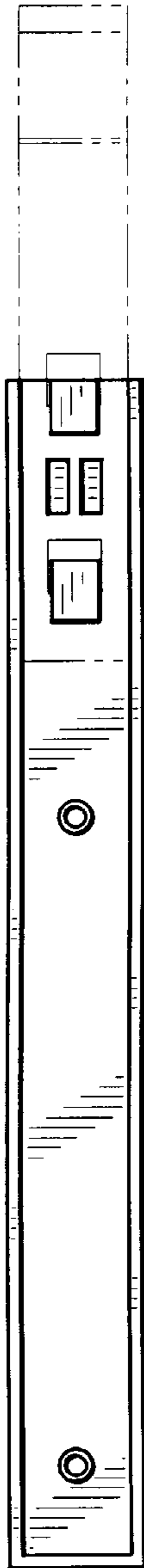


FIG. 4

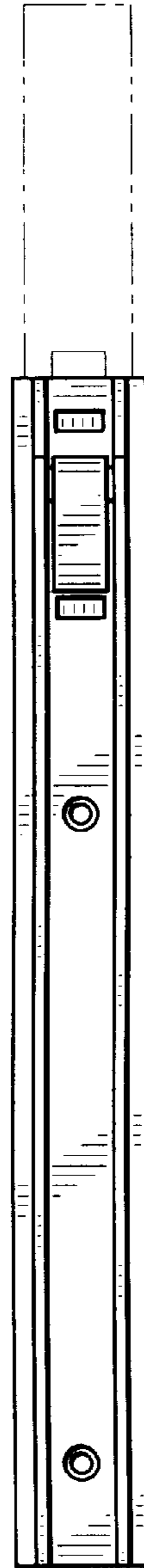


FIG. 5

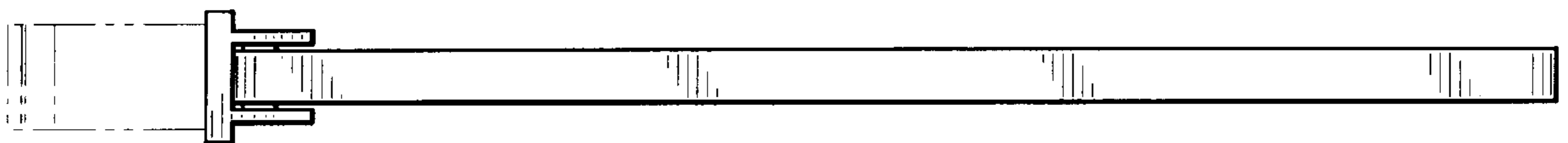


FIG. 6

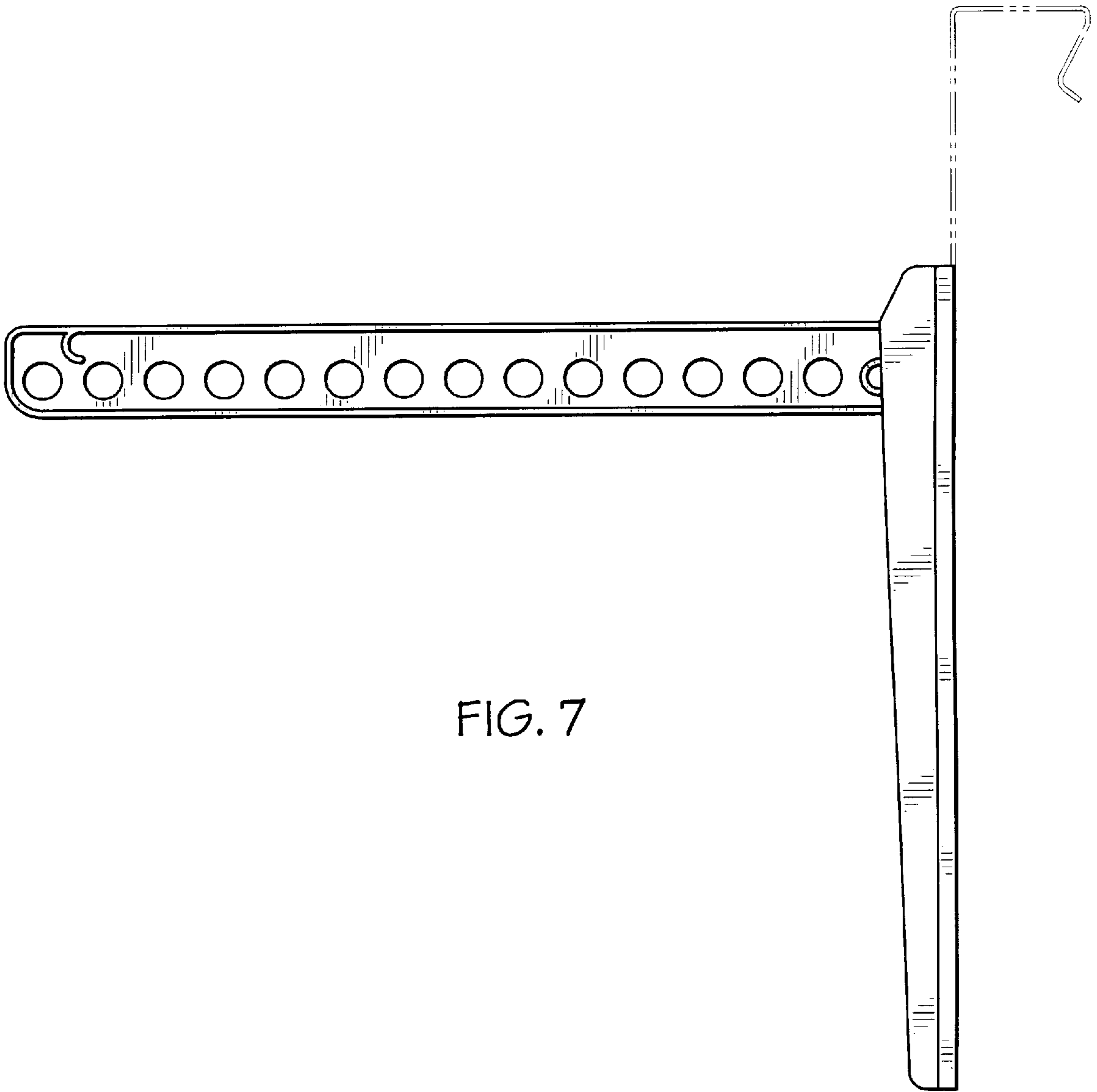


FIG. 7

UNITED STATES PATENT AND TRADEMARK OFFICE
CERTIFICATE OF CORRECTION

PATENT NO. : Des 440,147 S
DATED : April 10, 2001
INVENTOR(S) : Peter D. Rimback

Page 1 of 1

It is certified that error appears in the above-identified patent and that said Letters Patent is hereby corrected as shown below:

Title page,
Inventor middle initial "A" should be -- D --.

Signed and Sealed this
Sixteenth Day of October, 2001

Attest:

Nicholas P. Godici

Attesting Officer

NICHOLAS P. GODICI
Acting Director of the United States Patent and Trademark Office