



US00D440140S

(12) **United States Design Patent**  
**Shiao**

(10) **Patent No.:** **US D440,140 S**

(45) **Date of Patent:** **\*\* Apr. 10, 2001**

(54) **DRIVING TOOL**

(76) **Inventor:** **Hsuan-Sen Shiao**, No. 15-1, Lane 369,  
Min-Chuan Rd., Taichung City (TW)

(\*\*) **Term:** **14 Years**

(21) **Appl. No.:** **29/120,843**

(22) **Filed:** **Mar. 28, 2000**

(51) **LOC (7) Cl.** ..... **08-04**

(52) **U.S. Cl.** ..... **D8/82; D8/83**

(58) **Field of Search** ..... D8/82, 83, 84,  
D8/85, 86, 87, 107; 81/177.1, 436, 437,  
438, 439, 489; 16/110 R

(56) **References Cited**

**U.S. PATENT DOCUMENTS**

D. 372,411	*	8/1996	Ho	.....	D8/83
D. 382,188	*	8/1997	Lin	.....	D8/83
D. 383,660	*	9/1997	Anderson	.....	D8/83
D. 398,508	*	9/1998	Thompson et al.	.....	D8/83
D. 404,277	*	1/1999	Shiao	.....	D8/85

D. 408,252	*	4/1999	Holland-Letz	.....	D8/83
D. 408,253	*	4/1999	Rowlay	.....	D8/83
D. 412,096	*	7/1999	Kung et al.	.....	D8/83
D. 421,888	*	3/2000	Thompson et al.	.....	D8/83

\* cited by examiner

*Primary Examiner*—Philip S. Hyder

(74) *Attorney, Agent, or Firm*—Baker Botts L.L.P.

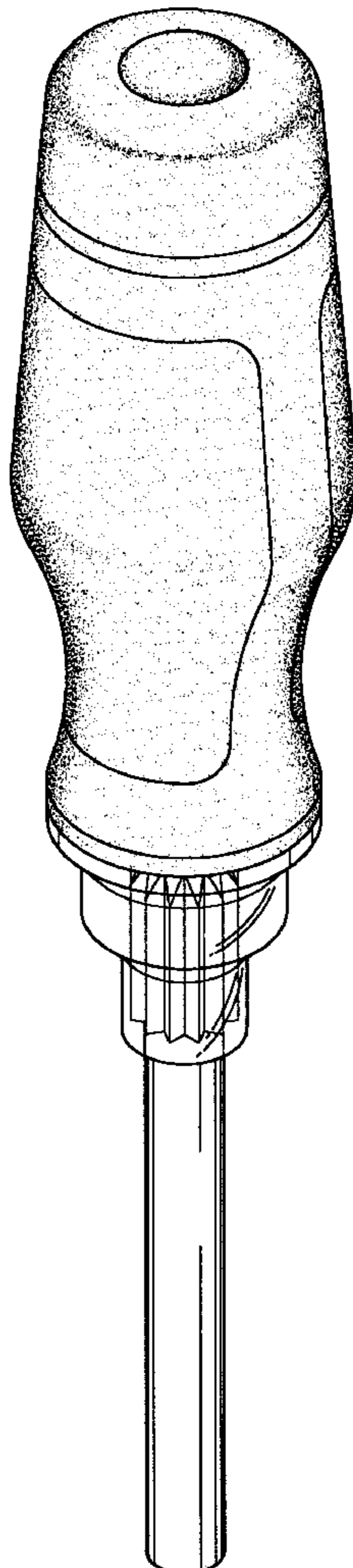
(57) **CLAIM**

The ornamental design for a driving tool, as shown and described.

**DESCRIPTION**

FIG. 1 is a perspective view of a driving tool showing my new design;  
 FIG. 2 is a left side elevational view thereof;  
 FIG. 3 is a right side elevational view thereof;  
 FIG. 4 is a front elevational view thereof;  
 FIG. 5 is a rear elevational view thereof;  
 FIG. 6 is a top plan view thereof; and,  
 FIG. 7 is a bottom plan view thereof.

**1 Claim, 4 Drawing Sheets**



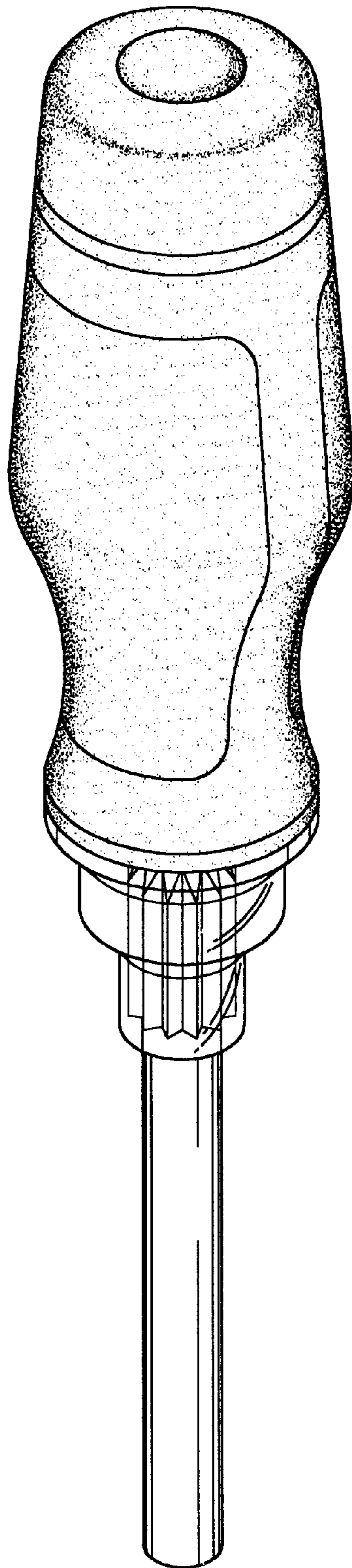


FIG. 1

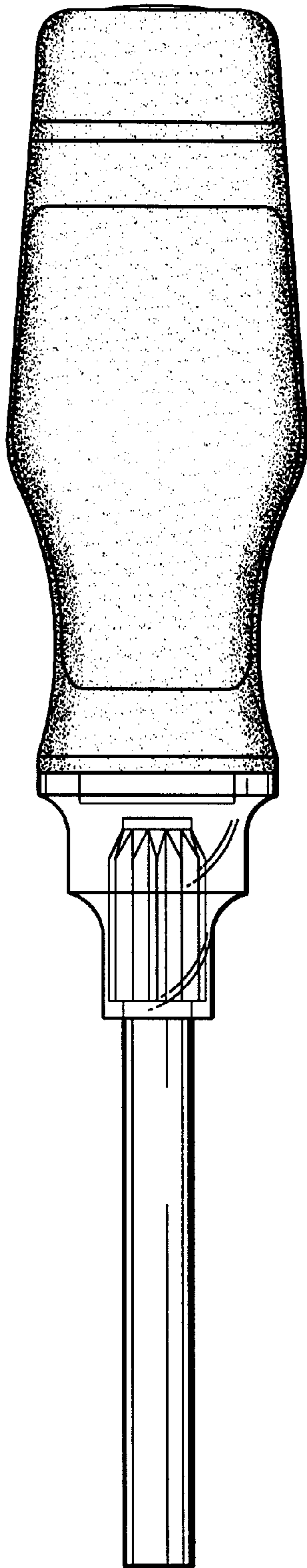


FIG. 2

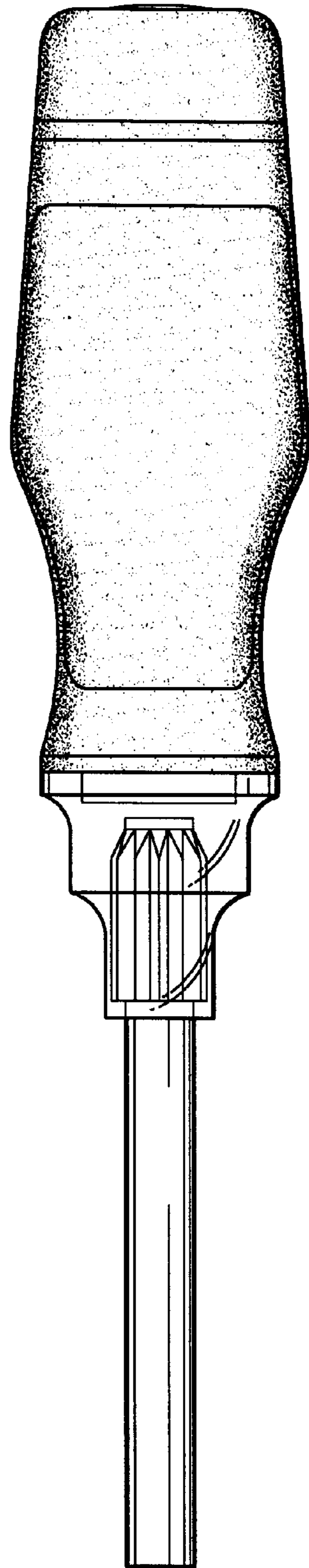


FIG. 3

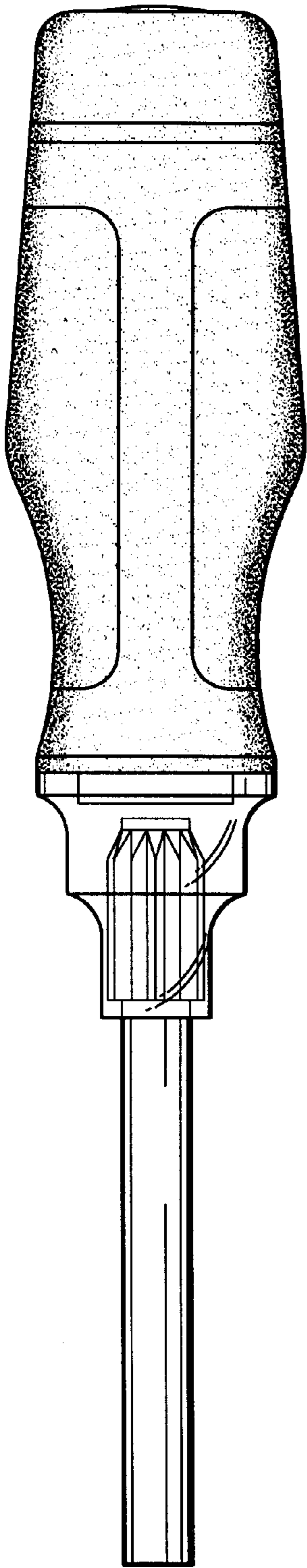


FIG. 4

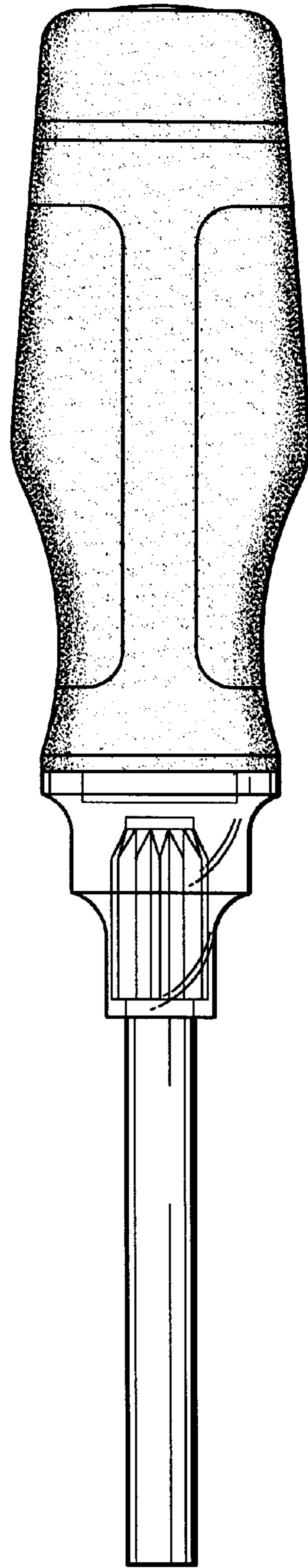


FIG. 5

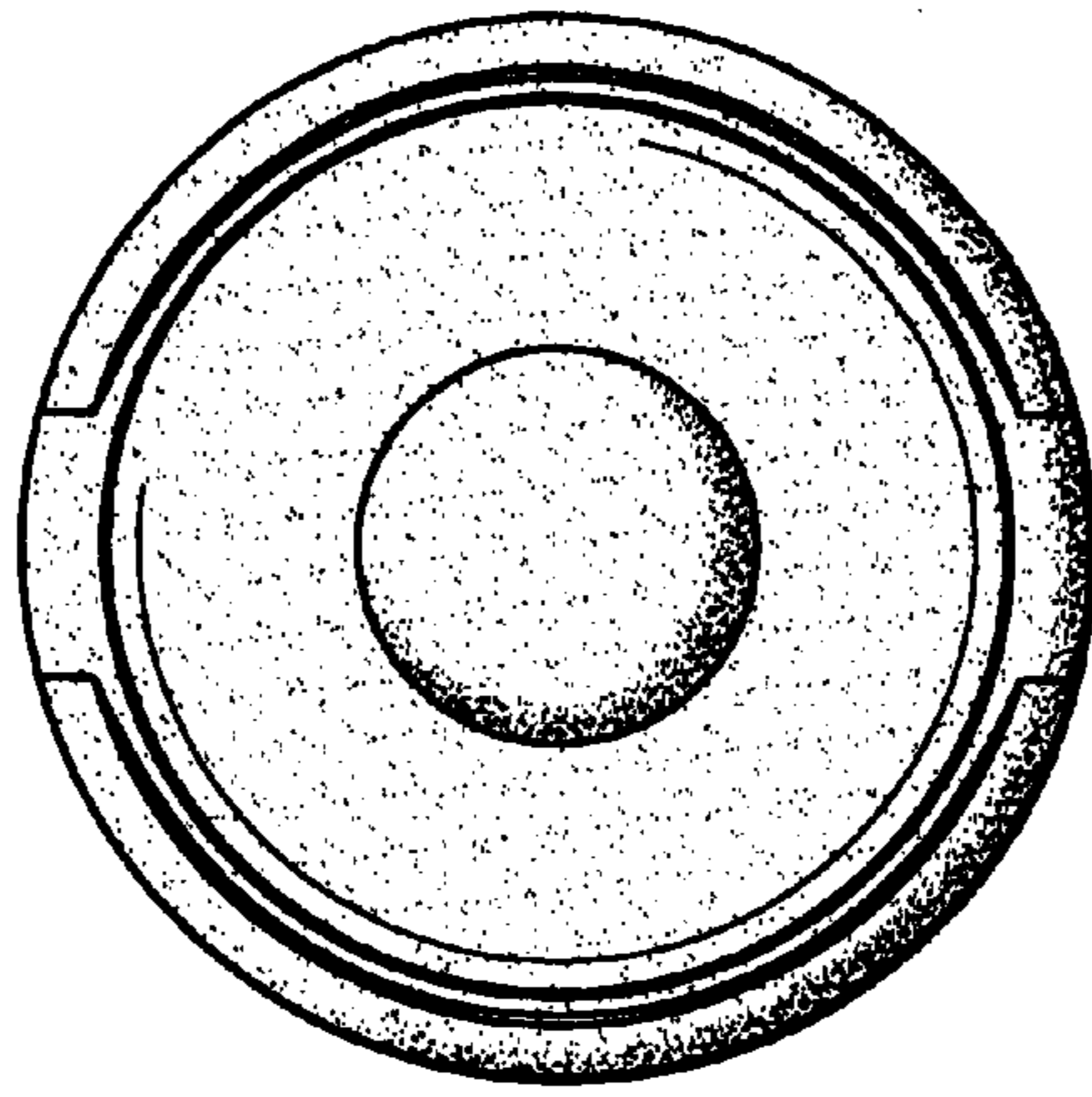


FIG. 6

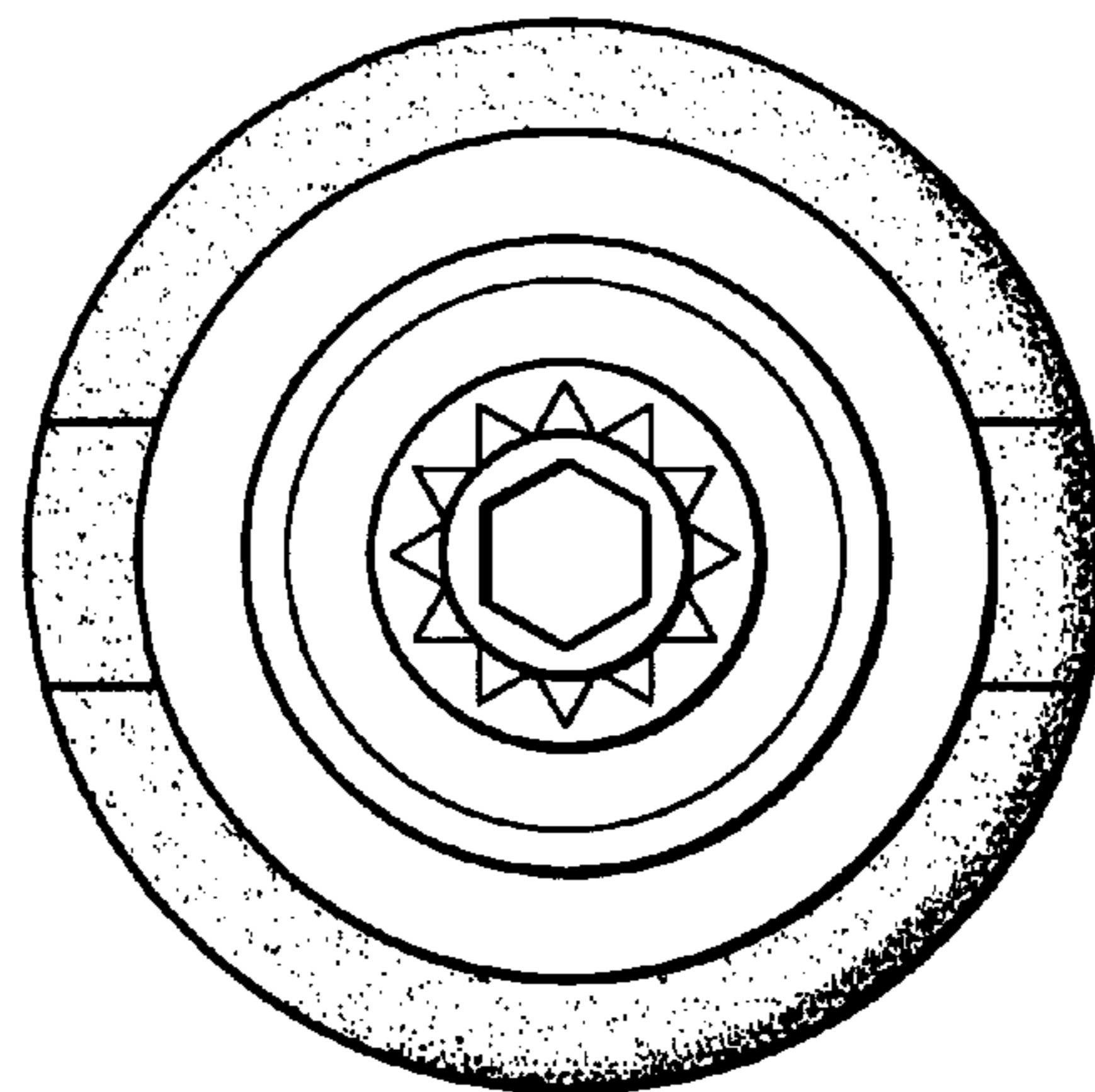


FIG. 7