



US00D440139S

(12) **United States Design Patent**
Michell

(10) **Patent No.:** **US D440,139 S**

(45) **Date of Patent:** **** Apr. 10, 2001**

(54) **ADJUSTABLE BAR CLAMP**

6,029,964 * 2/2000 Bohl 269/6

(76) Inventor: **Steven W. Michell**, Box 488, Canoe,
British Columbia (CA), V0K 1K0

FOREIGN PATENT DOCUMENTS

2178689A 2/1987 (GB) .
2204264A 11/1988 (GB) .

(**) Term: **14 Years**

* cited by examiner

(21) Appl. No.: **29/125,398**

Primary Examiner—Raphael Barkai

(22) Filed: **Jun. 22, 2000**

(74) *Attorney, Agent, or Firm*—Antony C. Edwards

(51) **LOC (7) Cl.** **08-05**

(57) **CLAIM**

(52) **U.S. Cl.** **D8/72**

The ornamental design for an adjustable bar clamp, as shown.

(58) **Field of Search** D8/71-74; 269/6

(56) **References Cited**

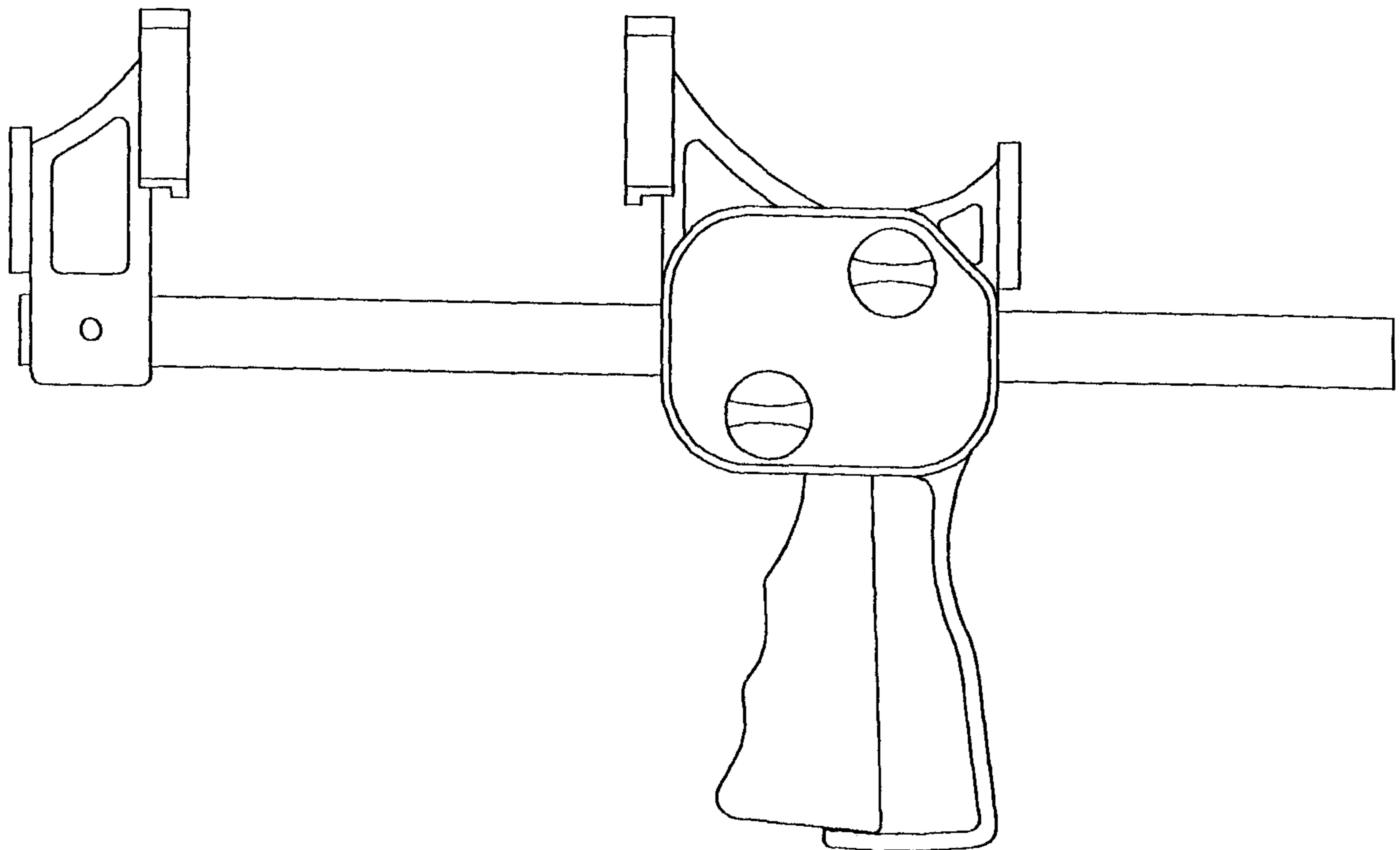
DESCRIPTION

U.S. PATENT DOCUMENTS

- D. 320,919 * 10/1991 Sorensen D8/72
- D. 328,846 * 8/1992 Sorensen D8/72
- D. 355,104 2/1995 Sorensen et al. .
- D. 366,819 2/1996 Wooster, Jr. et al. .
- D. 366,820 * 2/1996 Wooster, Jr. et al. D8/72
- D. 416,183 * 11/1999 Tyski D8/72
- D. 417,377 12/1999 Blank et al. .
- 3,096,975 7/1963 Irwin .
- 4,926,722 5/1990 Sorensen et al. .
- 5,222,420 * 6/1993 Sorensen et al. 269/6

FIG. 1 is a right side elevation view of an adjustable bar clamp showing my new design;
 FIG. 2 is an enlarged right side elevation view thereof with an end portion of the adjustable bar clamp removed;
 FIG. 3 is a rear elevation view thereof;
 FIG. 4 is a front elevation view thereof;
 FIG. 5 is a top plan view thereof;
 FIG. 6 is a bottom plan view thereof; and,
 FIG. 7 is a left side elevation view of FIG. 2 thereof.

1 Claim, 5 Drawing Sheets



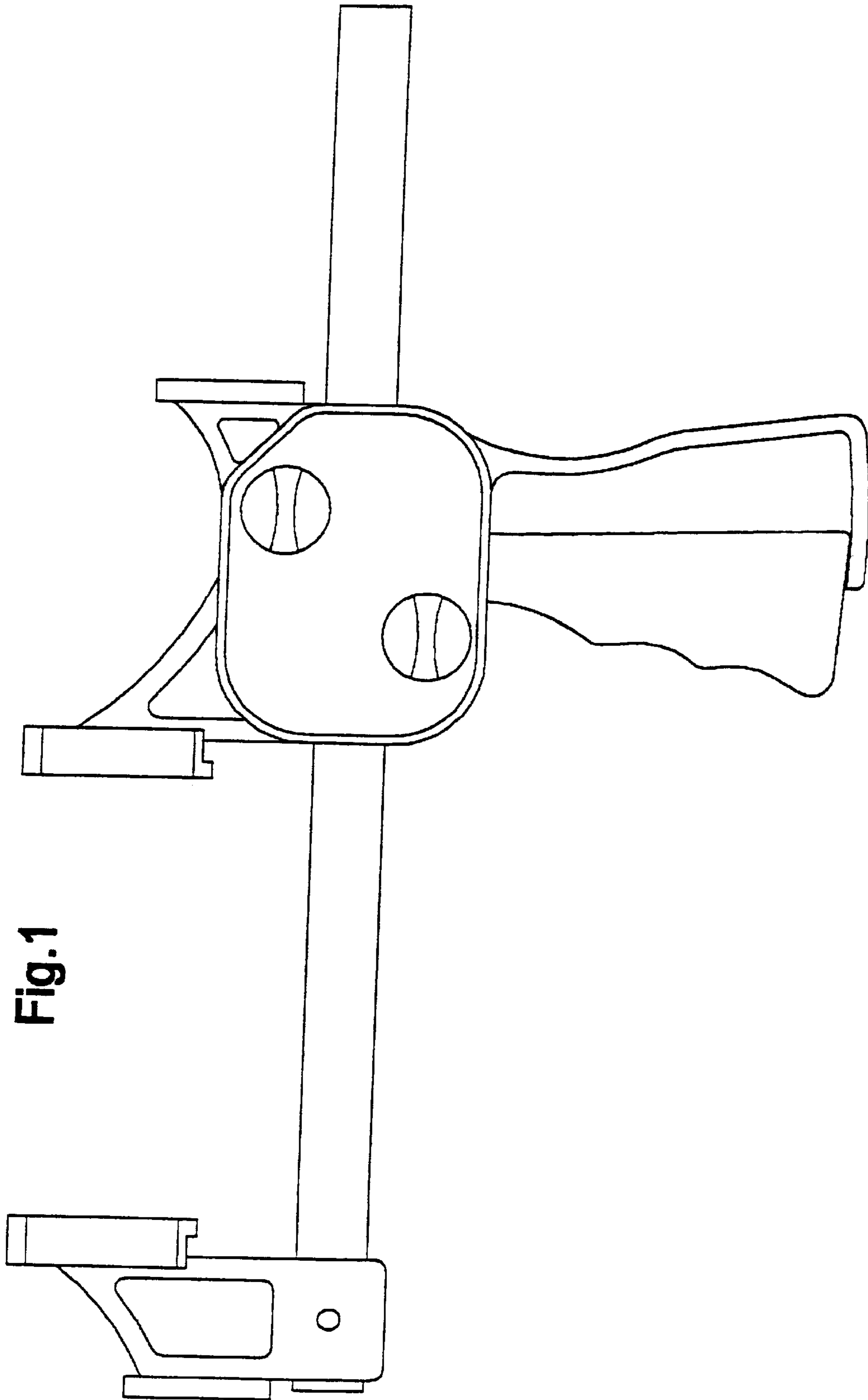


Fig. 1

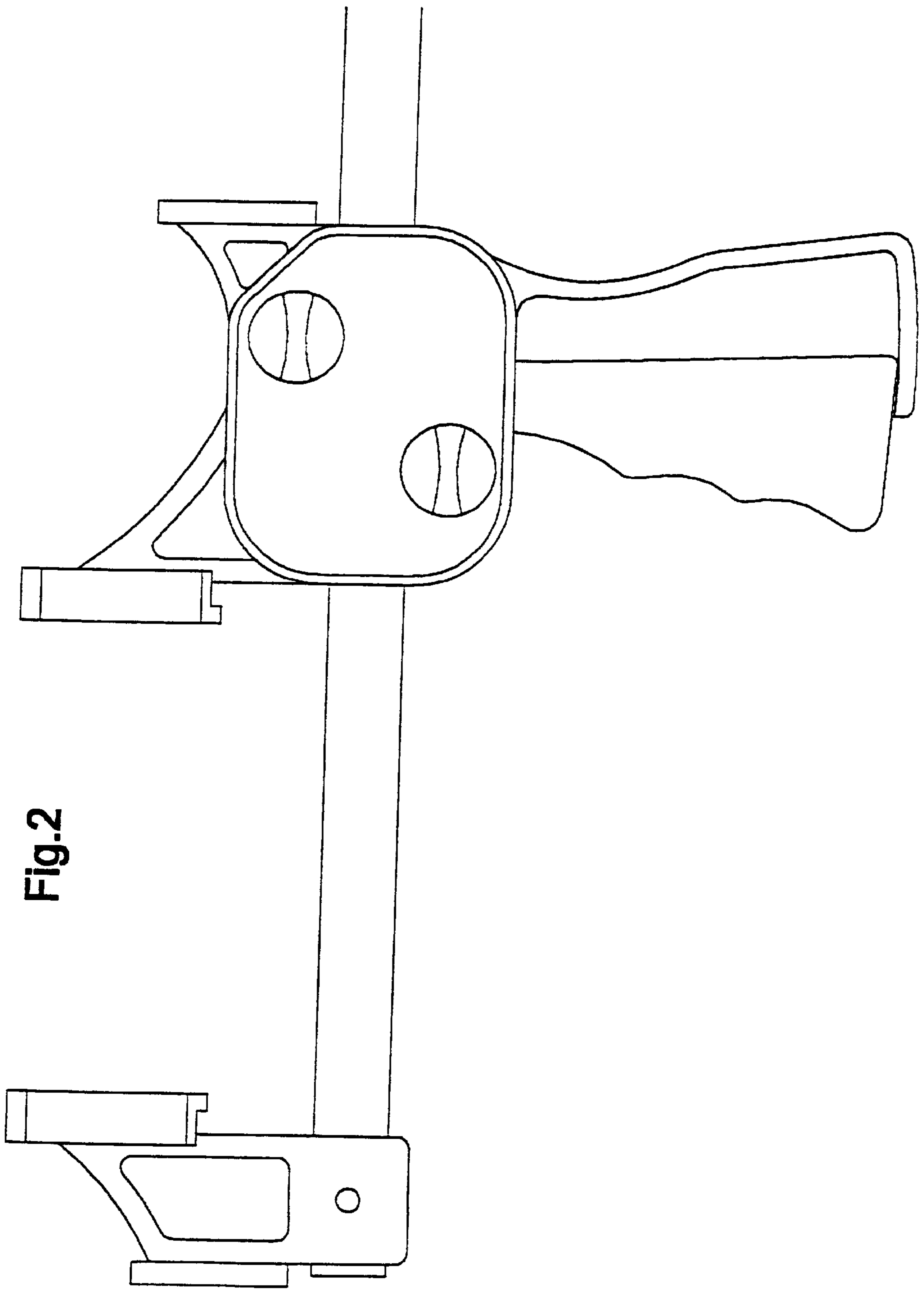


Fig.2

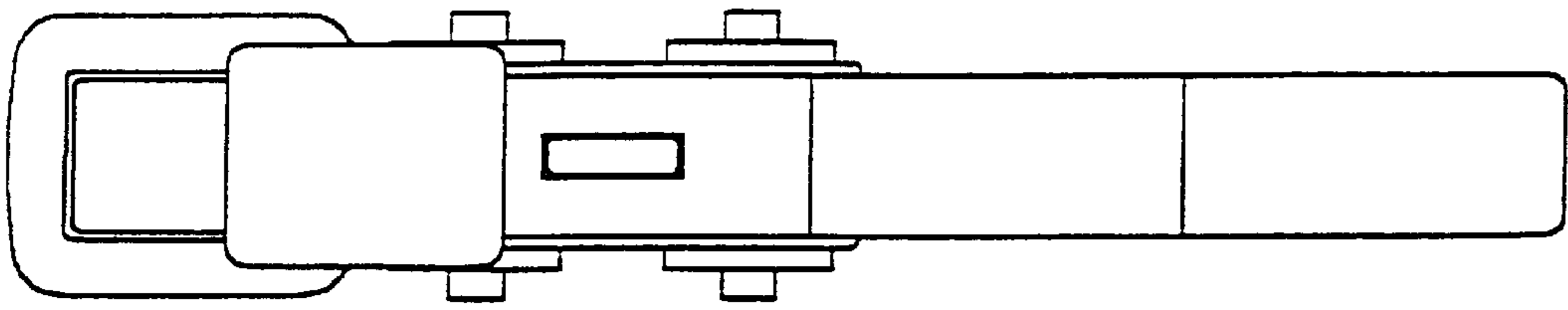


Fig.4

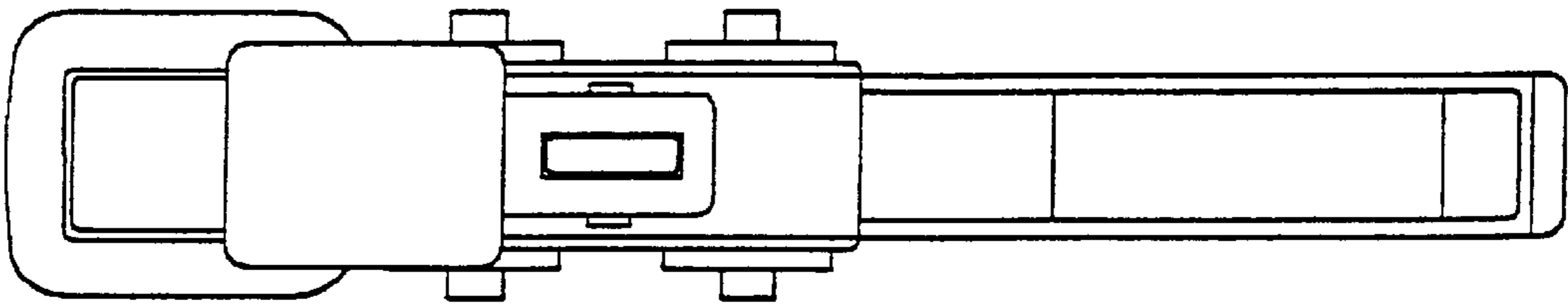


Fig.3

Fig.5

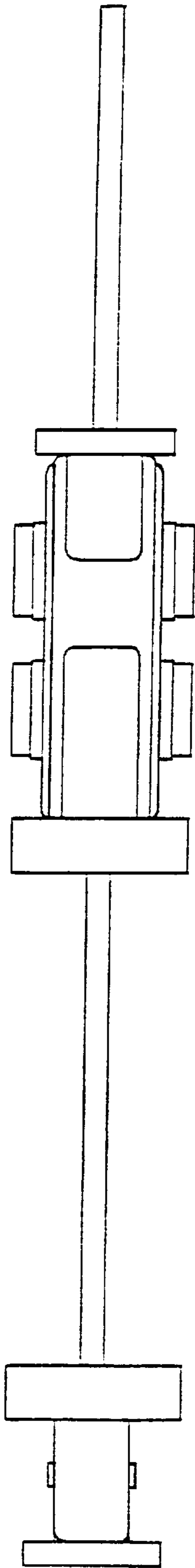
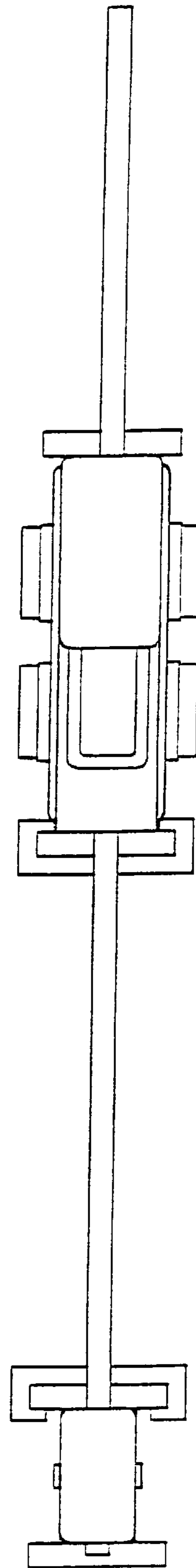


Fig.6



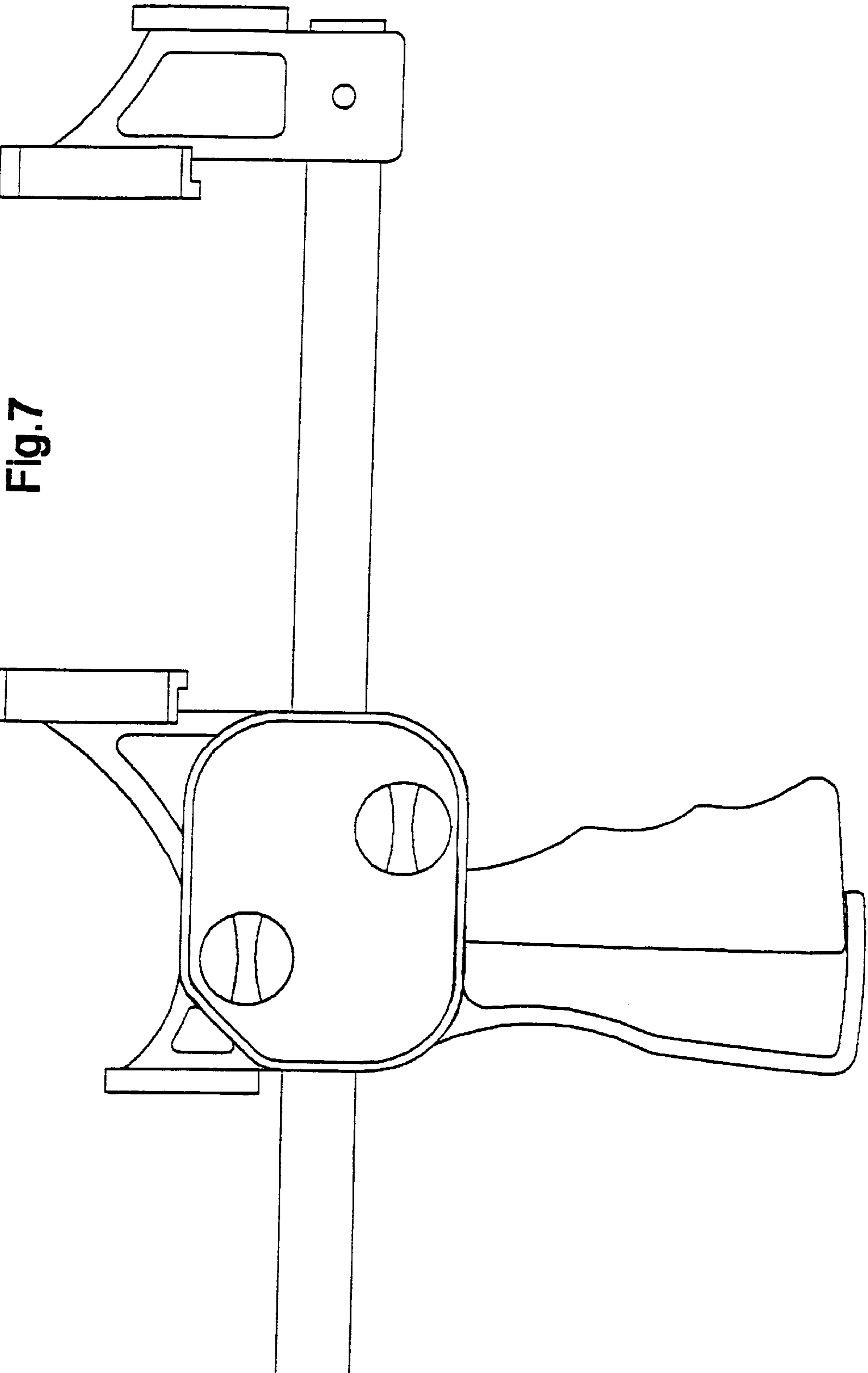


Fig.7