



US00D440138S

(12) **United States Design Patent**
Campbell

(10) **Patent No.:** **US D440,138 S**

(45) **Date of Patent:** **** Apr. 10, 2001**

(54) **BALL LOCK PUNCH RETAINER**

(75) Inventor: **Jerry W. Campbell**, Lexington, NC
(US)

(73) Assignee: **Lane Punch Corporation**, Salisbury,
NC (US)

(**) Term: **14 Years**

(21) Appl. No.: **29/120,661**

(22) Filed: **Mar. 23, 2000**

(51) **LOC (7) Cl.** **08-05**

(52) **U.S. Cl.** **D8/71; 15/140**

(58) **Field of Search** **D15/140; D8/71;**
83/698.31, 698.91; 279/79

(56) **References Cited**

U.S. PATENT DOCUMENTS

D. 218,910	*	10/1970	Gargrave	D15/140
D. 351,395	*	10/1994	Moellering	D15/140
5,181,438	*	1/1993	Wellman	.	
5,357,835	*	10/1994	Moellering	83/698.91
5,410,932	*	5/1995	Moellering	279/79

* cited by examiner

Primary Examiner—Raphael Barkai

(74) *Attorney, Agent, or Firm*—Dougherty & Clements
LLP

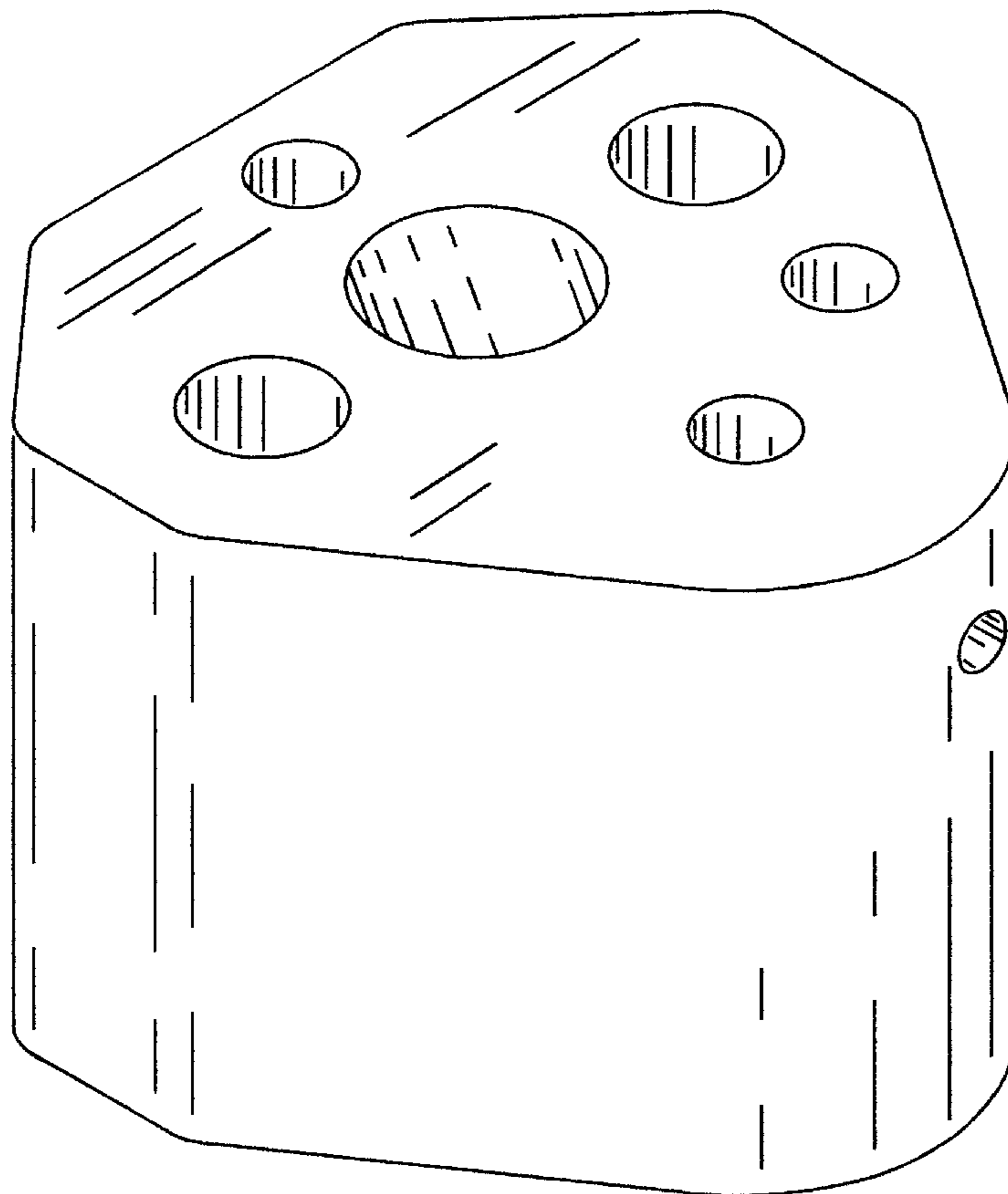
(57) **CLAIM**

The ornamental design for a ball lock punch retainer, as shown and described.

DESCRIPTION

FIG. 1 is a perspective view of the invented ball lock punch retainer, showing the new design;
 FIG. 2 is a top plan view thereof;
 FIG. 3 is a bottom view thereof;
 FIG. 4 is a rear elevational view thereof;
 FIG. 5 is a left side elevational view thereof;
 FIG. 6 is a right side elevational view thereof;
 FIG. 7 is a front view elevational thereof;
 FIG. 8 is a perspective view of an alternative embodiment of the invented ball lock punch retainer;
 FIG. 9 is a top plan view of the alternative embodiment of FIG. 8; and,
 FIG. 10 is a bottom view of the alternative embodiment of FIG. 8.

1 Claim, 5 Drawing Sheets



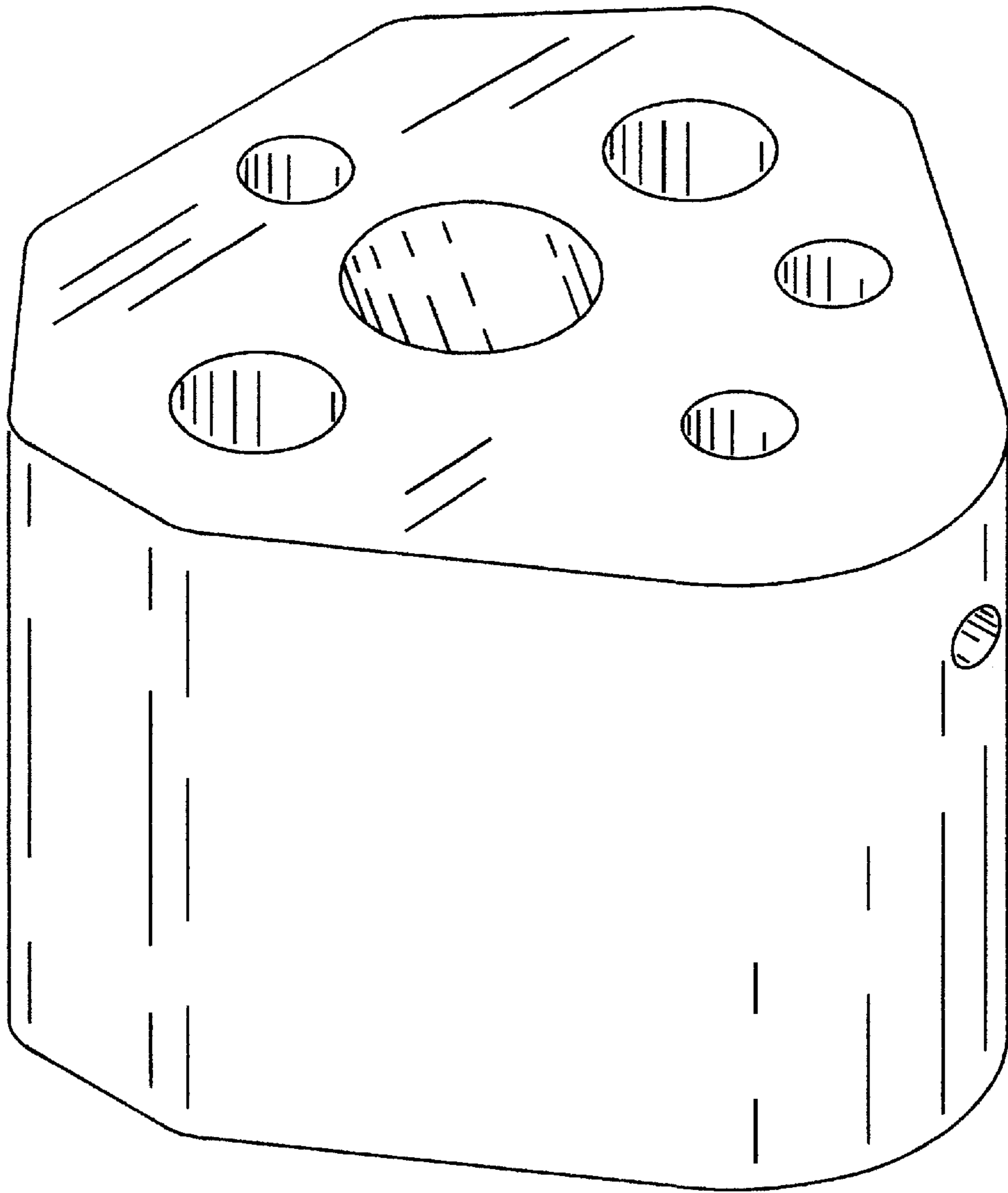


Fig. 1

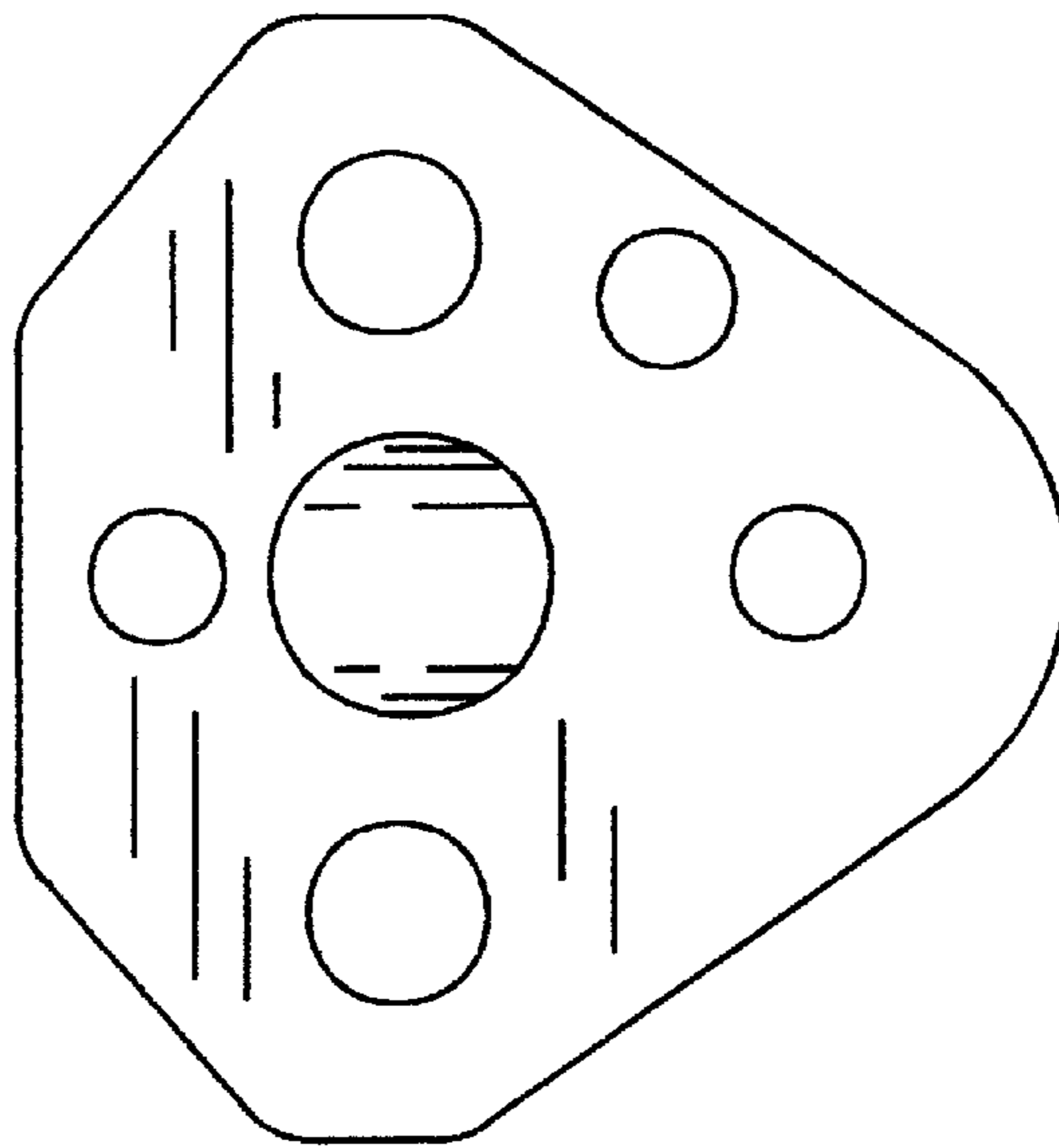
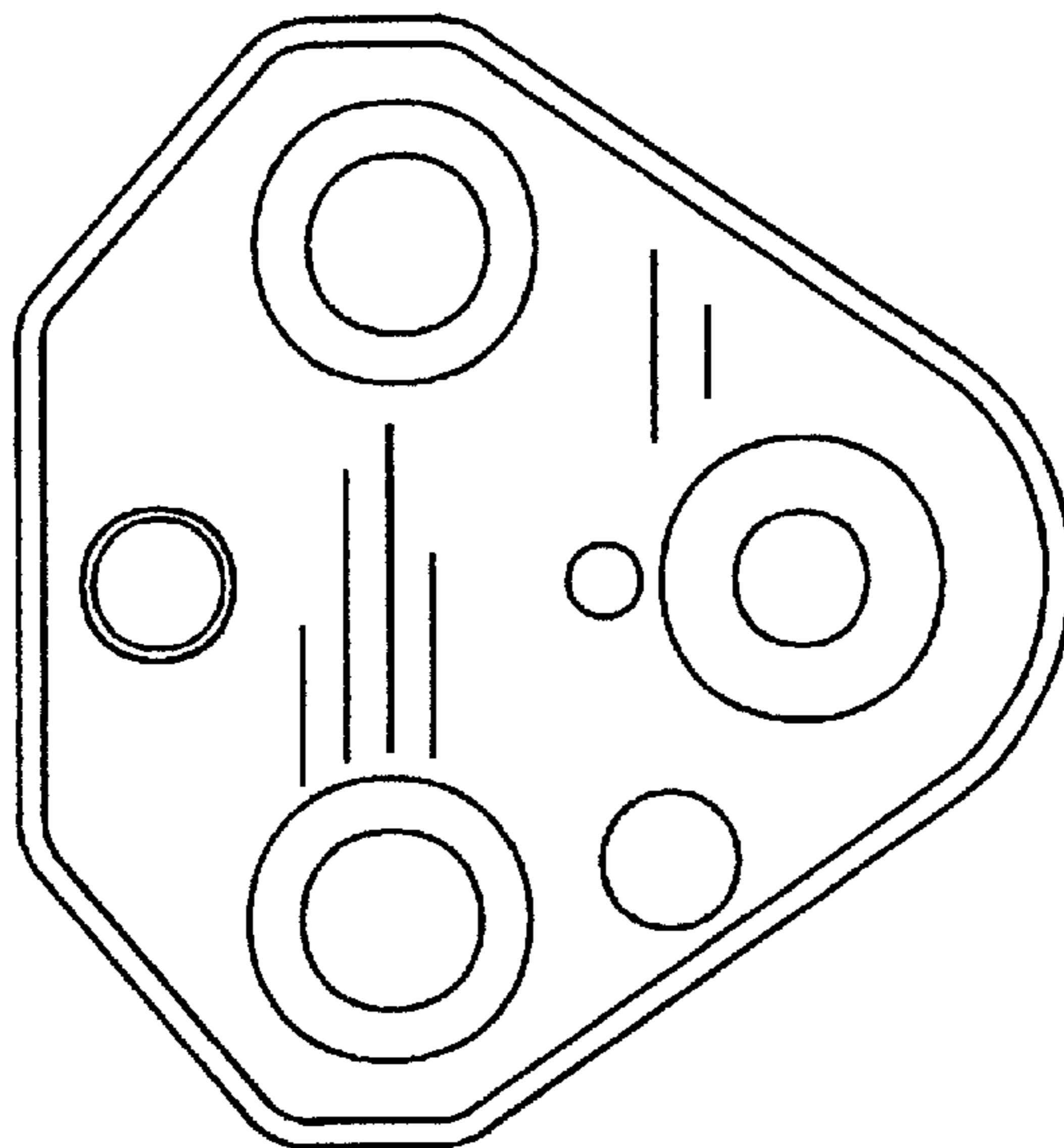


Fig. 2

Fig. 3



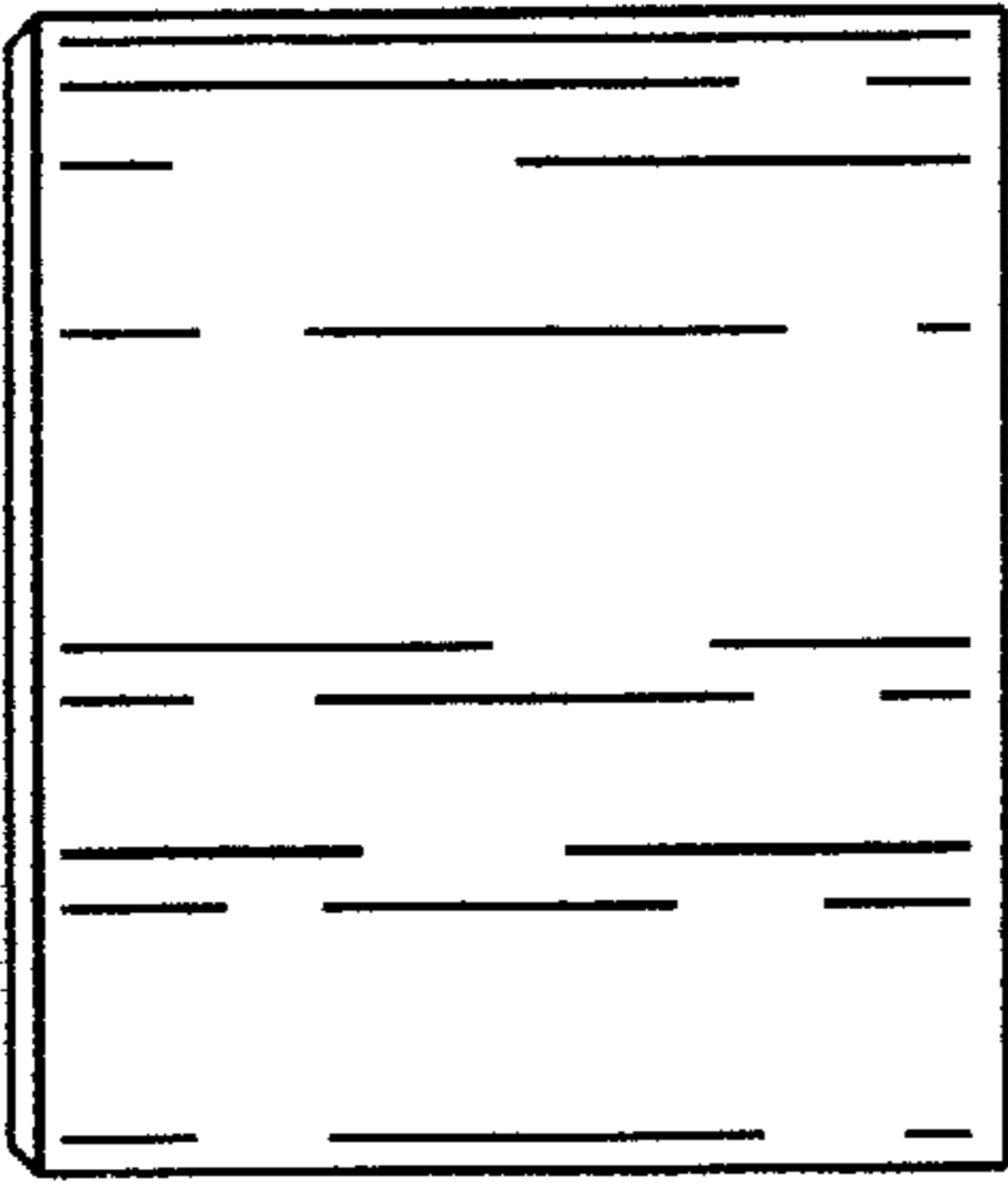


Fig. 4

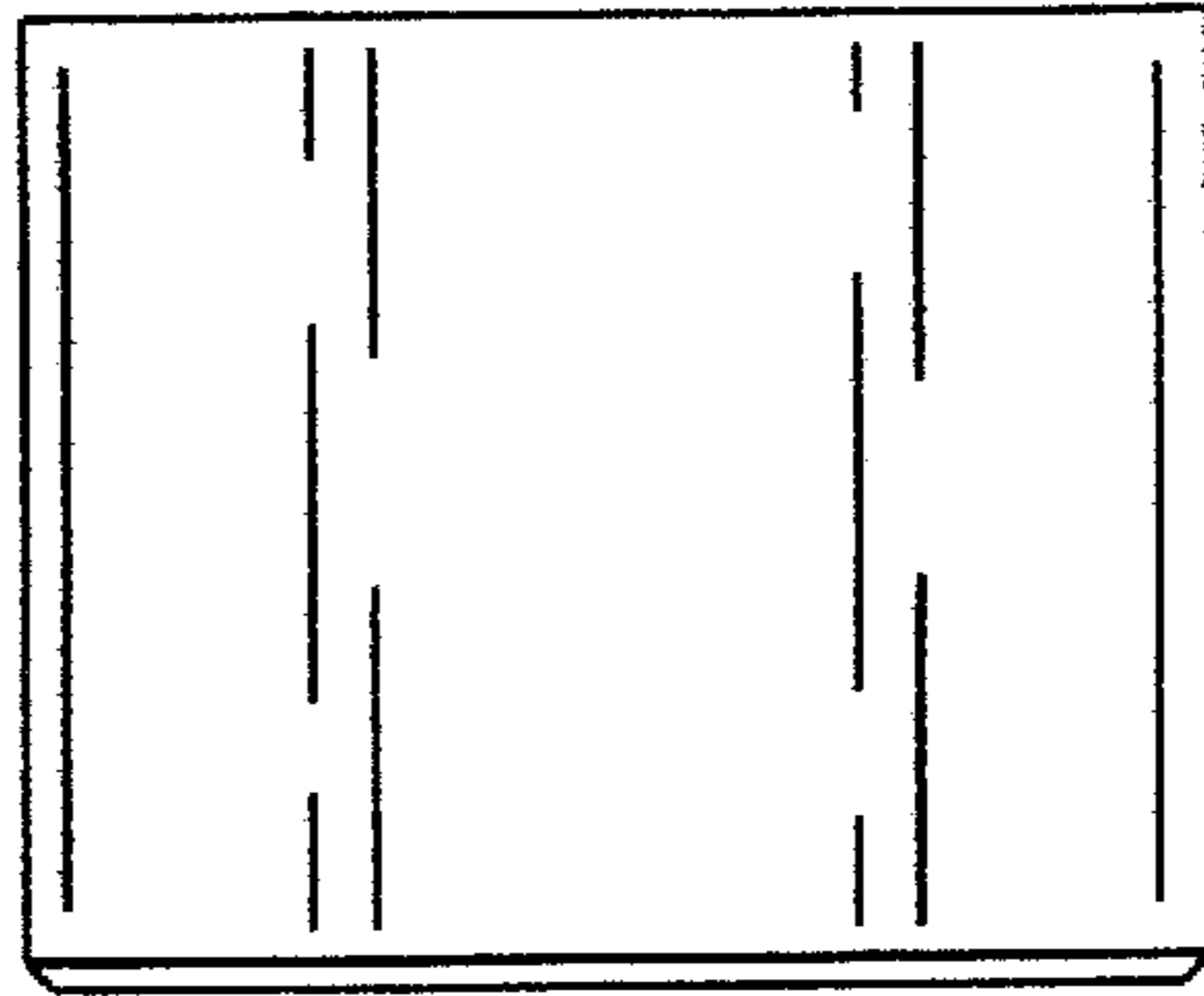


Fig. 5

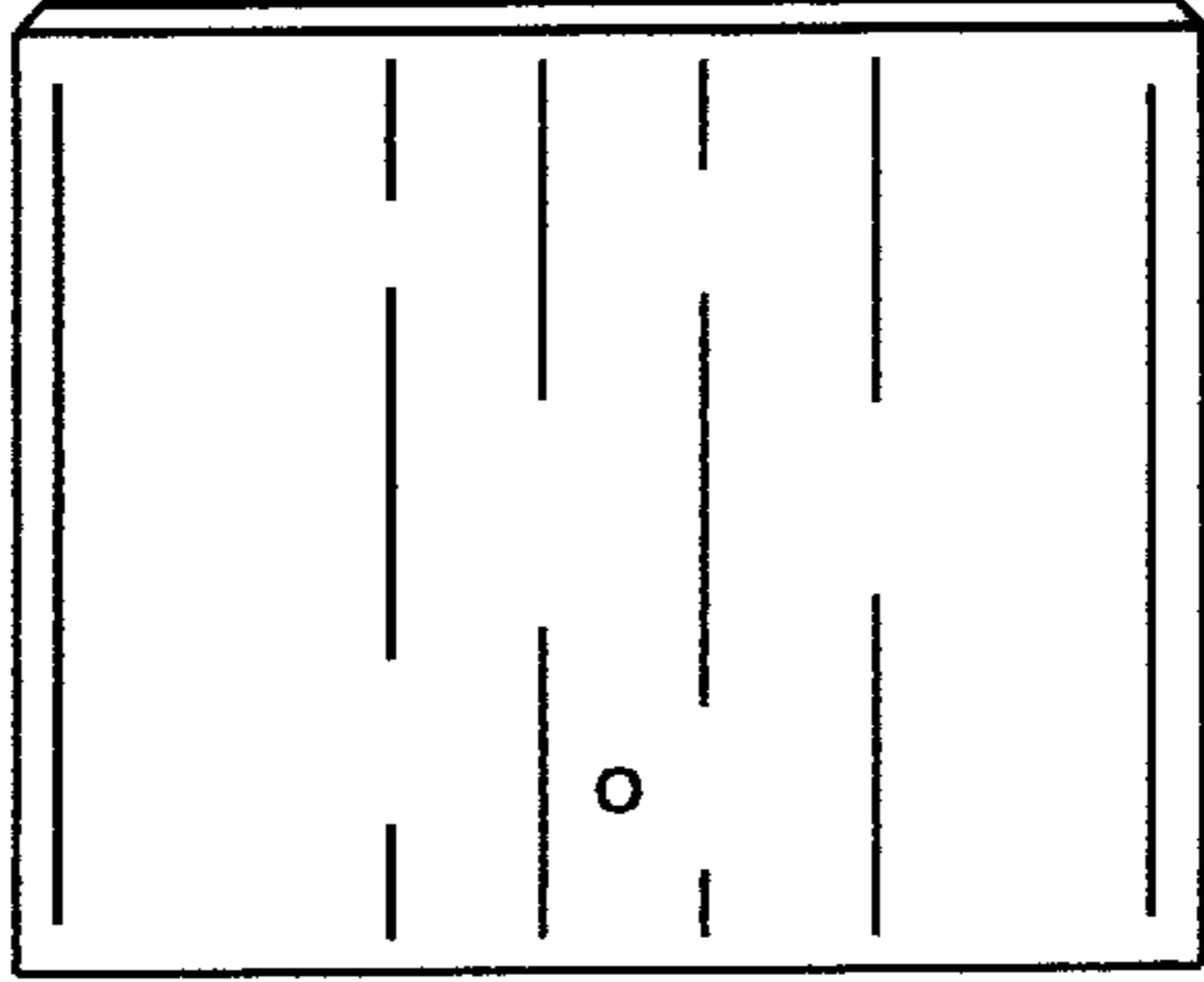


Fig. 6

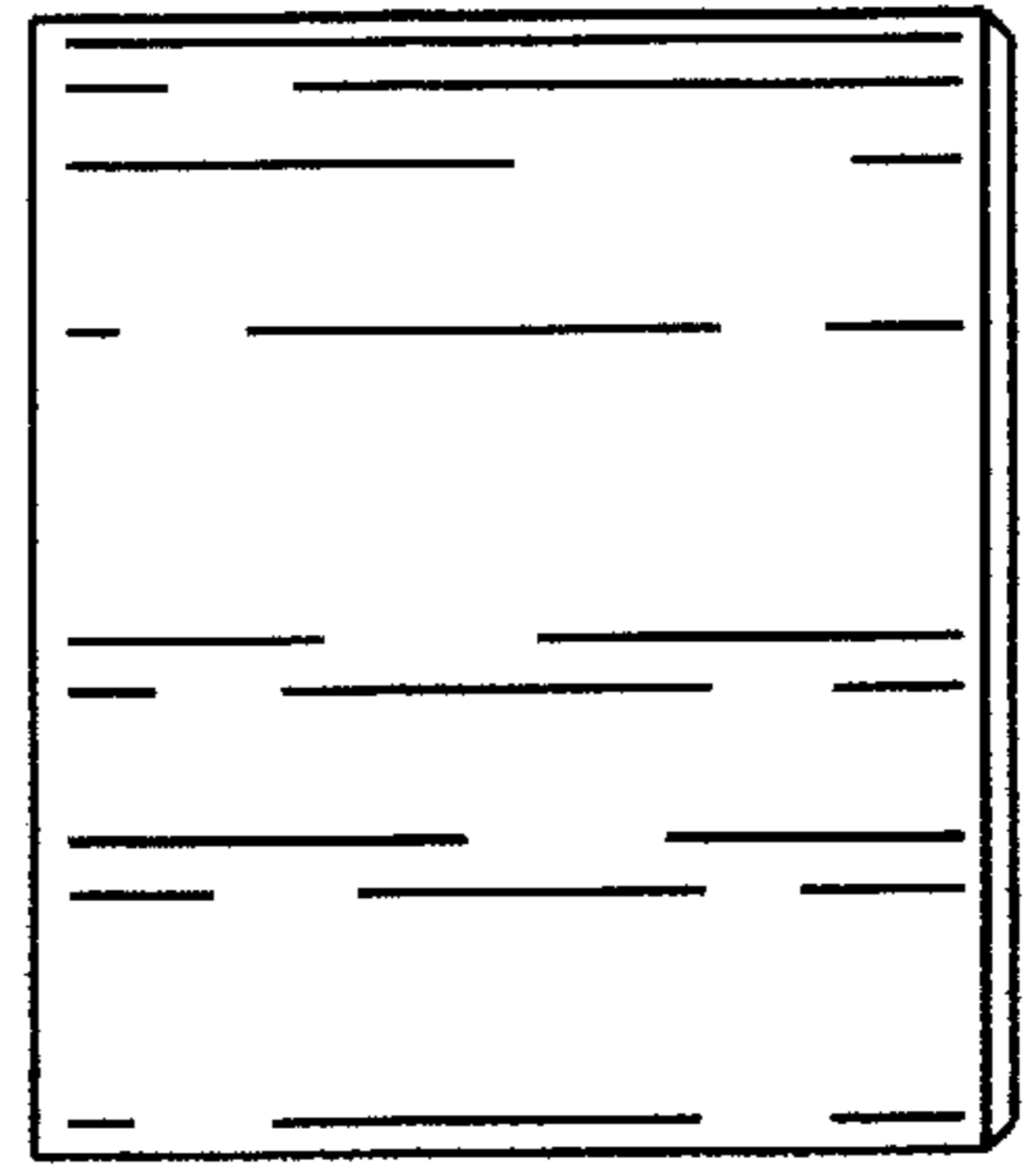


Fig. 7

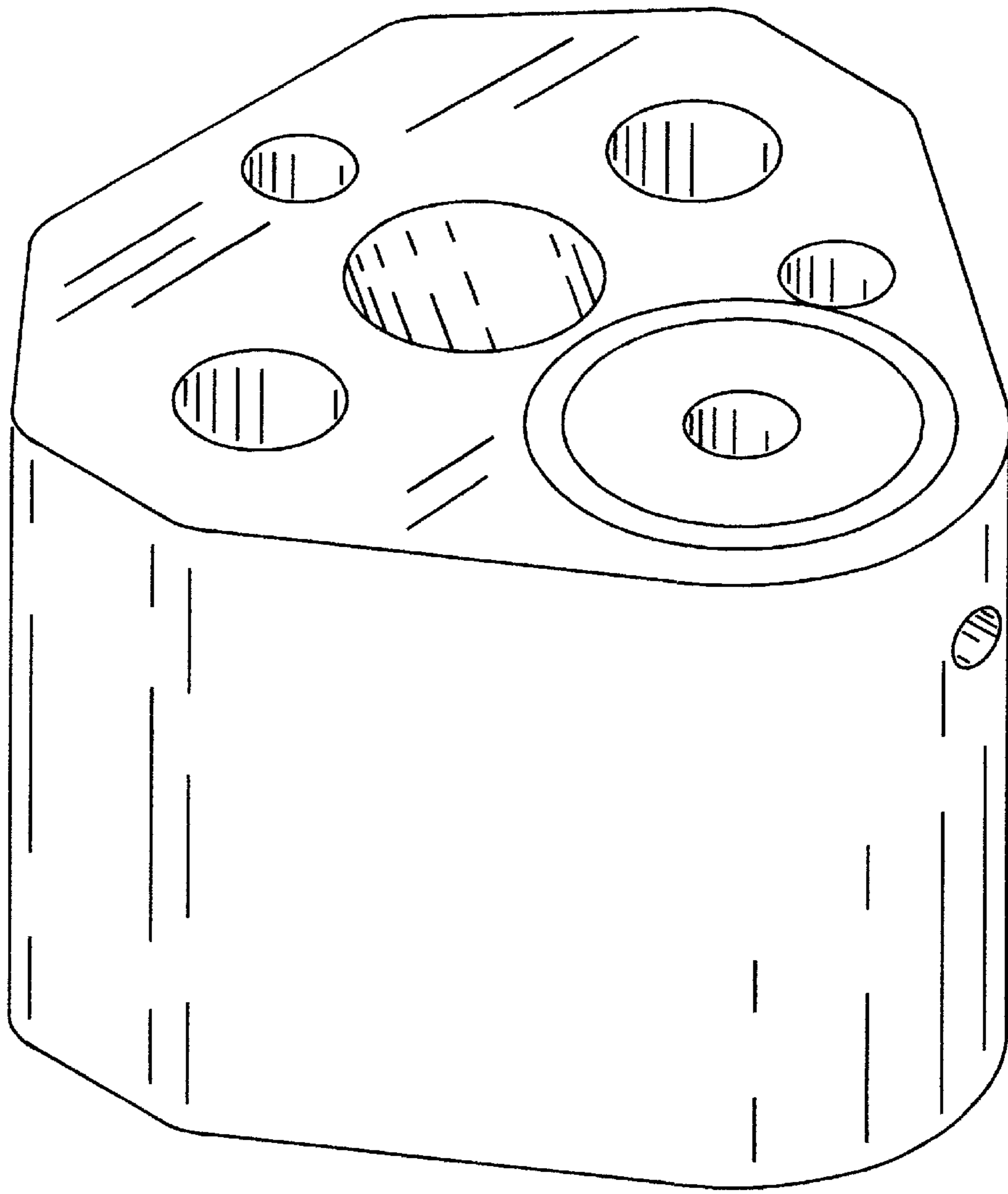


Fig. 8

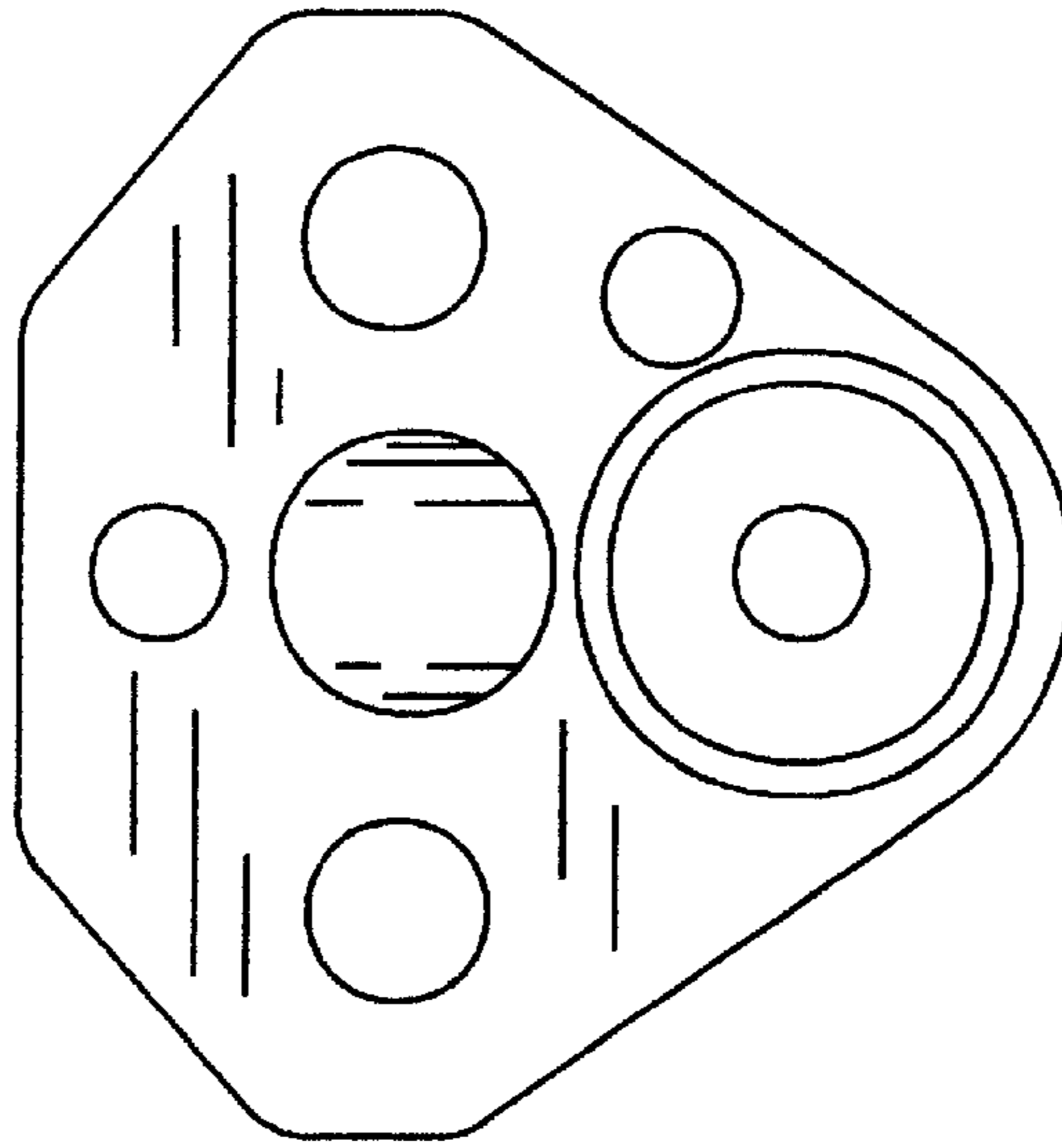


Fig. 9

Fig. 10

