



US00D440137S

(12) **United States Design Patent** (10) **Patent No.:** **US D440,137 S**
Muro et al. (45) **Date of Patent:** **** Apr. 10, 2001**

(54) **SCREW DRIVING ATTACHMENT**

(75) Inventors: **Giichiro Muro; Hideki Fujita; Kunihiro Arai**, all of Tochigi-ken (JP)

(73) Assignee: **Muro Corporation**, Tokyo (JP)

(**) Term: **14 Years**

(21) Appl. No.: **29/129,870**

(22) Filed: **Sep. 25, 2000**

(30) **Foreign Application Priority Data**

Apr. 10, 2000 (JP) 12-009231

(51) **LOC (7) Cl.** **08-05**

(52) **U.S. Cl.** **D8/70**

(58) **Field of Search** D8/61-70; 81/57.11, 81/54, 57.42, 434, 57.37, 55; 173/170; 221/279; 227/119, 120, 136, 2, 123, 130

(56) **References Cited**

U.S. PATENT DOCUMENTS

D. 243,149	*	1/1977	Bieganski	D8/61
D. 316,508	*	4/1991	Stewart et al.	D8/68
D. 334,331	*	3/1993	Kikuchi	D8/70
D. 391,135	*	2/1998	Habermehl et al.	D8/70
D. 409,065	*	5/1999	Morita	D8/61
3,757,407	*	9/1973	Bomar	221/279
4,062,389	*	12/1977	Lejdegard	81/434
4,998,452	*	3/1991	Blum	81/57.37
5,473,965	*	12/1995	Chen	81/434
5,568,753	*	10/1996	Habermehl et al.	81/434
5,855,151	*	1/1999	Habermehl	81/434
5,870,933	*	2/1999	Habermehl et al.	81/434
5,927,163	*	7/1999	Habermehl et al.	81/434
5,934,162	*	8/1999	Habermehl	81/434
5,974,918	*	11/1999	Nakagawa et al.	81/434
6,062,113	*	5/2000	Nakano et al.	81/434
6,085,616	*	7/2000	Habermehl	81/55
6,089,132	*	7/2000	Habermehl	81/434
6,109,145	*	8/2000	Habermehl	81/434

* cited by examiner

Primary Examiner—Jeffrey Asch

(74) *Attorney, Agent, or Firm*—Sughrue, Mion, Zinn, Macpeak & Seas, PLLC

(57) **CLAIM**

The ornamental design for a screw driving attachment, as shown and described.

DESCRIPTION

FIG. 1 is a perspective view of the top, front and left side of a screw driving attachment showing our new design;
 FIG. 2 is a perspective view of the top, rear and left side thereof;
 FIG. 3 is a perspective view of the bottom, rear and left side thereof;
 FIG. 4 is a front elevational view thereof;
 FIG. 5 is a rear elevational view thereof;
 FIG. 6 is a top plan view thereof;
 FIG. 7 is a bottom plan view thereof;
 FIG. 8 is a left side elevational view thereof;
 FIG. 9 is a right side elevational view thereof;
 FIG. 10 is a view similar to FIG. 4 with the screw feed mechanism retracted;
 FIG. 11 is a view similar to FIG. 5 with the screw feed mechanism retracted;
 FIG. 12 is a view similar to FIG. 6 with the screw feed mechanism retracted;
 FIG. 13 is a view similar to FIG. 7 with the screw feed mechanism retracted;
 FIG. 14 is a perspective view of the screw driving attachment attached to a driving mechanism and provided with a belt of nails for operative use wherein the elements shown in phantom lines do not constitute any part of the claimed design; and,
 FIG. 15 is a longitudinal, sectional view to more clearly show the relation of the retractable screw feed mechanism to the main body of the screw driving attachment.

1 Claim, 10 Drawing Sheets

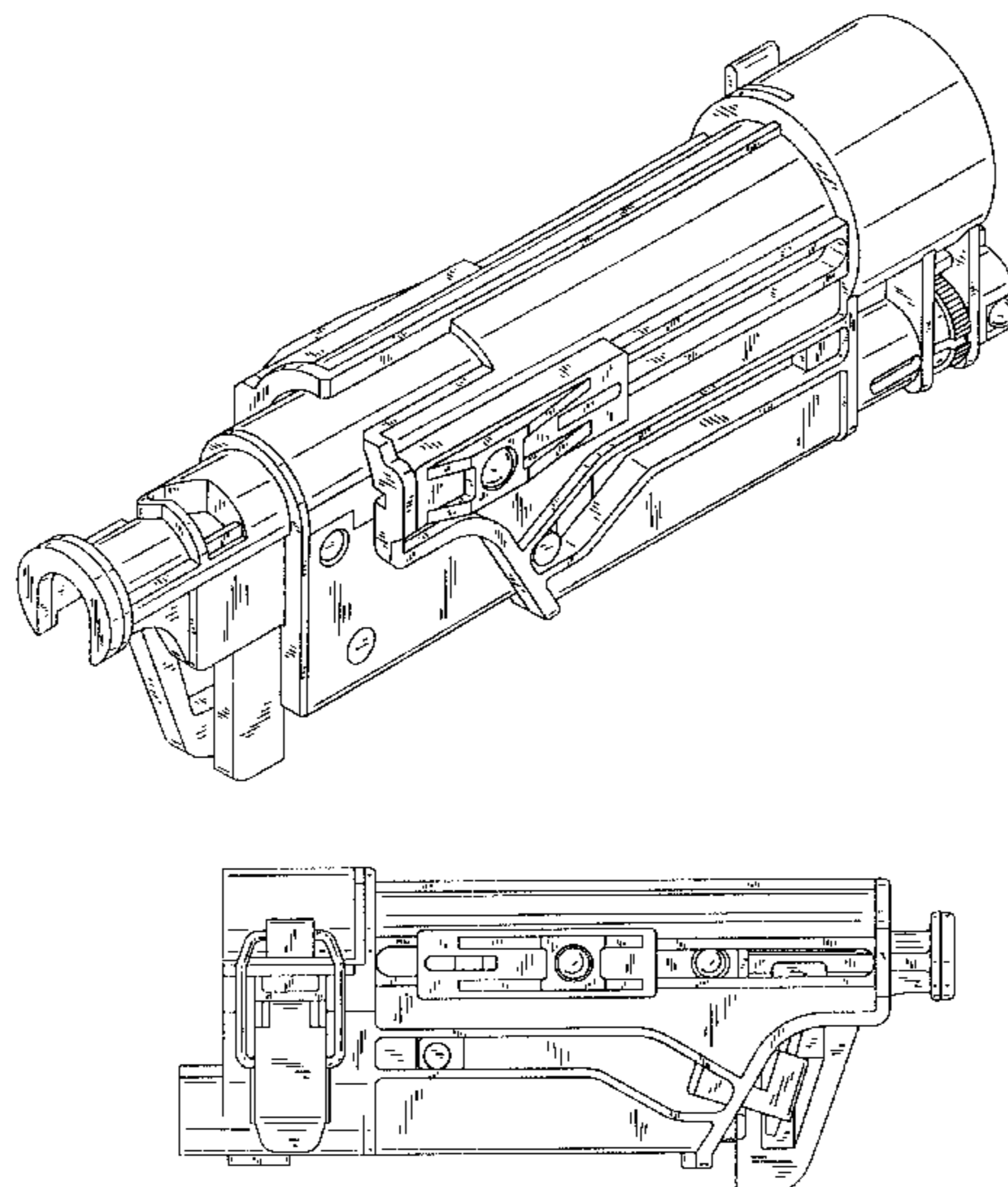


FIG. 1

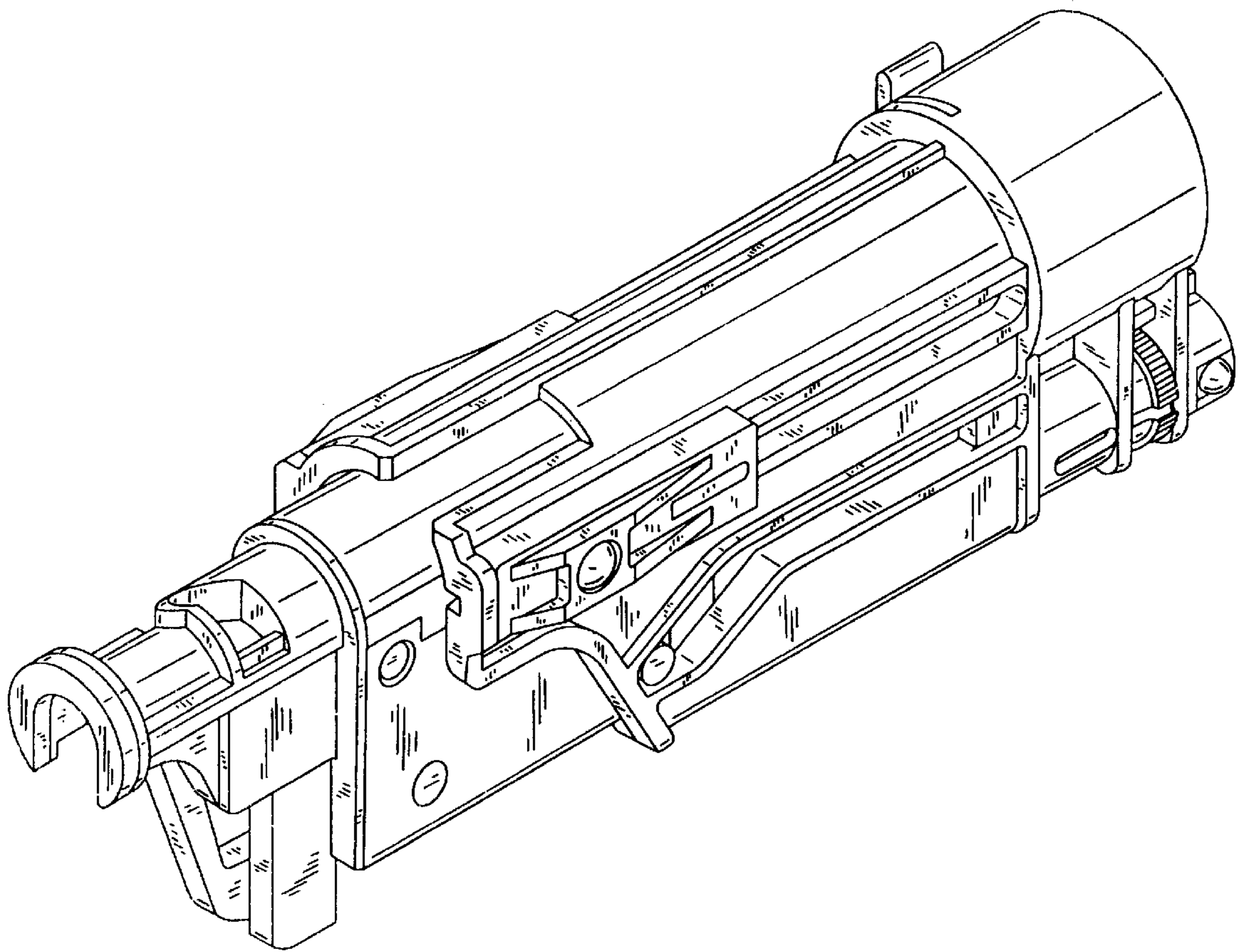


FIG. 2

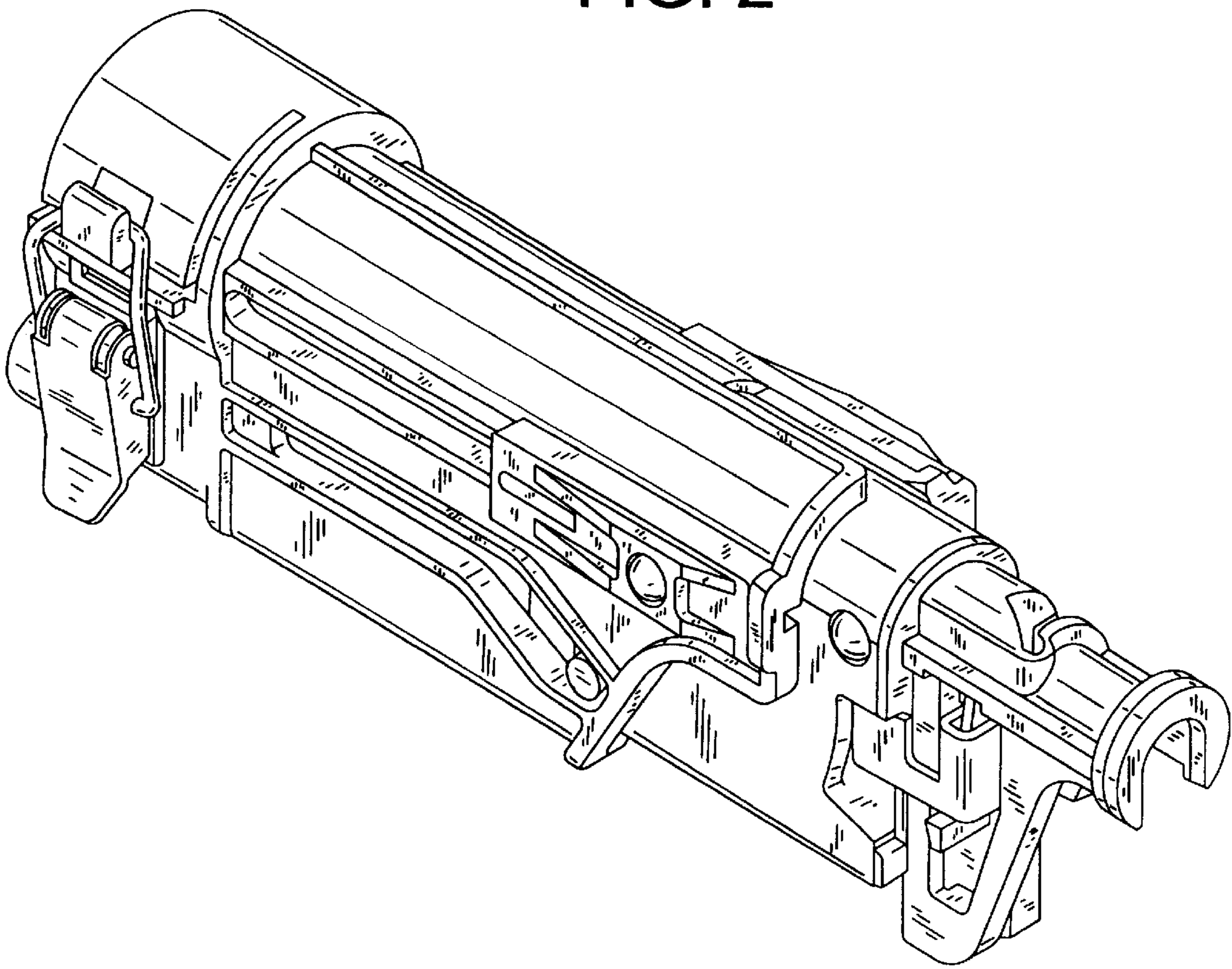


FIG. 3

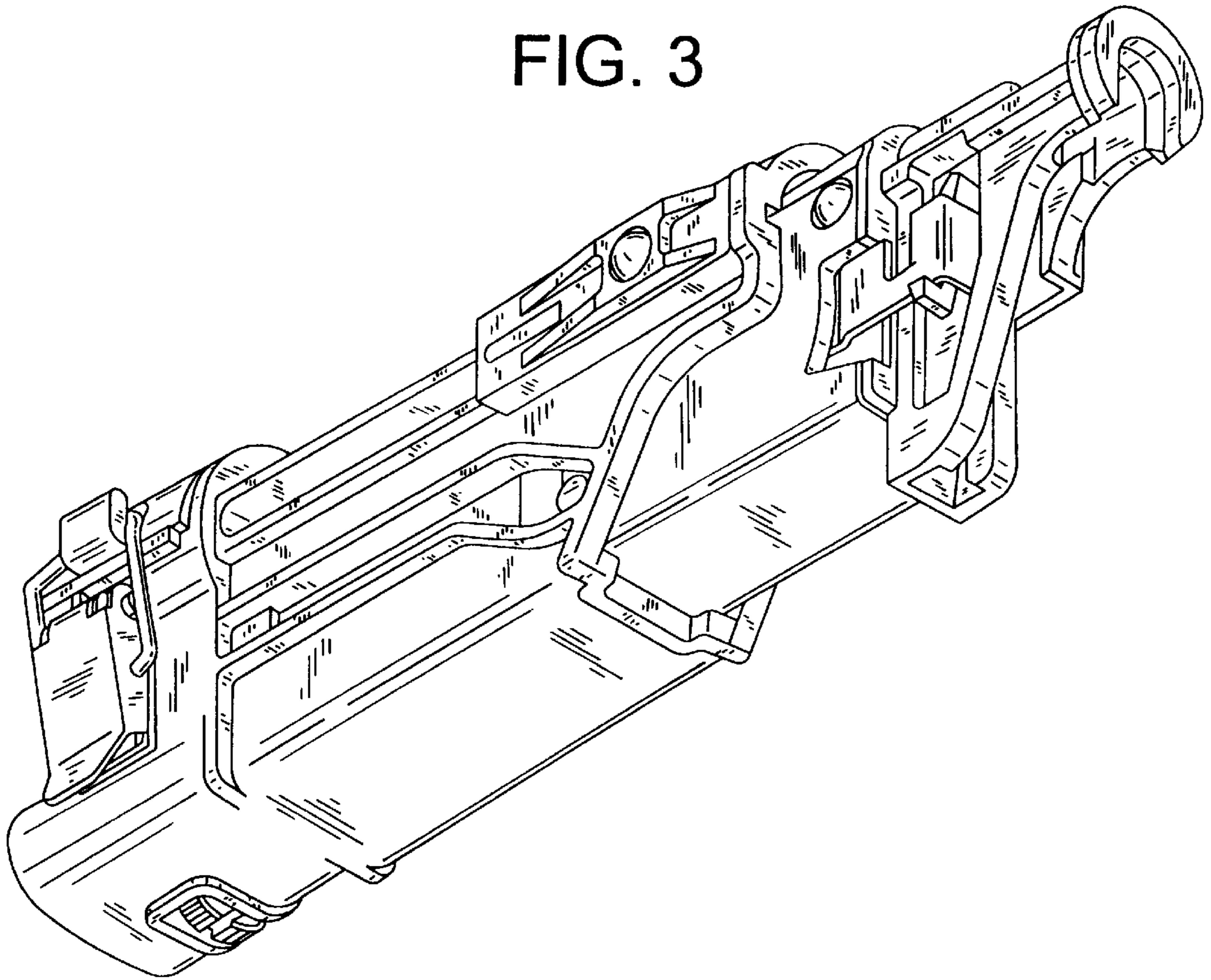


FIG. 4

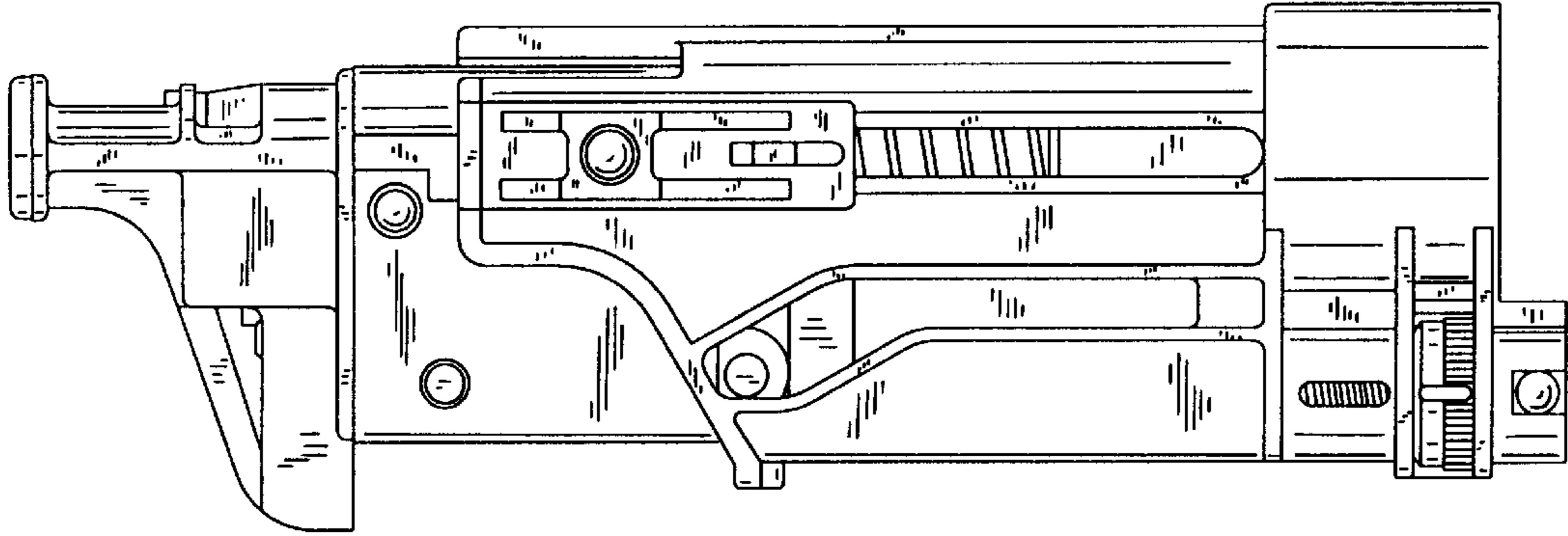


FIG. 5

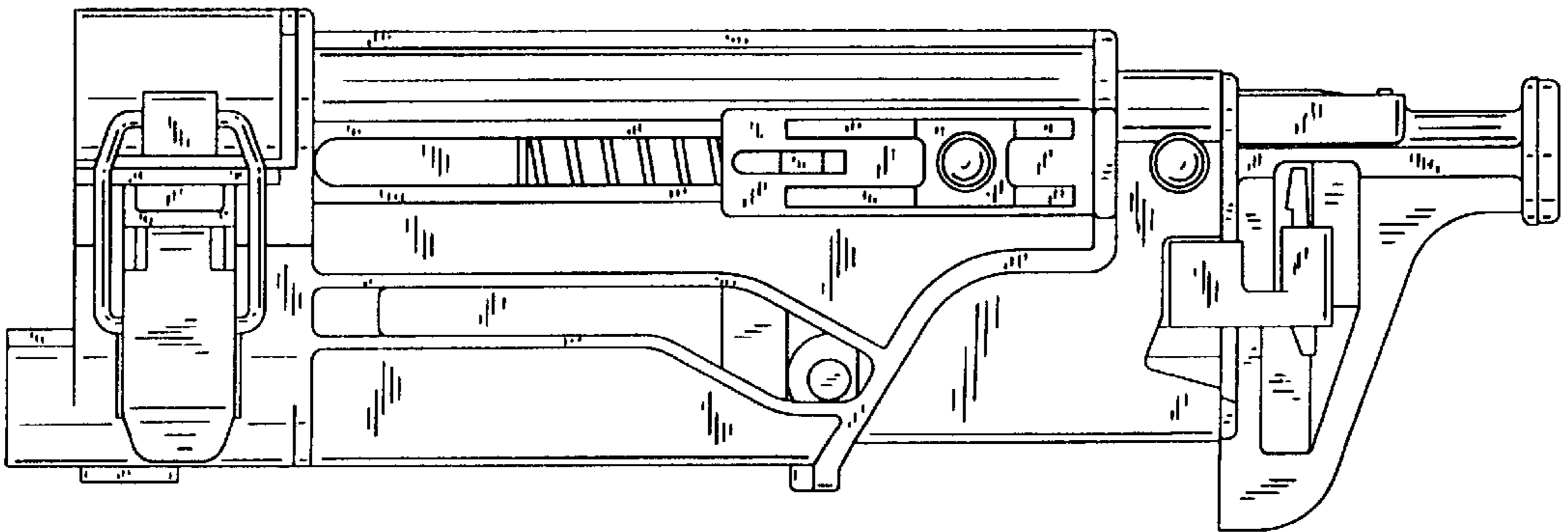


FIG. 6

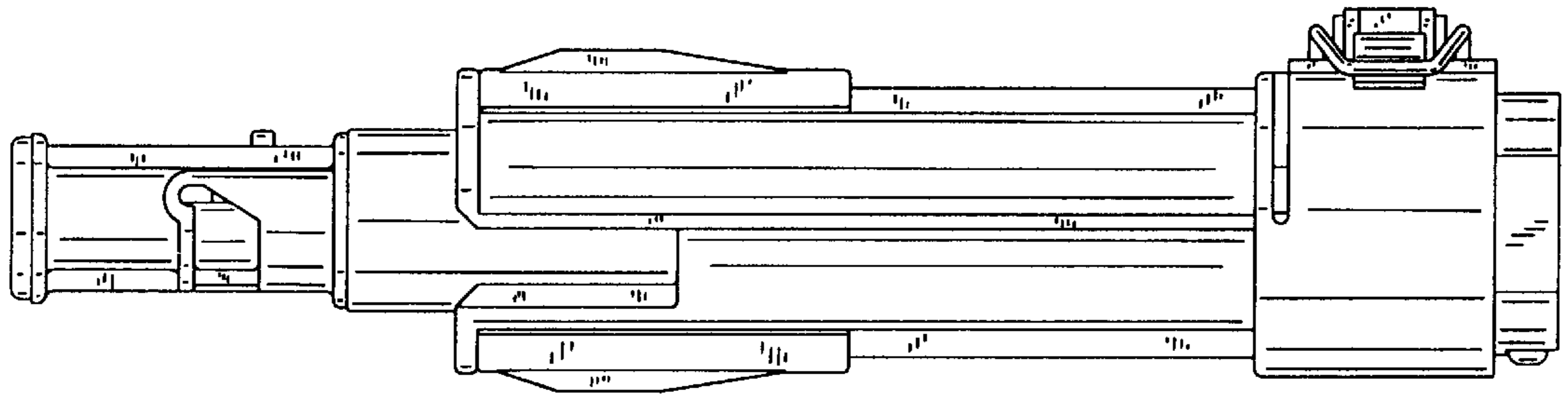


FIG. 7

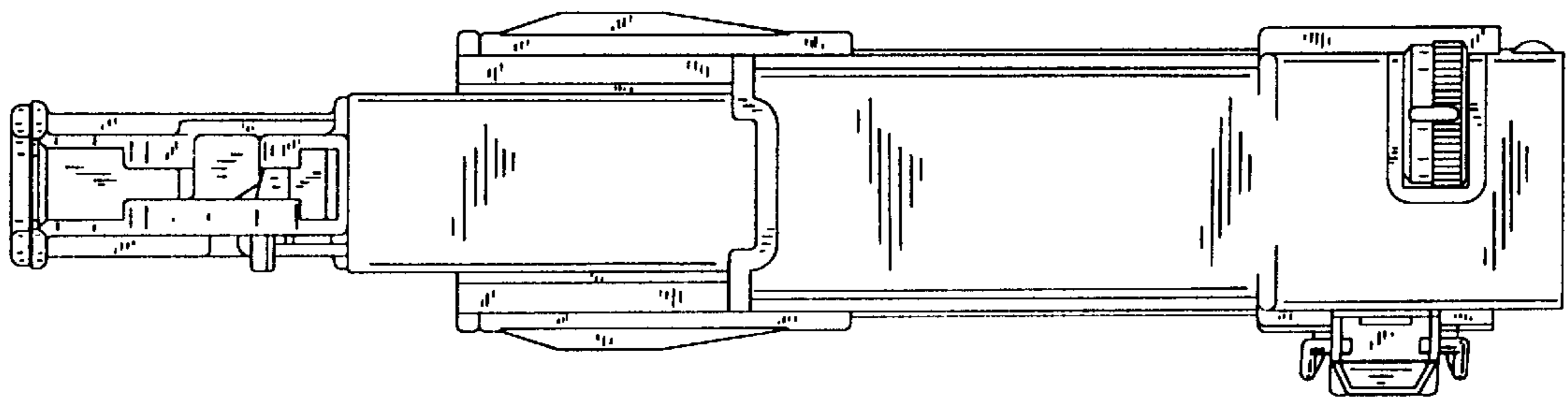


FIG. 8

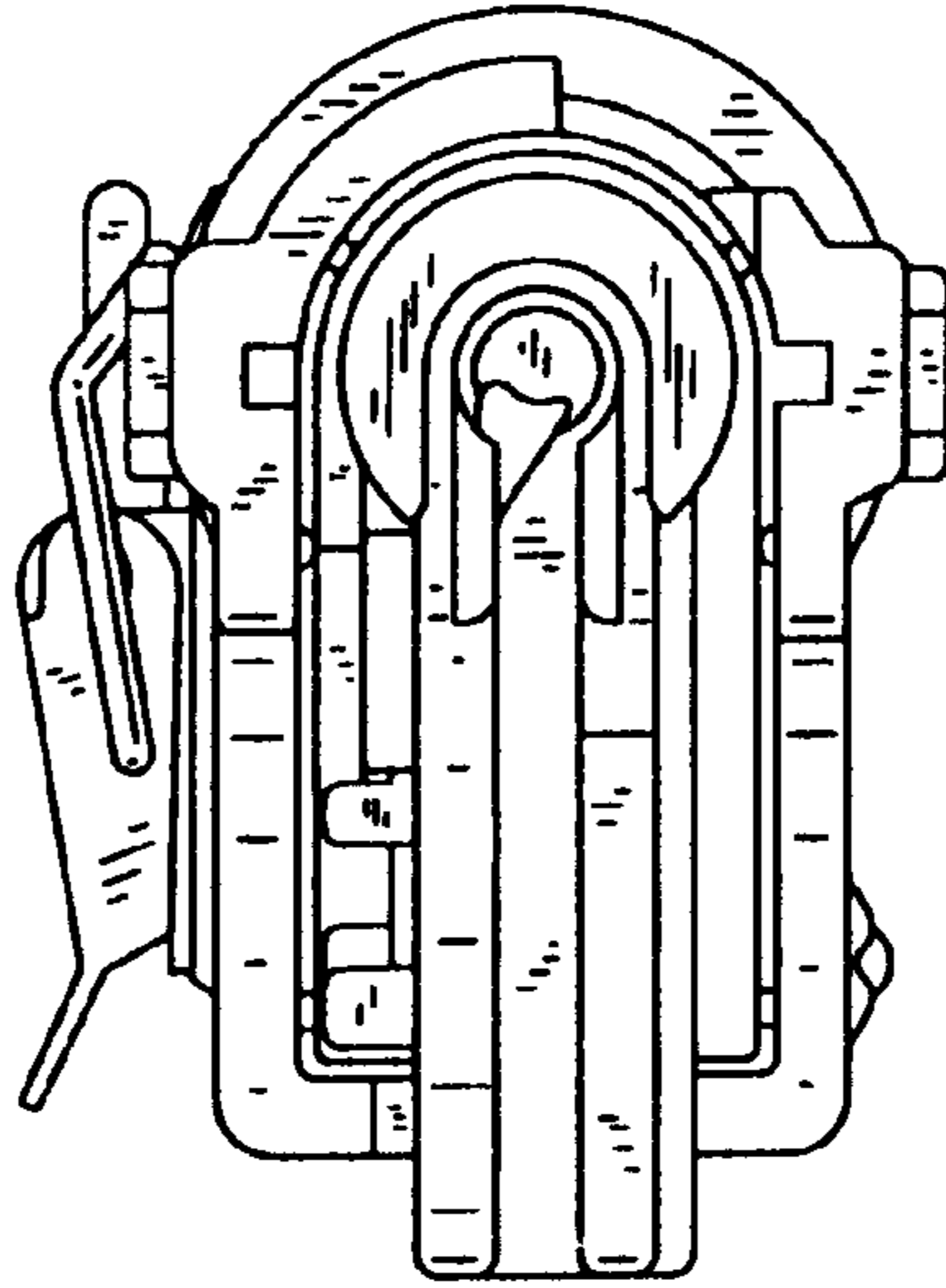


FIG. 9

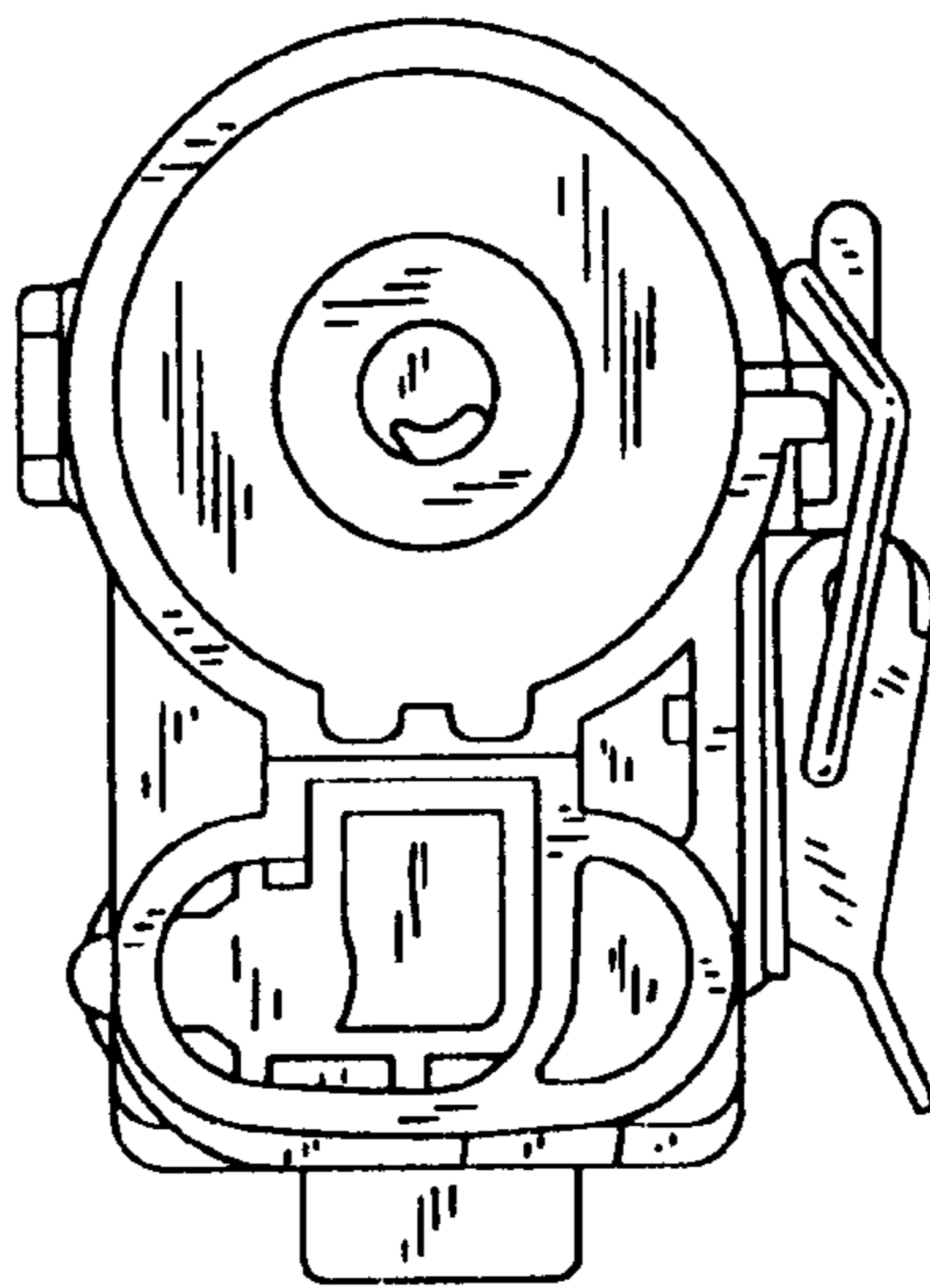


FIG. 10

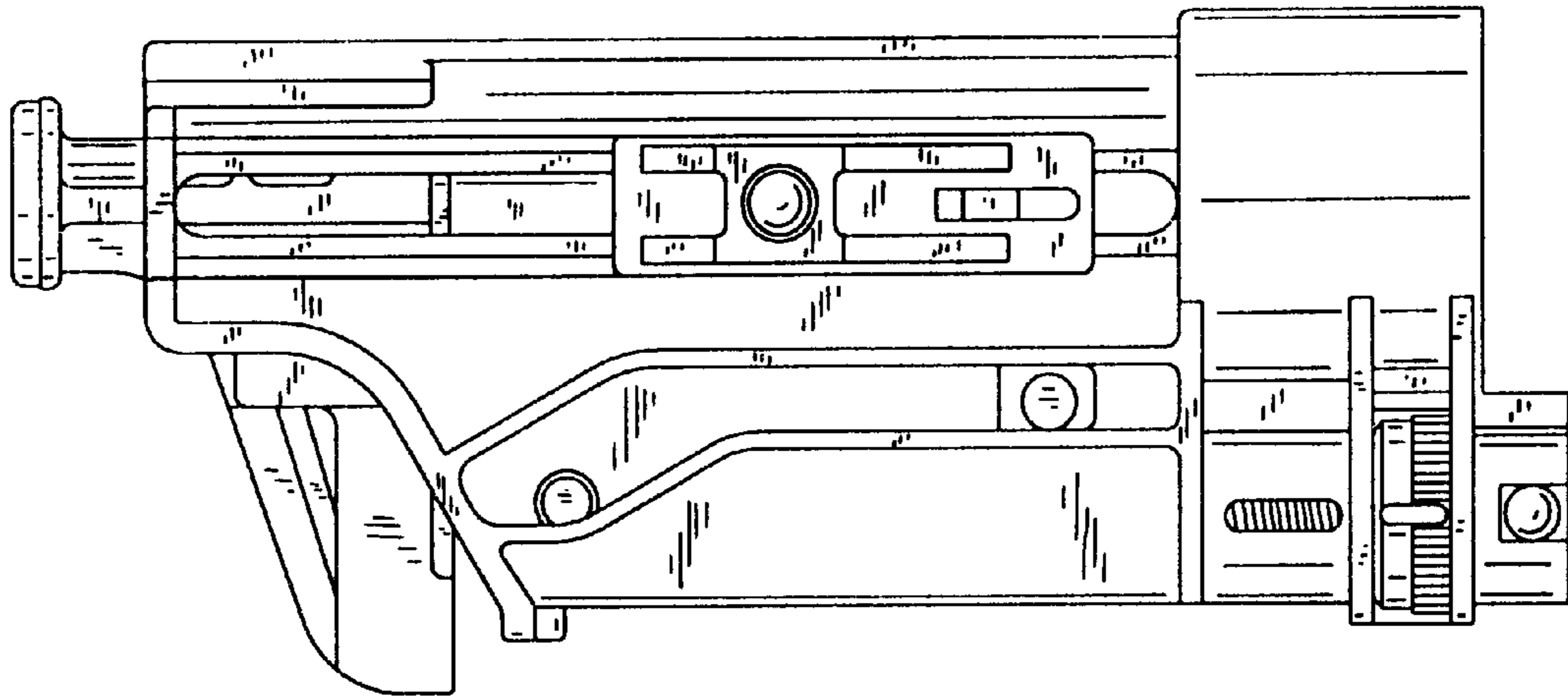


FIG. 11

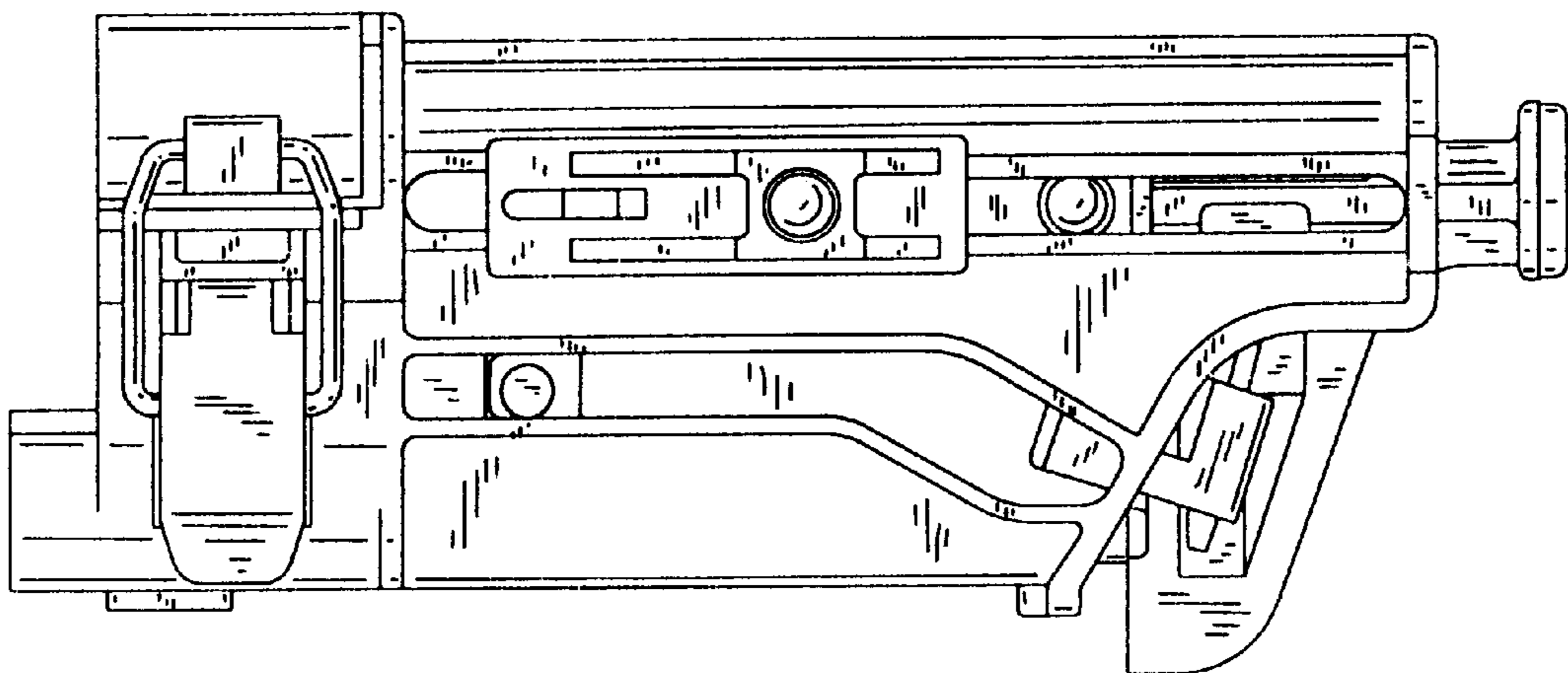


FIG. 12

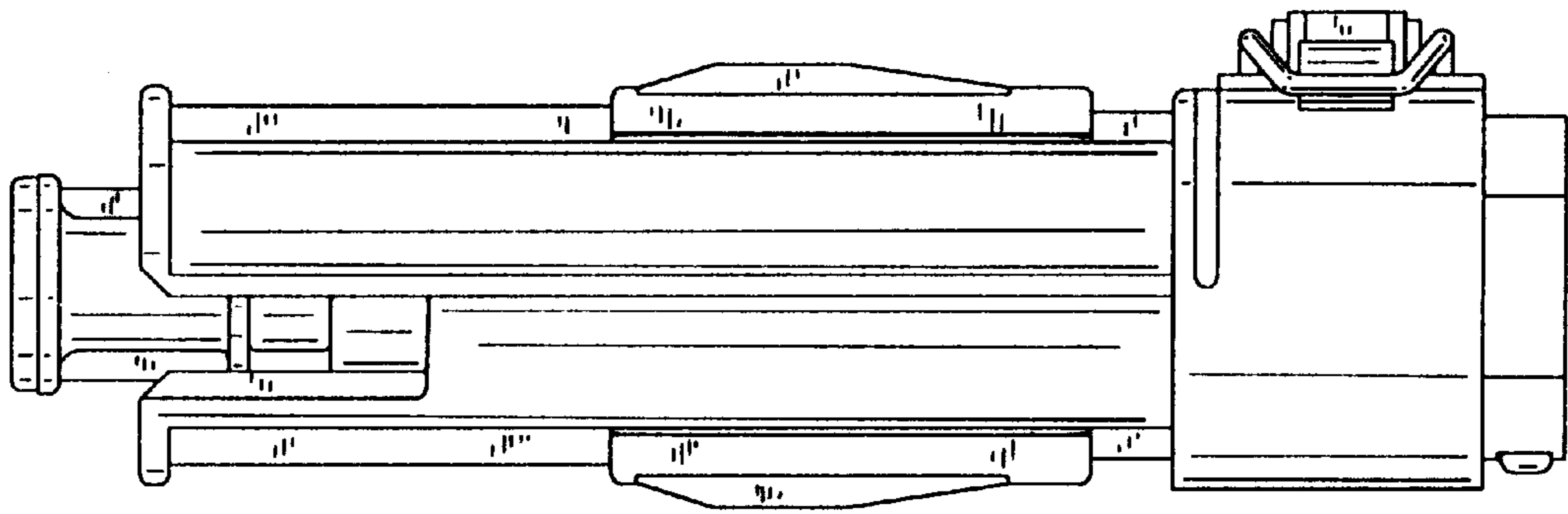


FIG. 13

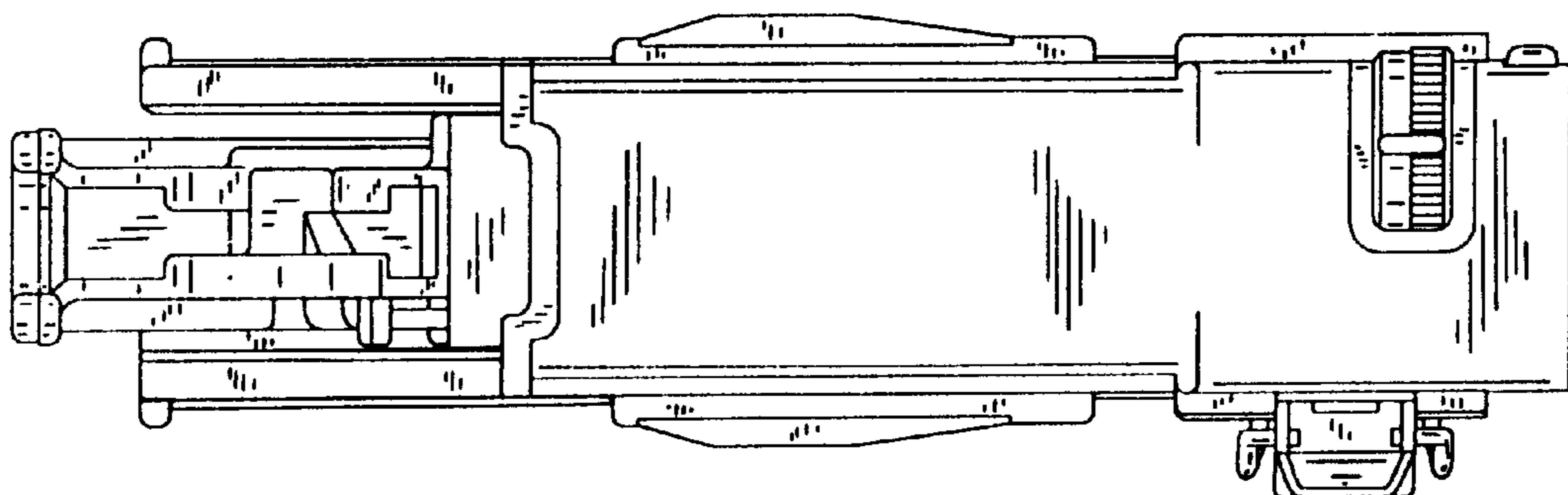


FIG. 14

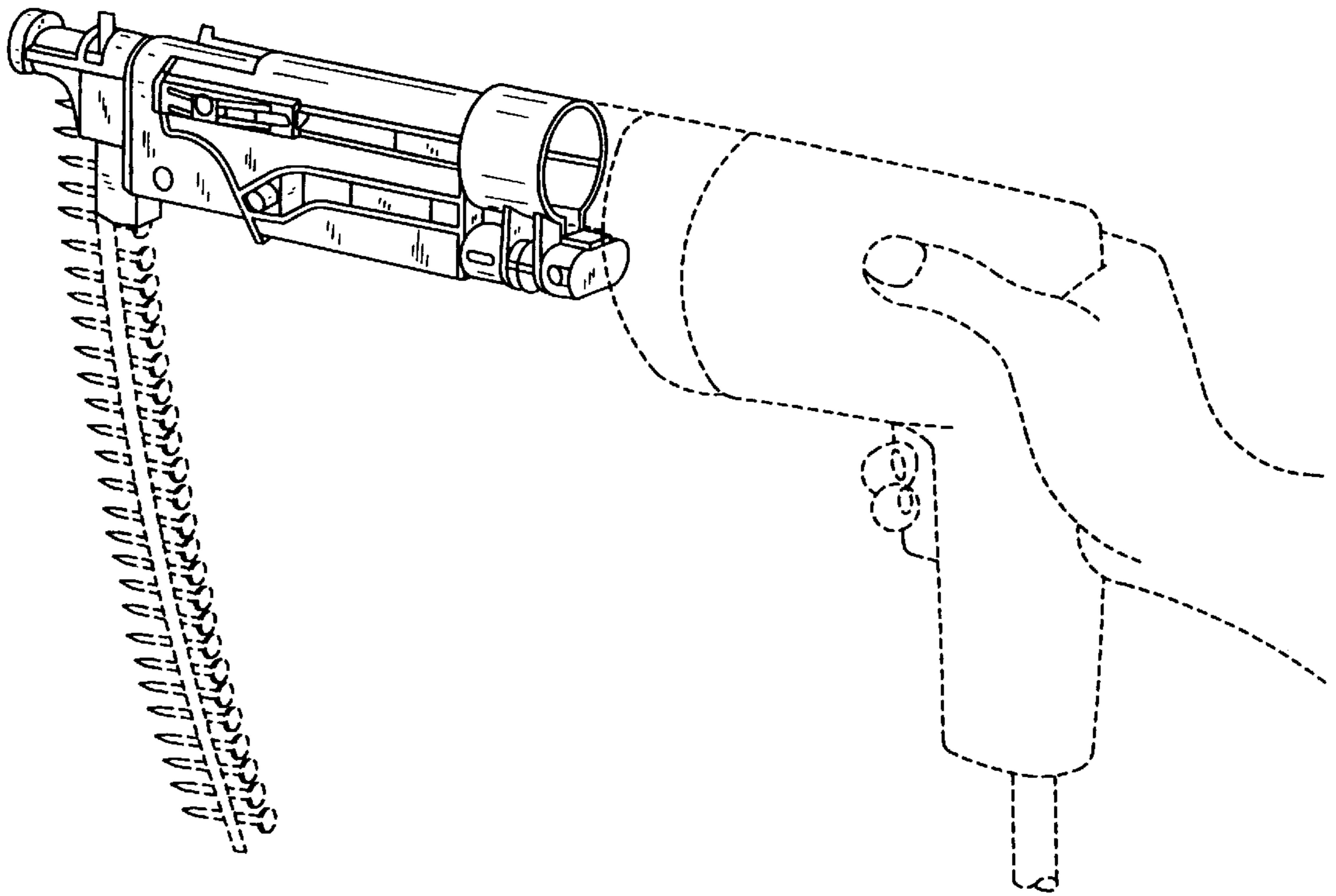


FIG. 15

