



US00D440136S

(12) **United States Design Patent**  
**Buck**

(10) **Patent No.:** **US D440,136 S**

(45) **Date of Patent:** **\*\* Apr. 10, 2001**

(54) **FASTENER DRIVING TOOL**

(76) **Inventor:** **John E. Buck**, 10594 Blue Bell Way,  
Cockeysville, MD (US) 21030

(\*\*) **Term:** **14 Years**

(21) **Appl. No.:** **29/124,350**

(22) **Filed:** **Jun. 5, 2000**

(51) **LOC (7) Cl.** ..... **08-05**

(52) **U.S. Cl.** ..... **D8/68**

(58) **Field of Search** ..... D8/61-70; 81/57.11,  
81/54, 57.42; 173/170, 48, 109; 227/10.8,  
120, 130, 131

D. 377,590	*	1/1997	Lai	.....	D8/68
D. 416,182	*	11/1999	Kaiser et al.	.....	D8/69
D. 416,775	*	11/1999	Hwang et al.	.....	D8/69
3,253,760	*	5/1966	Doyle et al.	.....	227/120
3,776,445	*	12/1973	Pomeroy	.....	227/130
4,858,811	*	8/1989	Brosius et al.	.....	227/10
6,006,704	*	12/1999	Phillips et al.	.....	227/10 X

\* cited by examiner

*Primary Examiner*—Jeffrey Asch

(74) *Attorney, Agent, or Firm*—Adan Ayala

(57) **CLAIM**

The ornamental design for a fastener driving tool, as shown and described.

**DESCRIPTION**

FIG. 1 is a perspective from the right side of a fastener driving tool according to the invention.

FIG. 2 is a left side elevational of the fastener driving tool.

FIG. 3 is a right elevational of the fastener driving tool.

FIG. 4 is a front elevational of the fastener driving tool.

FIG. 5 is a rear elevational view of the fastener driving tool.

FIG. 6 is a top plan view of the fastener driving tool; and,

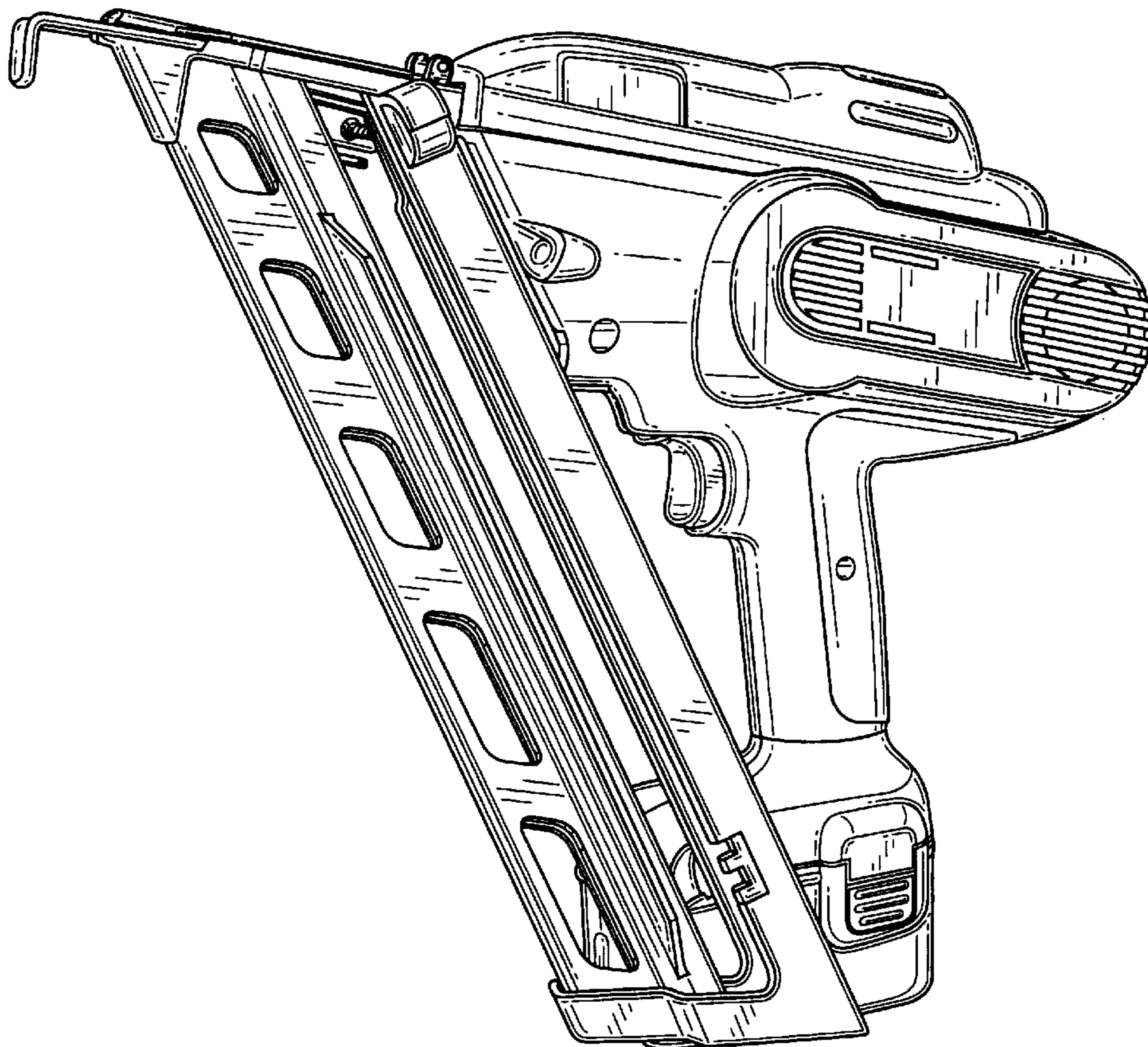
FIG. 7 is a bottom plan view of the fastener driving tool.

(56) **References Cited**

**U.S. PATENT DOCUMENTS**

D. 214,208	*	5/1969	Schwarz	.....	D8/61
D. 219,259	*	11/1970	Perkins	.....	D8/61
D. 260,354	*	8/1981	Proops et al.	.....	D8/61
D. 282,345	*	1/1986	Fehrs	.....	D8/49
D. 314,320	*	2/1991	Brosius et al.	.....	D8/67
D. 322,204	*	12/1991	Lee	.....	D8/61
D. 332,561	*	1/1993	Fushiya et al.	.....	D8/69
D. 338,606	*	8/1993	Oda	.....	D8/69
D. 338,818	*	8/1993	Katsuba	.....	D8/62

**1 Claim, 7 Drawing Sheets**



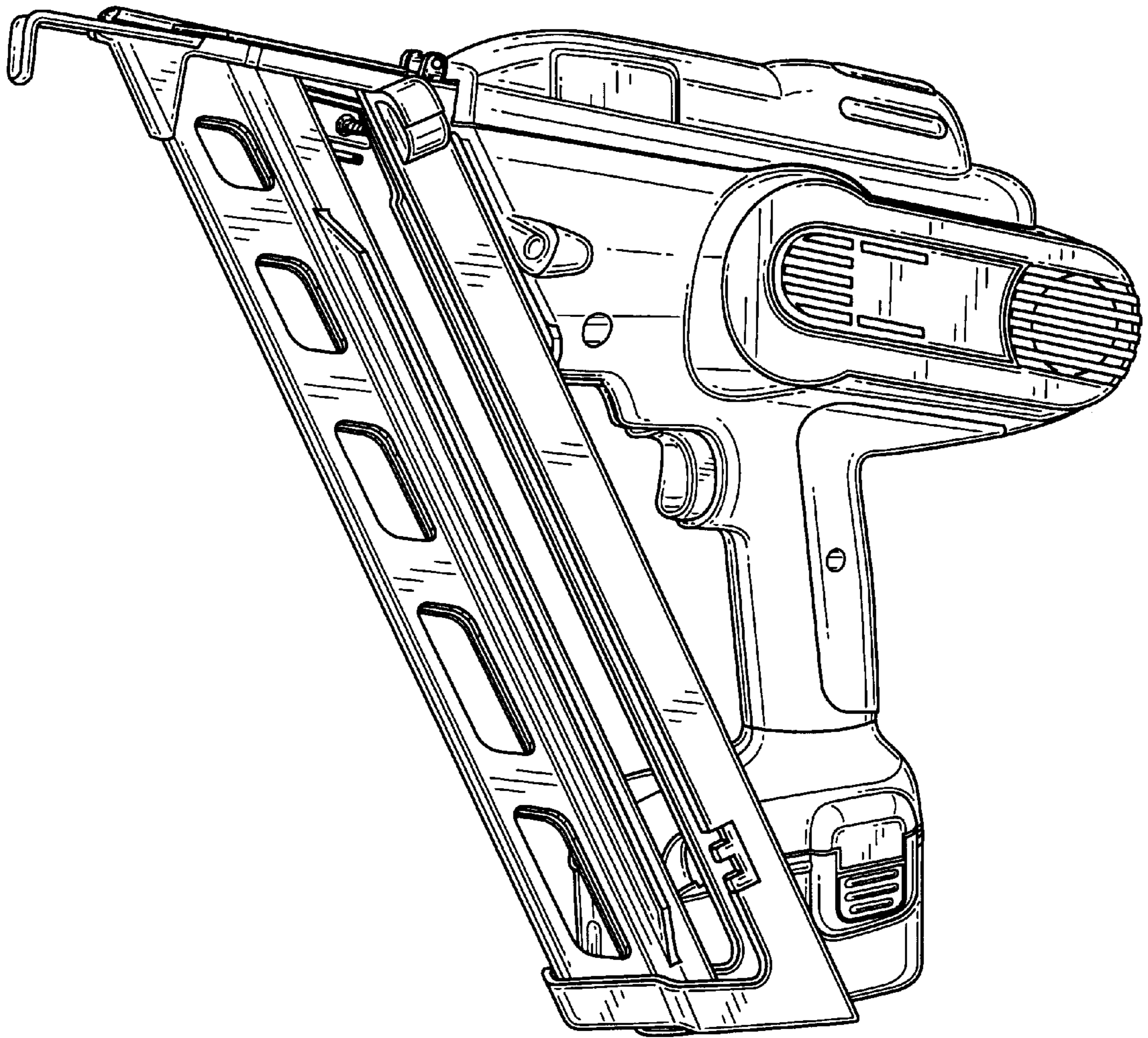


FIG. 1

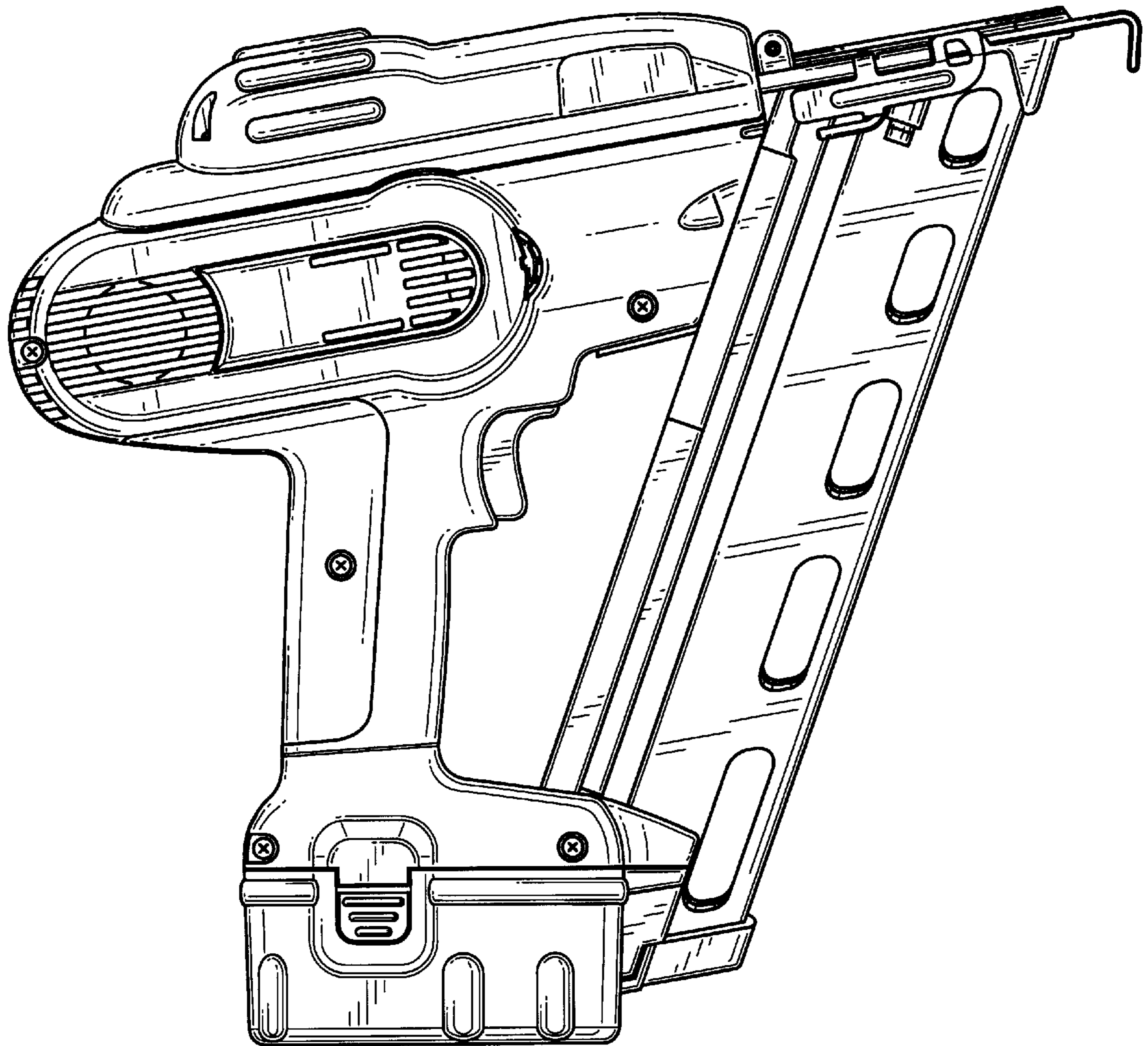


FIG. 2

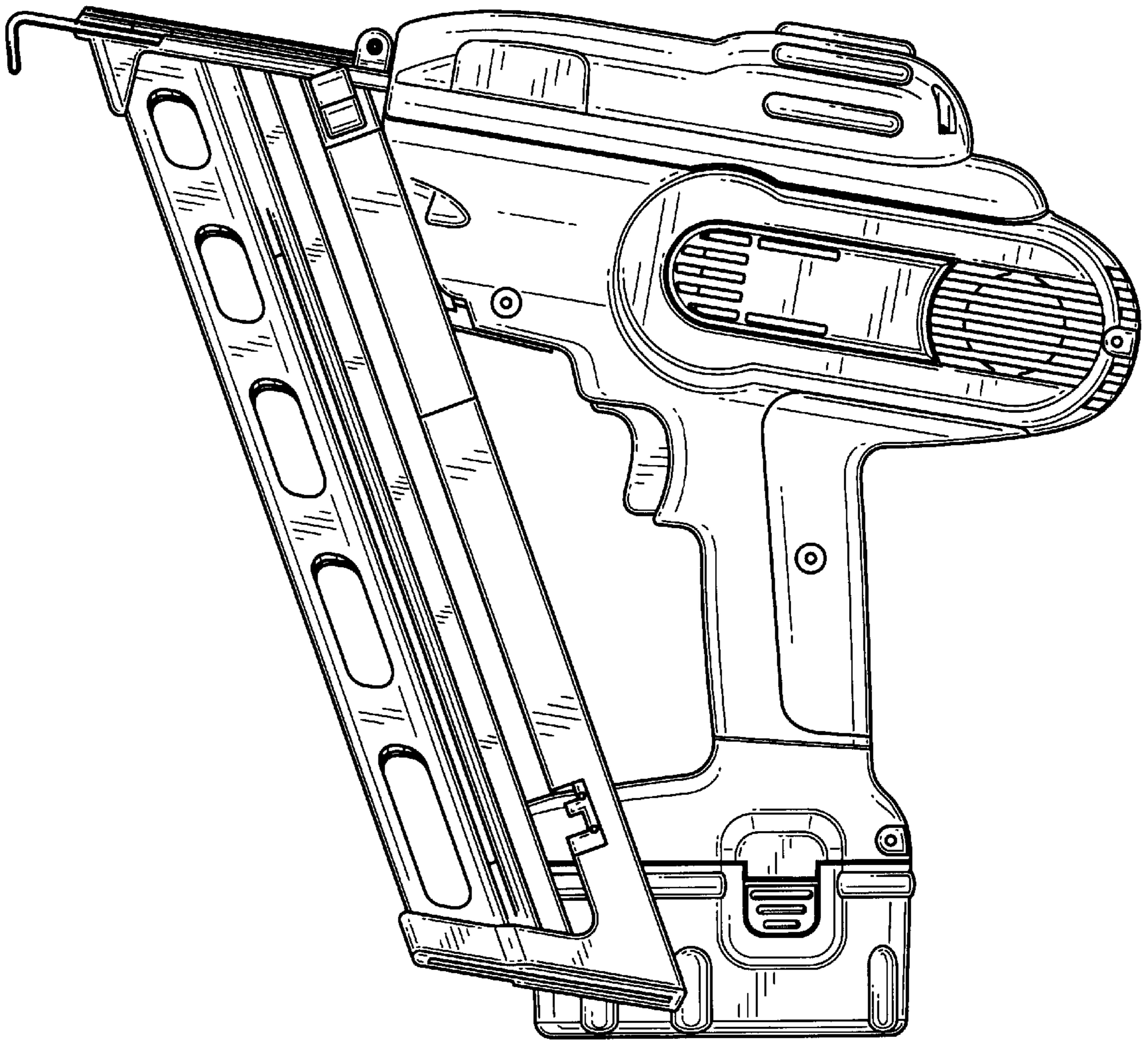


FIG. 3

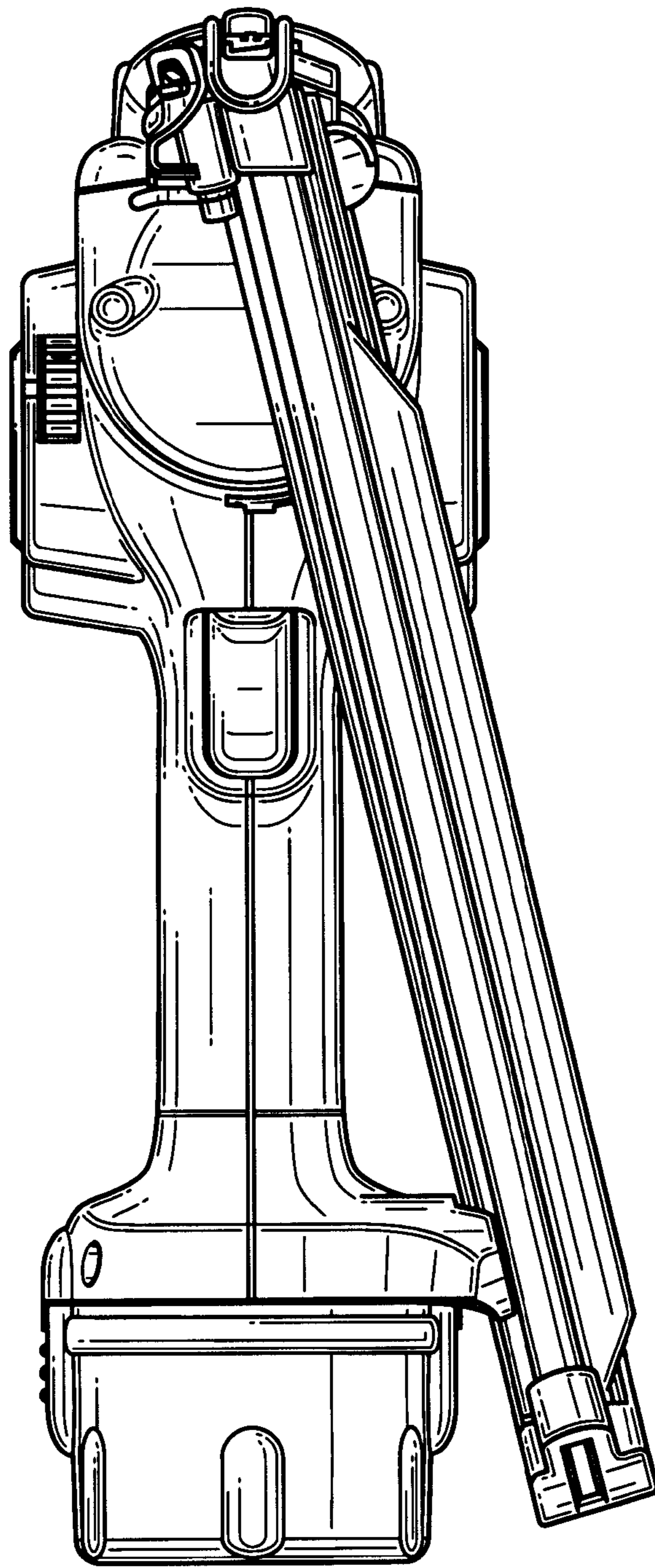


FIG. 4

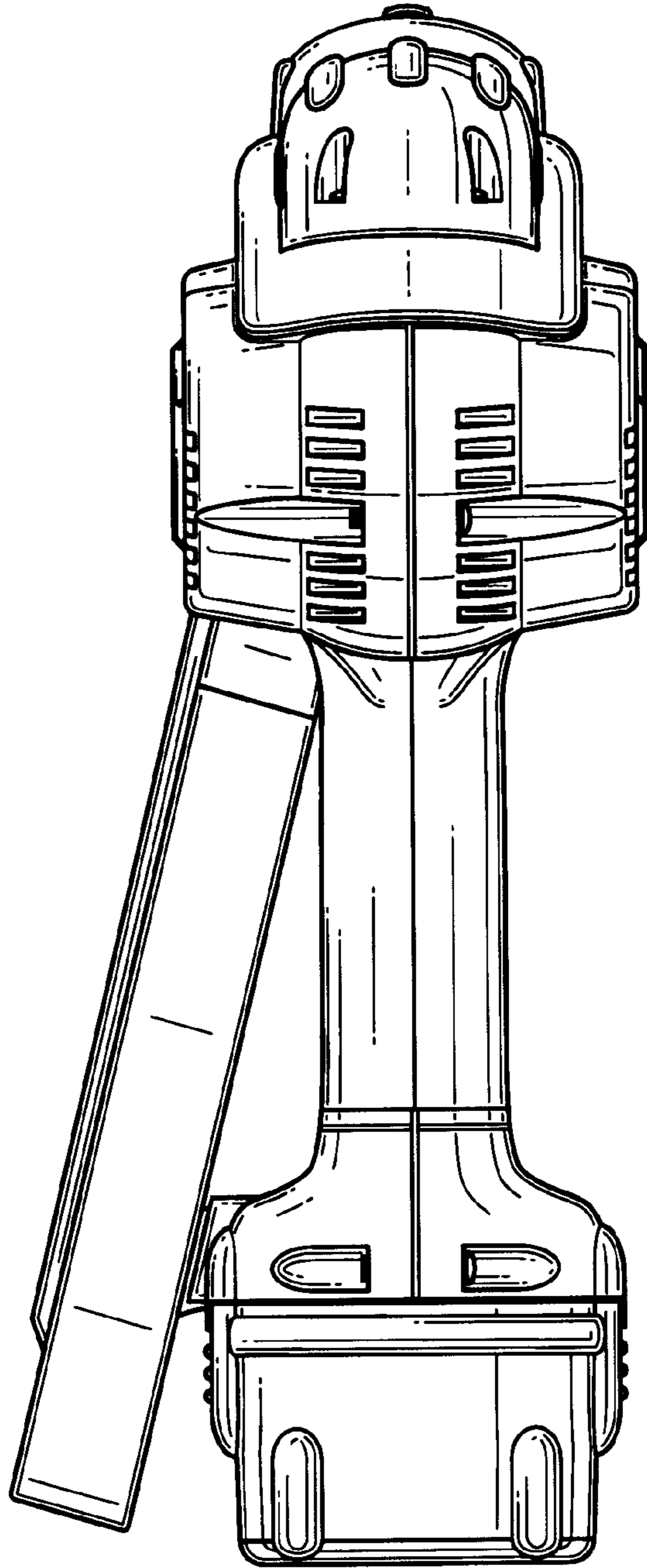


FIG. 5

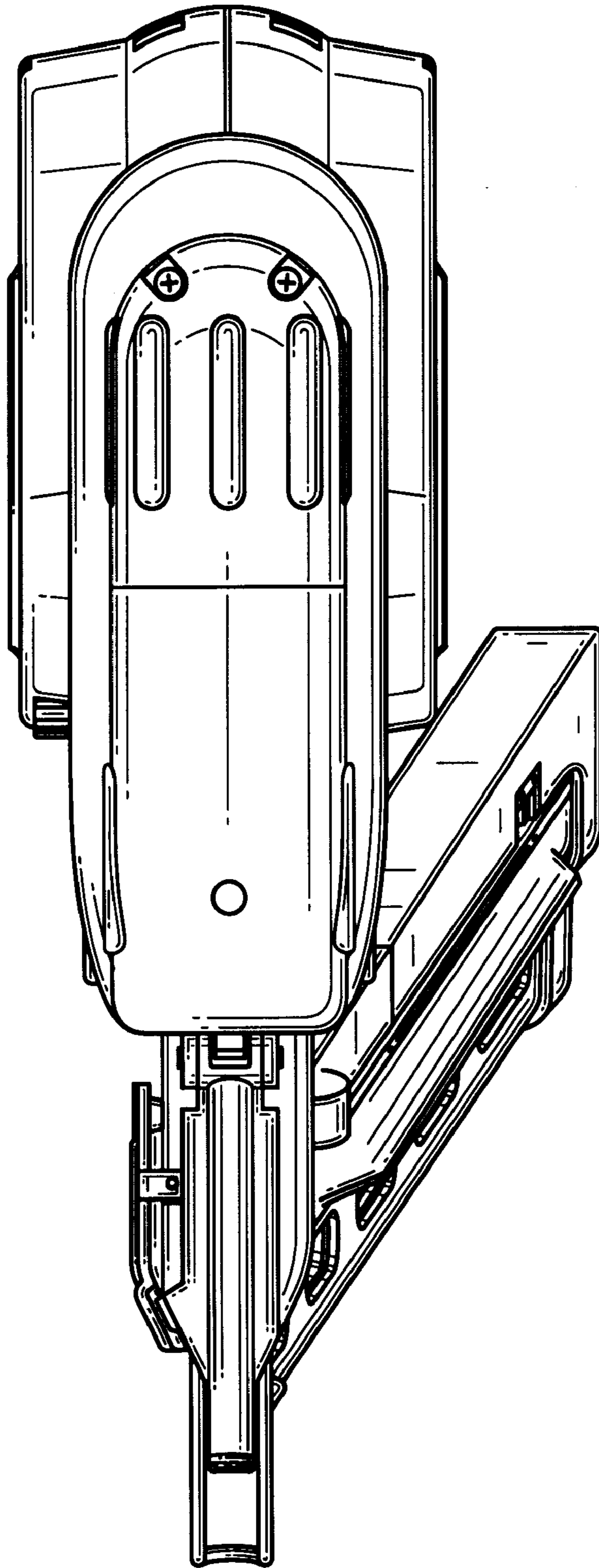


FIG. 6

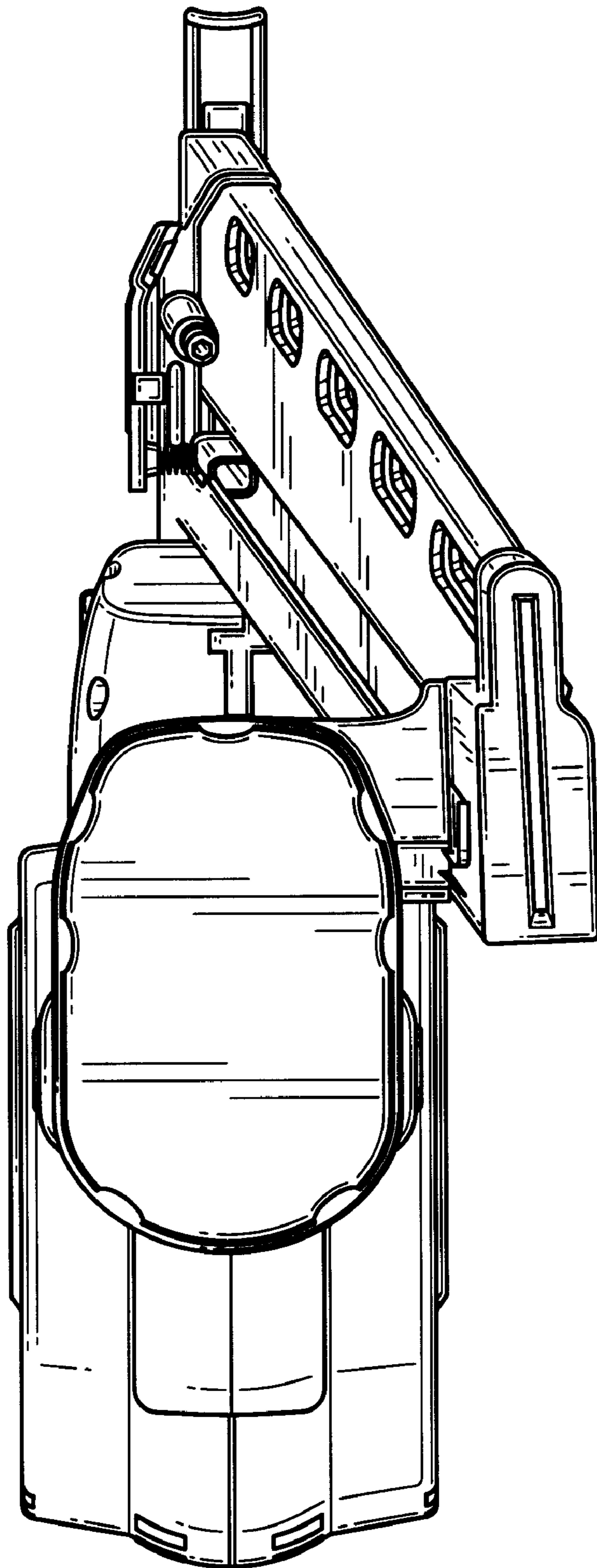


FIG. 7