



US00D440129S

(12) **United States Design Patent**
Young et al.

(10) **Patent No.:** **US D440,129 S**

(45) **Date of Patent:** **** Apr. 10, 2001**

(54) **GRATER SET**

(75) Inventors: **Michael W. K. Young**, Astoria; **Wei Young**, Flushing, both of NY (US)

(73) Assignee: **Progressive International Corp.**, Kent, WA (US)

(**) Term: **14 Years**

(21) Appl. No.: **29/121,872**

(22) Filed: **Apr. 12, 2000**

(51) **LOC (7) Cl.** **07-04**

(52) **U.S. Cl.** **D7/678**

(58) **Field of Search** D7/678; 241/93,
241/273.1-273.4, 168, 169.1

(56) **References Cited**

U.S. PATENT DOCUMENTS

- D. 331,687 * 12/1992 Pujol Gilbert D7/678
- D. 354,886 * 1/1995 Diefenbach D7/678
- 2,615,486 * 10/1952 Marcus 241/168
- 2,720,234 * 10/1955 Fett 241/273.1
- 4,212,431 * 7/1980 Doyel 241/273.1 X

* cited by examiner

Primary Examiner—Terry A. Wallace

(74) *Attorney, Agent, or Firm*—John R. Benefiel

(57) **CLAIM**

The ornamental design for a grater set, as shown and described.

DESCRIPTION

FIG. 1 is a perspective view of a grater set according to the present invention.

FIG. 2 is a side elevational view of the grater set shown in FIG. 1, each side being identical.

FIG. 3 is a top view of the grater set shown in FIGS. 1 and 2.

FIG. 4 is a right end view of the grater set shown in FIGS. 1-3.

FIG. 5 is a left end view of the grater set shown in FIGS. 1-4.

FIG. 6 is a bottom view of the grater set shown in FIGS. 1-5.

FIG. 7 is a top view of the grater set shown in FIGS. 1-6, with the top removed and a stored fine cut grater plate in position on the container.

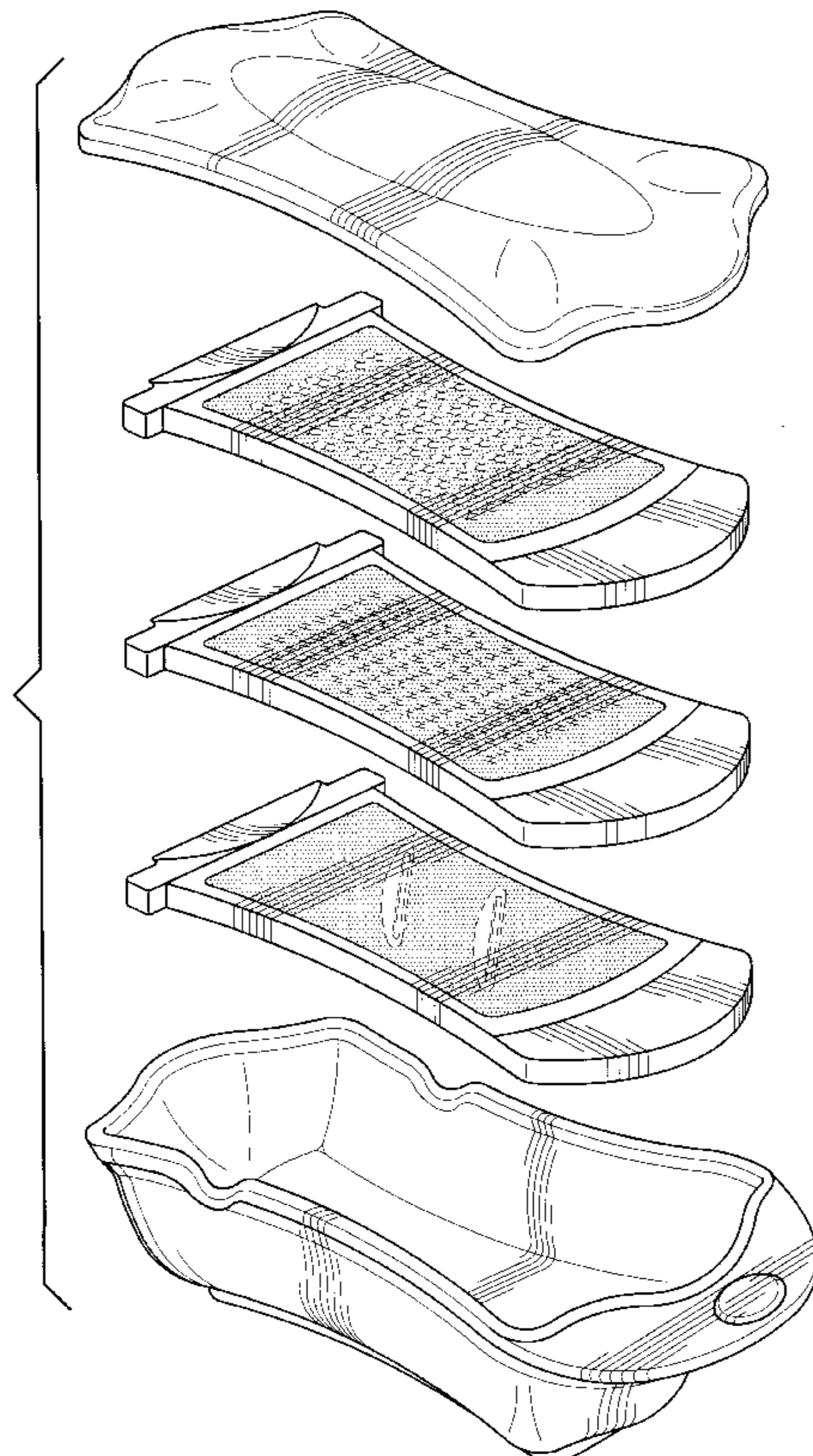
FIG. 8 is a top view of the grater set shown in FIGS. 1-6 with the top removed and stored coarse cut grater in position on the grater container.

FIG. 9 is a top view of the grater set with the top removed and a slicer grater plate in position on the grater container; and,

FIG. 10 is an exploded perspective view of the grater set according to the invention.

The broken lines are for illustrative purposes only and form no part of the claimed design.

1 Claim, 4 Drawing Sheets



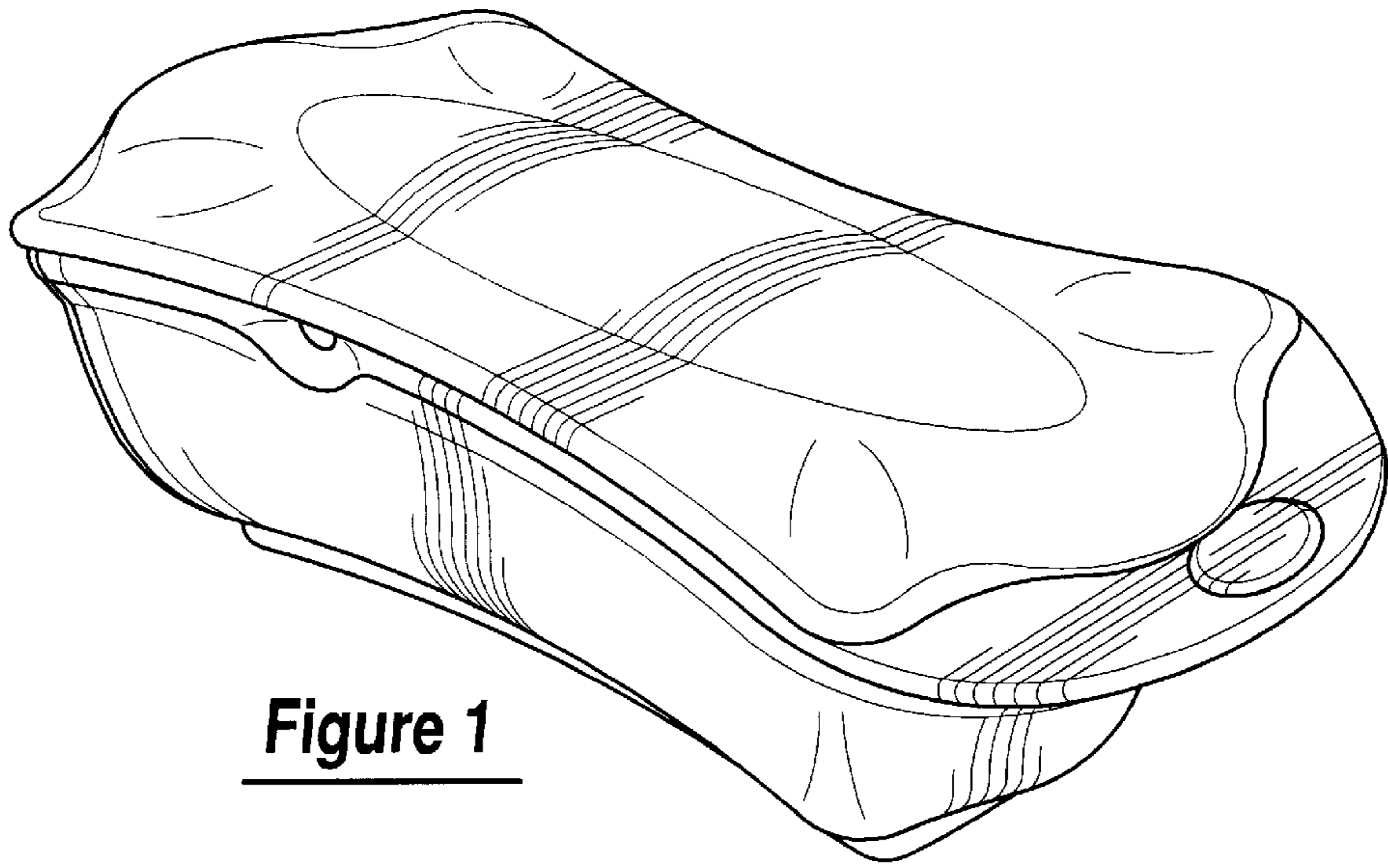


Figure 1

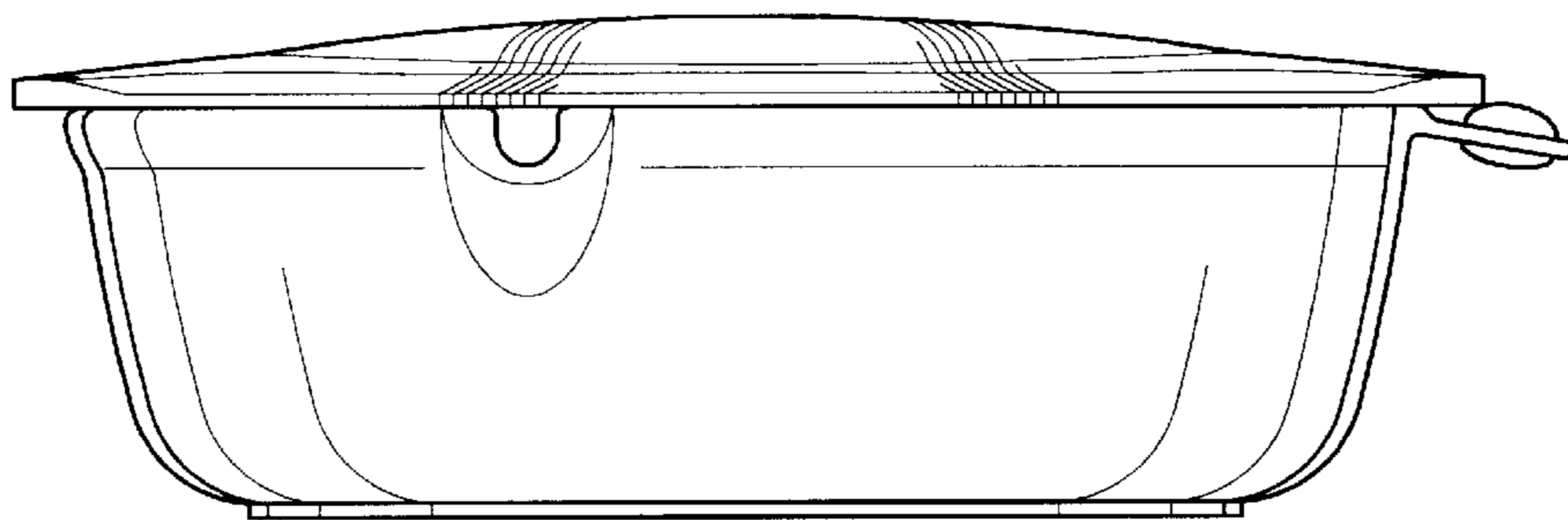


Figure 2

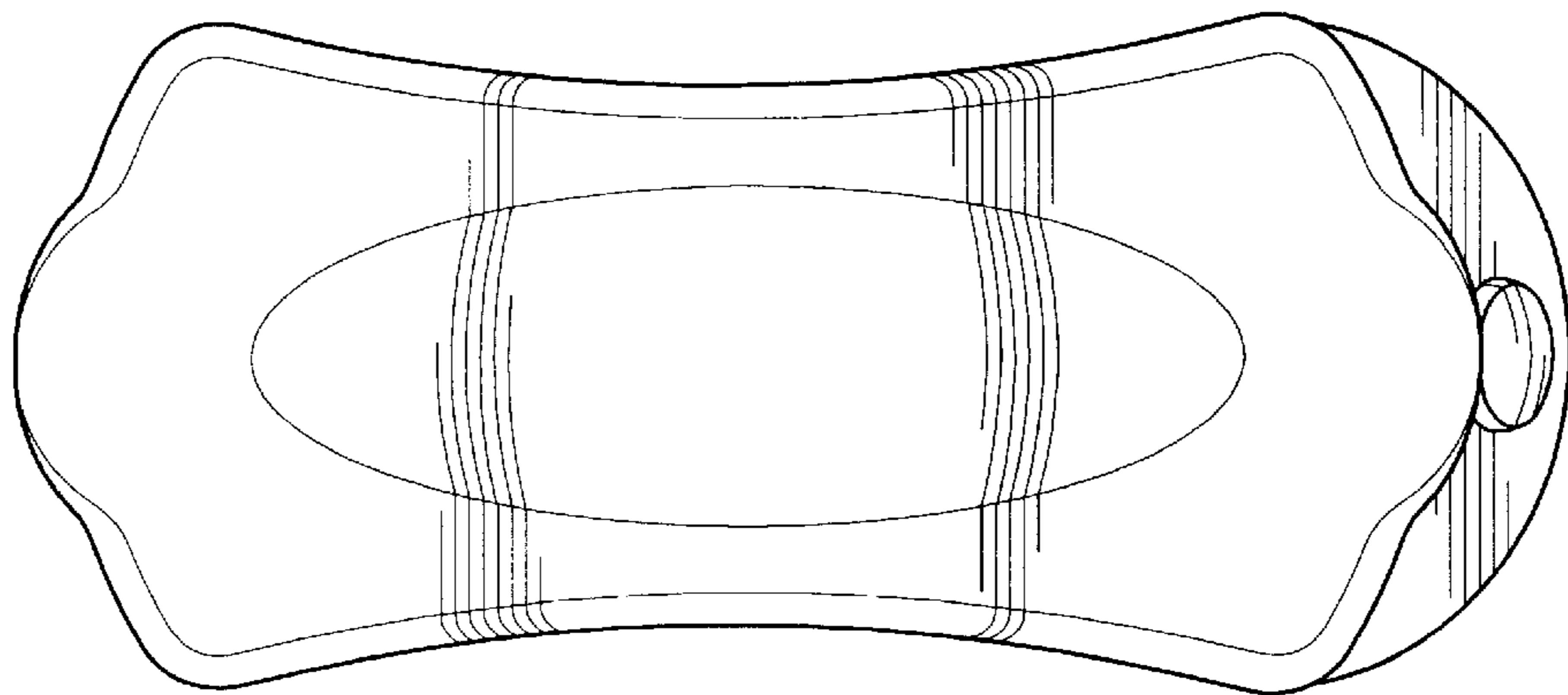


Figure 3

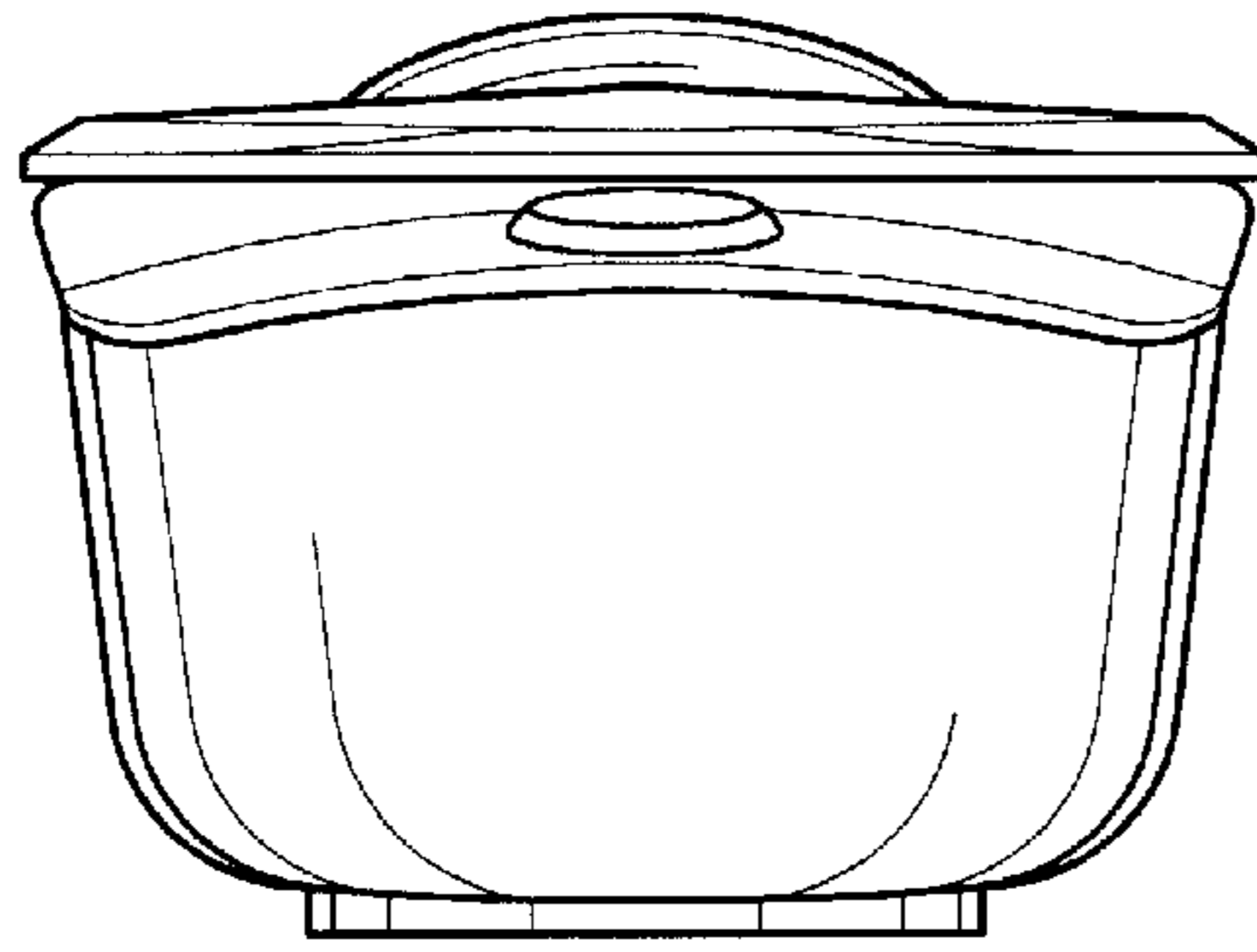


Figure 4

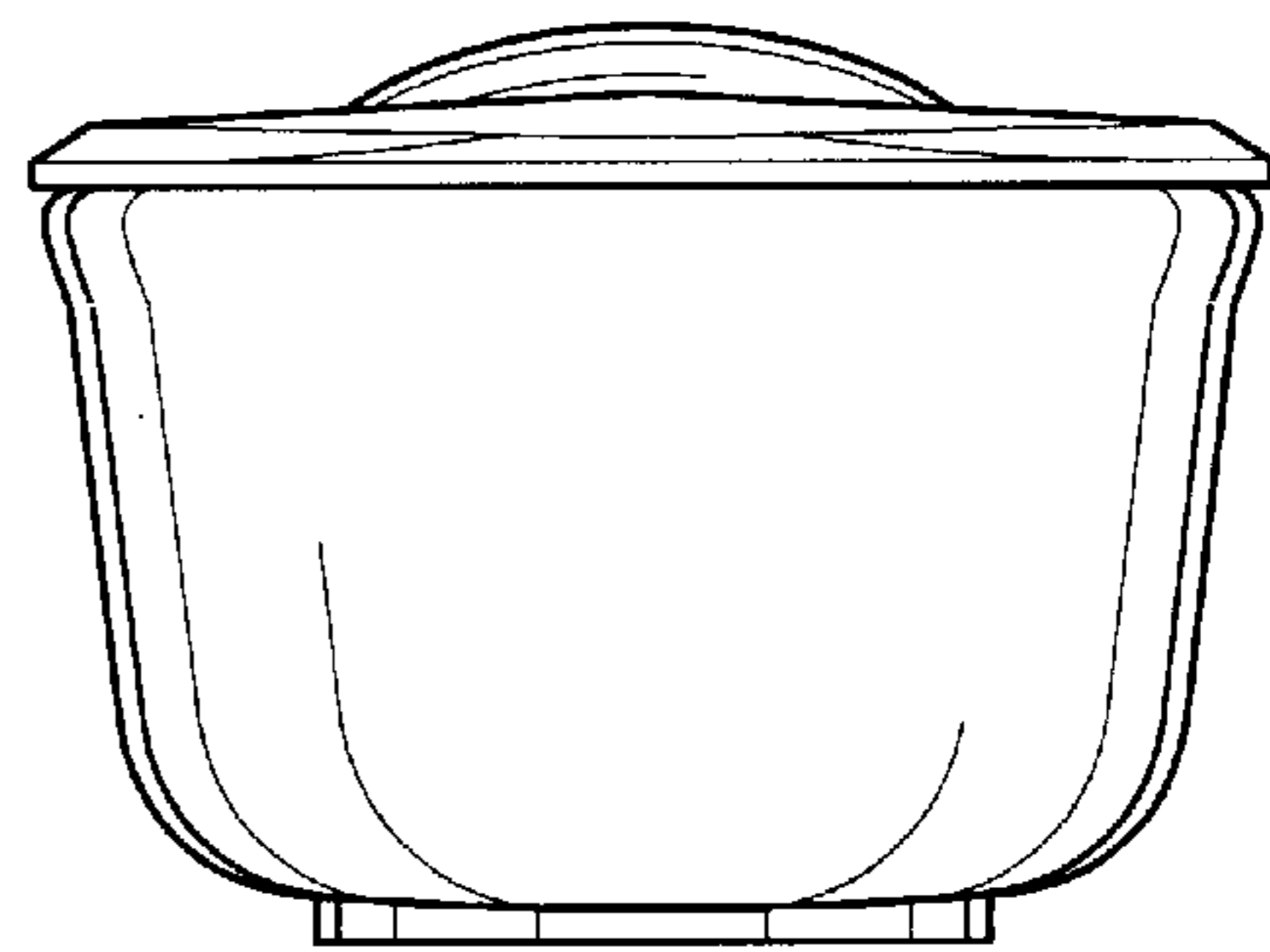


Figure 5

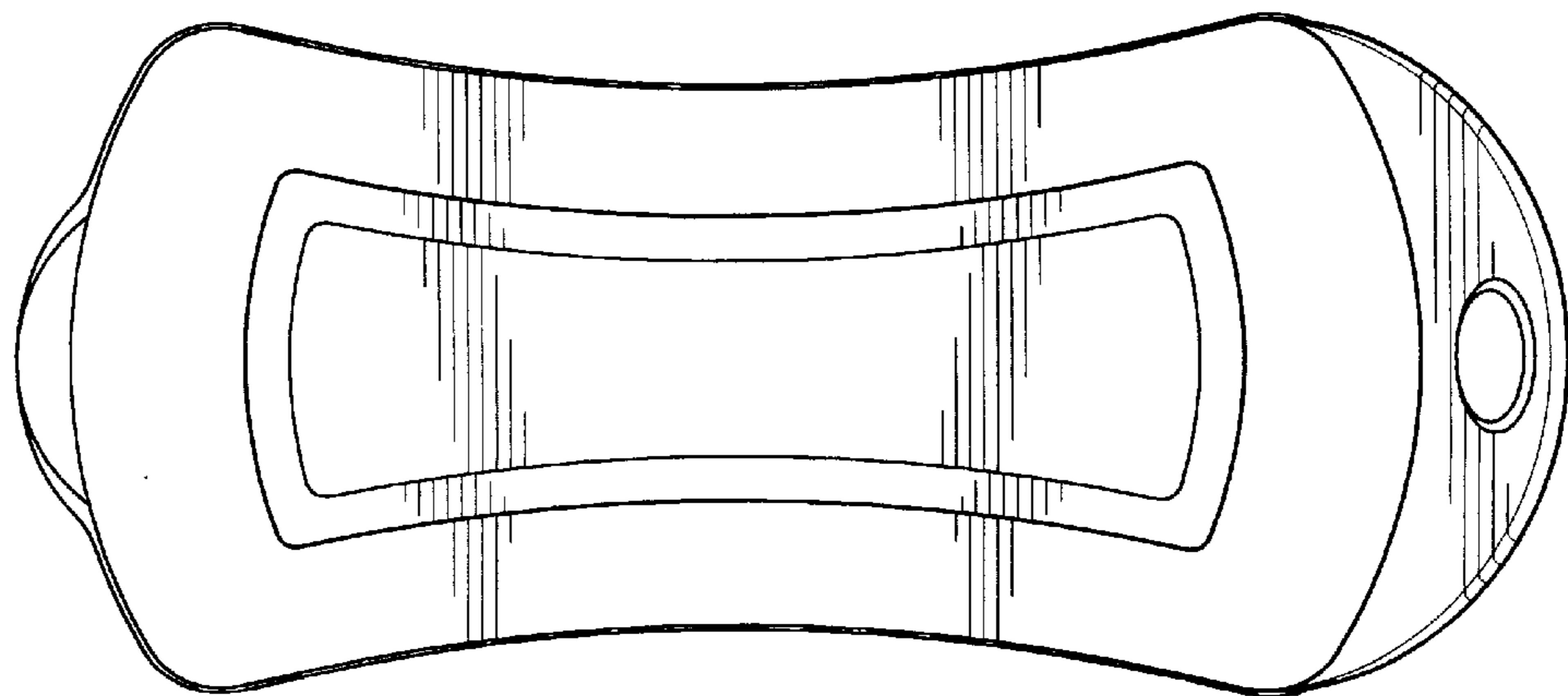


Figure 6

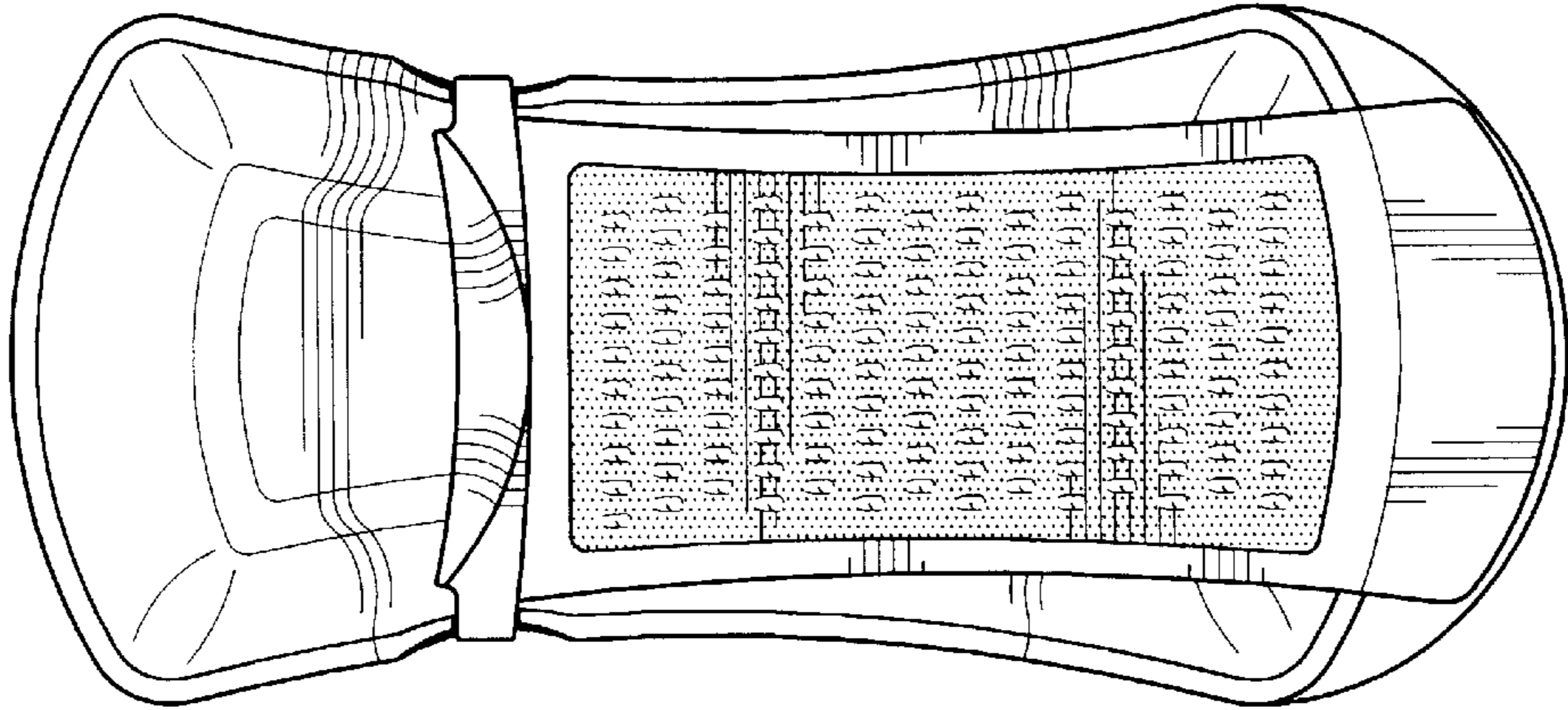


Figure 7

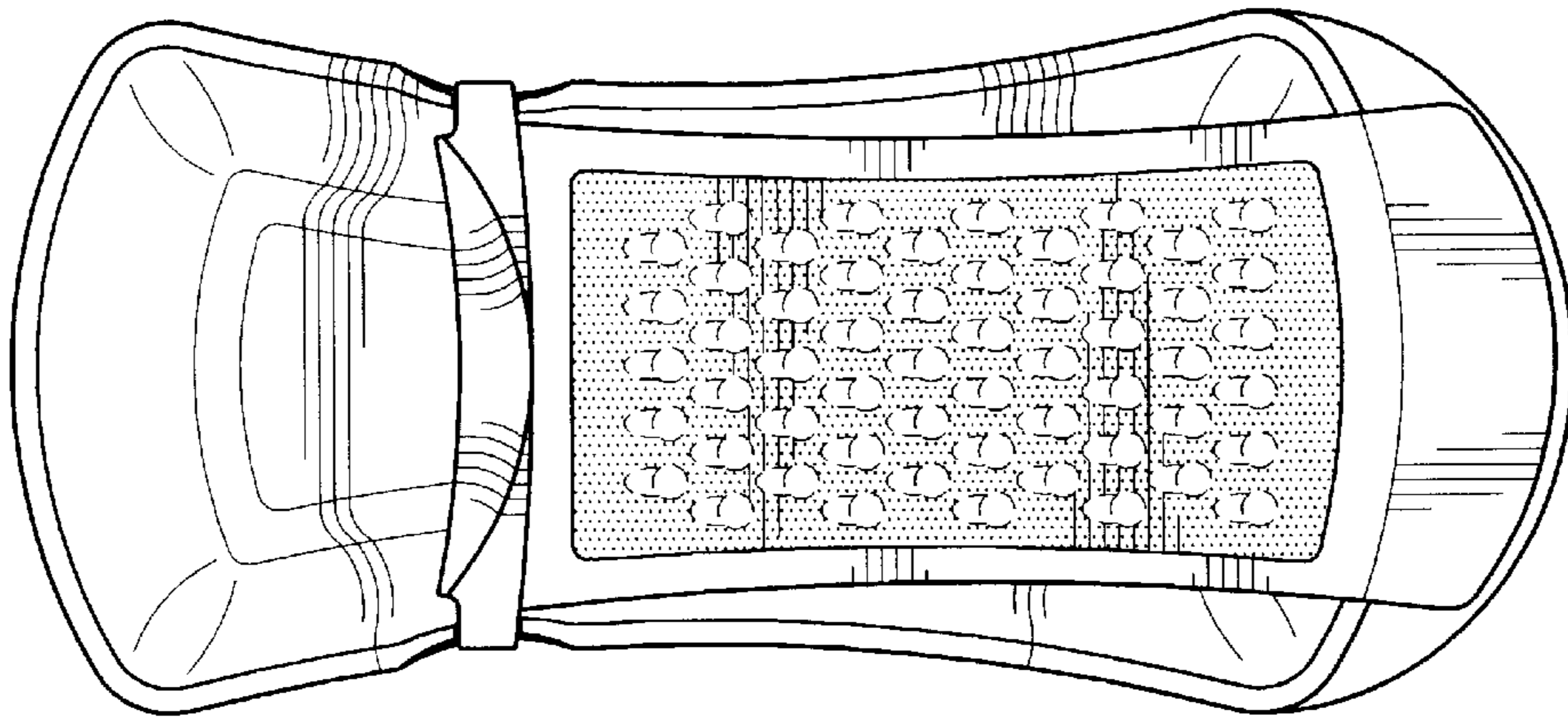


Figure 8

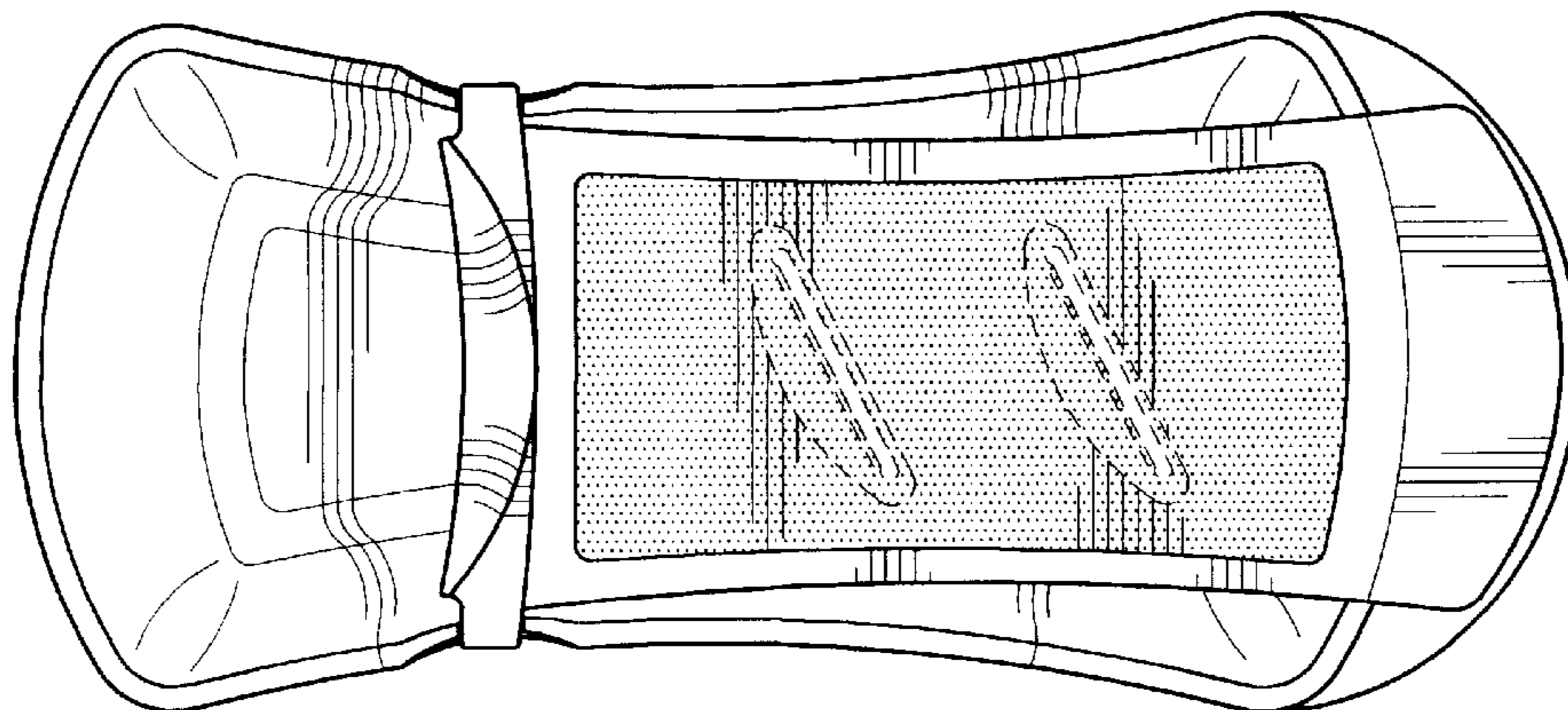


Figure 9

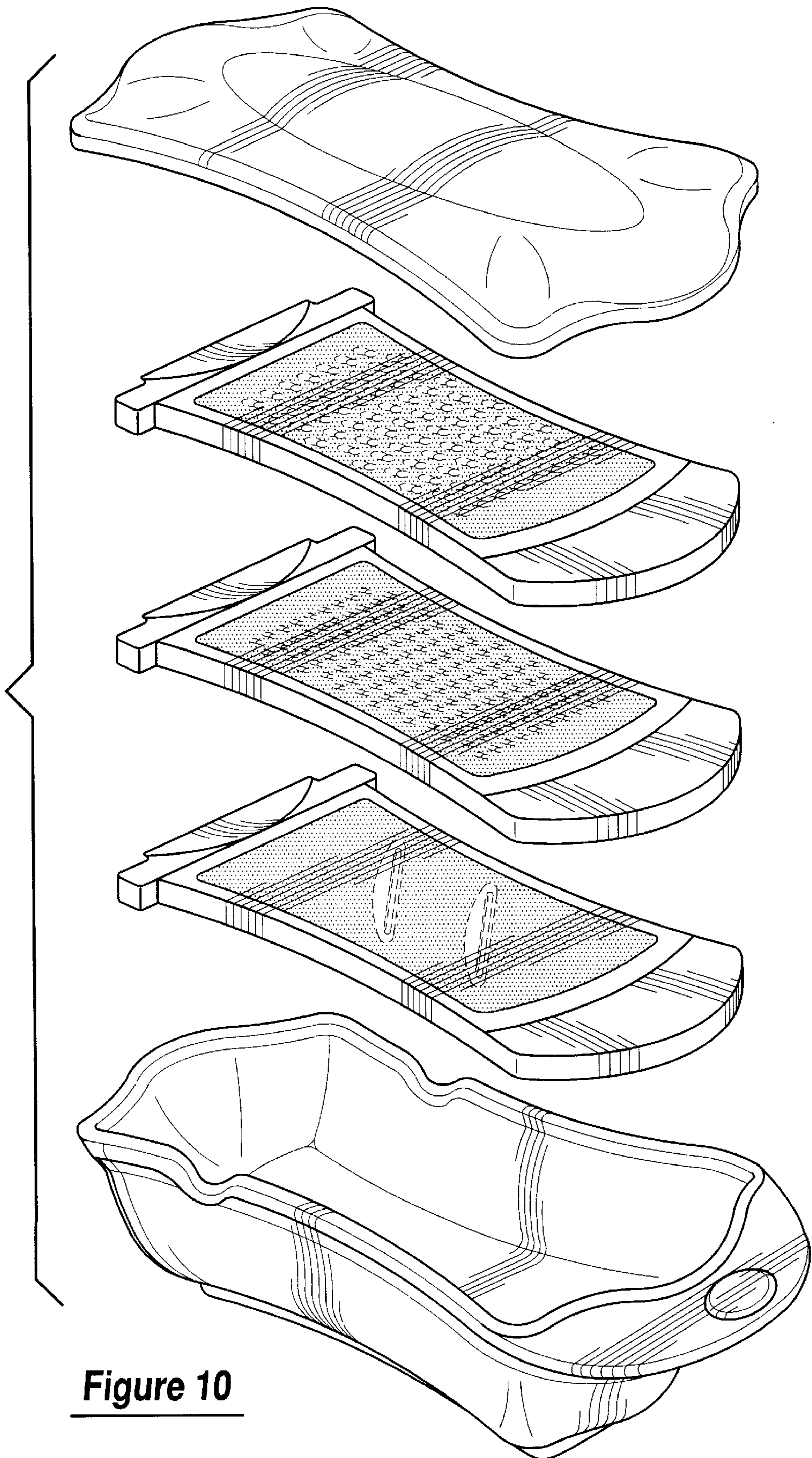


Figure 10