



US00D440127S

(12) **United States Design Patent**  
**Young et al.**

(10) **Patent No.: US D440,127 S**

(45) **Date of Patent: \*\* Apr. 10, 2001**

(54) **COLANDER**

(75) Inventors: **Michael W. K. Young**, Astoria; **Wei Young**, Flushing, both of NY (US)

(73) Assignee: **Progressive International Corp.**, Kent, WA (US)

(\*\*) Term: **14 Years**

(21) Appl. No.: **29/121,564**

(22) Filed: **Apr. 10, 2000**

(51) **LOC (7) Cl. .... 07-04**

(52) **U.S. Cl. .... D7/667**

(58) **Field of Search** ..... D7/667, 668, 400,  
D7/538-545; 210/464, 465, 466, 469, 470,  
472-474, 482, 497.01, 498

(56) **References Cited**

**U.S. PATENT DOCUMENTS**

- D. 182,479 \* 4/1958 Roop ..... D7/667
- D. 390,757 \* 2/1998 Wold et al. .... D7/667
- D. 400,765 \* 11/1998 Cohen et al. .... D7/677
- 3,300,048 \* 1/1967 Pollock ..... 210/470

\* cited by examiner

*Primary Examiner*—Terry A. Wallace

(74) *Attorney, Agent, or Firm*—John R. Benefiel

(57) **CLAIM**

The ornamental design for a colander, as shown and described.

**DESCRIPTION**

FIG. 1 is a perspective view of a first embodiment of the colander according to the present invention.

FIG. 2 is a front view of the embodiment of the colander shown in FIG. 1, the rear view being identical.

FIG. 3 is a side view of the embodiment of the colander shown in FIGS. 1 and 2, each side view being identical.

FIG. 4 is a top view of the embodiment of the colander shown in FIGS. 1-3.

FIG. 5 is a bottom view of the embodiment of the colander shown in FIGS. 1-4.

FIG. 6 is a perspective view of a second embodiment of the colander according to the invention.

FIG. 7 is a front view of the embodiment of the colander shown in FIG. 6, the rear view being identical.

FIG. 8 is a side view of the embodiment of the colander shown in FIGS. 6 and 7, each side view being identical.

FIG. 9 is a top view of the embodiment of the colander shown in FIGS. 6-8.

FIG. 10 is a bottom view of the embodiment of the colander shown in FIGS. 6-9.

FIG. 11 is a perspective view of a third embodiment of the colander according to the present invention.

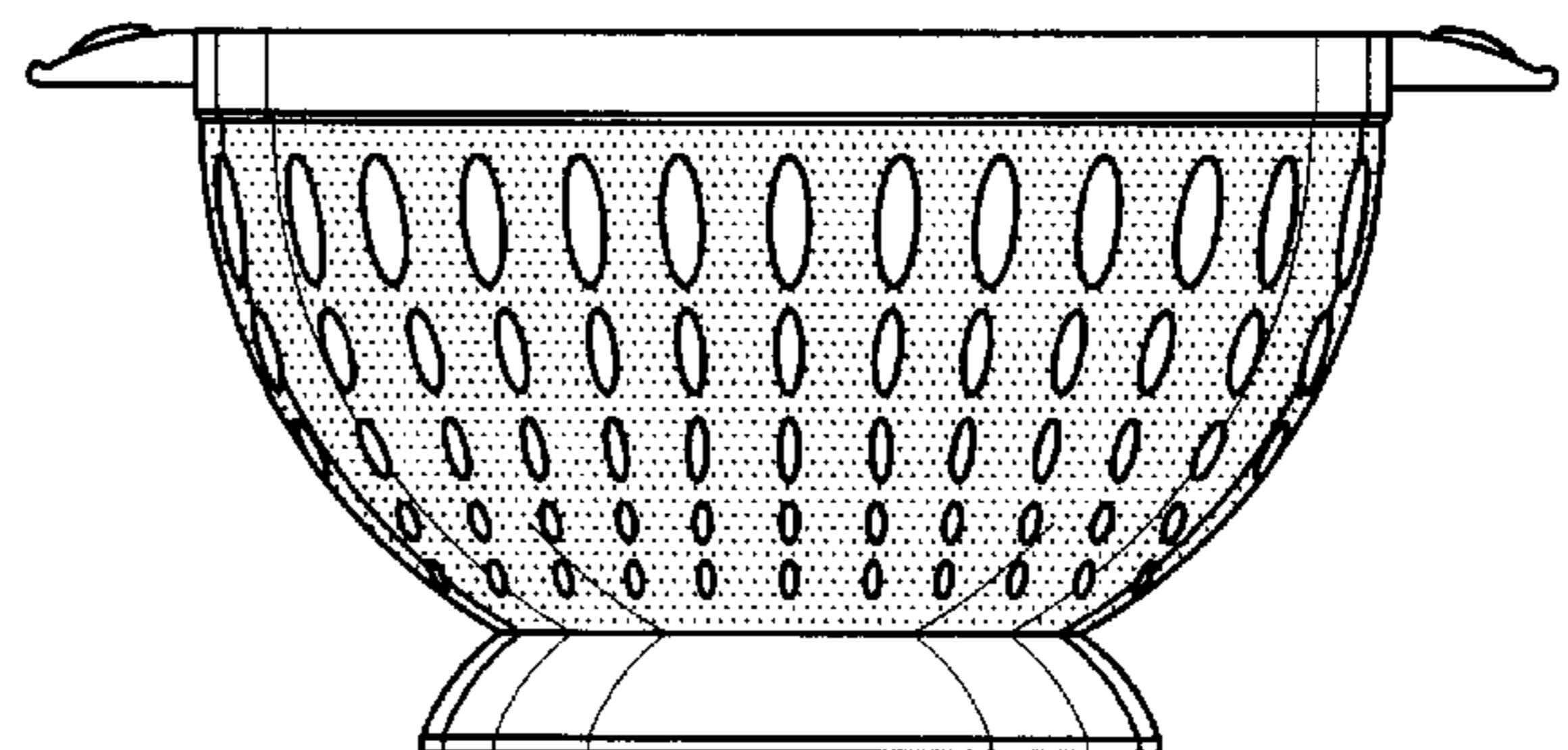
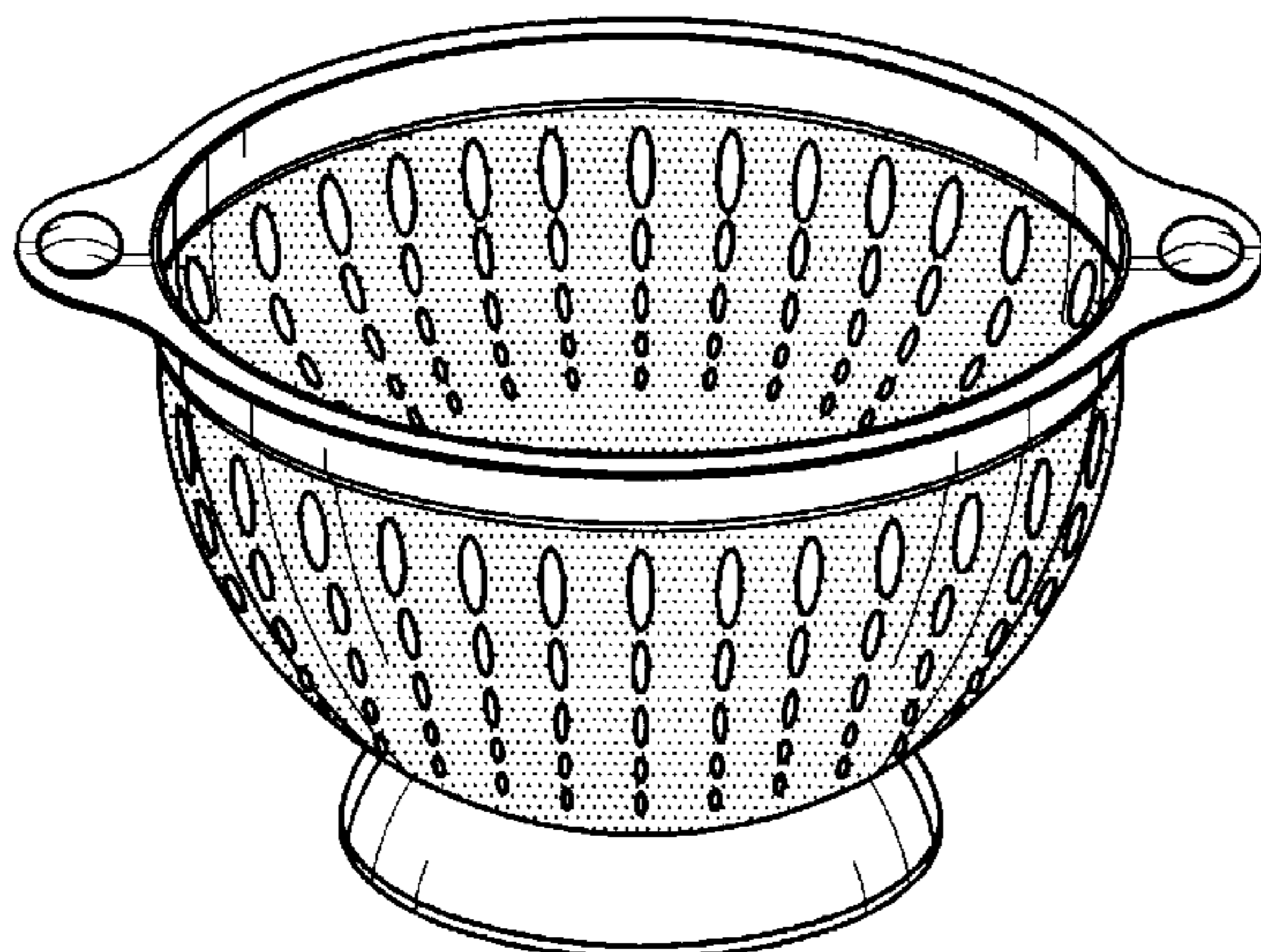
FIG. 12 is a front view of the embodiment of the colander shown in FIG. 11, the rear view being identical.

FIG. 13 is a side view of the embodiment of the colander shown in FIGS. 11 and 12, each side view being identical.

FIG. 14 is a top view of the embodiment of the colander shown in FIGS. 11-13; and,

FIG. 15 is a bottom view of the embodiment of the colander in FIGS. 11-14.

**1 Claim, 4 Drawing Sheets**



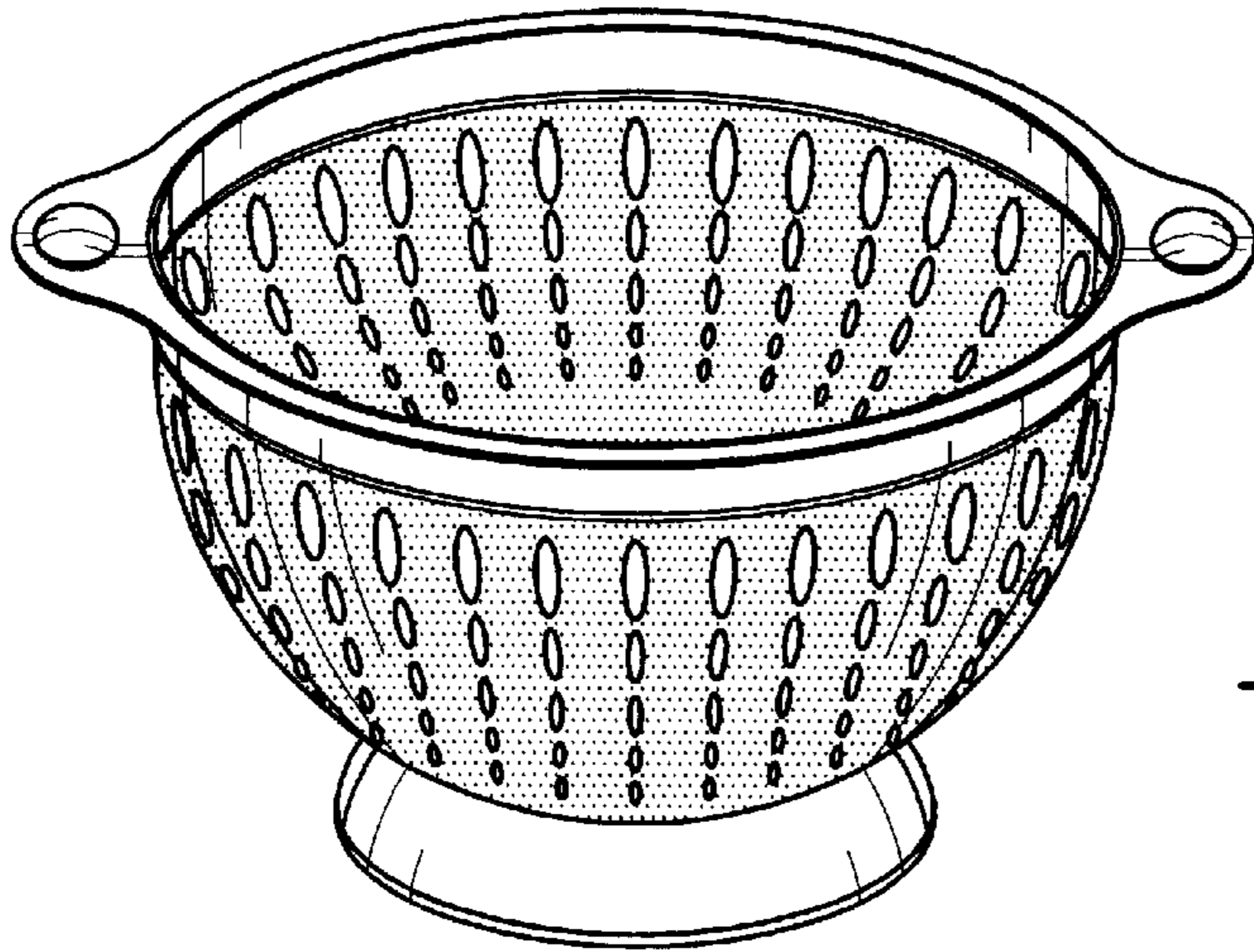


Figure 1

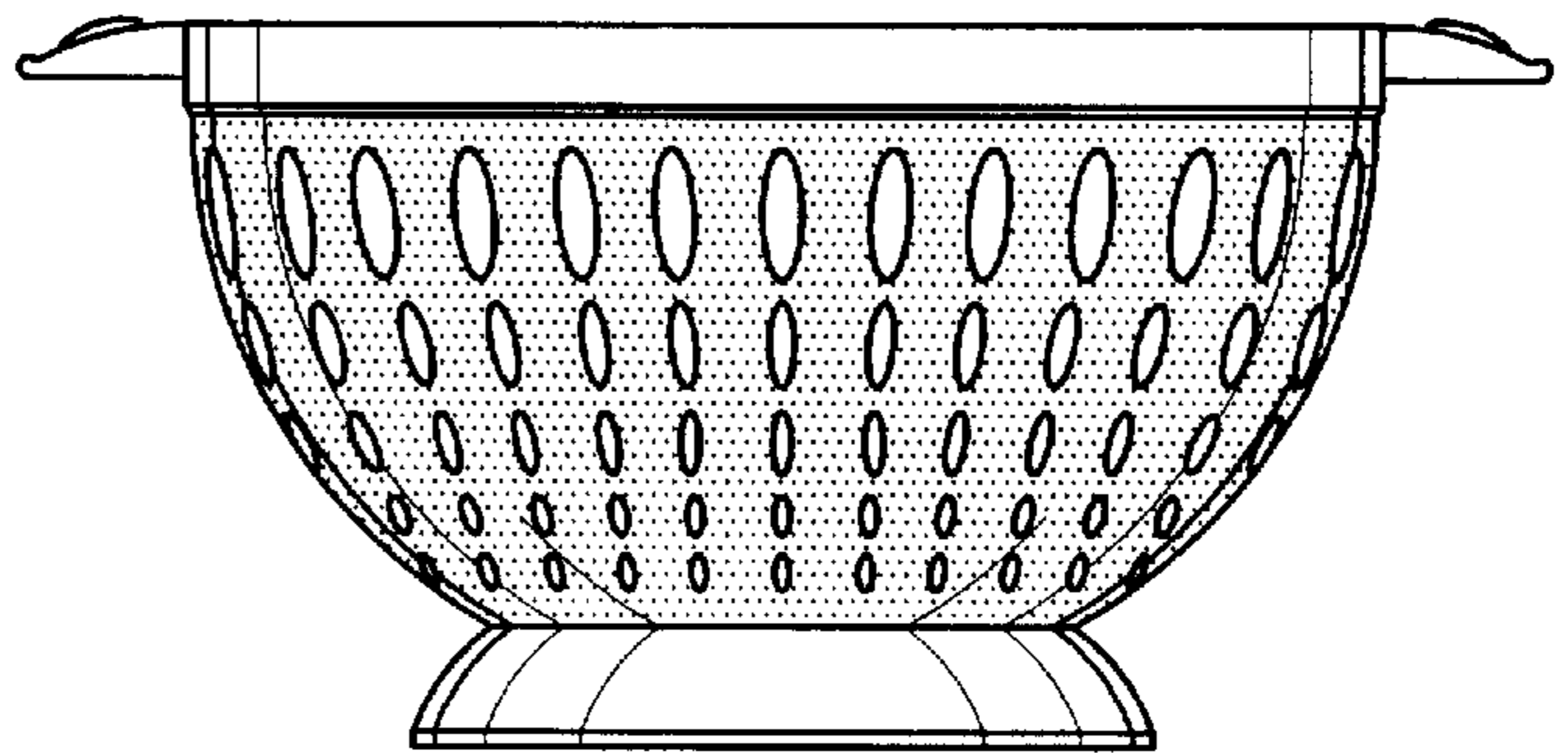


Figure 2

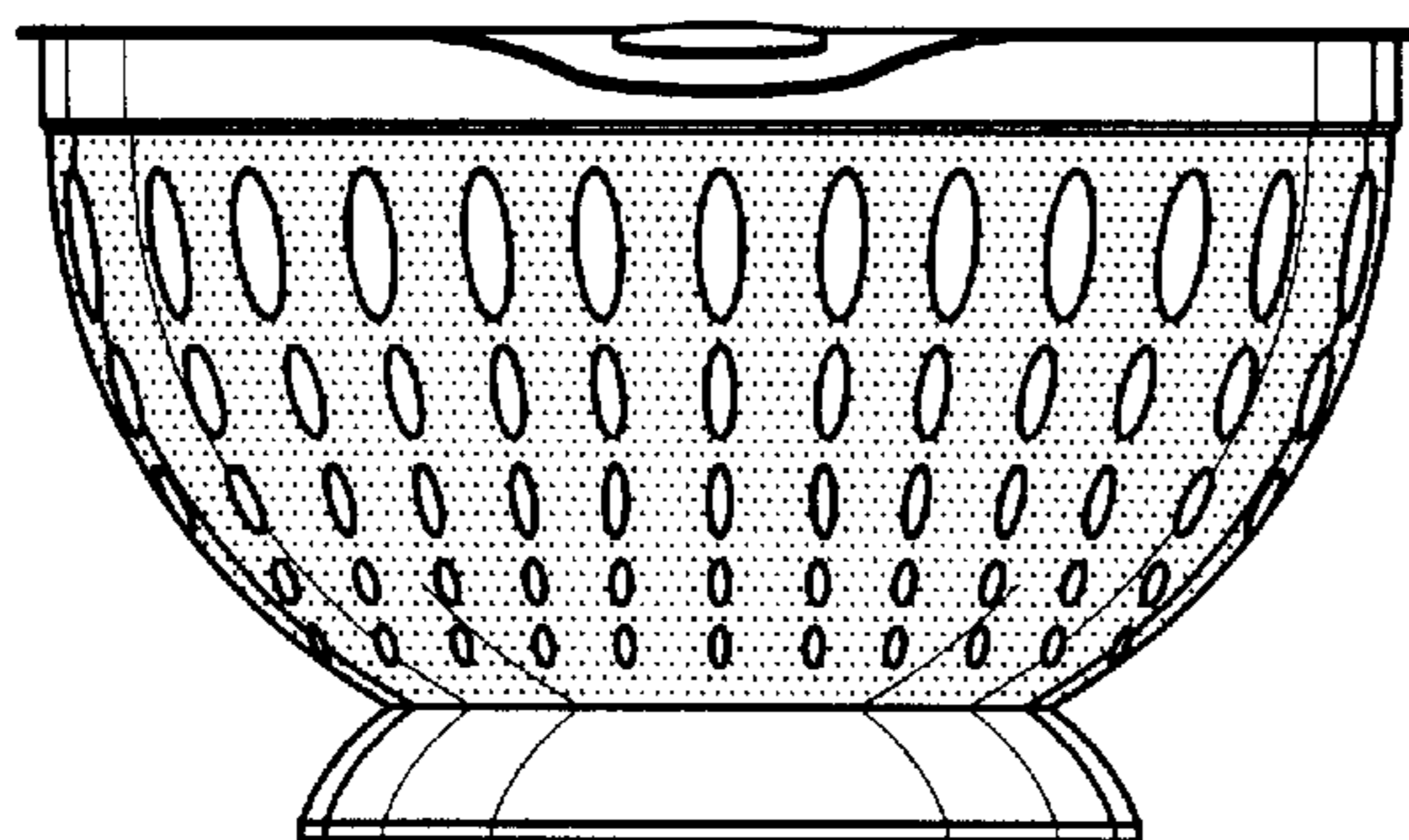


Figure 3



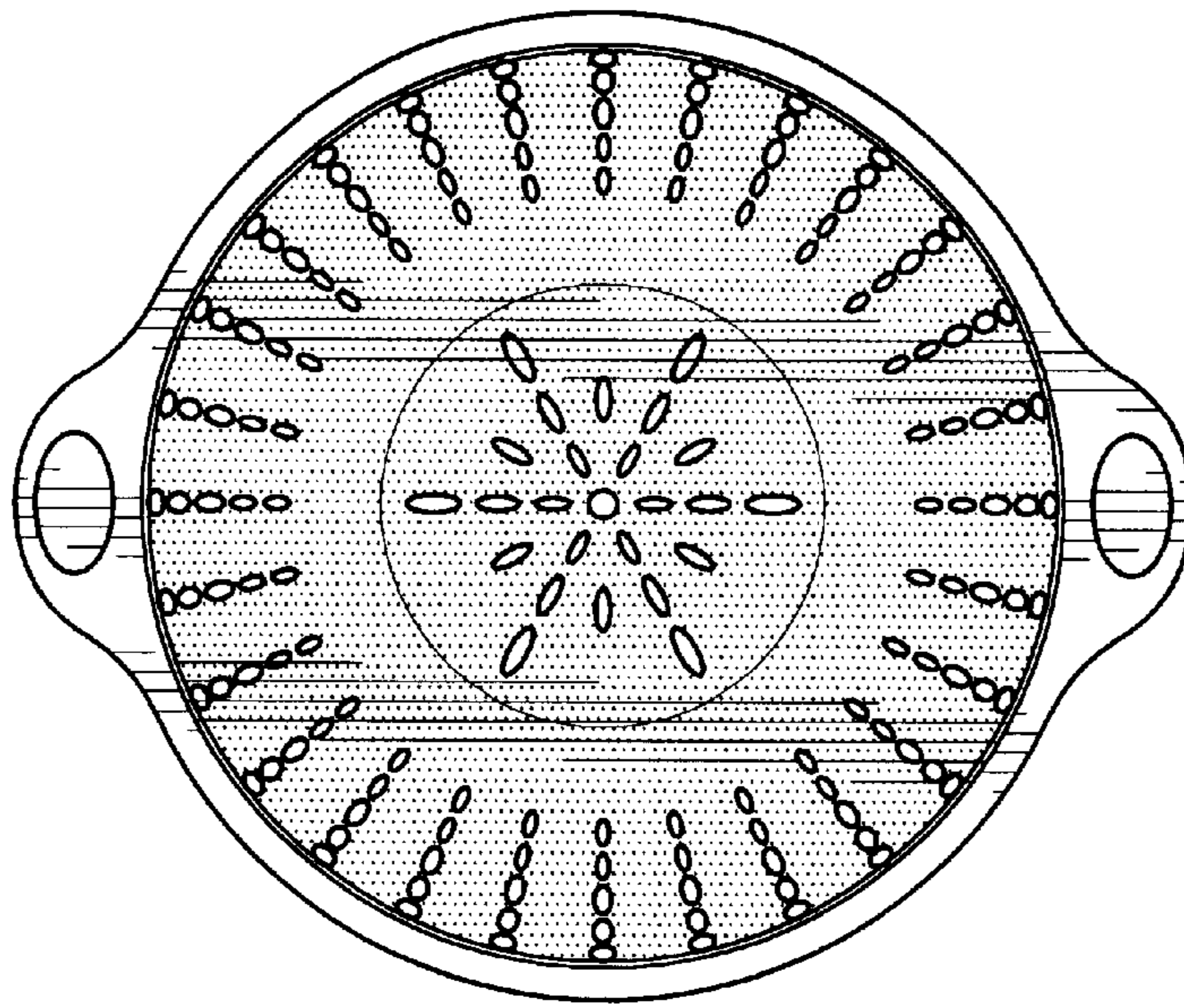


Figure 4

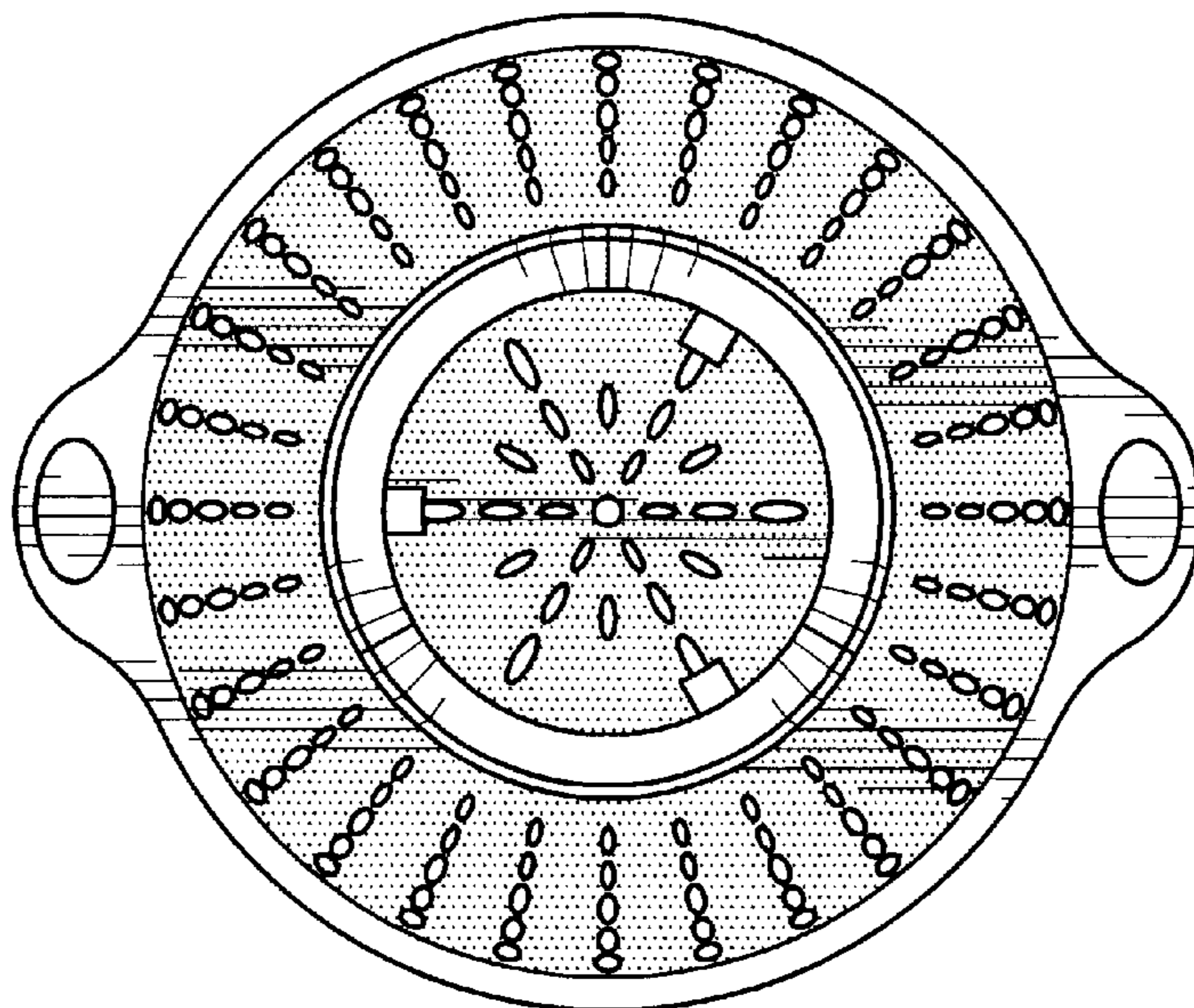
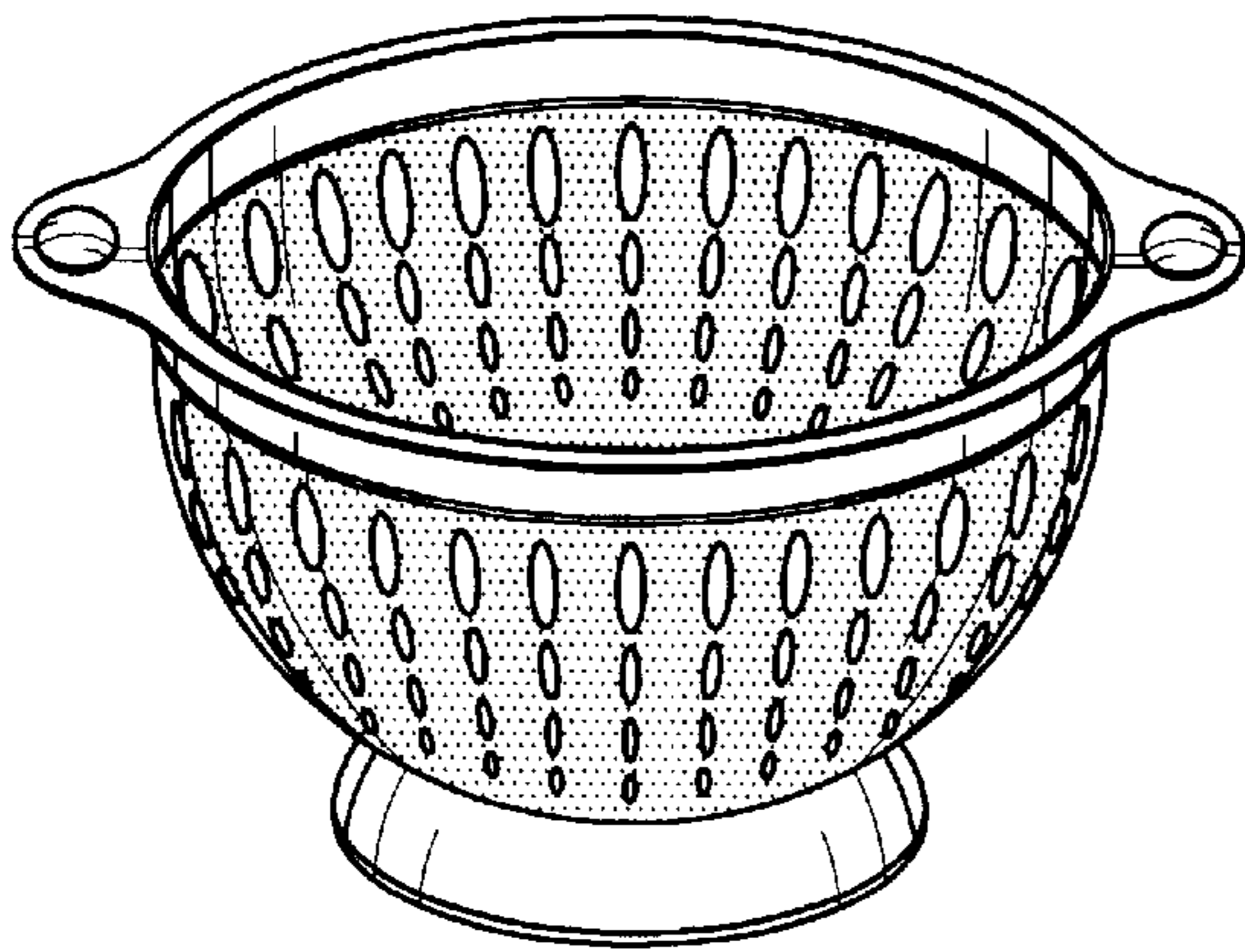
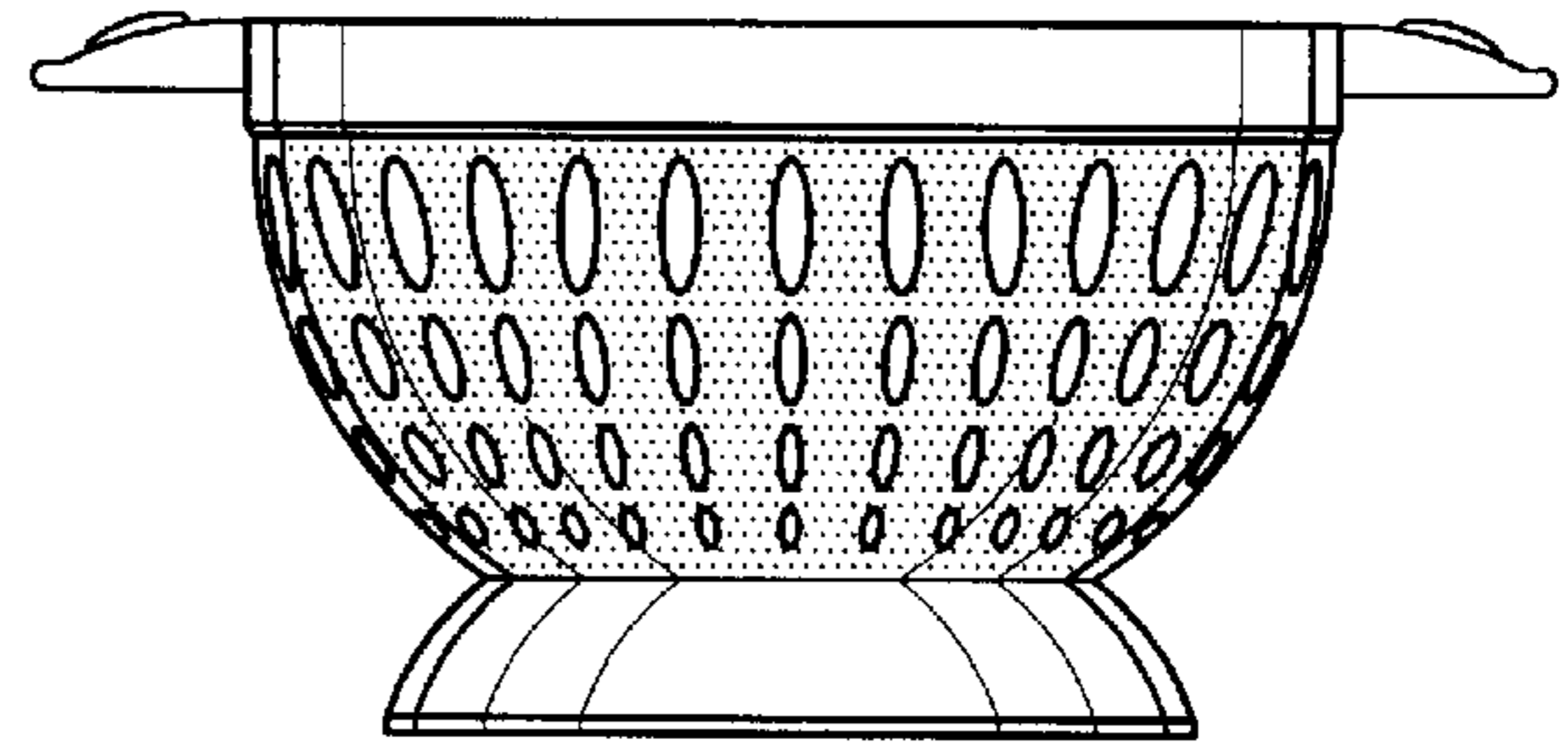


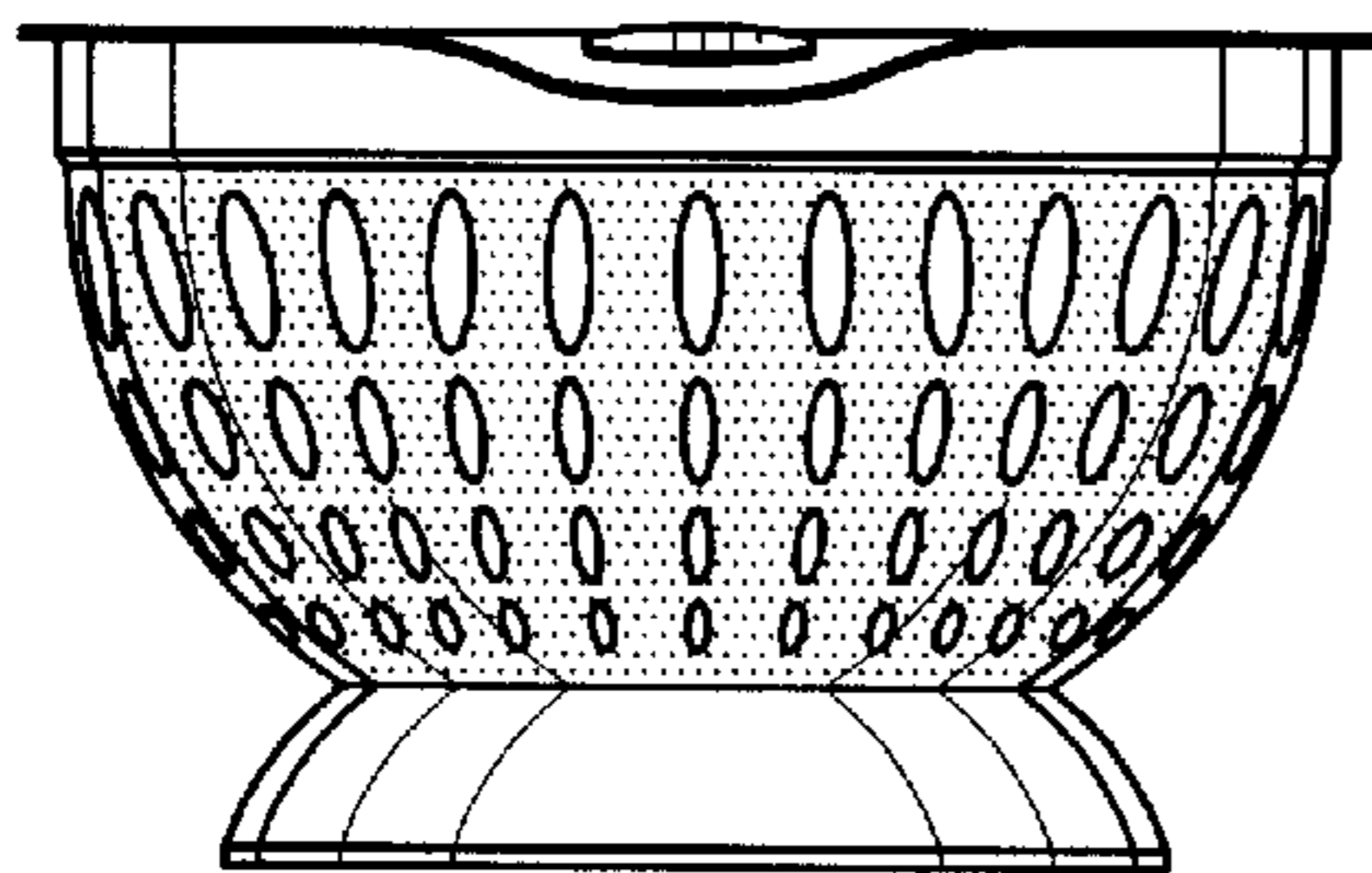
Figure 5



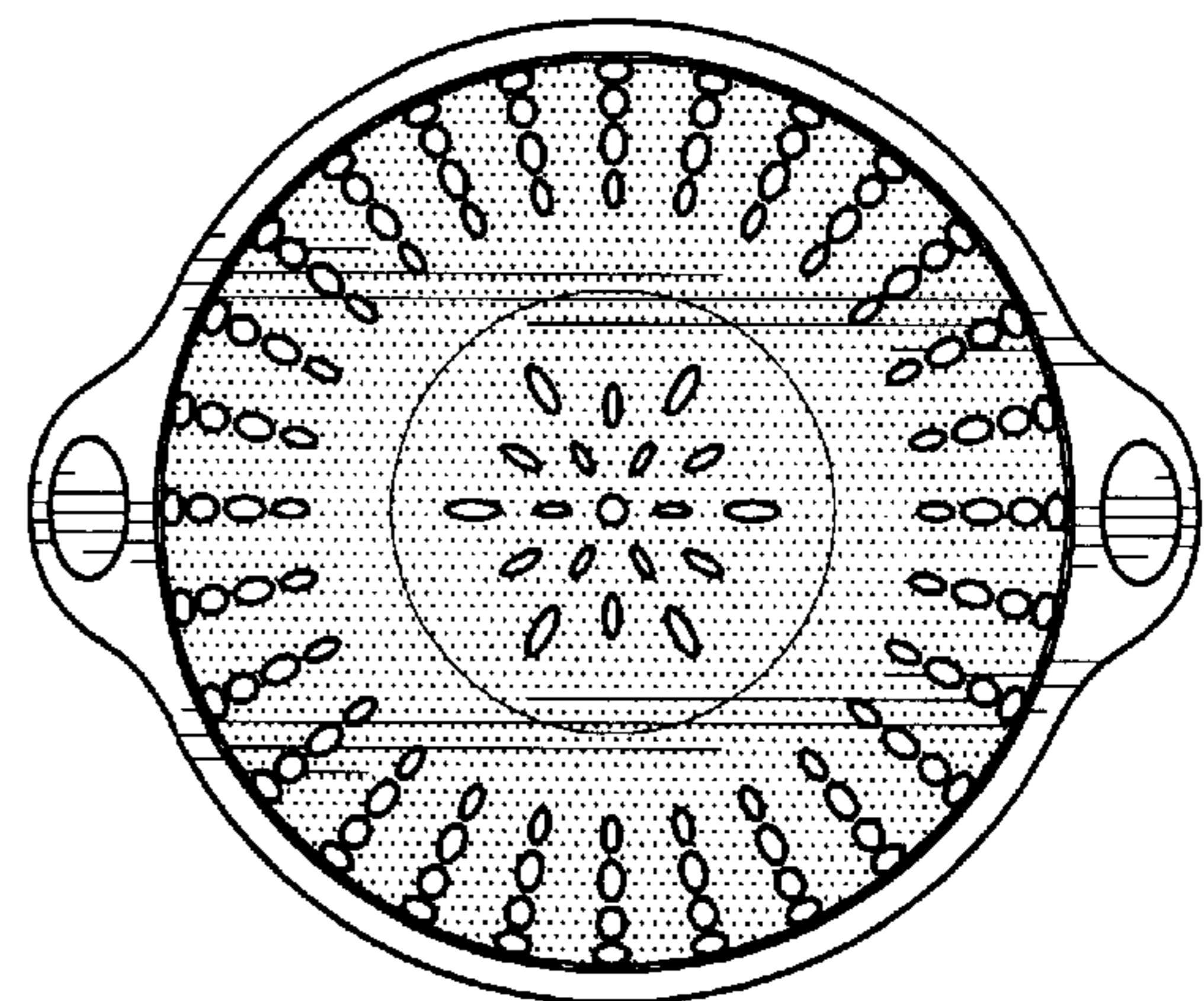
**Figure 6**



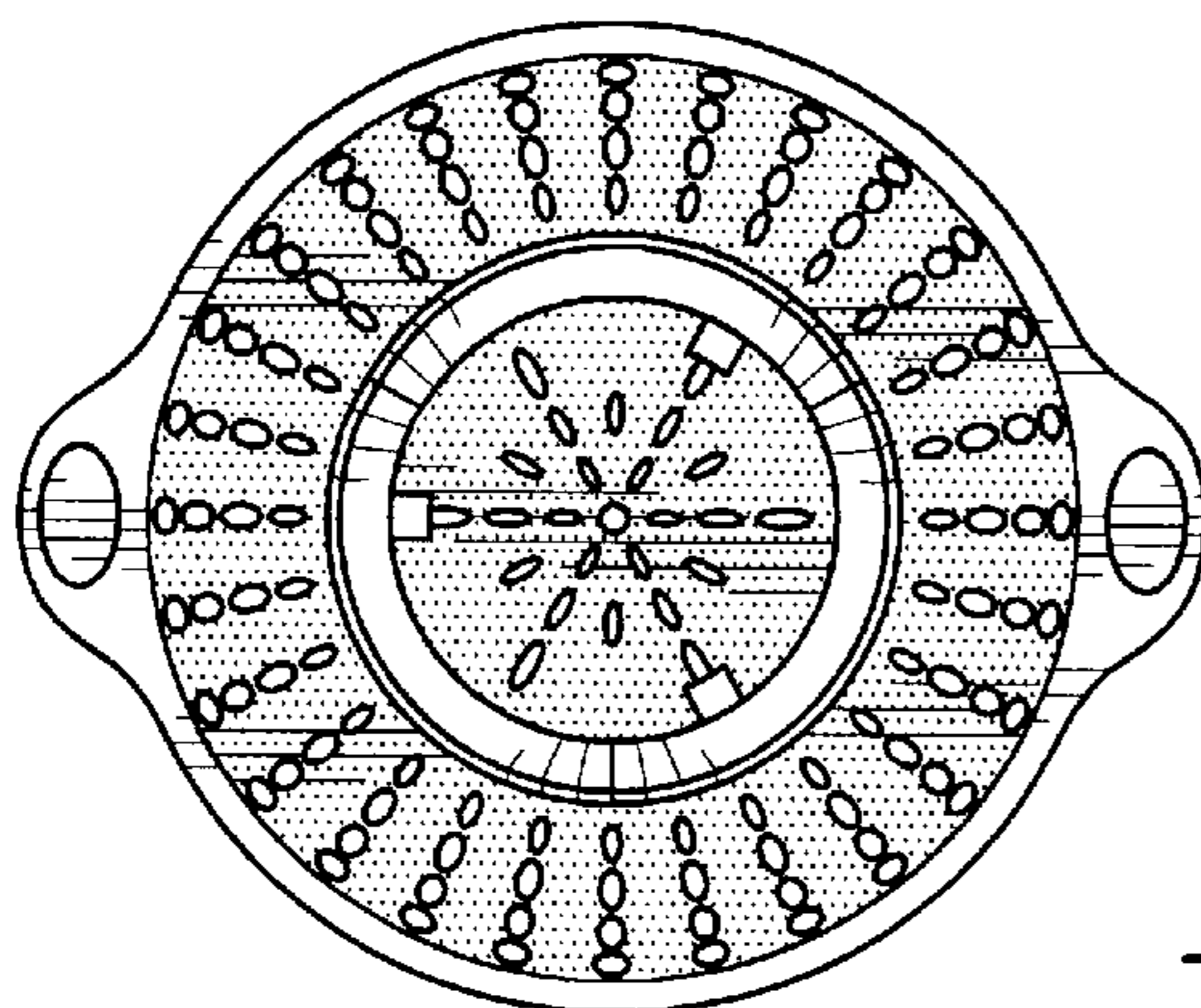
**Figure 7**



**Figure 8**

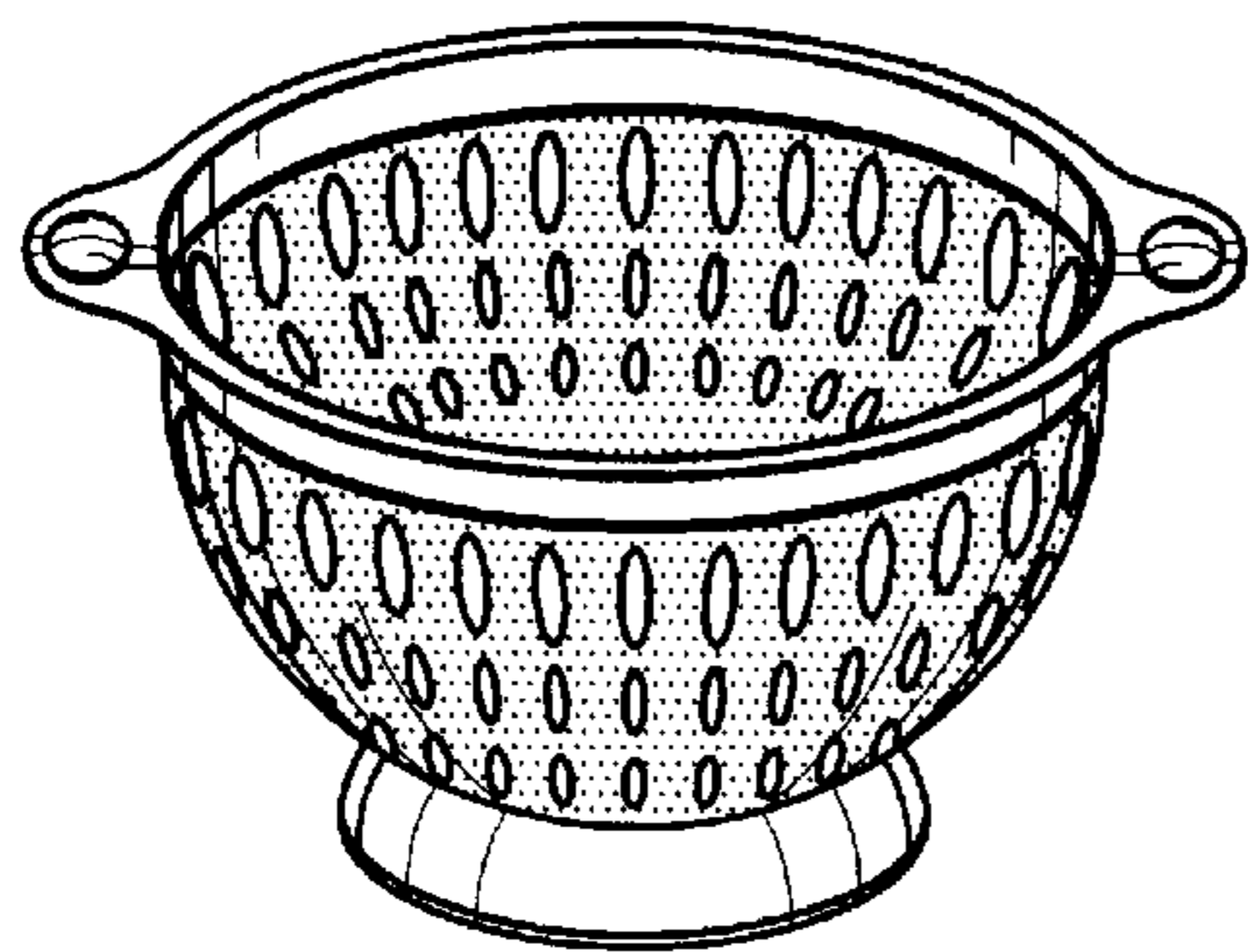


**Figure 9**

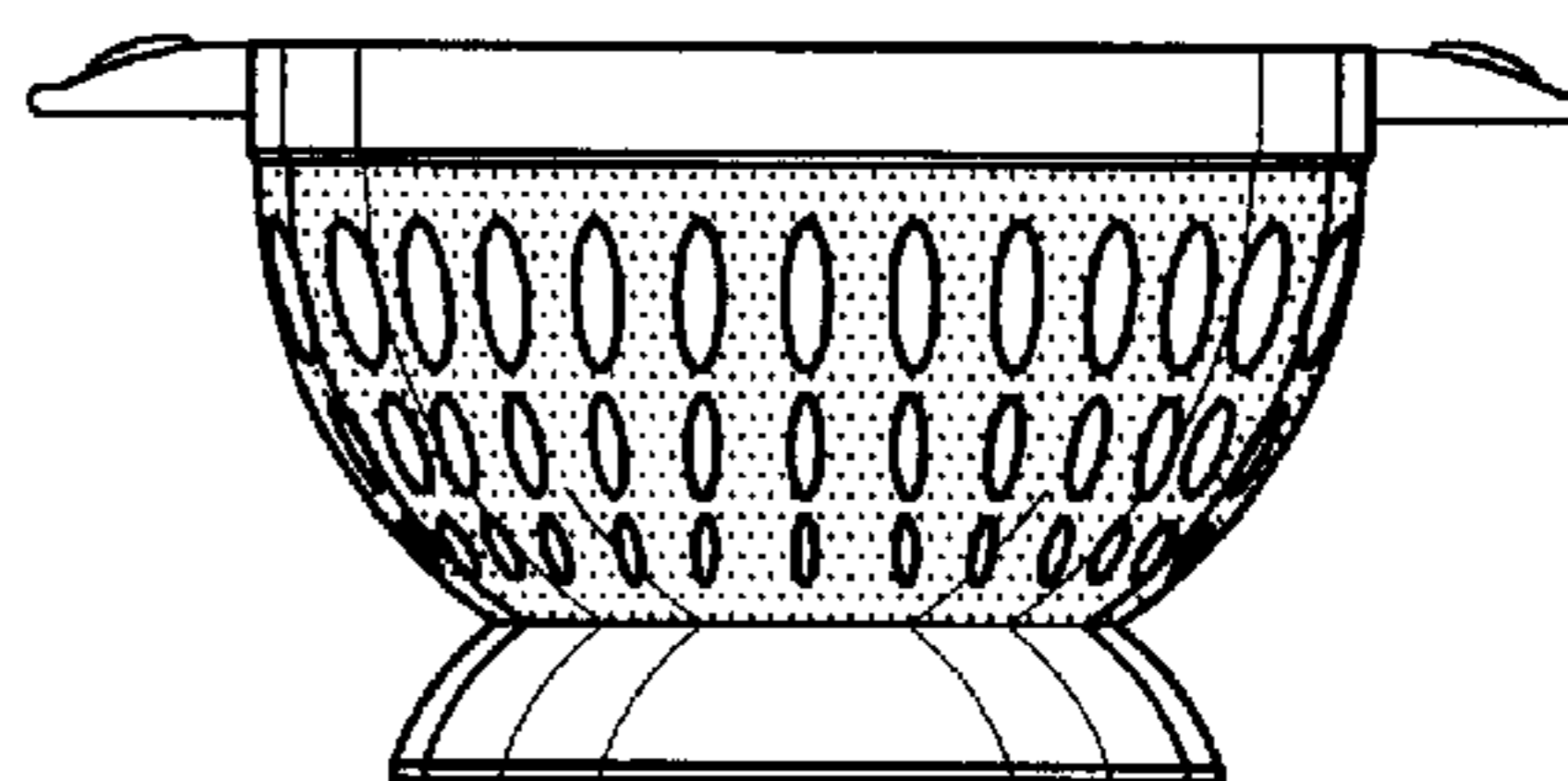


**Figure 10**

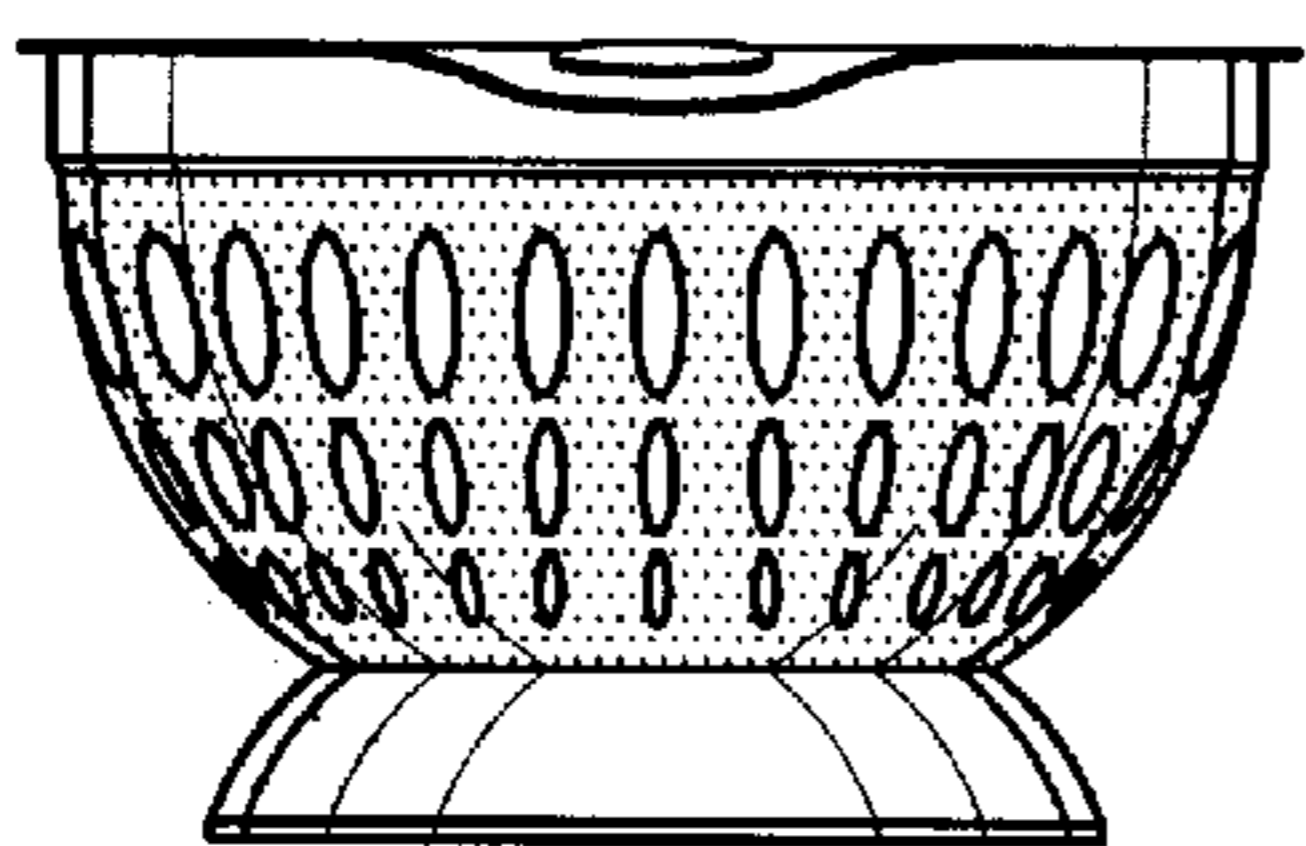




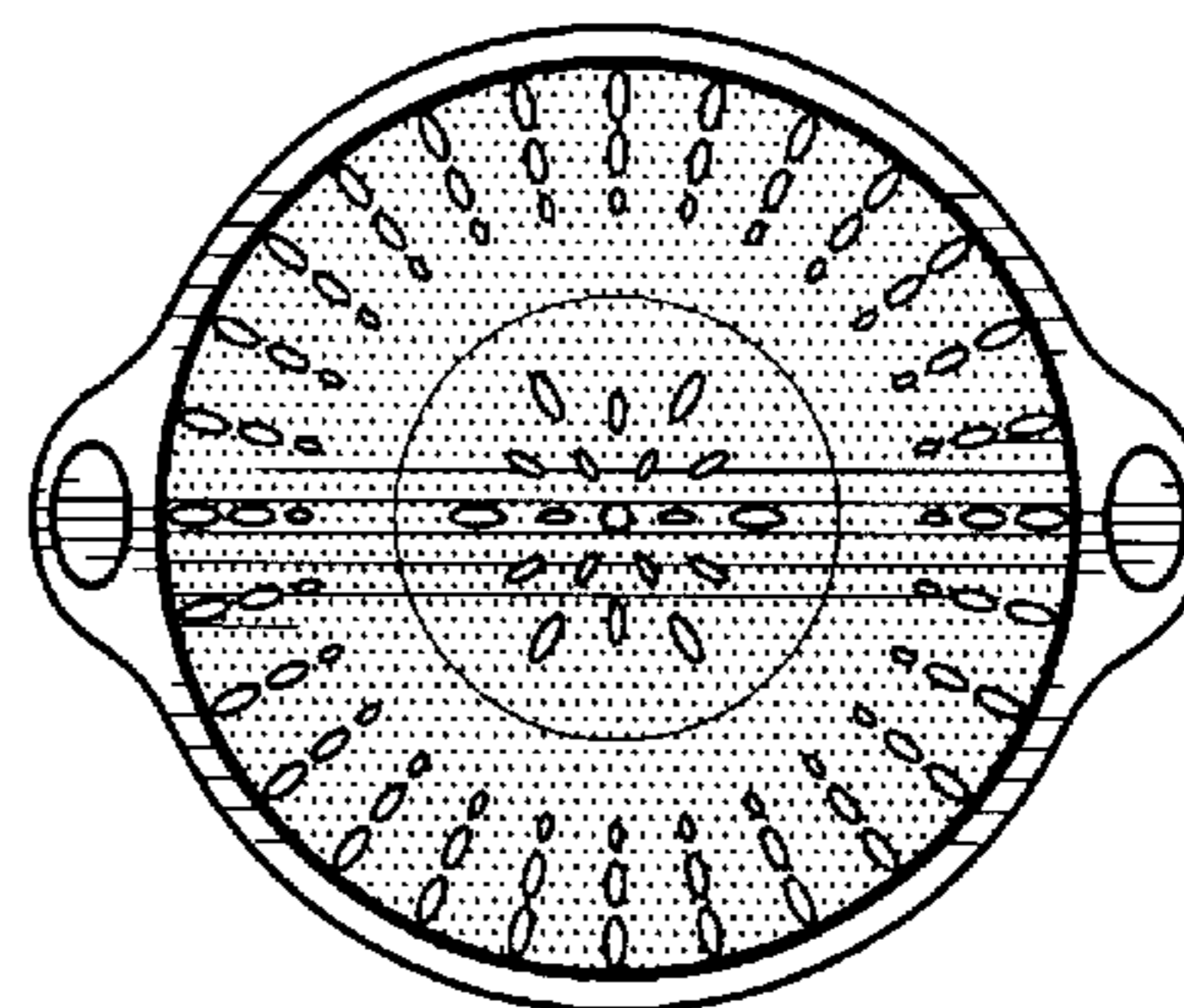
**Figure 11**



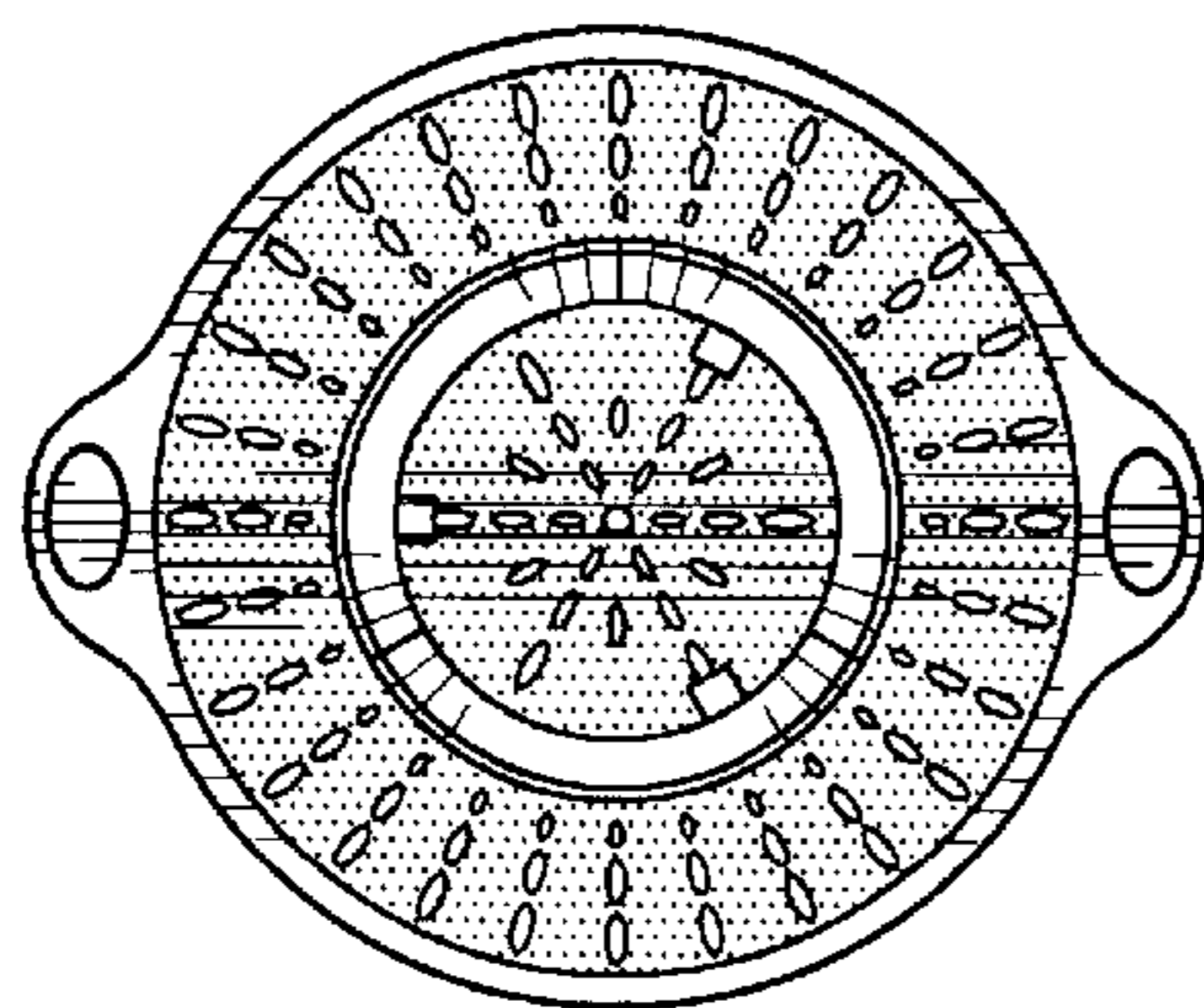
**Figure 12**



**Figure 13**



**Figure 14**



**Figure 15**