



US00D440124S

(12) **United States Design Patent**
Weng

(10) **Patent No.:** **US D440,124 S**

(45) **Date of Patent:** **** Apr. 10, 2001**

(54) **KNIFE BLOCK**

(76) Inventor: **Wei-Fan Weng**, No. 354, Sec. 2,
Lushun Rd., Taichung (TW)

(**) Term: **14 Years**

(21) Appl. No.: **29/123,647**

(22) Filed: **May 23, 2000**

(51) **LOC (7) Cl.** **06-04**

(52) **U.S. Cl.** **D7/637**

(58) **Field of Search** D7/637-641; 211/60.1,
211/70.6, 70.7; 248/37.3

(56) **References Cited**

U.S. PATENT DOCUMENTS

- D. 247,735 * 4/1978 Gangelhoff et al. D7/637
- D. 271,171 * 11/1983 Kinkade D7/637
- 4,509,651 * 4/1985 Prindle 211/70.6

* cited by examiner

Primary Examiner—Terry A. Wallace

(74) *Attorney, Agent, or Firm*—Thorp Reed & Armstrong,
LLP

(57) **CLAIM**

The ornamental design for the knife block, as shown and described.

DESCRIPTION

FIG. 1 is a perspective view of a knife block showing my new design;

FIG. 2 is a front view thereof;

FIG. 3 is a rear view thereof;

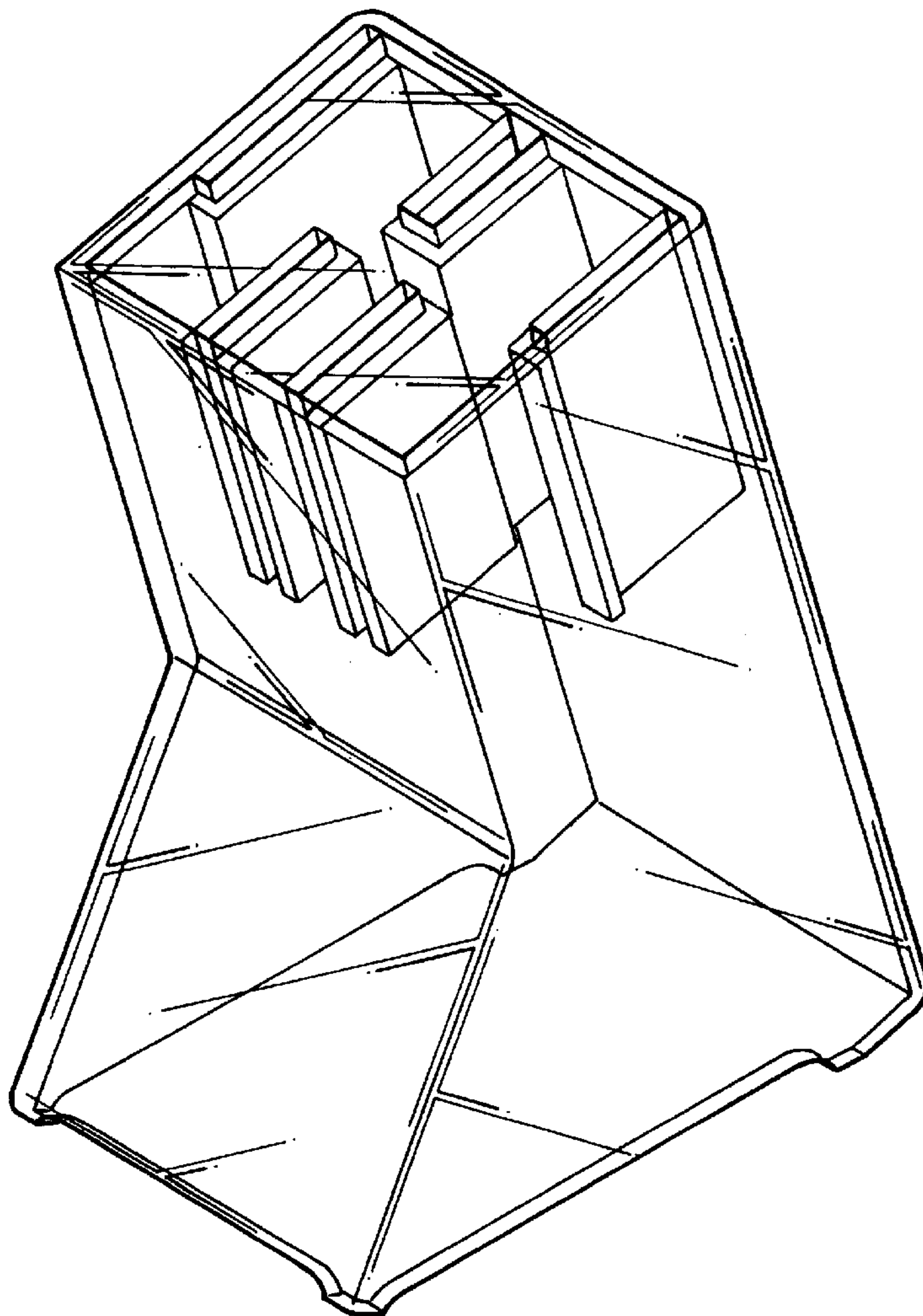
FIG. 4 is a left side view thereof;

FIG. 5 is a right side view thereof;

FIG. 6 is a top view thereof; and,

FIG. 7 is a bottom view thereof.

1 Claim, 4 Drawing Sheets



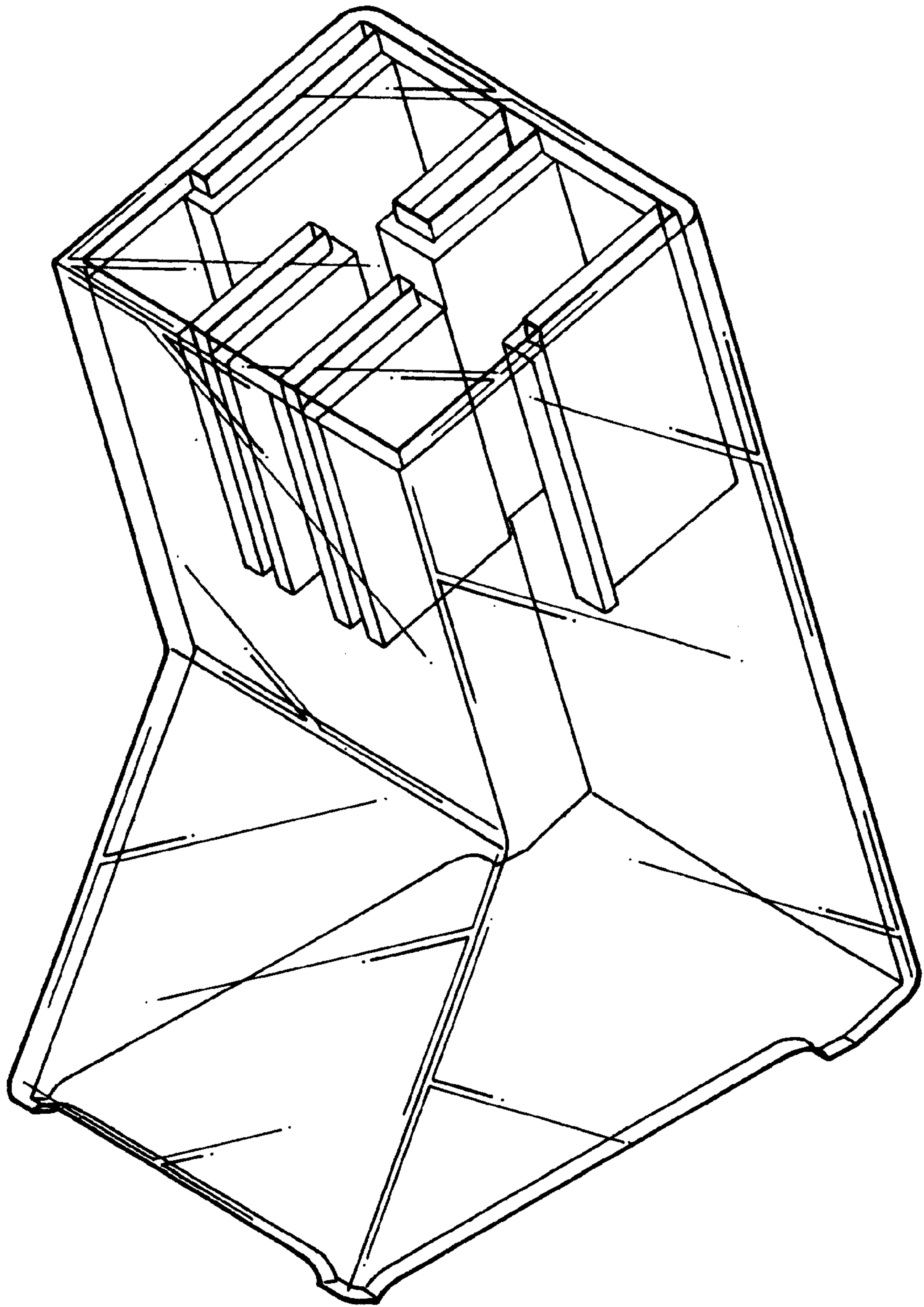


FIG. 1

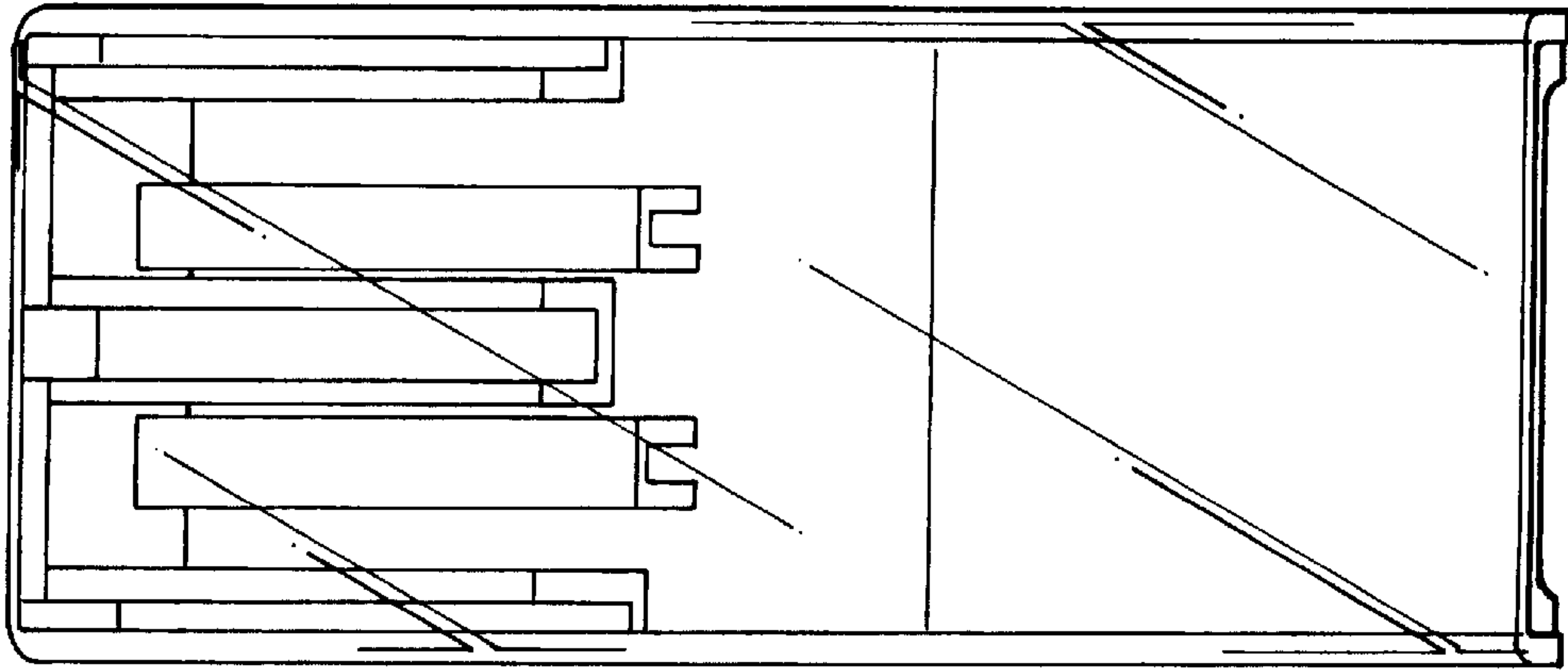


FIG. 3

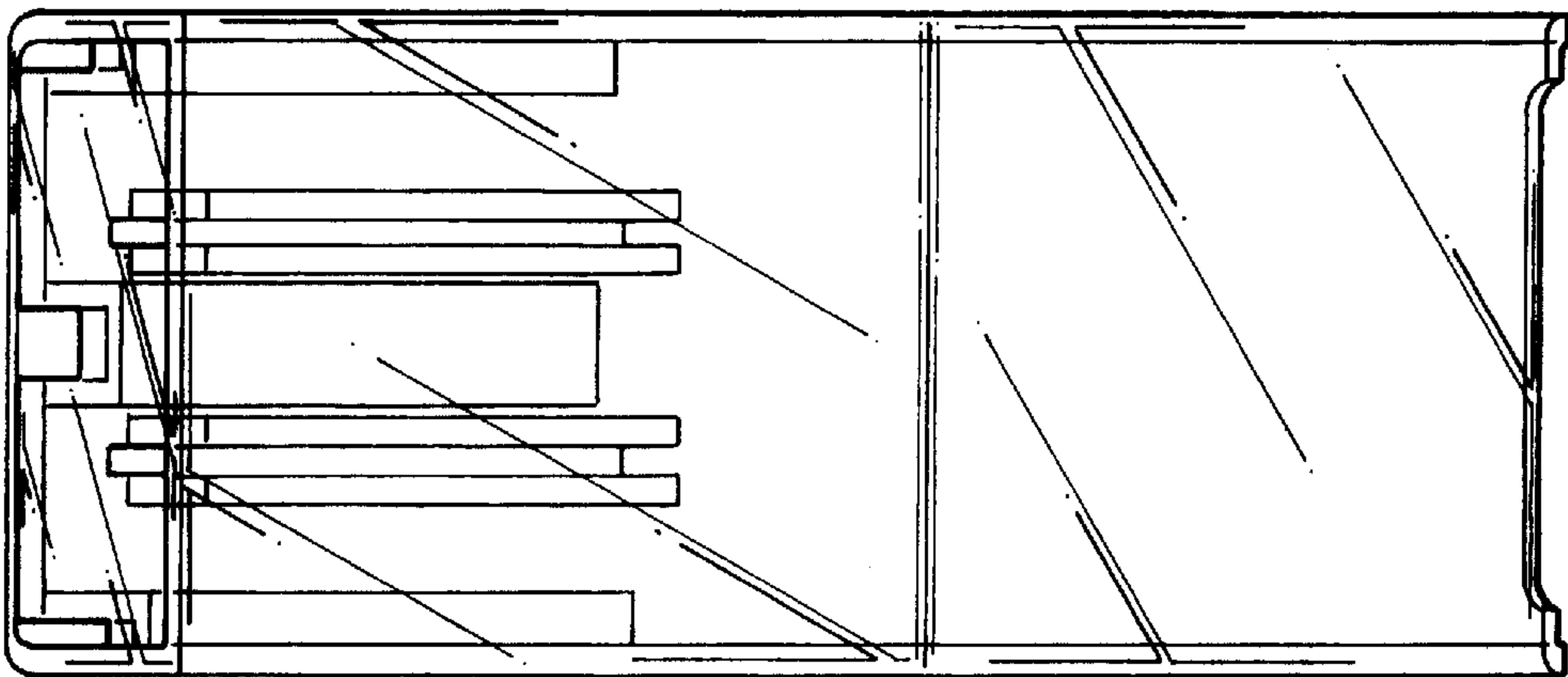


FIG. 2

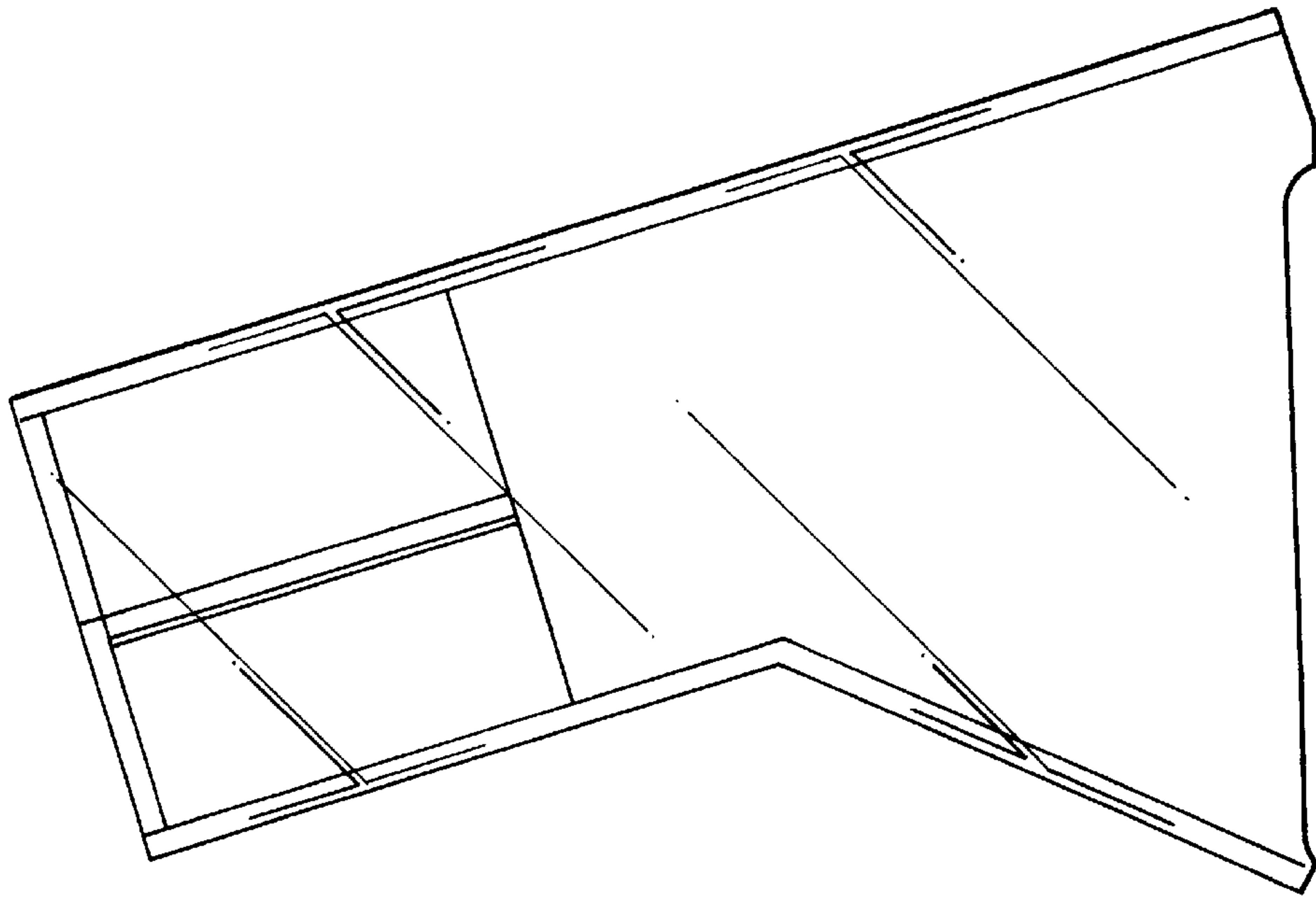


FIG. 5

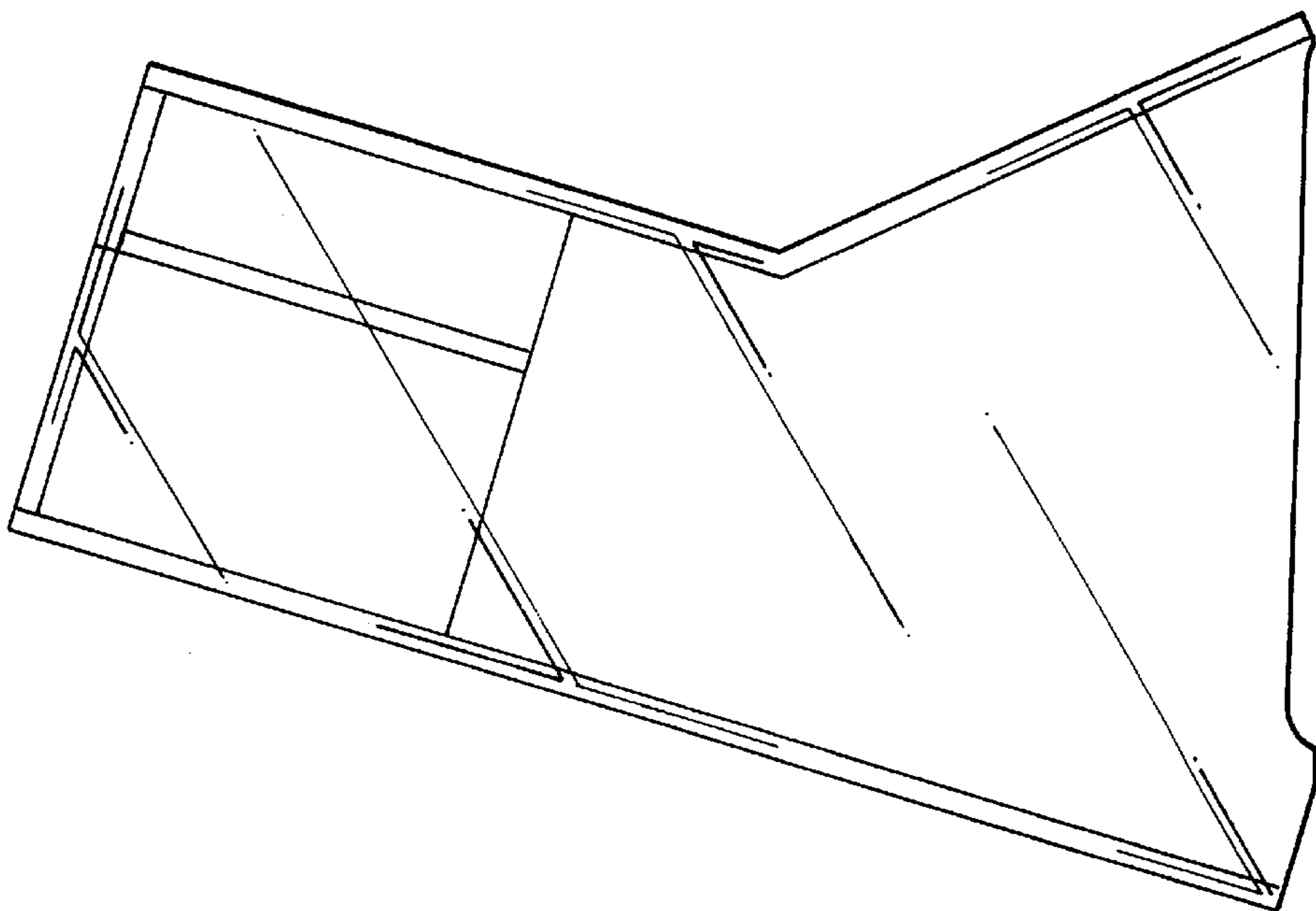


FIG. 4

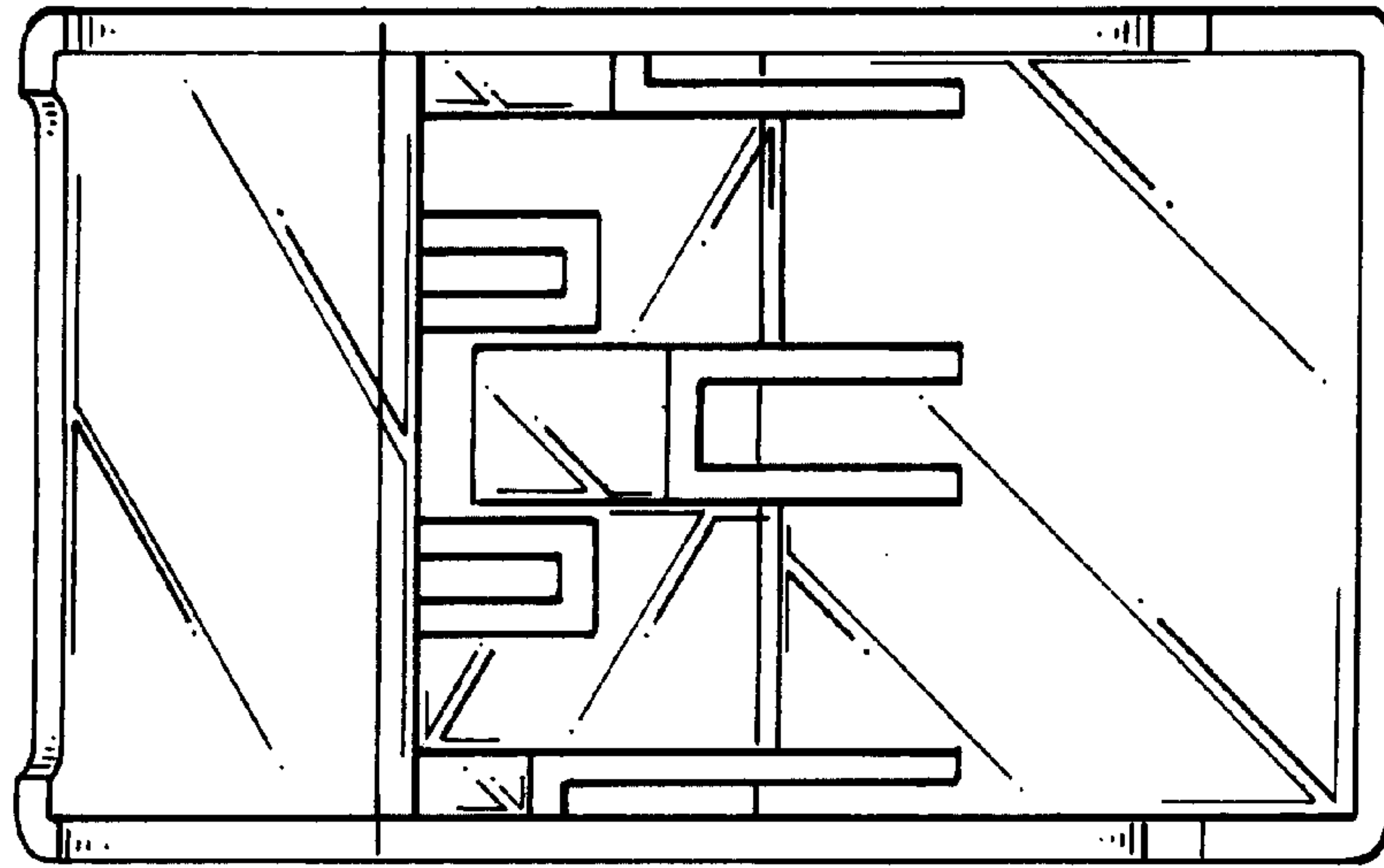


FIG. 6

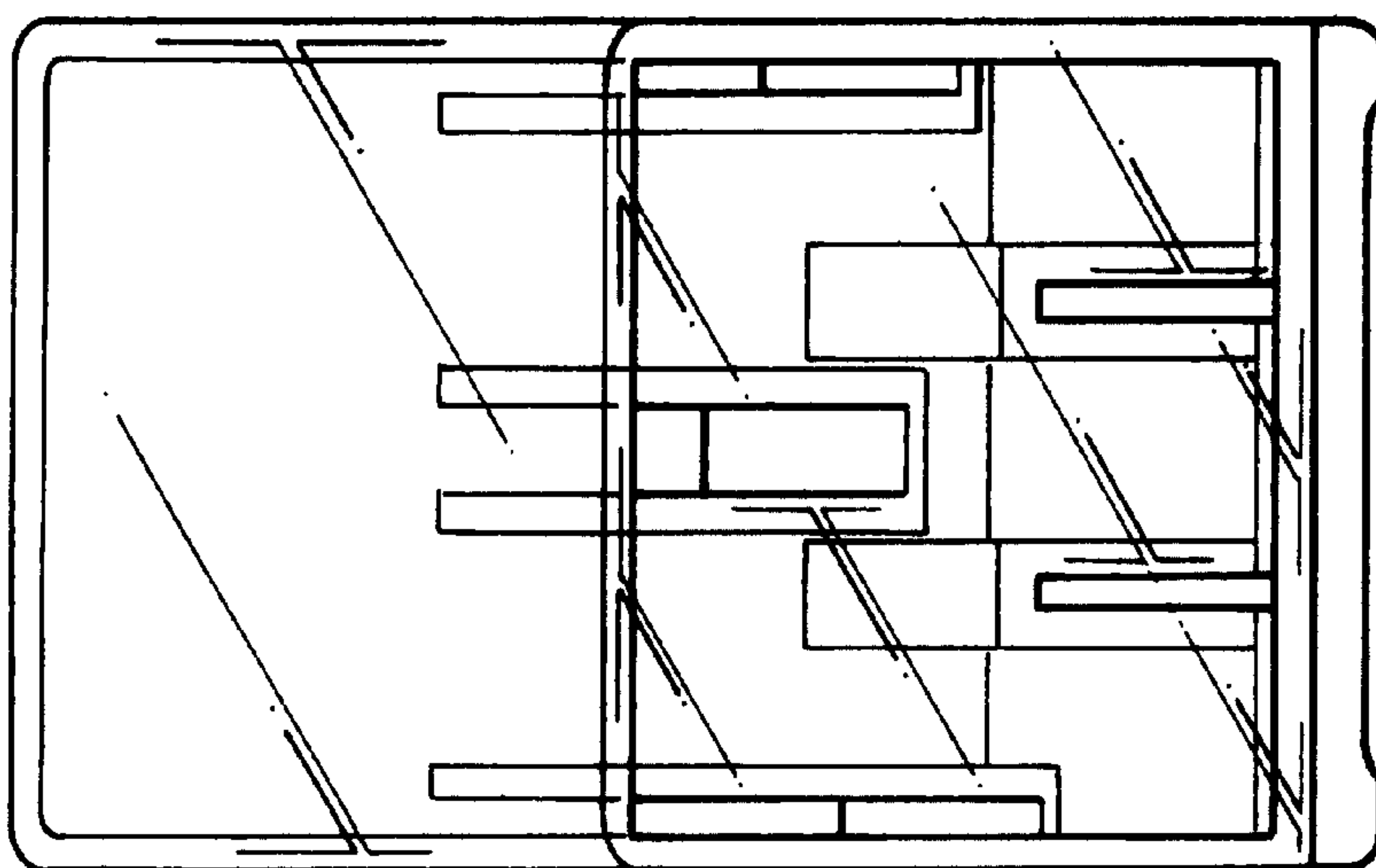


FIG. 7