



US00D440123S

(12) **United States Design Patent**
Lin et al.

(10) **Patent No.:** **US D440,123 S**
(45) **Date of Patent:** **** Apr. 10, 2001**

(54) **PORTABLE HEATING AND COOLING BOX**

5,319,937 * 6/1994 Fritsch et al. 62/457.1

(76) Inventors: **Chin-Ting Lin**, No. 125-3, Jungsheng Road, Shindian City, Taipei (TW), 231; **Shueh-Cheng Lu**, 9Fl., No. 173, Sec. 1, Junghua Road, Tucheng City, Taipei (TW), 236; **Wan-Fu Kuo**, 4Fl., No. 26, Alley 3, Lane 47, Sec. 3, Chungshin Road, Sanchung City, Taipei (TW), 241

* cited by examiner

Primary Examiner—Terry A. Wallace

(**) Term: **14 Years**

(57) **CLAIM**

(21) Appl. No.: **29/125,813**

The ornamental design for a portable heating and cooling box, as shown and described.

(22) Filed: **Jun. 29, 2000**

DESCRIPTION

(51) **LOC (7) Cl.** **07-01**

(52) **U.S. Cl.** **D7/605**

(58) **Field of Search** D7/605-608; 62/371, 62/372, 457.1, 457.7; 220/592.2, 592.24, 592.25, 592.16, 915.1, 915.2

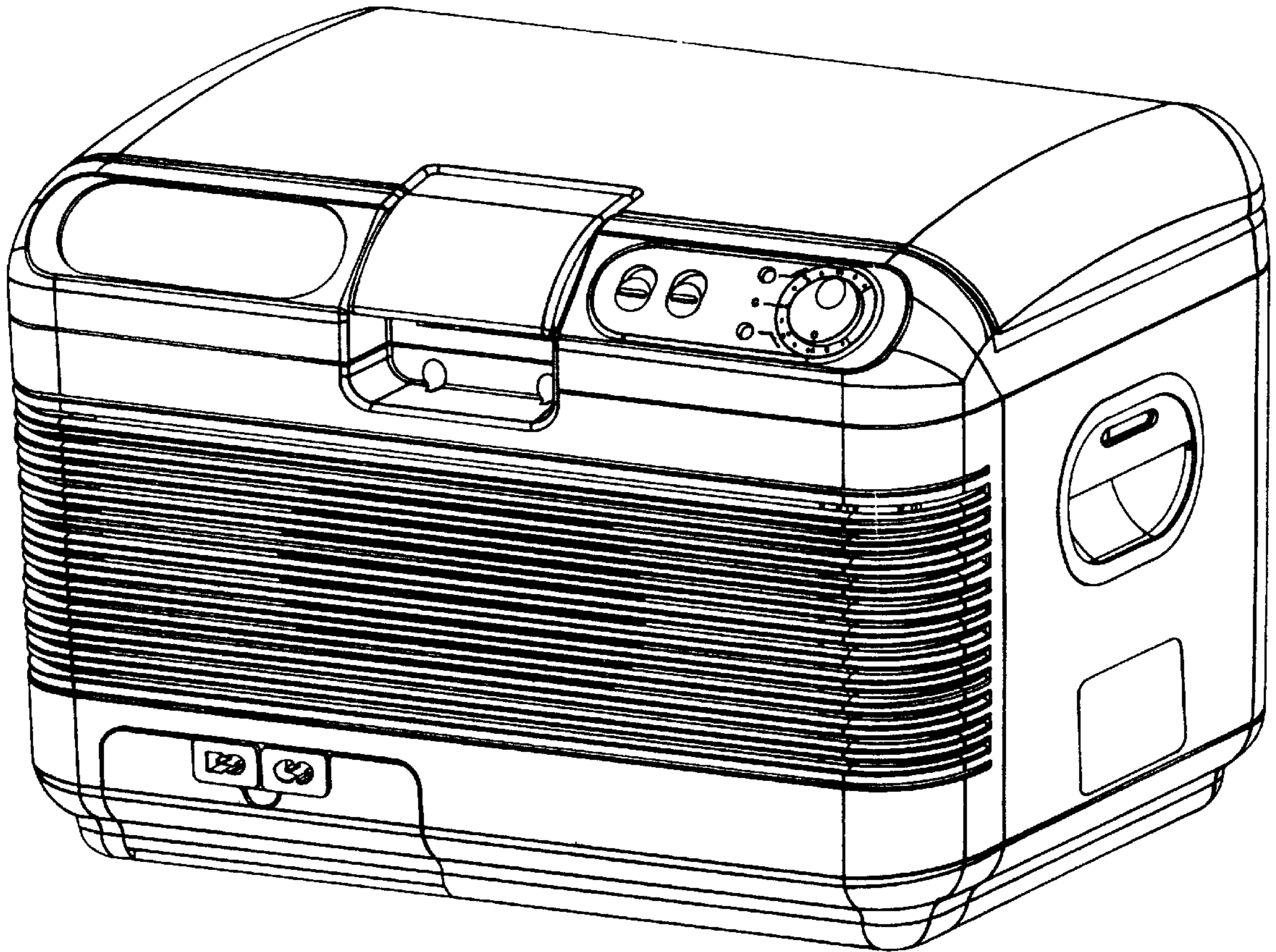
FIG. 1 is a top perspective view of a portable heating and cooling box with its cover close of the present invention; FIG. 2 is a top perspective view of the portable heating and cooling box as shown in FIG. 1 with its cover open; FIG. 3 is a right side view of the portable heating and cooling box as shown in FIG. 1; FIG. 4 is a top plan view of the portable heating and cooling box as shown in FIG. 1; FIG. 5 is a front view of the portable heating and cooling box as shown in FIG. 1; FIG. 6 is a bottom plan view of the portable heating and cooling box as shown in FIG. 1; FIG. 7 is a left side view of the portable heating and cooling box as shown in FIG. 1; and, FIG. 8 is a rear view of the portable heating and cooling box as shown in FIG. 1.

(56) **References Cited**

U.S. PATENT DOCUMENTS

- D. 350,048 * 8/1994 Kahl et al. D7/605
- D. 368,206 * 3/1996 Wedi D7/605
- D. 381,870 * 8/1997 Wedi D7/605
- D. 400,053 * 10/1998 Coffee et al. D7/605

1 Claim, 8 Drawing Sheets



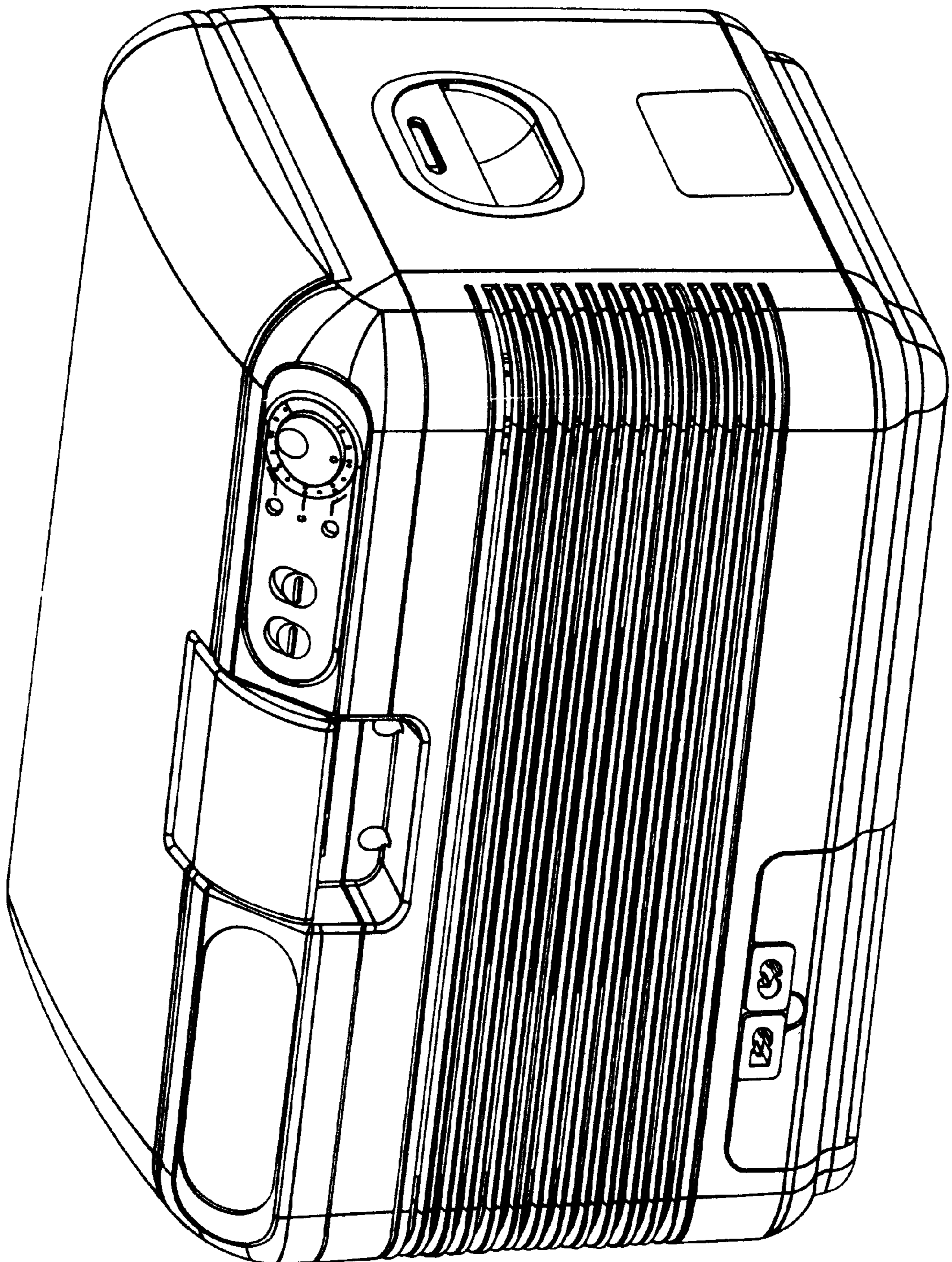
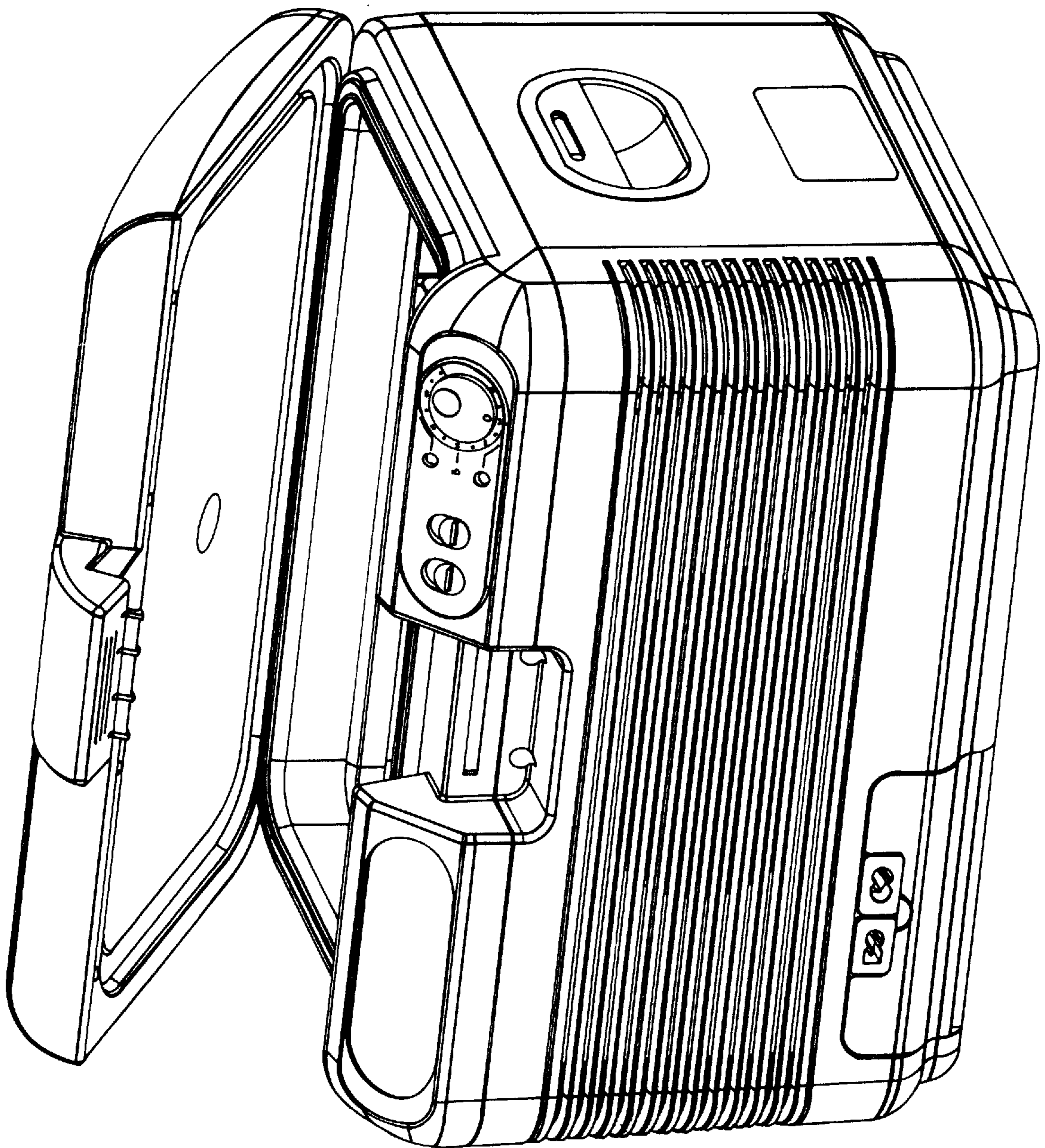


Fig. 1

Fig. 2



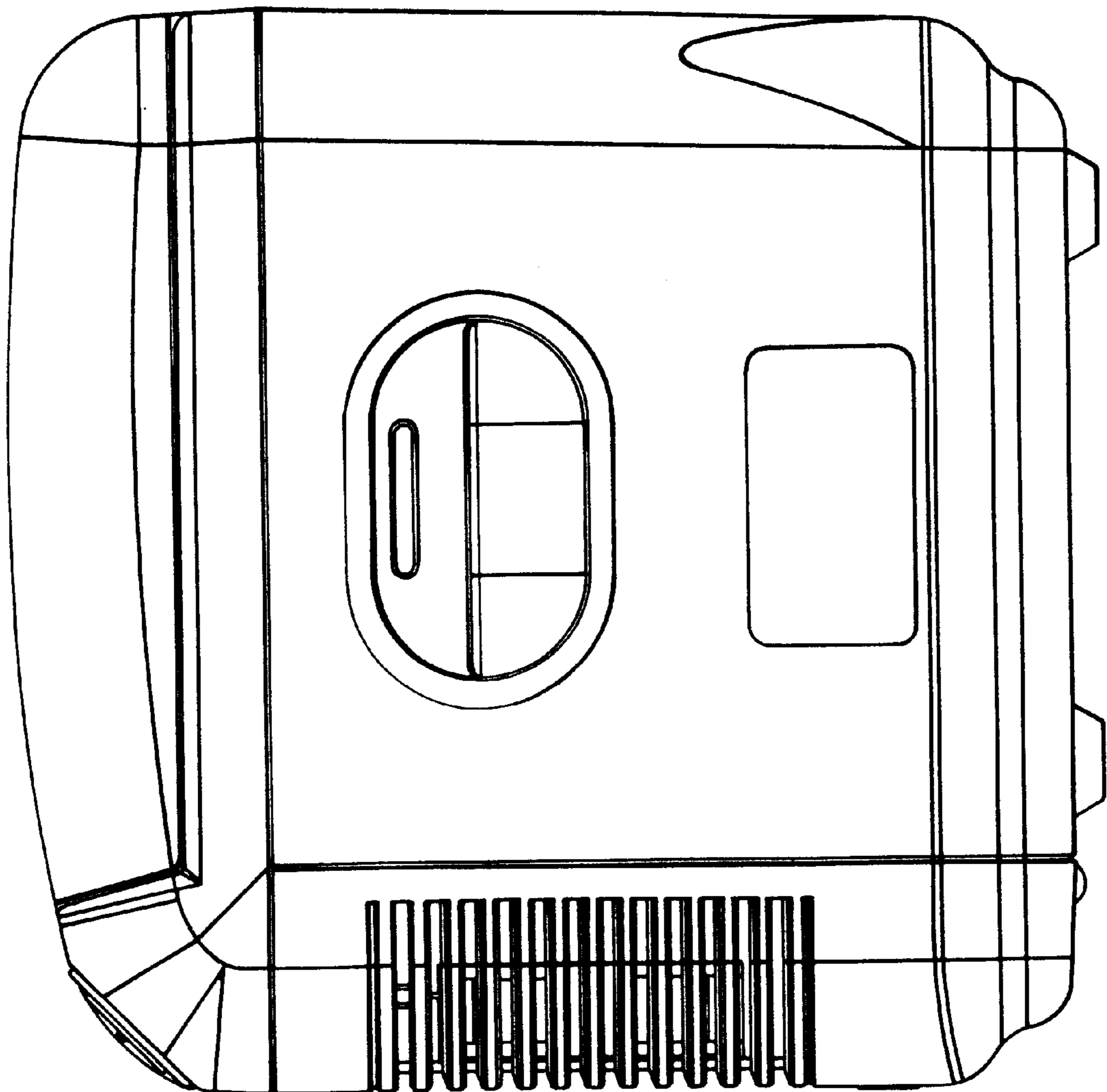


Fig. 3

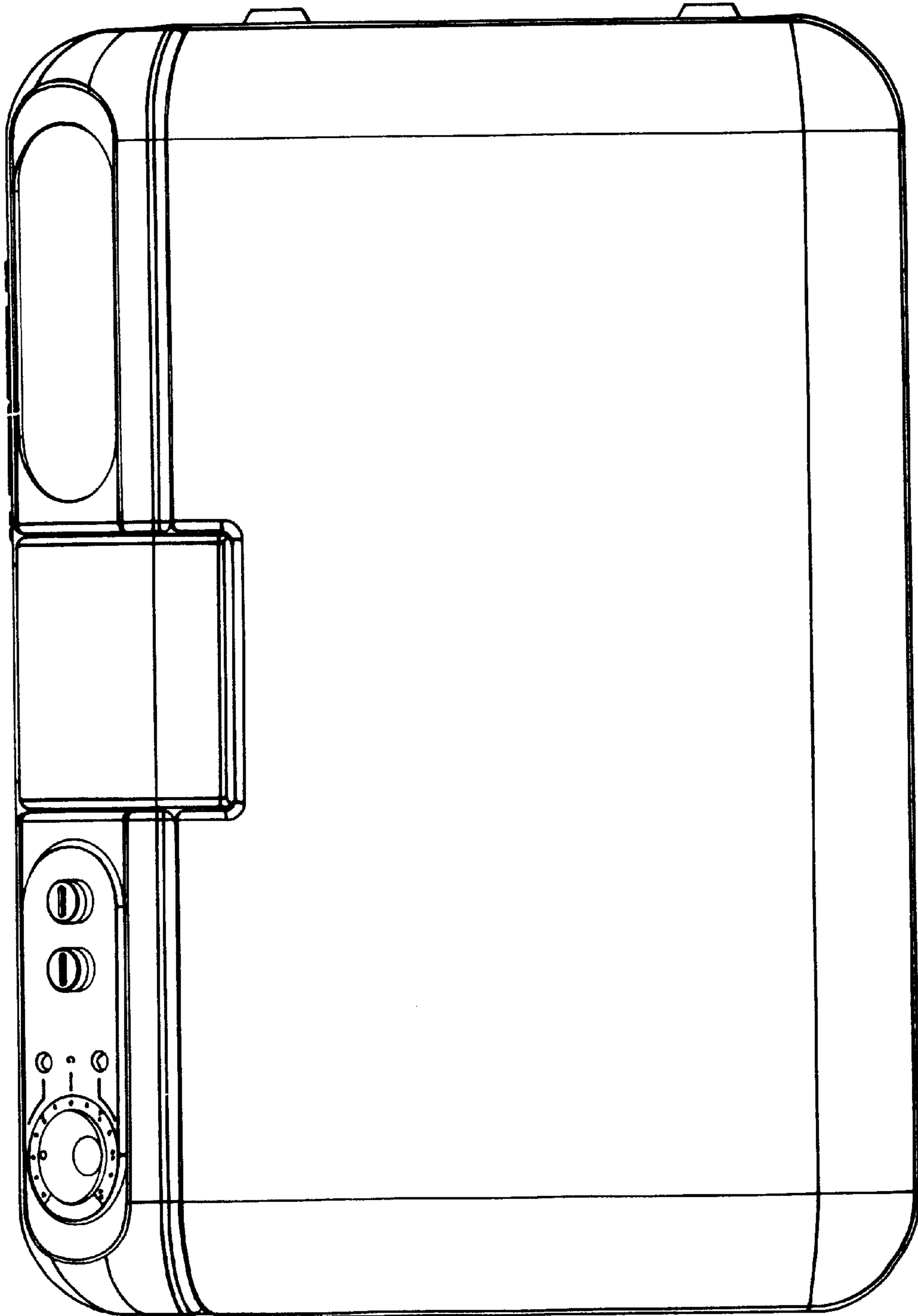


Fig. 4

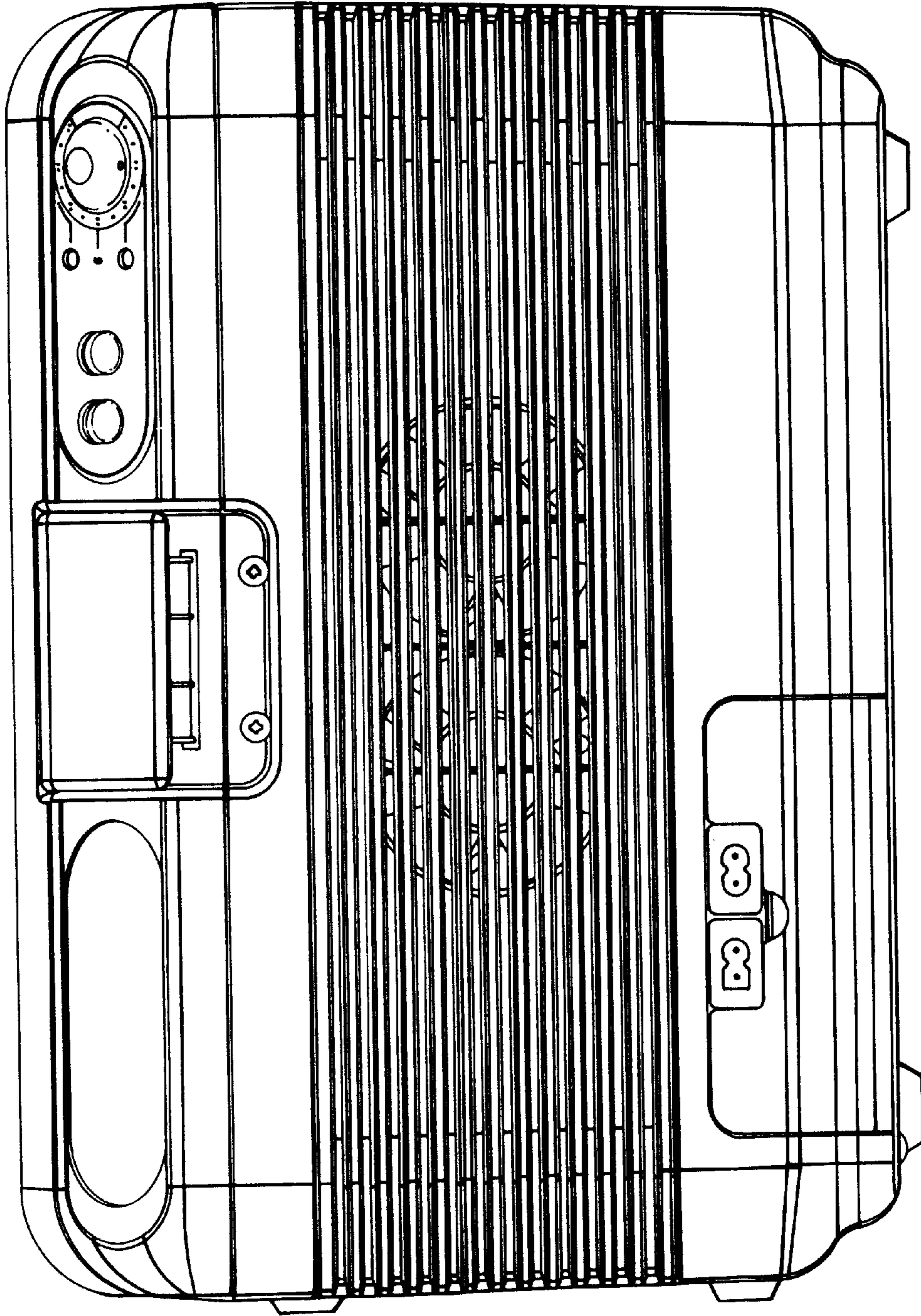


Fig. 5

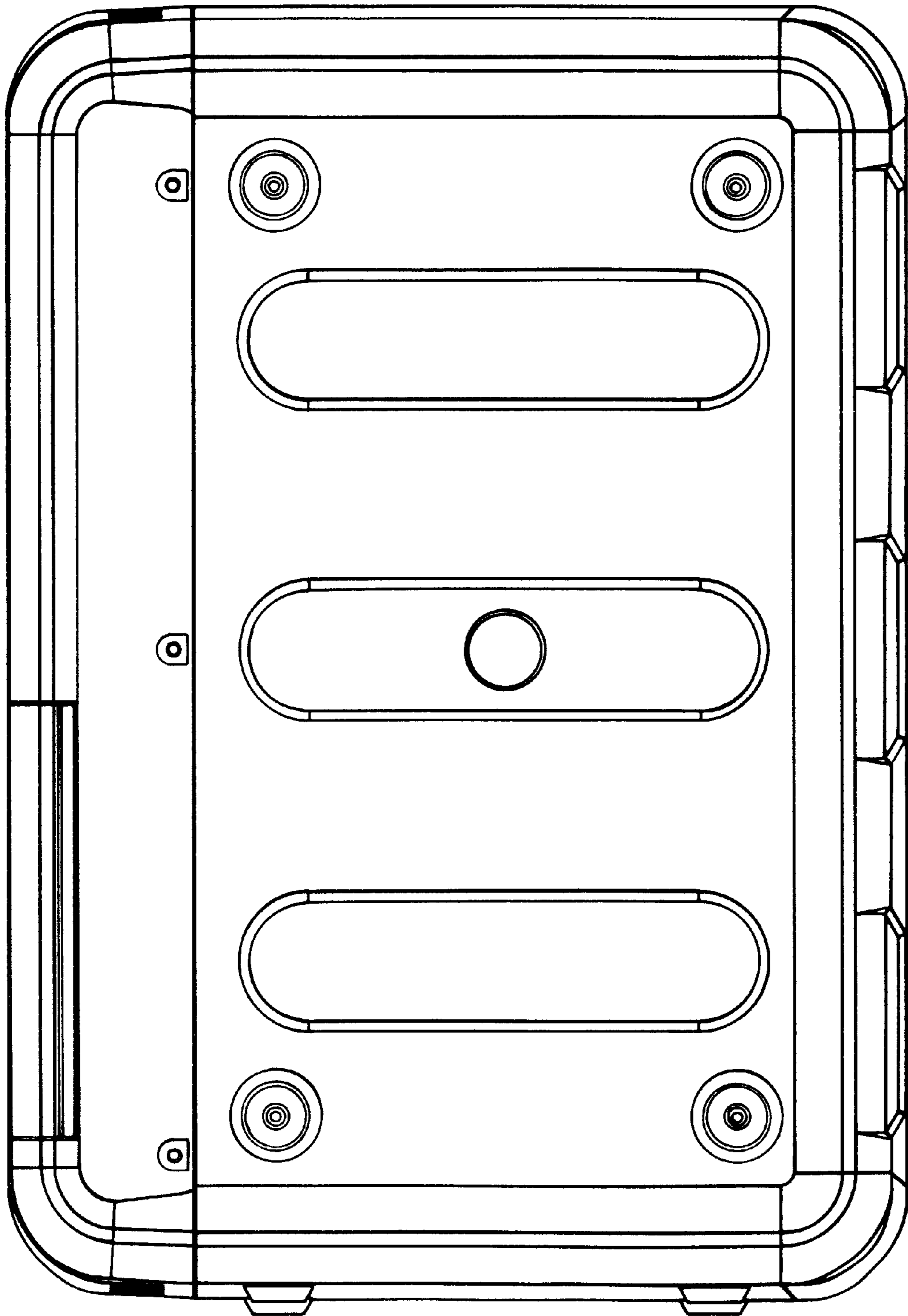


Fig. 6

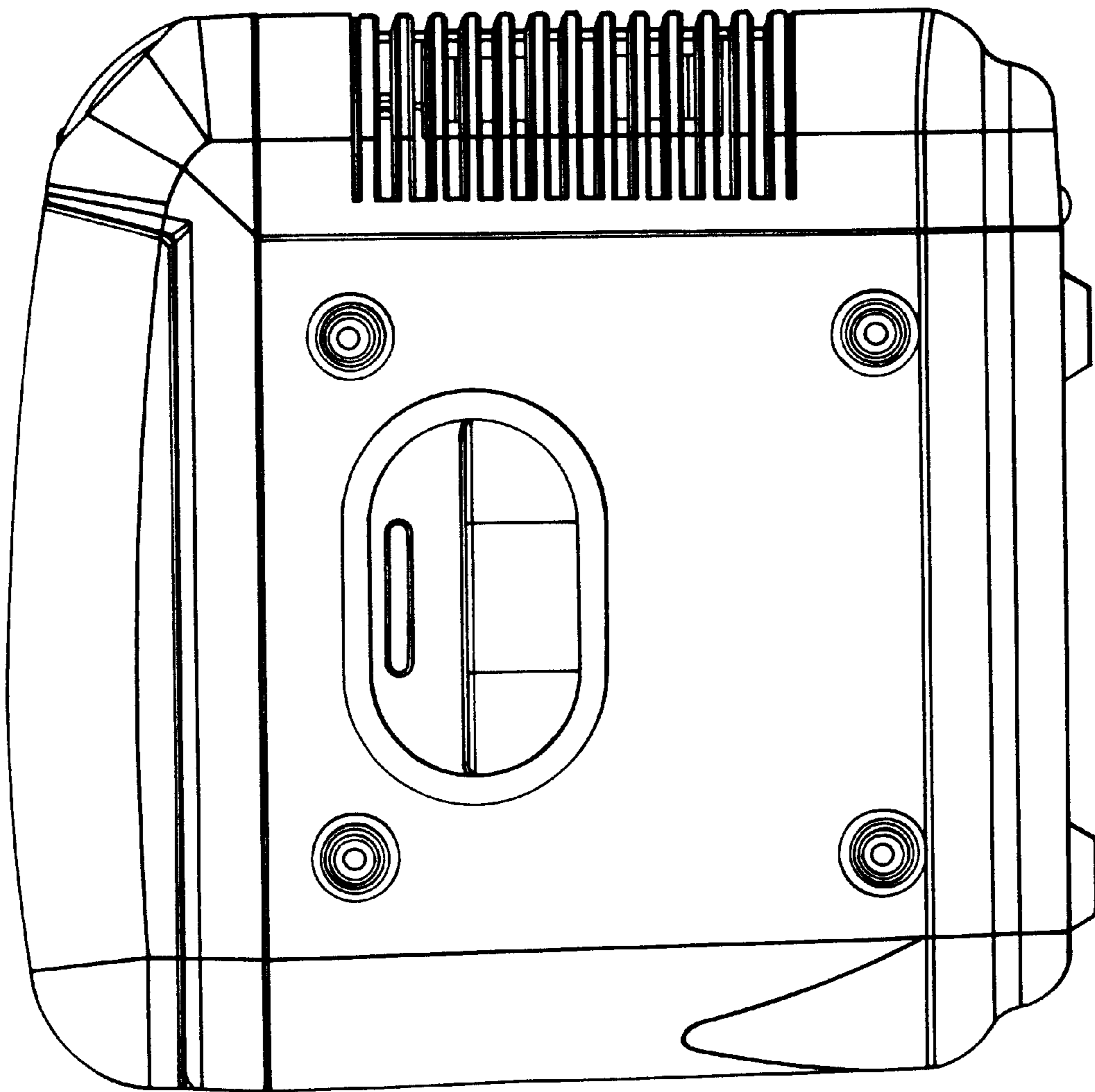


Fig. 7

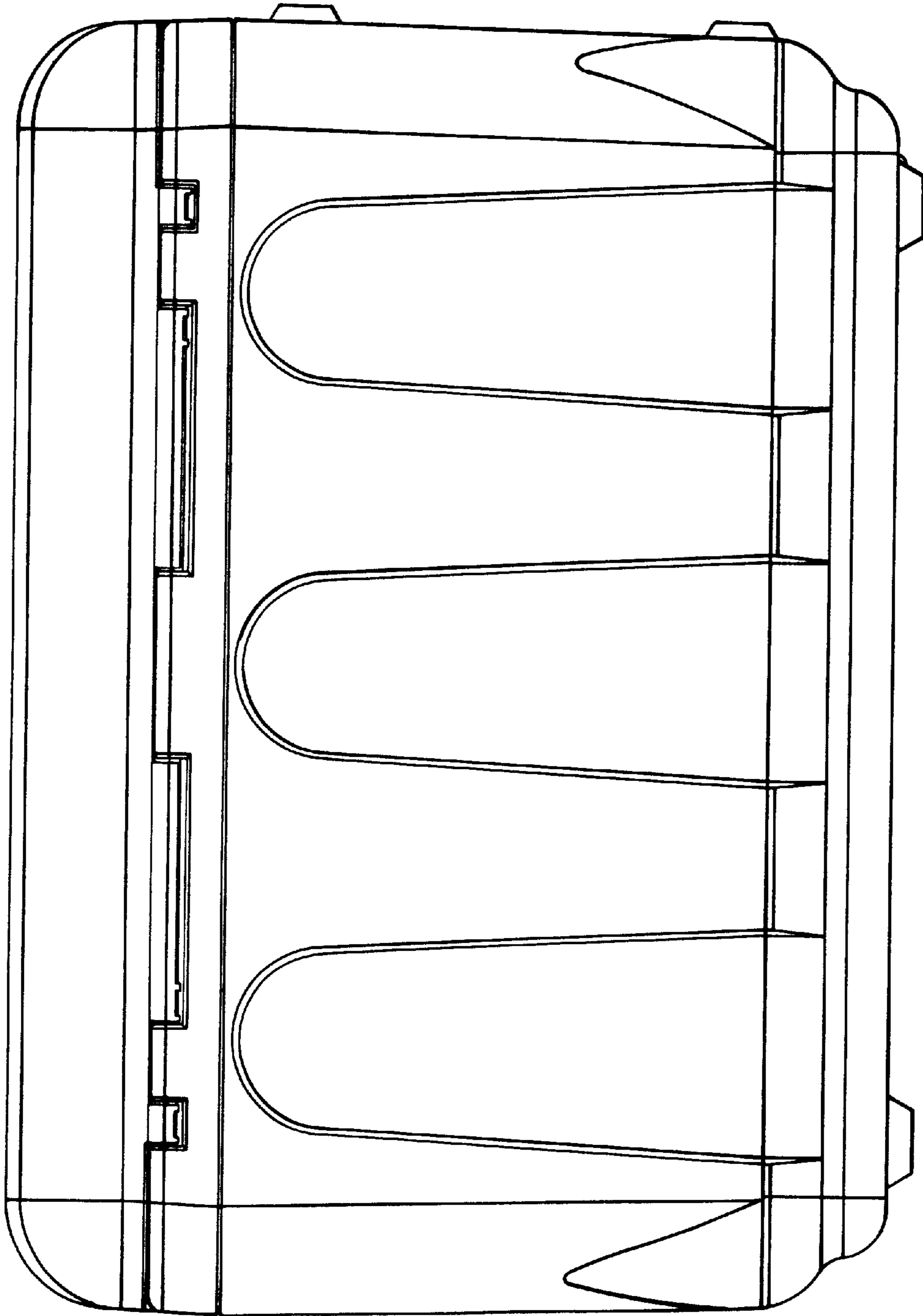


Fig. 8