



US00D440122S

(12) **United States Design Patent**
Peterson

(10) **Patent No.:** **US D440,122 S**

(45) **Date of Patent:** **** Apr. 10, 2001**

(54) **INFLATABLE COOLER**

(75) **Inventor:** **LeRoy L. Peterson**, Omaha, NE (US)

(73) **Assignee:** **Sportsstuff, Inc.**, Omaha, NE (US)

(**) **Term:** **14 Years**

(21) **Appl. No.:** **29/123,503**

(22) **Filed:** **May 18, 2000**

(51) **LOC (7) Cl.** **07-01**

(52) **U.S. Cl.** **D7/605**

(58) **Field of Search** D7/605-608; D21/803,
D21/808; 62/371, 372, 457.1, 457.7; 220/592.2,
592.24, 592.25, 592.16, 915.1, 915.2; 383/97,
109, 110; 441/32, 136

(56) **References Cited**

U.S. PATENT DOCUMENTS

- D. 290,674 * 7/1987 Valov D7/605 X
- D. 294,571 * 3/1988 Sabin et al. D7/605 X
- D. 307,854 * 5/1990 Doucette et al. D7/605

- D. 333,592 * 3/1993 Walker D7/605
- 4,324,111 * 4/1982 Edwards 62/457.1 X
- 4,612,781 * 9/1986 Swerdon 62/457.1

* cited by examiner

Primary Examiner—Terry A. Wallace

(74) *Attorney, Agent, or Firm*—Henderson & Sturm LLP

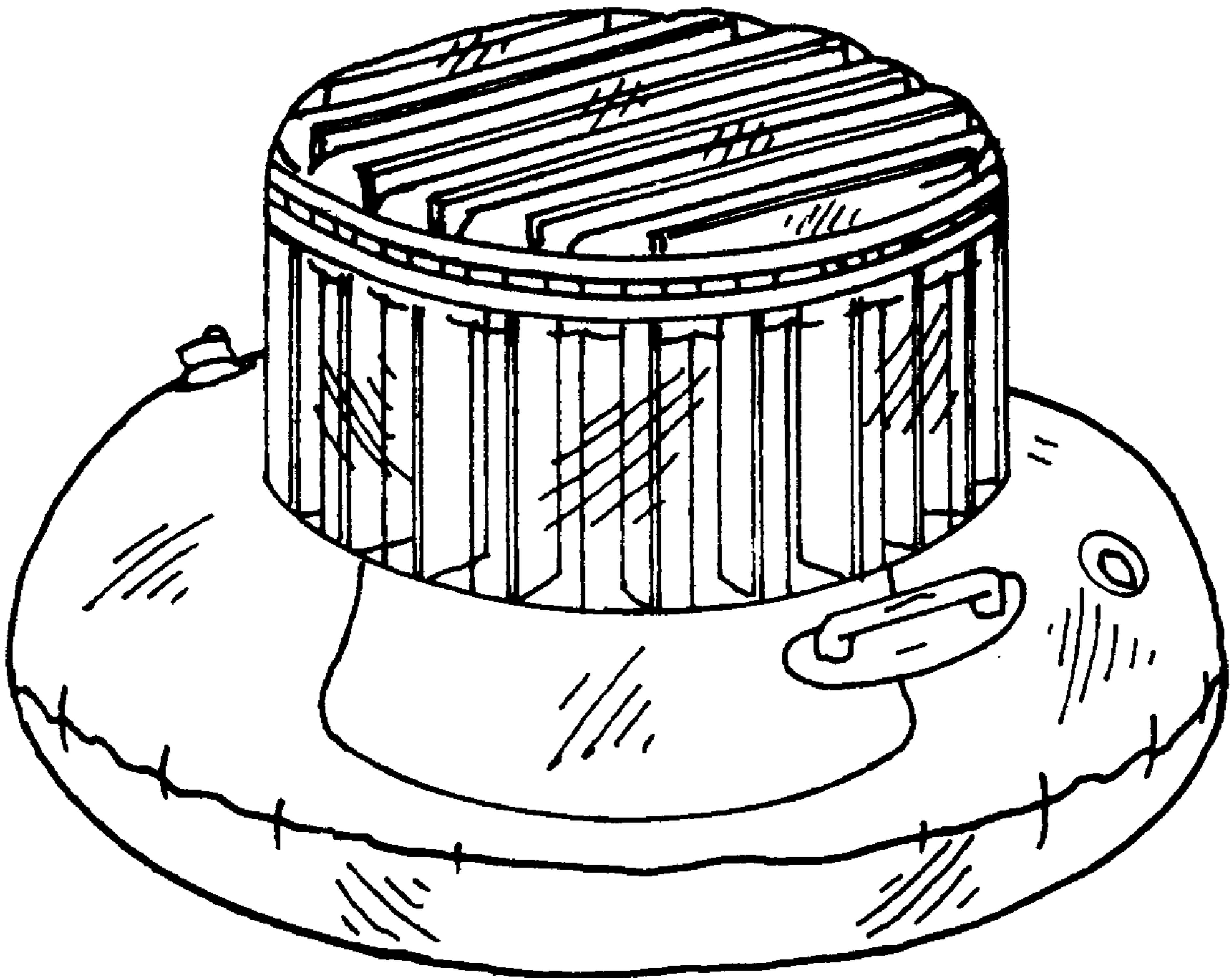
(57) **CLAIM**

The ornamental design for an inflatable cooler, as shown and described.

DESCRIPTION

FIG. 1 is a perspective view of the inflatable cooler showing my new design;
 FIG. 2 is a right side elevational view thereof;
 FIG. 3 is a left side elevational view thereof;
 FIG. 4 is a top plan view thereof;
 FIG. 5 is a bottom plan view thereof;
 FIG. 6 is a front elevational view thereof; and,
 FIG. 7 is a rear elevational view thereof.

1 Claim, 2 Drawing Sheets



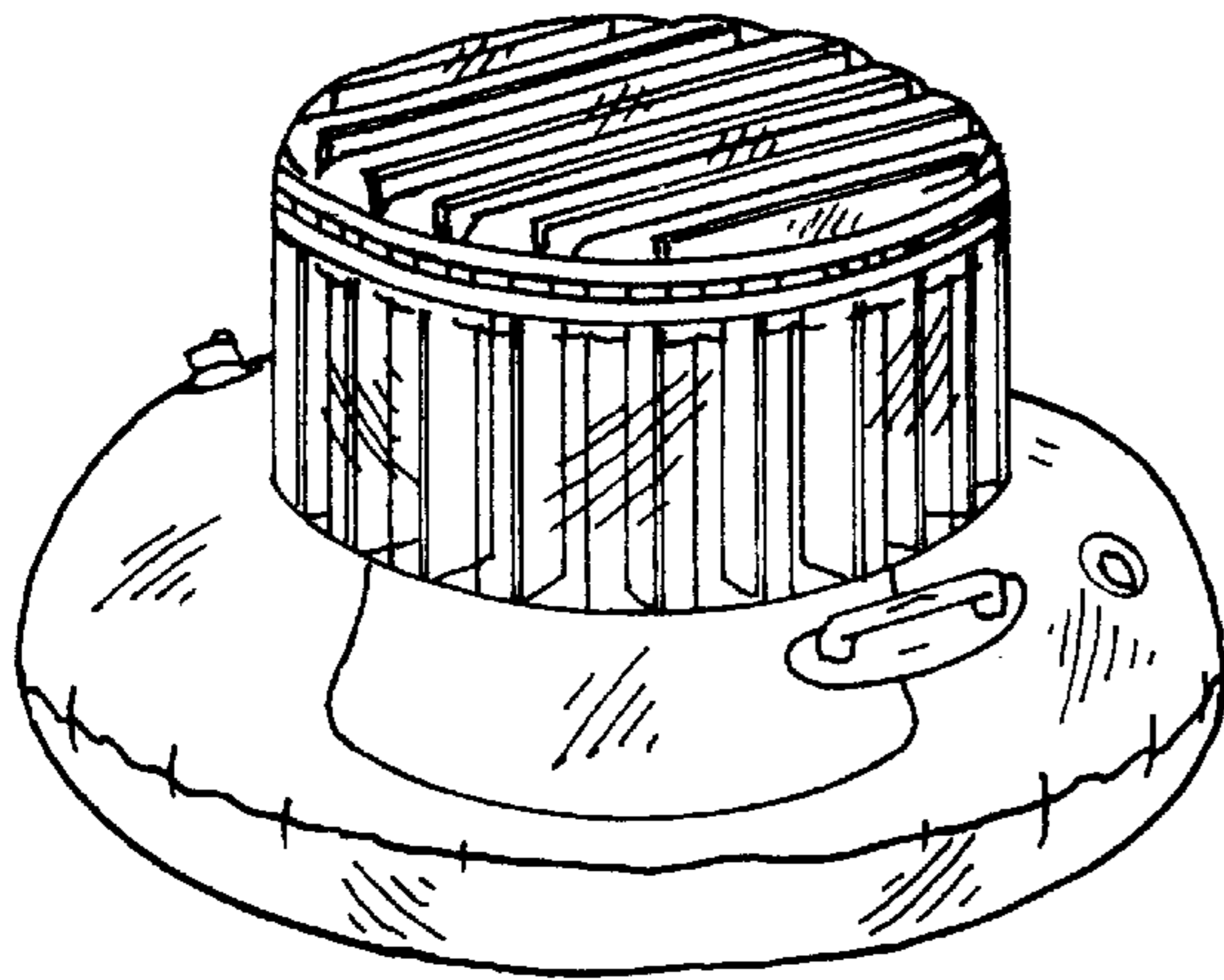


Fig. 1

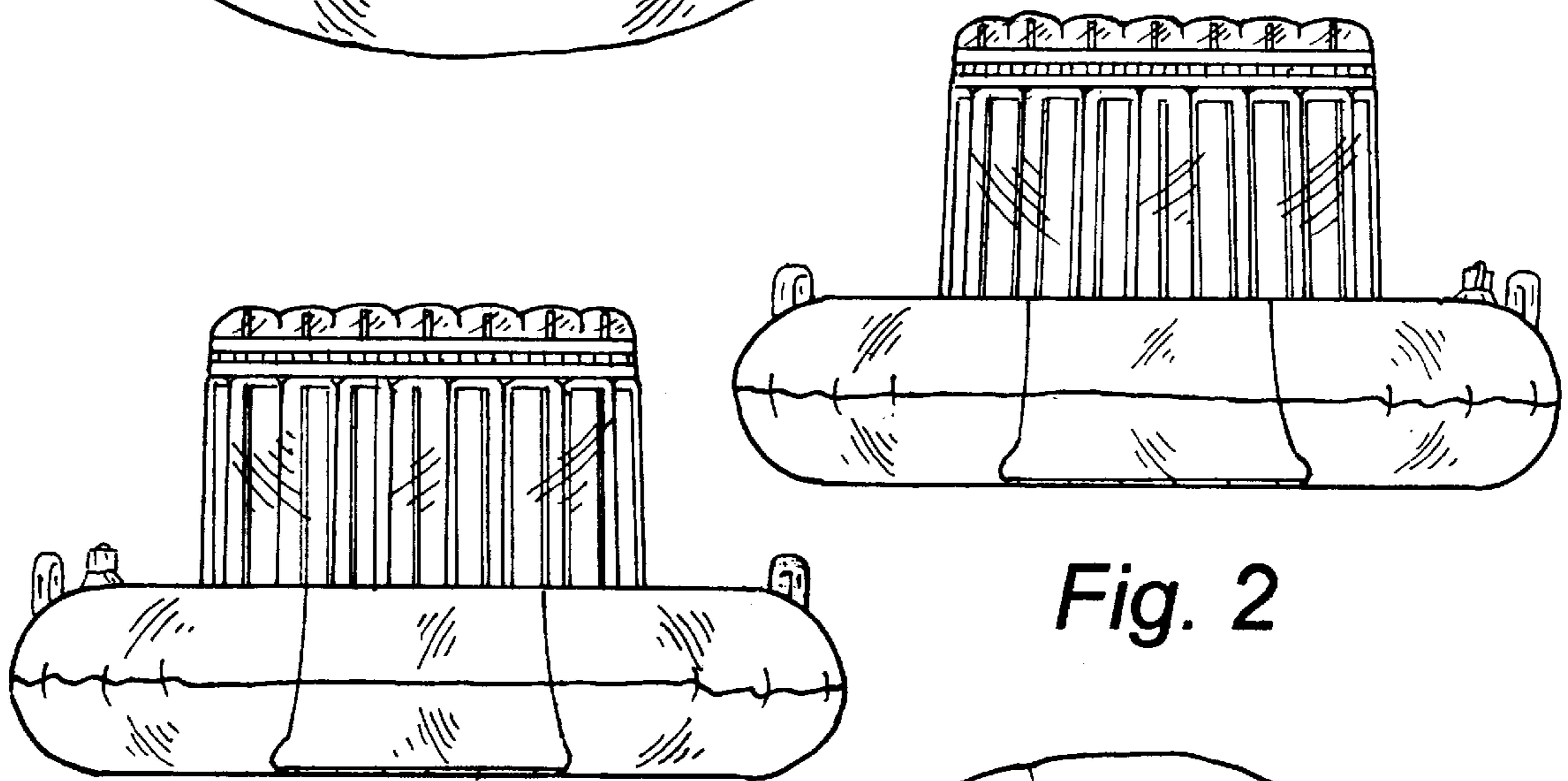


Fig. 2

Fig. 3

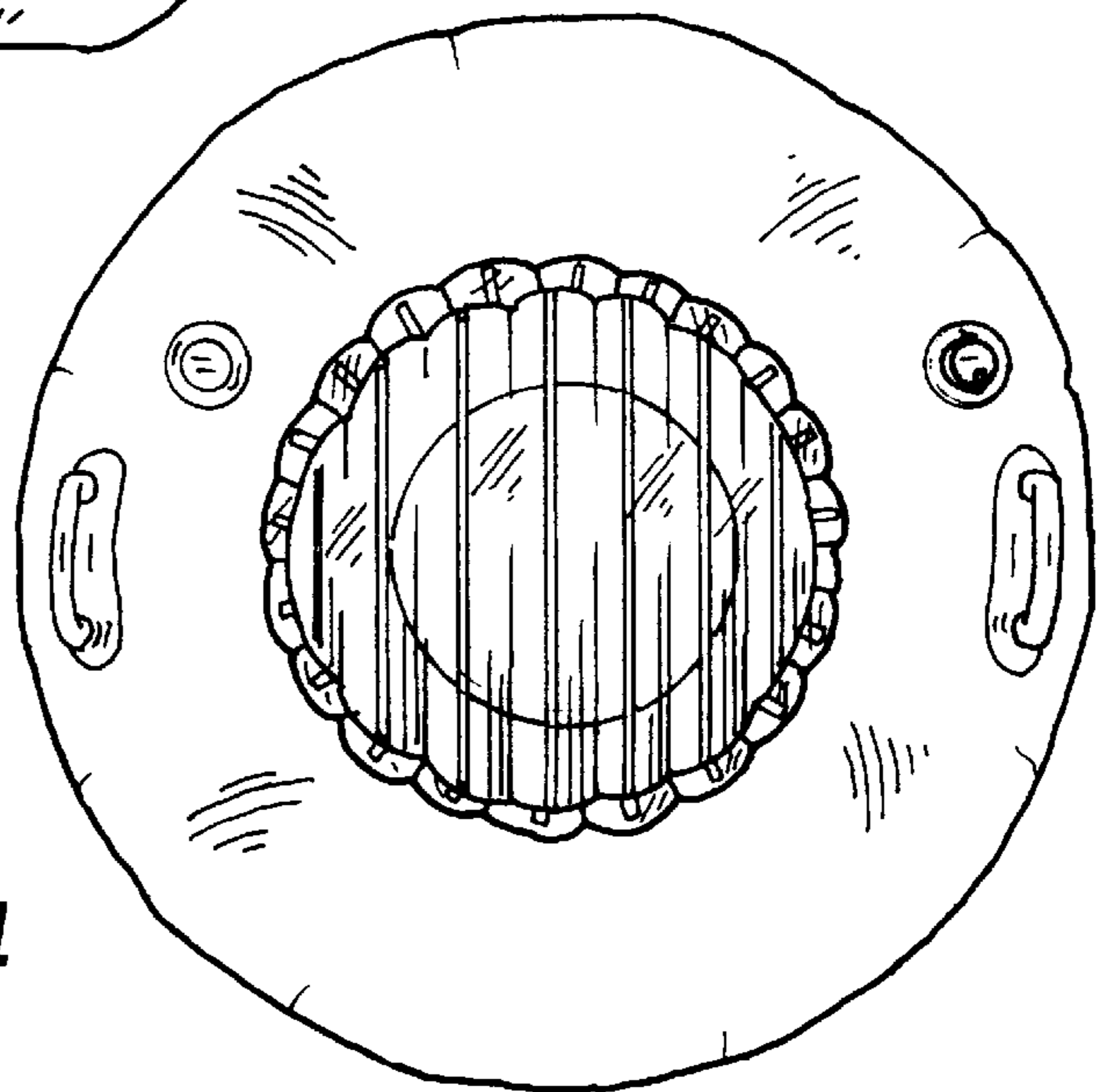


Fig. 4

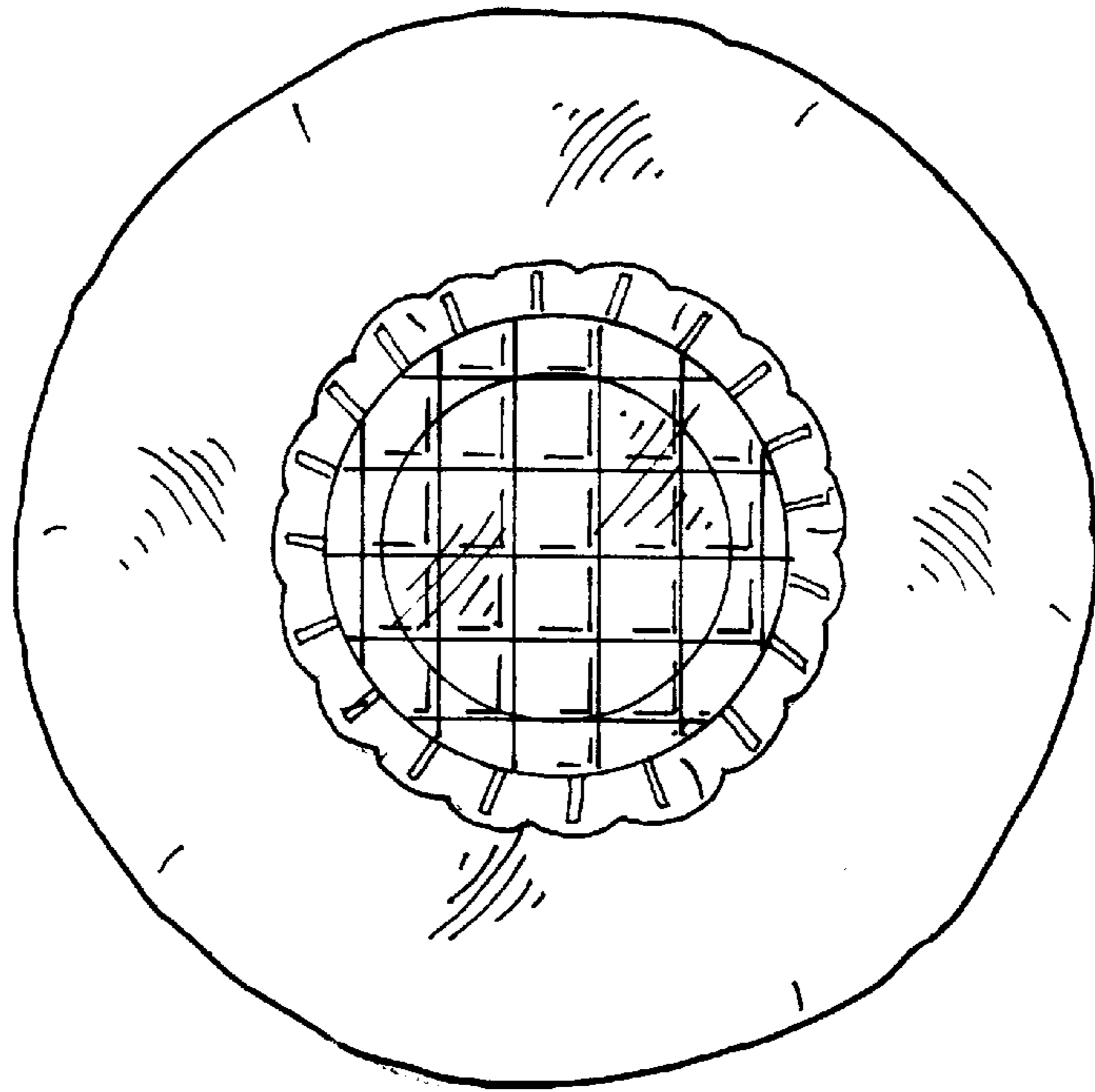


Fig. 5

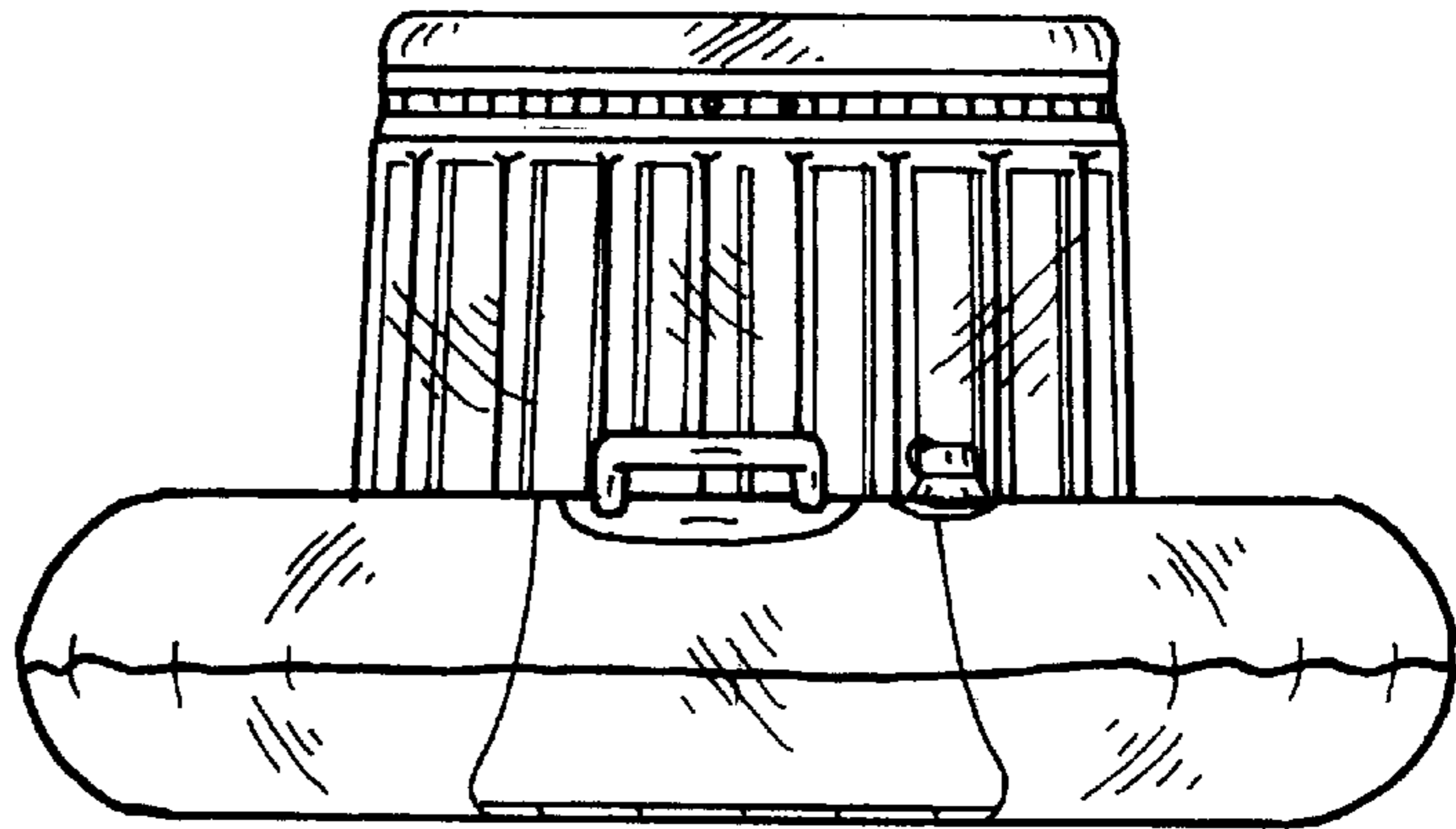


Fig. 6

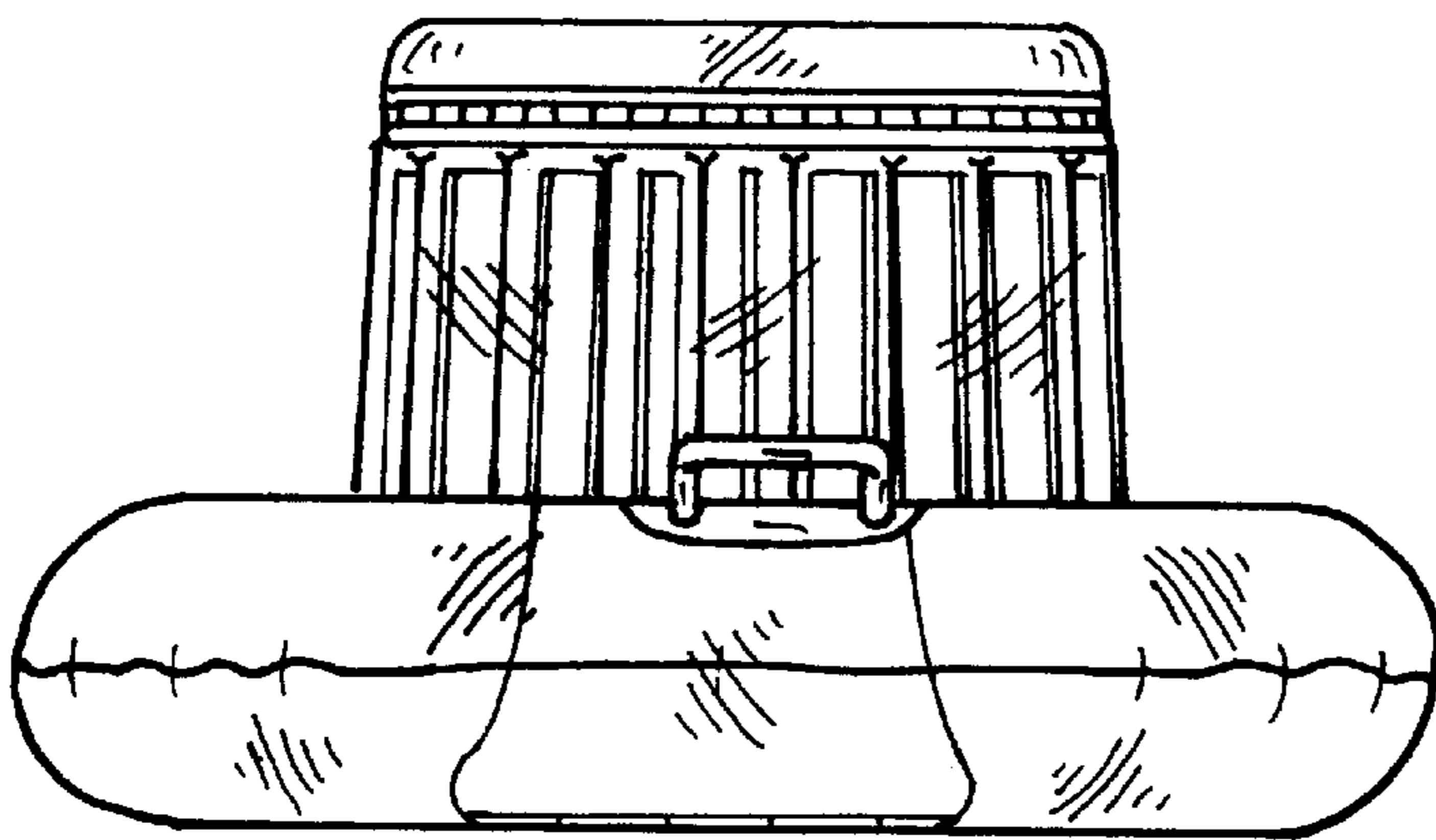


Fig. 7