



US00D440119S

(12) **United States Design Patent**  
**Peterson**

(10) **Patent No.:** **US D440,119 S**

(45) **Date of Patent:** **\*\* Apr. 10, 2001**

(54) **INFLATABLE COOLER**

(75) **Inventor:** **Leroy L. Peterson, Omaha, NE (US)**

(73) **Assignee:** **Sportsstuff, Inc., Omaha, NE (US)**

(\*\*) **Term:** **14 Years**

(21) **Appl. No.:** **29/123,498**

(22) **Filed:** **May 18, 2000**

(51) **LOC (7) Cl.** ..... **07-01**

(52) **U.S. Cl.** ..... **D7/605**

(58) **Field of Search** ..... D7/605-608; D21/803,  
D21/808; 62/371, 372, 457.1, 457.7; 220/592.2,  
592.24, 592.25, 592.16, 915.1, 915.2; 383/97,  
109, 110; 441/32, 136

(56) **References Cited**

**U.S. PATENT DOCUMENTS**

- D. 290,674 \* 7/1987 Valov ..... D7/605 X
- D. 294,571 \* 3/1988 Sabin et al. .... D7/605 X
- D. 307,854 \* 5/1990 Doucette et al. .... D7/605

- D. 333,592 \* 3/1993 Walker ..... D7/605
- 4,324,111 \* 4/1982 Edwards ..... 62/457.1 X
- 4,612,781 \* 9/1986 Swerdon ..... 62/457.1

\* cited by examiner

*Primary Examiner*—Terry A. Wallace

(74) *Attorney, Agent, or Firm*—Henderson & Sturm LLP

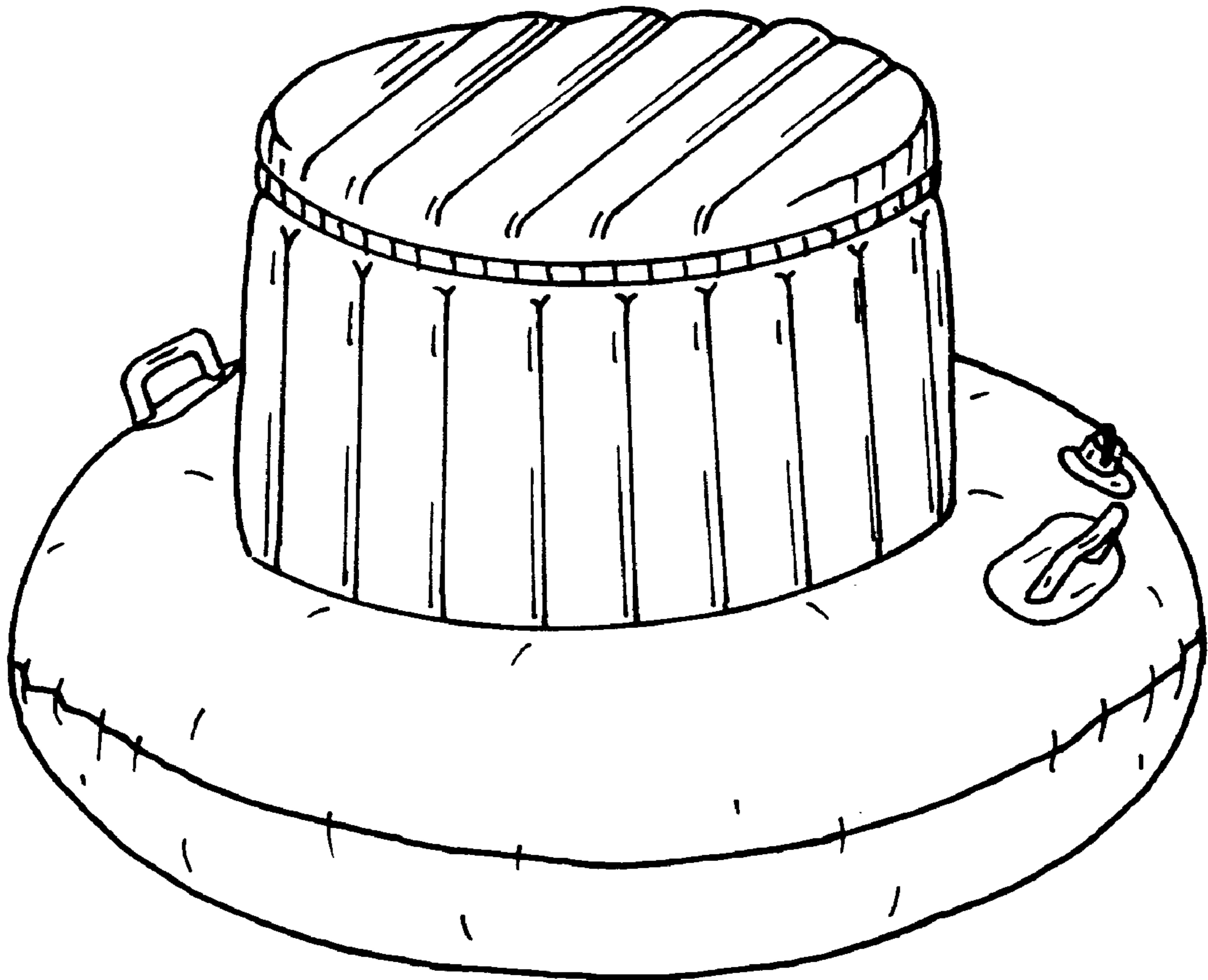
(57) **CLAIM**

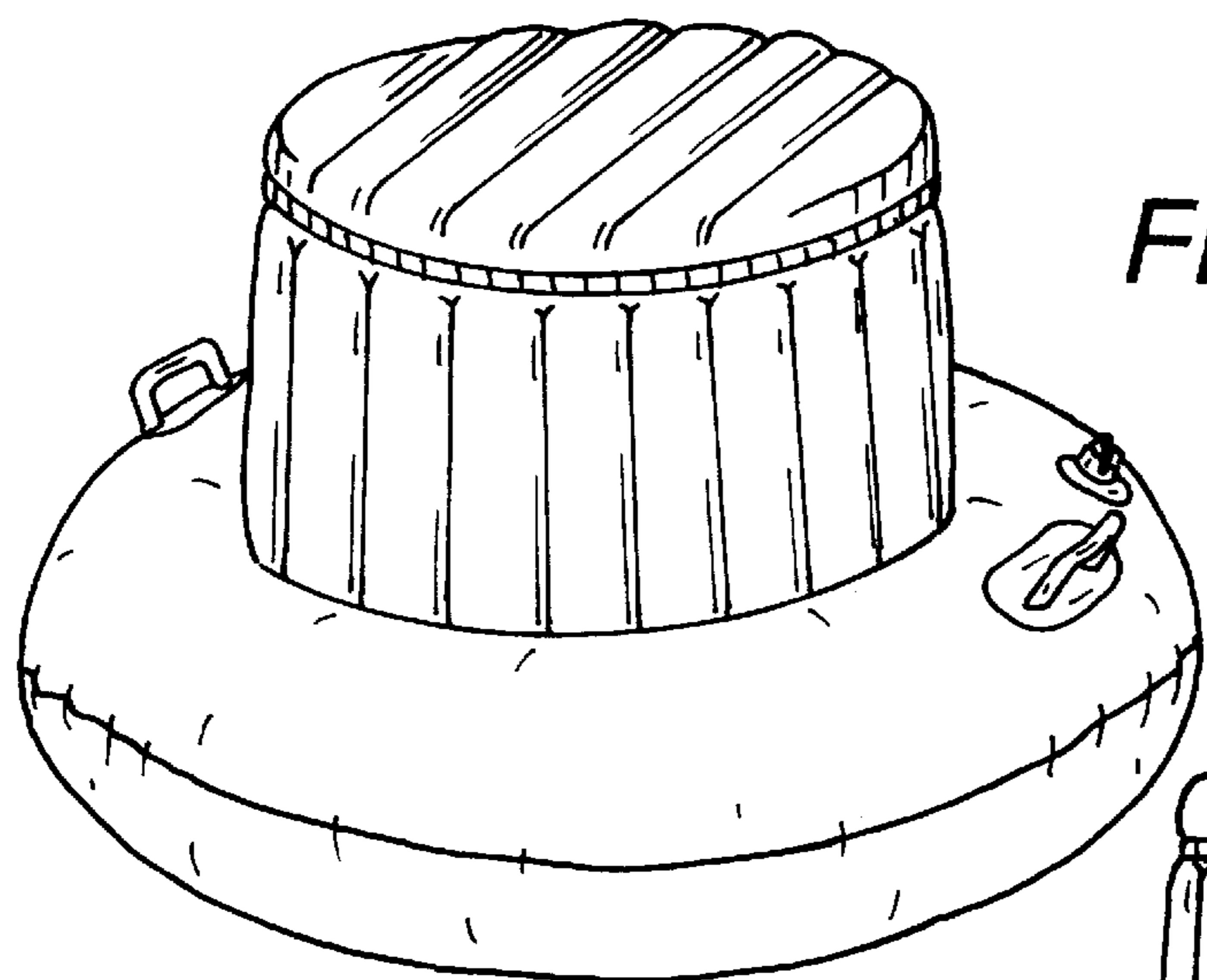
The ornamental design for an inflatable cooler, as shown and described.

**DESCRIPTION**

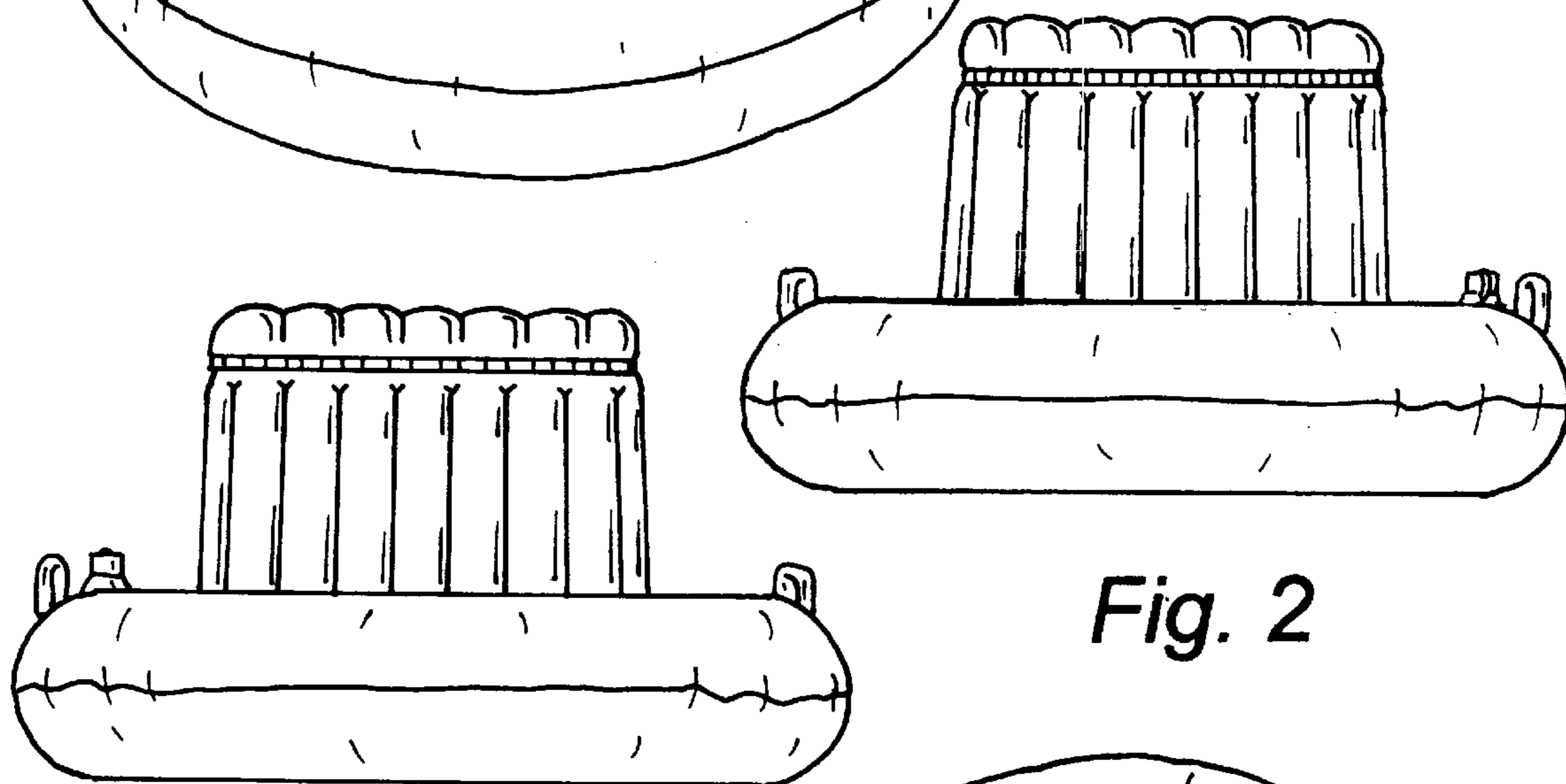
FIG. 1 is a perspective view of the inflatable cooler showing my new design;  
 FIG. 2 is a right side elevational view thereof;  
 FIG. 3 is a left side elevational view thereof;  
 FIG. 4 is a top plan view thereof;  
 FIG. 5 is a bottom plan view thereof;  
 FIG. 6 is a front elevational view thereof; and,  
 FIG. 7 is a rear elevational view thereof.

**1 Claim, 2 Drawing Sheets**



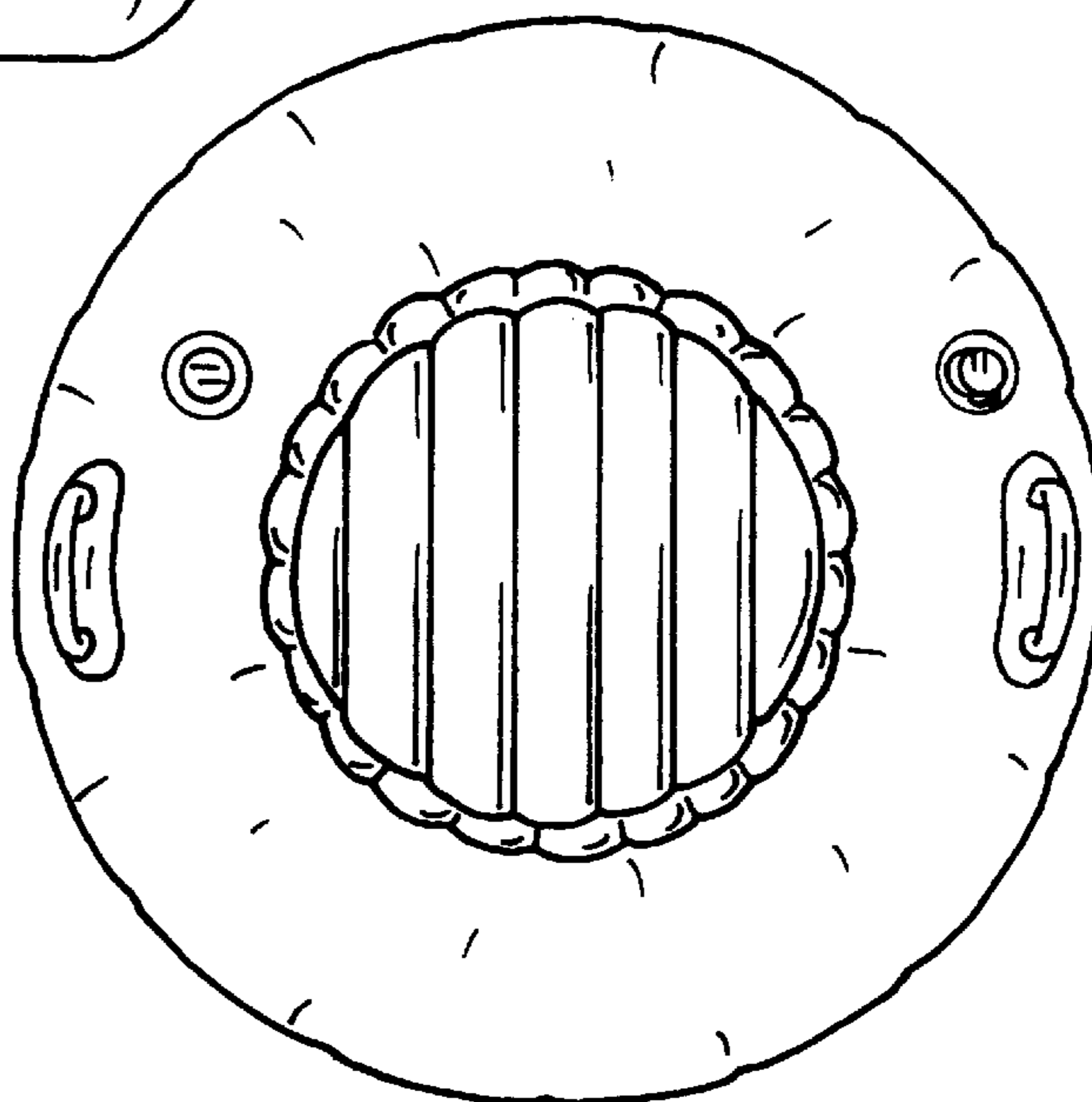


*Fig. 1*

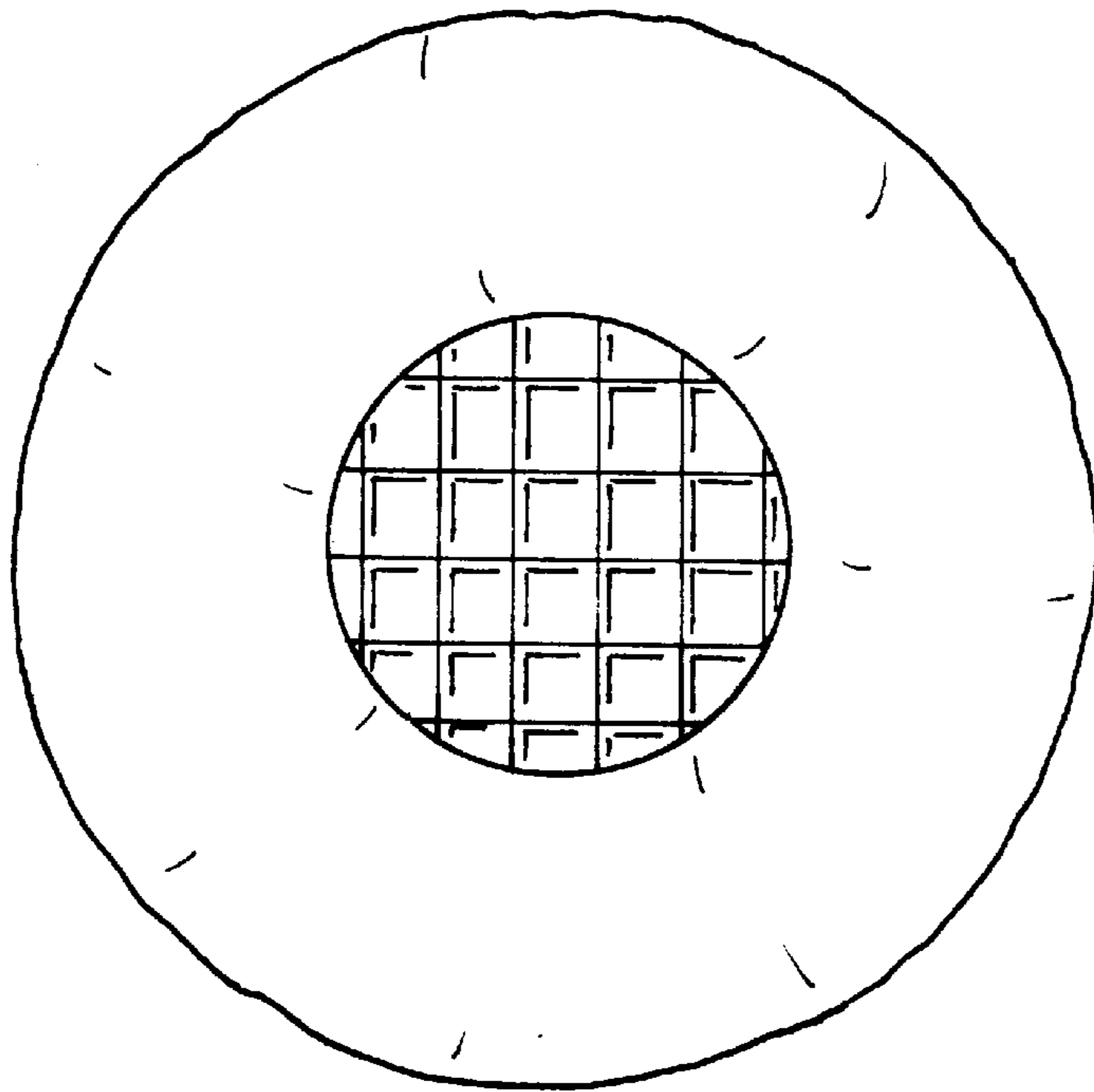


*Fig. 2*

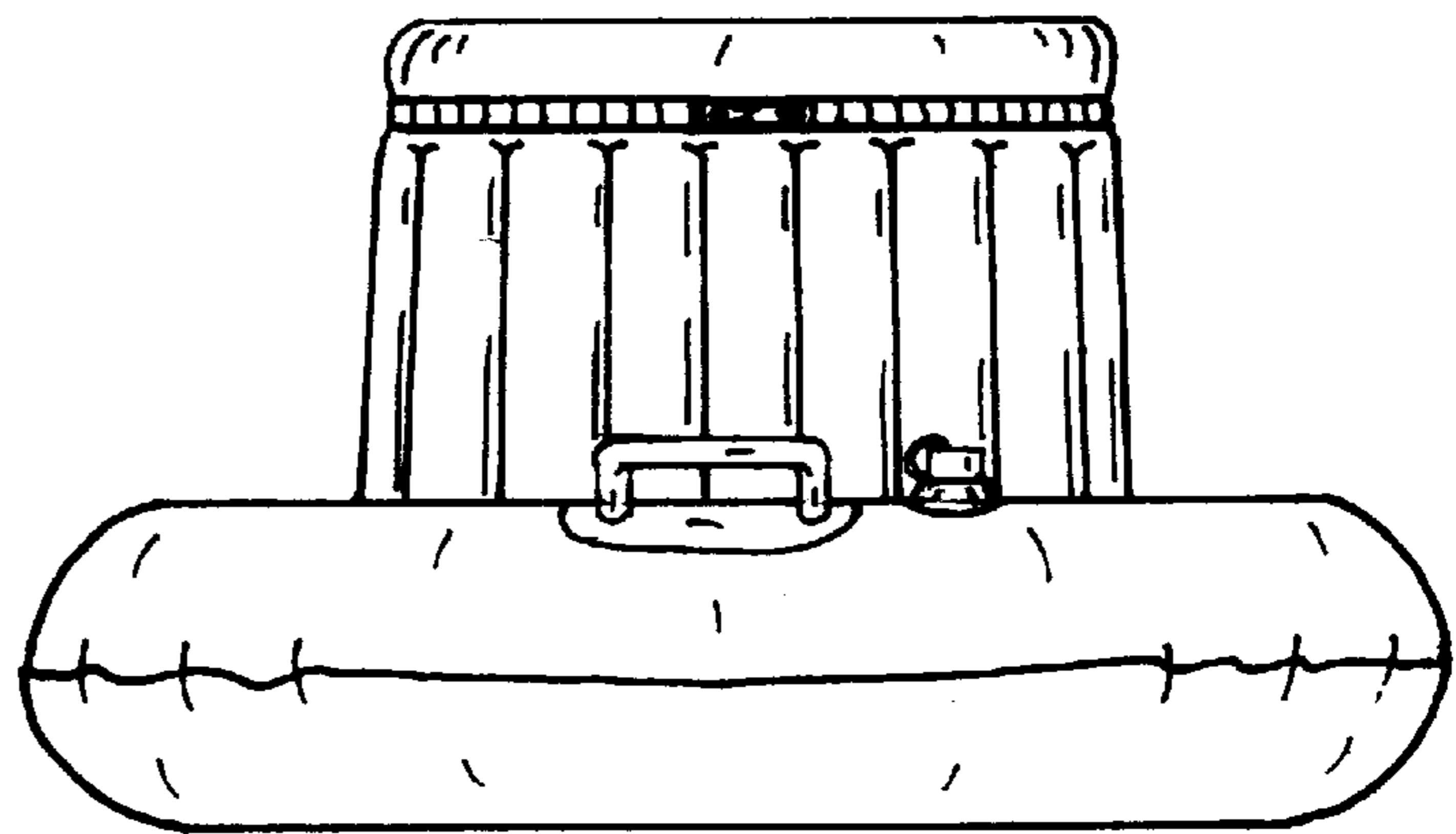
*Fig. 3*



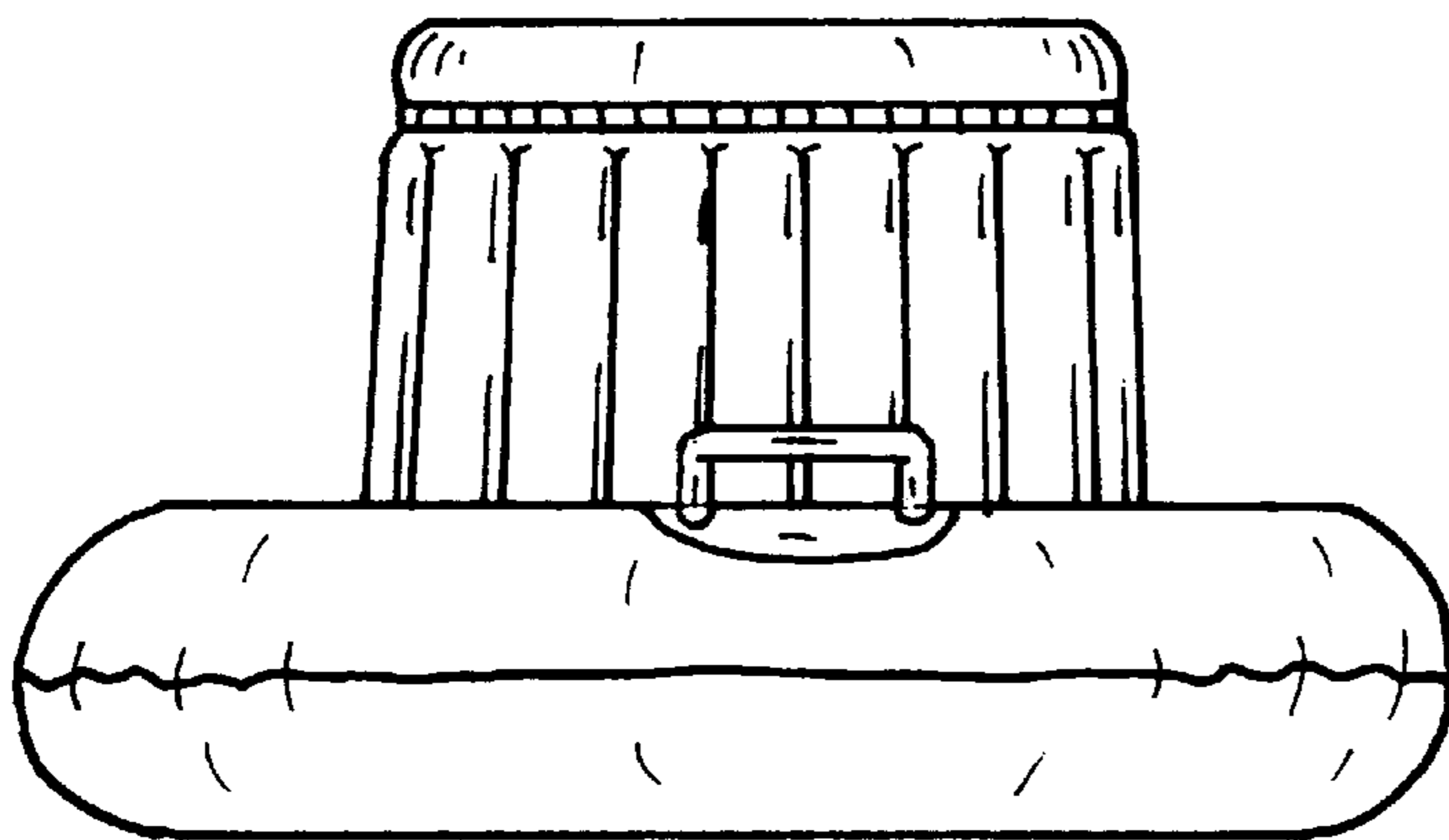
*Fig. 4*



*Fig. 5*



*Fig. 6*



*Fig. 7*