



US00D440118S

(12) **United States Design Patent**  
**Claffy et al.**

(10) **Patent No.:** **US D440,118 S**

(45) **Date of Patent:** **\*\* Apr. 10, 2001**

(54) **INSULATED FOOD TRAY**

(75) Inventors: **Joseph R. Claffy**, Western Springs;  
**Edward W. Claffy**, Oak Brook, both of  
IL (US)

(73) Assignee: **Correctional Technologies, Inc.**,  
Willowbrook, IL (US)

(\*\*) Term: **14 Years**

(21) Appl. No.: **29/120,224**

(22) Filed: **Mar. 15, 2000**

(51) **LOC (7) Cl.** ..... **07-01**

(52) **U.S. Cl.** ..... **D7/553.1**

(58) **Field of Search** ..... D7/550.1, 553.1,  
D7/553.2; 229/109, 5.84, 939, 406; 220/4.21,  
23.6, 592.22, 592.25, 656, 902, 23.83;  
206/545, 217, 503, 509, 558, 564; 126/246,  
261; 219/385; 426/109, 114, 418

3,295,737	1/1967	Page .	
3,305,124	2/1967	Whiteford .	
3,532,247	10/1970	Bridges .	
3,608,770	9/1971	Naimoli .	
3,799,386 *	3/1974	Madalin et al. ....	206/545
3,850,333	11/1974	Reichert .	
4,232,789	11/1980	Springer .	
5,145,090 *	9/1992	Wyatt .....	220/4.21
5,445,276 *	8/1995	Gordon .....	206/545
5,660,280	8/1997	Wiederhold .	
5,857,583	1/1999	Chantaca .	
5,868,268 *	2/1999	Walker .....	206/545
5,873,218 *	2/1999	Kendig .....	126/246
5,885,636 *	3/1999	Carville .....	206/545

\* cited by examiner

*Primary Examiner*—Antoine Duval Davis

(74) *Attorney, Agent, or Firm*—Banner & Witcoff, Ltd.

(57) **CLAIM**

The ornamental design for an insulated food tray, as shown and described.

(56) **References Cited**

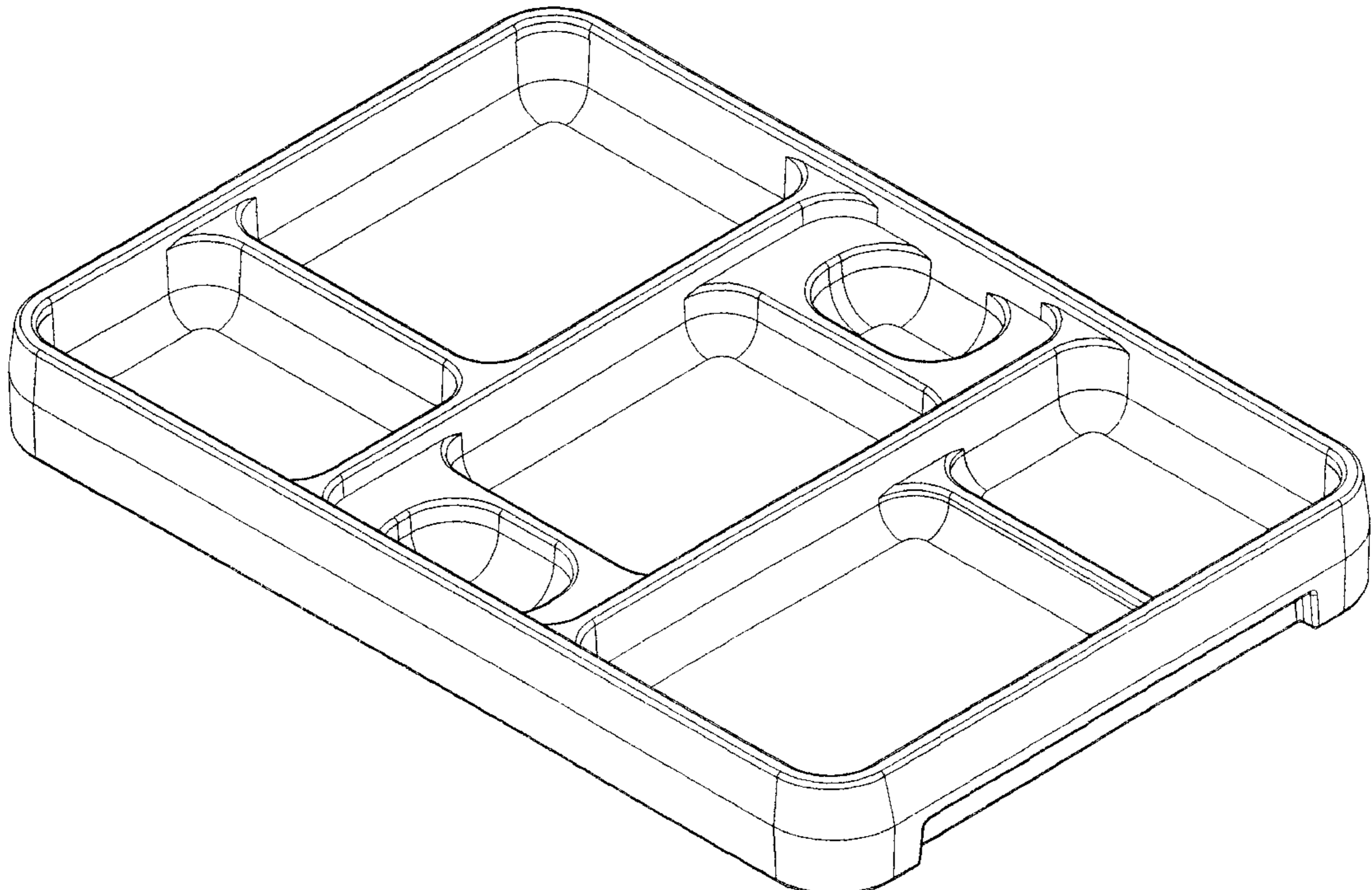
**U.S. PATENT DOCUMENTS**

Re. 30,962	6/1982	Bridges .	
D. 106,419	10/1937	Barber .	
D. 122,589	9/1940	Bastress .	
D. 159,454	7/1950	Waltman .	
D. 199,684	12/1964	Lombardo .	
D. 214,523	6/1969	Stone .	
D. 261,591	11/1981	Herbet .	
D. 273,928	5/1984	Tarozzi .	
D. 283,666 *	5/1986	Holzkopf .....	D7/553.2
D. 396,954 *	8/1998	Iverson et al. ....	D7/553.2

**DESCRIPTION**

FIG. 1 is an isometric view of an insulated food tray showing our design;  
FIG. 2 a top plan view thereof;  
FIG. 3 a bottom plan view thereof;  
FIG. 4 a front elevational view thereof; and,  
FIG. 5 a side elevational view thereof.  
The broken line showing is for illustrative purposes only and forms no part of the claimed design.

**1 Claim, 5 Drawing Sheets**



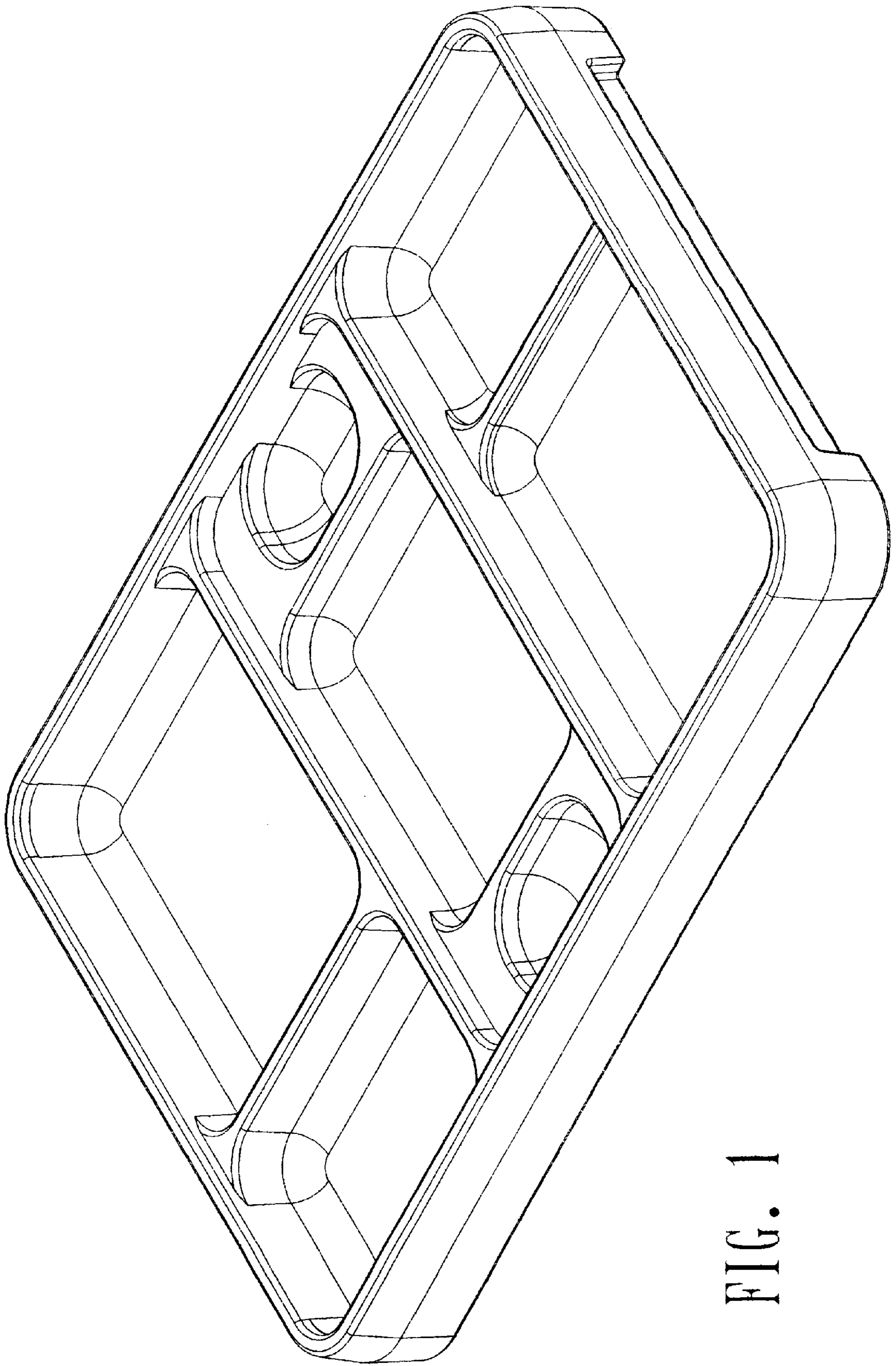


FIG. 1

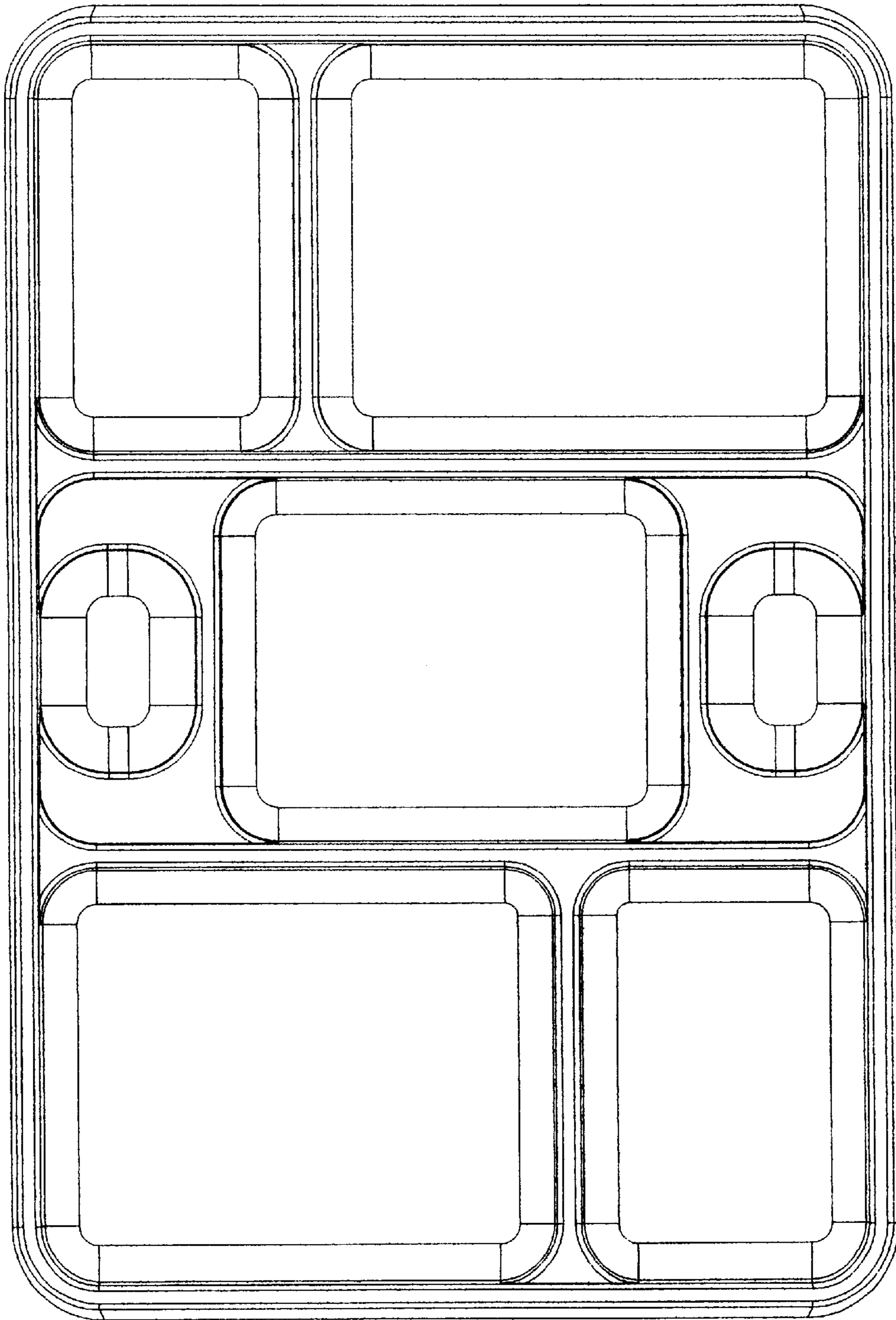


FIG. 2

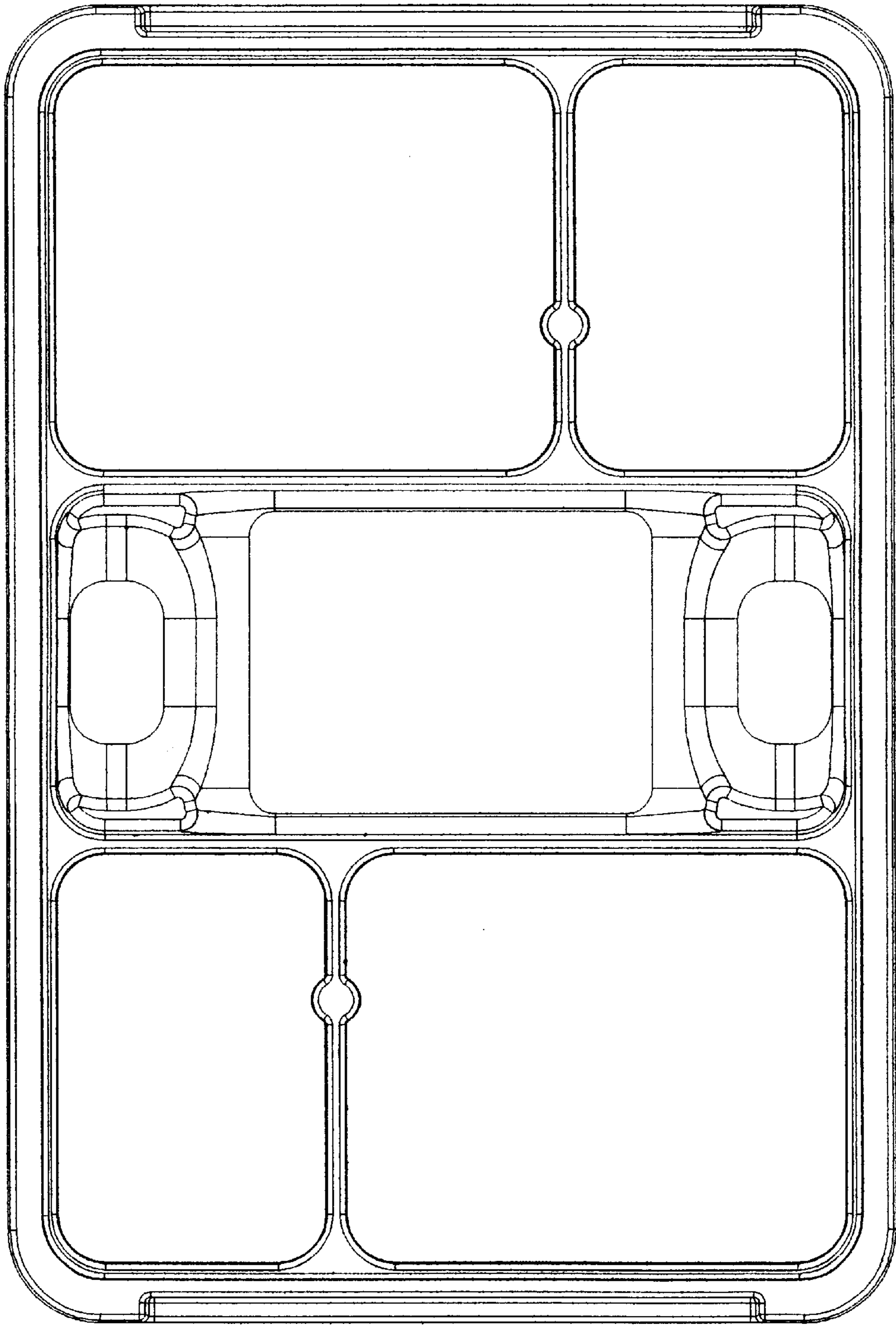


FIG. 3

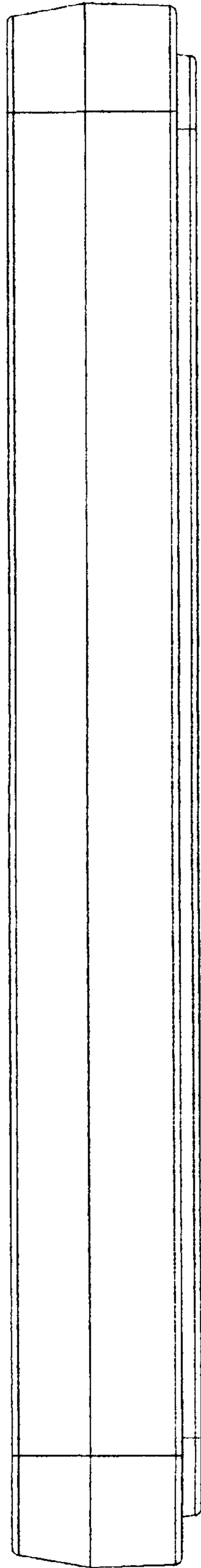


FIG. 4

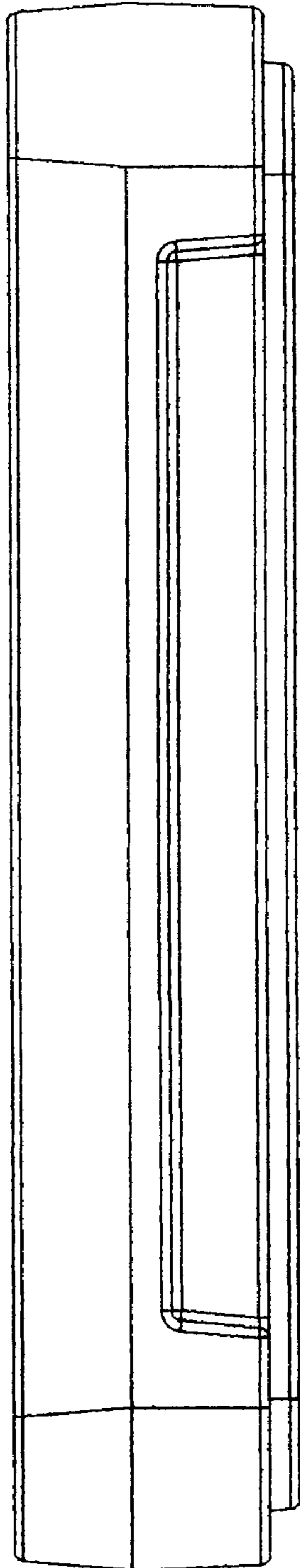


FIG. 5