



US00D440117S

(12) **United States Design Patent**
Claffy et al.

(10) **Patent No.:** **US D440,117 S**

(45) **Date of Patent:** **** Apr. 10, 2001**

(54) **INSULATED FOOD TRAY LID**
(75) Inventors: **Joseph R. Claffy**, Western Springs;
Edward W. Claffy, Oak Brook, both of
IL (US)

3,295,737 1/1967 Page .
3,305,124 2/1967 Whiteford .
3,532,247 10/1970 Bridges .
3,608,770 9/1971 Naimoli .
3,850,333 11/1974 Reichert .
4,232,789 11/1980 Springer .
5,660,280 8/1997 Wiederhold .
5,857,583 1/1999 Chantaca .

(73) Assignee: **Correctional Technologies, Inc.**,
Willowbrook, IL (US)

(**) Term: **14 Years**

Primary Examiner—Antoine Duval Davis
(74) *Attorney, Agent, or Firm*—Banner & Witcoff, Ltd.

(21) Appl. No.: **29/120,220**

(57) **CLAIM**

(22) Filed: **Mar. 15, 2000**

The ornamental design for an insulated food tray lid, as shown and described.

(51) **LOC (7) Cl.** **07-01**

(52) **U.S. Cl.** **D7/550.1**

(58) **Field of Search** D7/553.2, 550.1,
D7/553.1; 229/109, 5.84, 939, 406; 220/4.21,
23.6, 592.22, 592.25, 656, 902, 23.83;
206/545, 217, 503, 509, 558, 564; 126/246,
261; 219/385; 426/109, 114, 418

DESCRIPTION

FIG. 1 is an isometric view from above of an insulated food tray lid showing our design;
FIG. 2 is an isometric view from below thereof;
FIG. 3 a top plan view thereof;
FIG. 4 a bottom plan view thereof;
FIG. 5 a front elevational view thereof;
FIG. 6 a side elevational view thereof;
FIG. 7 is an isometric view from above thereof similar to FIG. 1; and,
FIG. 8 is a front elevational view from above thereof similar to FIG. 5.

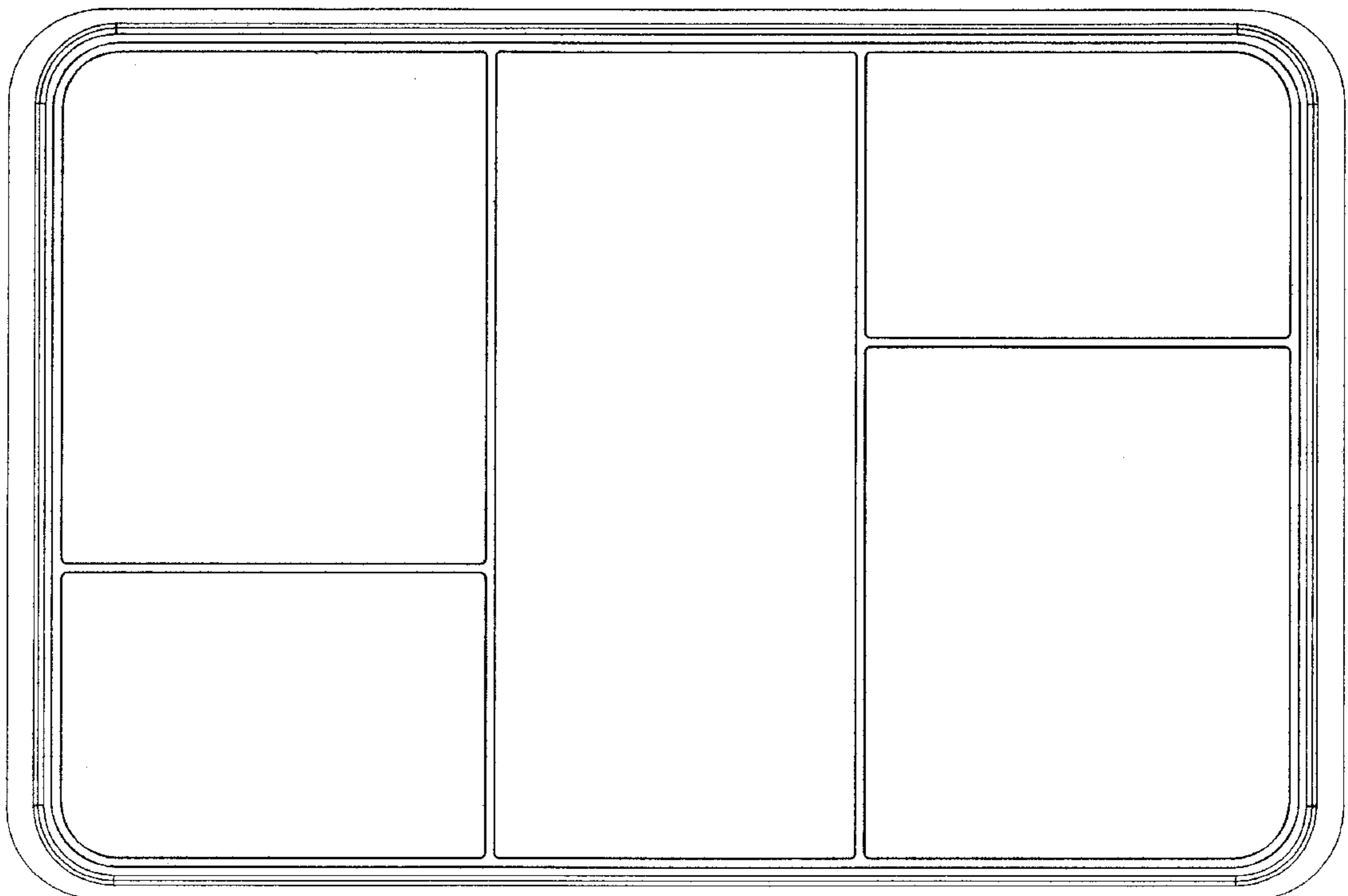
The broken line showing is for illustrative purposes only and forms no part of the claimed design.

(56) **References Cited**

U.S. PATENT DOCUMENTS

- Re. 30,962 6/1982 Bridges .
- D. 106,419 10/1937 Barber .
- D. 122,589 9/1940 Bastress .
- D. 159,454 7/1950 Waltman .
- D. 199,684 12/1964 Lombardo .
- D. 214,523 6/1969 Stone .
- D. 261,591 11/1981 Herbet .
- D. 273,928 5/1984 Tarozzi .

1 Claim, 8 Drawing Sheets



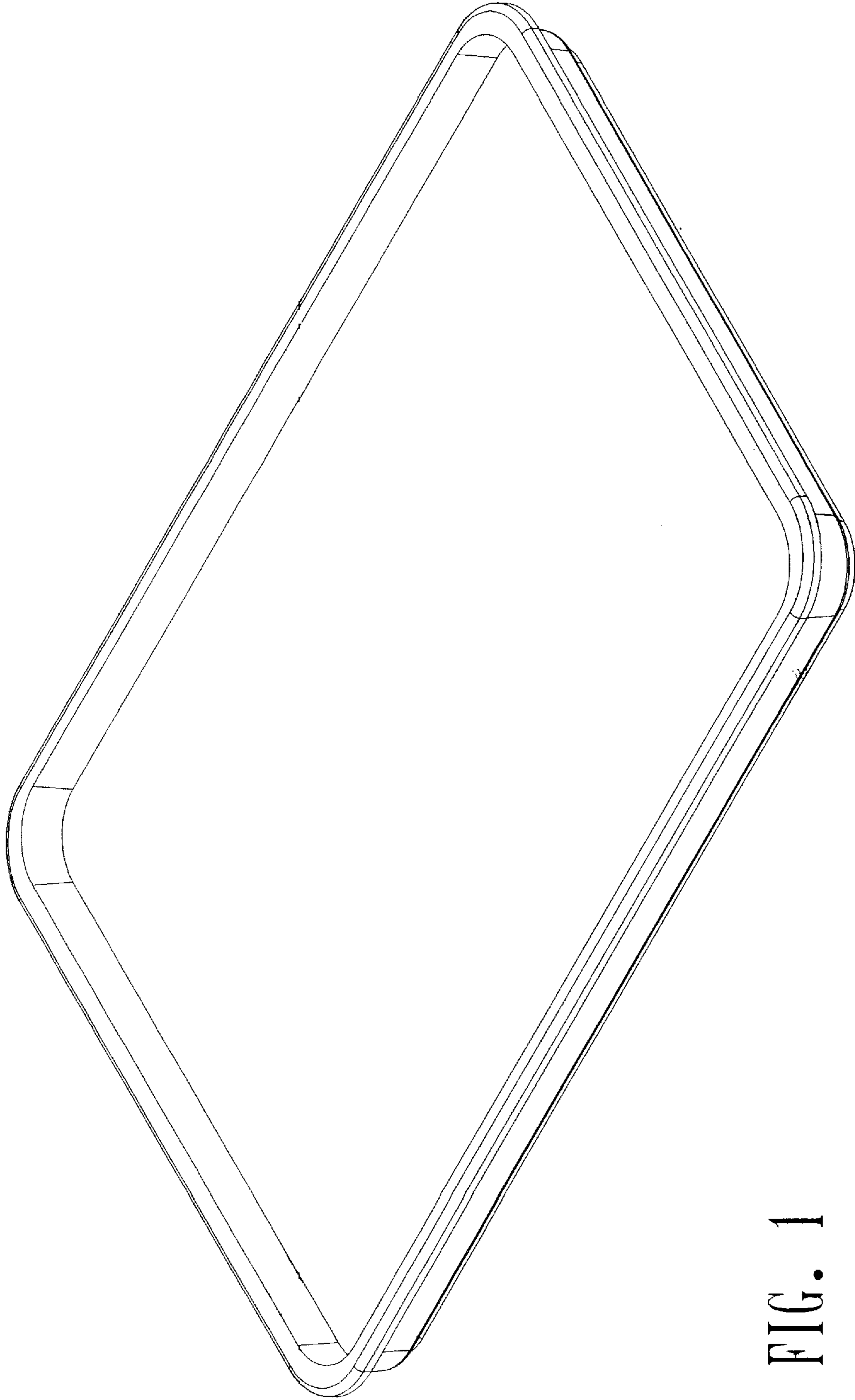


FIG. 1

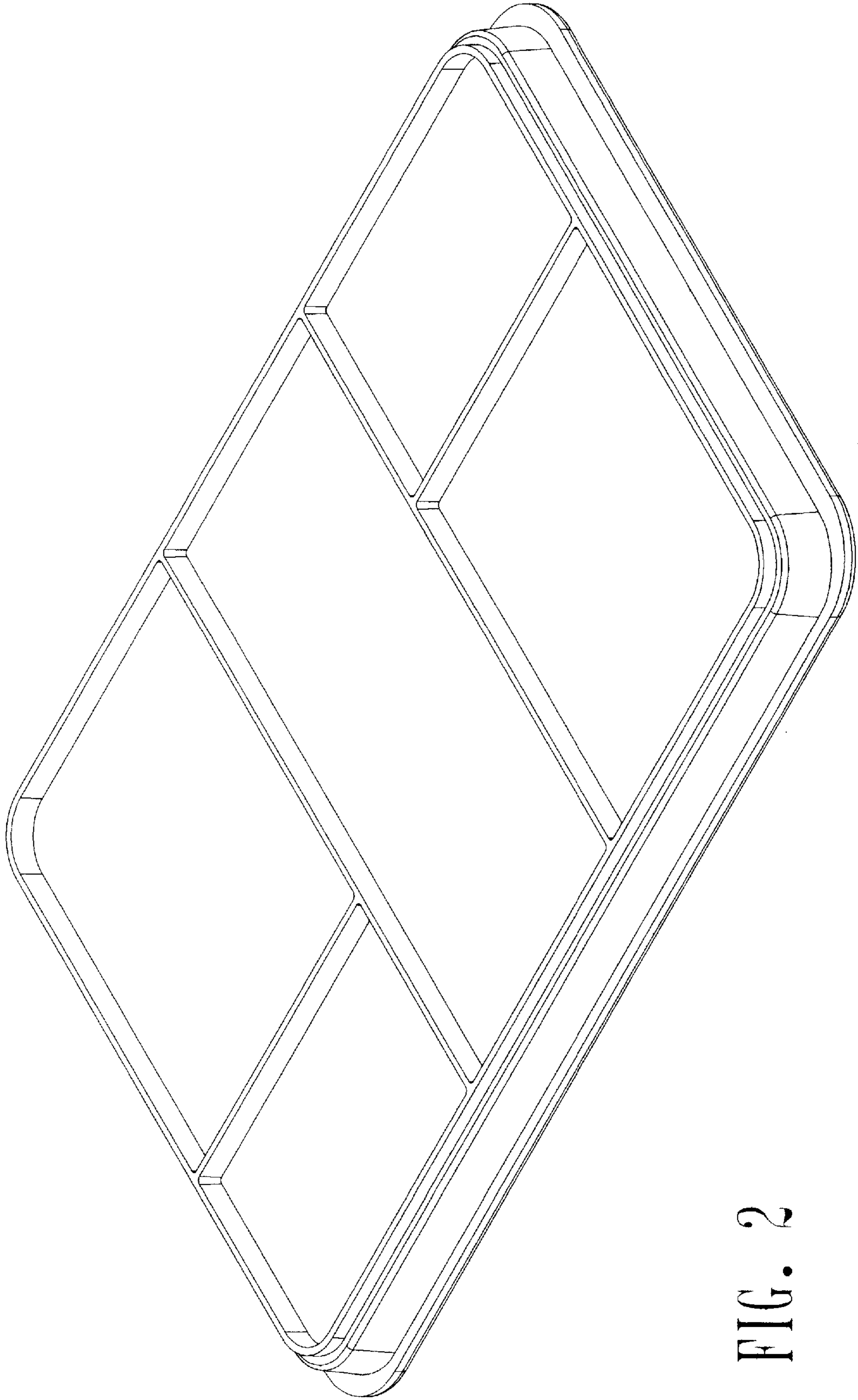


FIG. 2

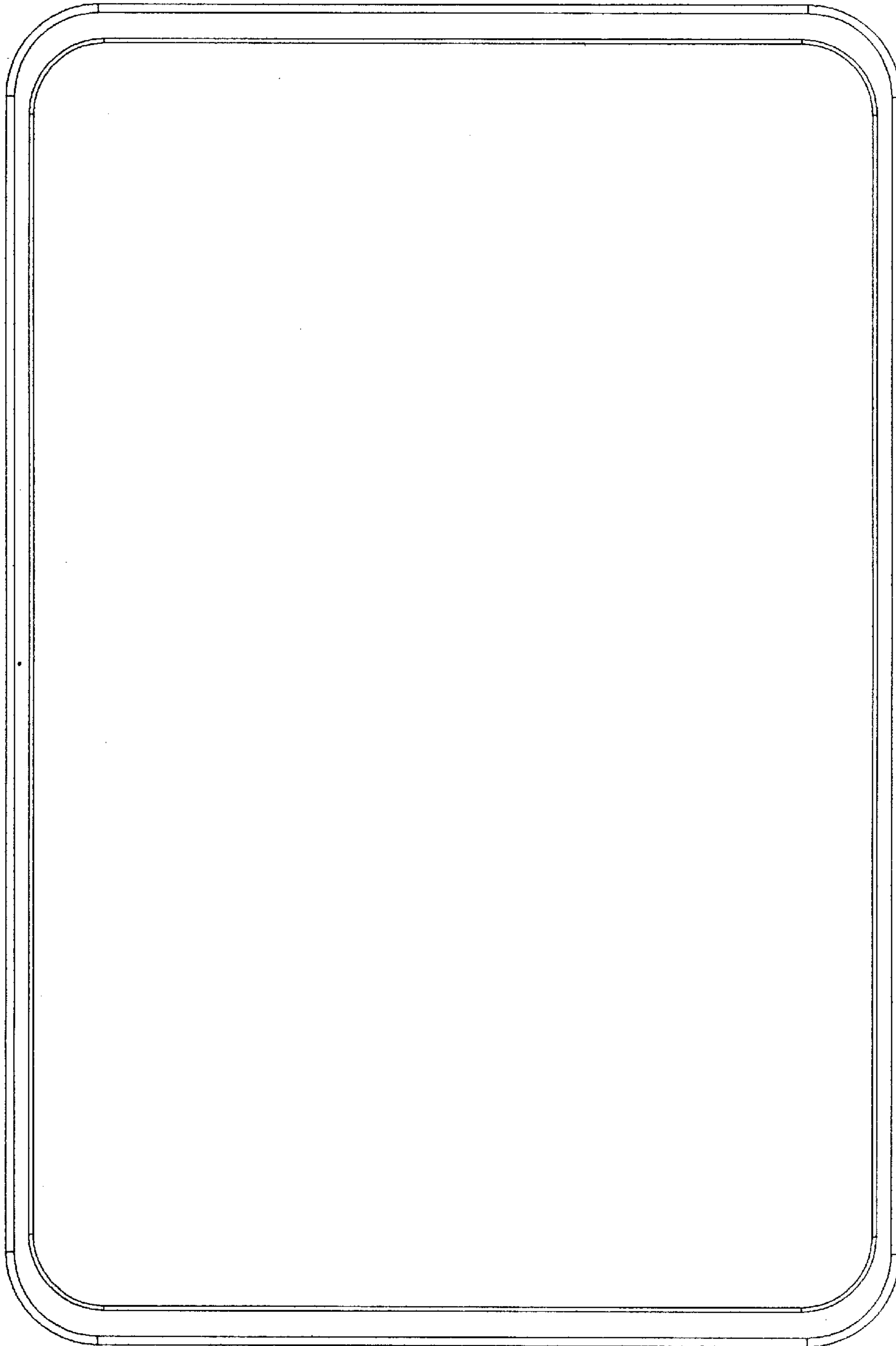


FIG. 3

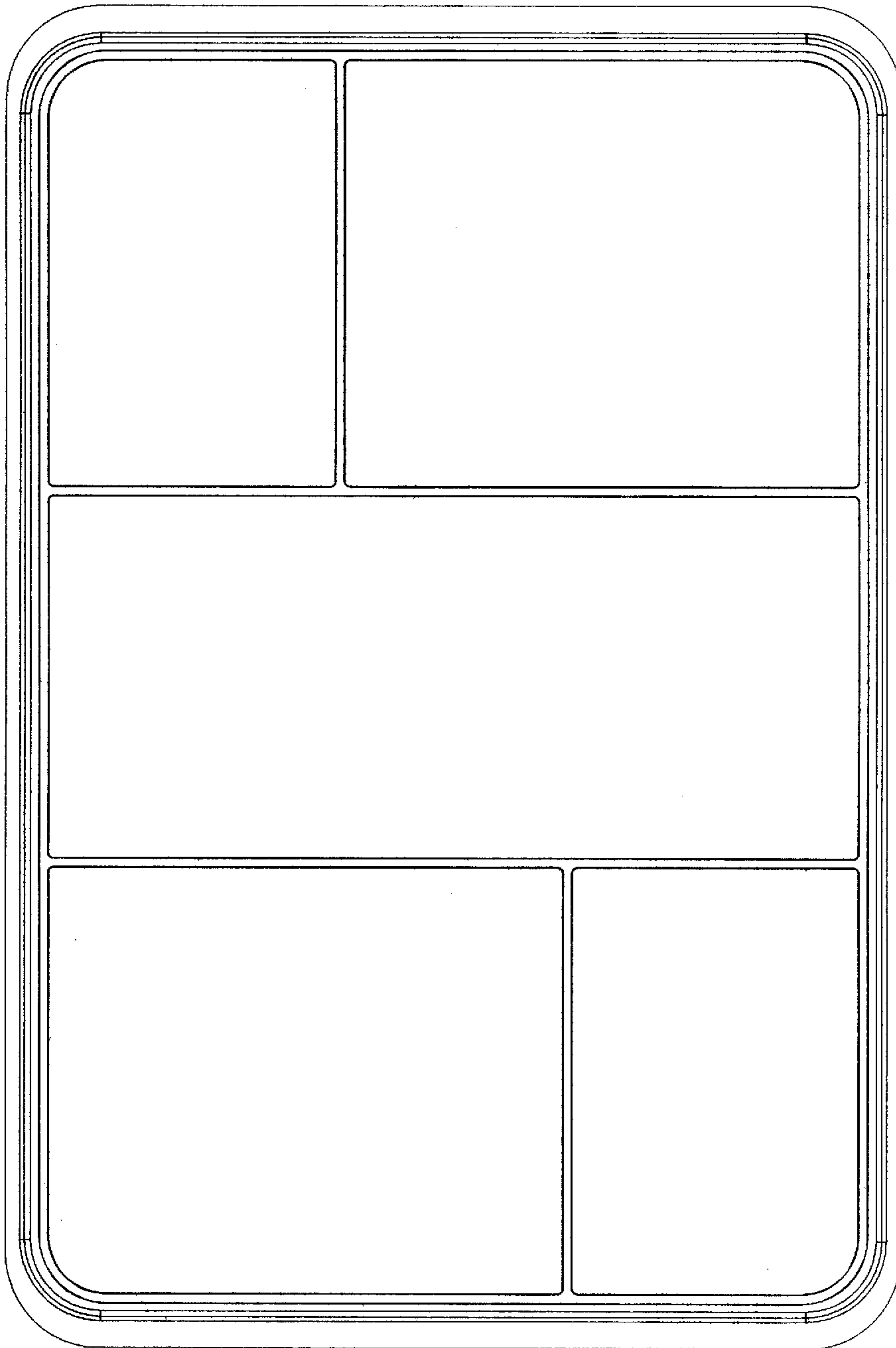


FIG. 4

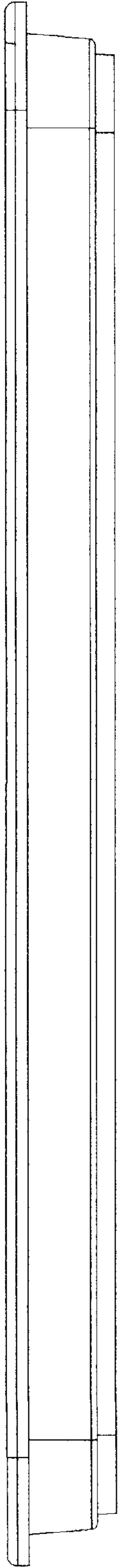


FIG. 5

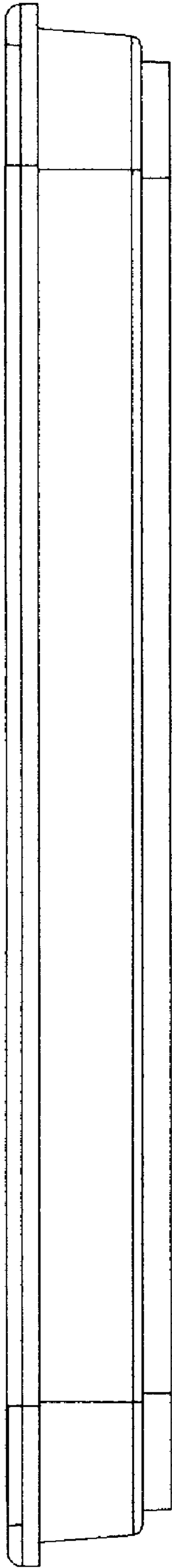


FIG. 6

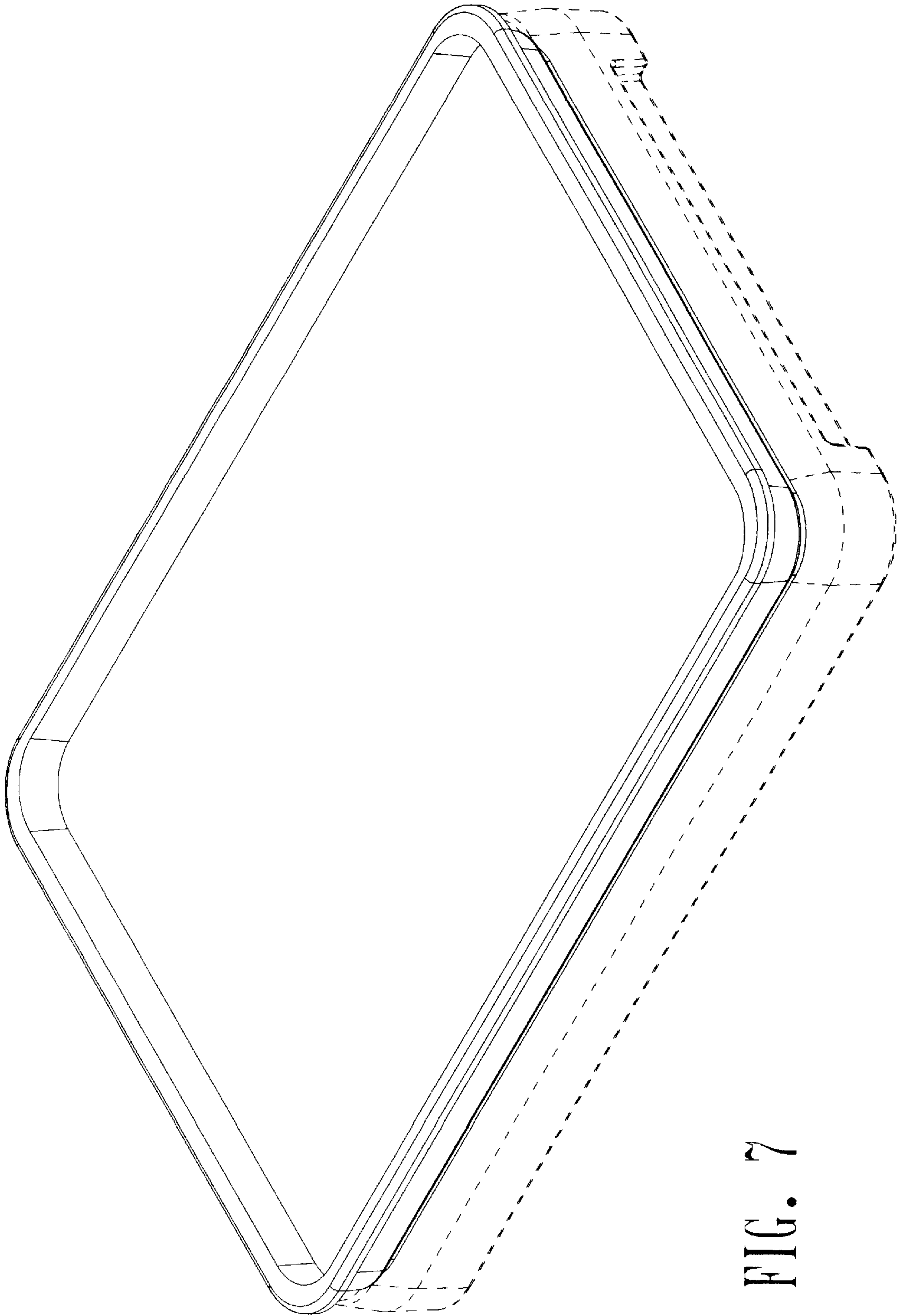


FIG. 7

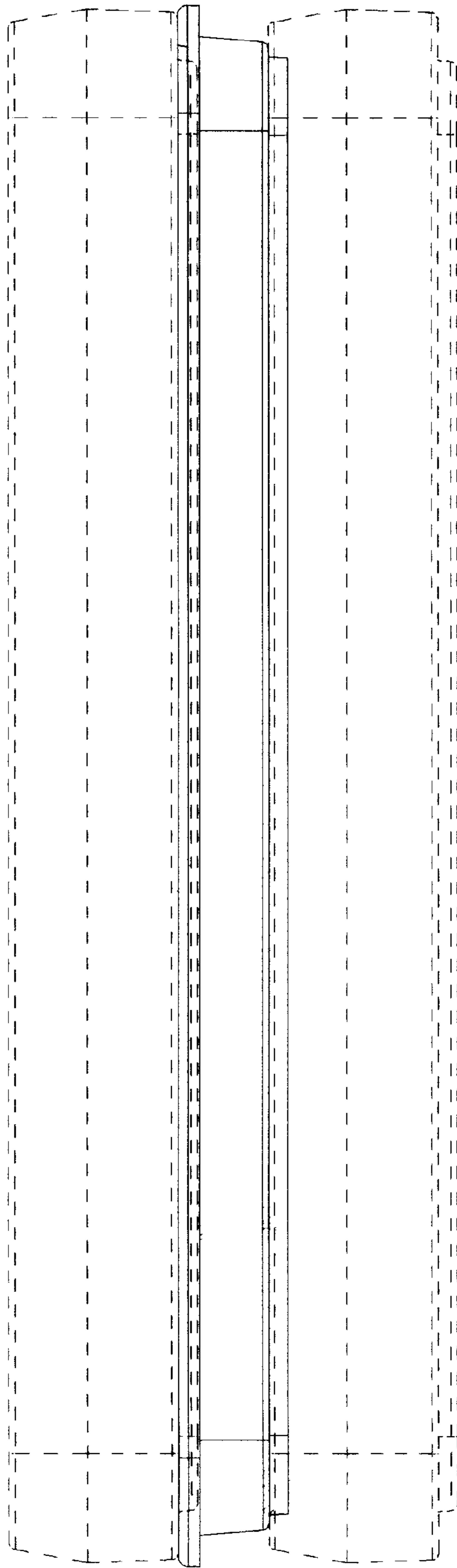


FIG. 8