



US00D440116S

(12) **United States Design Patent**
Levie

(10) **Patent No.:** **US D440,116 S**

(45) **Date of Patent:** **** Apr. 10, 2001**

(54) **UTENSIL HANDLE**
(75) **Inventor:** **Mark W. Levie**, Elmira, NY (US)
(73) **Assignee:** **World Kitchen, Inc.**, Elmira, NY (US)
(**) **Term:** **14 Years**

4,991,803	2/1991	Buder	248/113
4,993,671	2/1991	Ste. Marie	248/113
5,087,014	2/1992	Desjardin	248/692
5,105,963	4/1992	Scott	220/735
5,518,211	5/1996	Gaskill et al.	248/37.6
5,678,790	10/1997	Dwyer	248/37.6
5,730,405	3/1998	Nichols, IV	248/213.2
5,823,483	10/1998	Gaskill	248/37.6
6,030,012	2/2000	Hadj-Chikh et al.	294/7

(21) **Appl. No.:** **29/122,175**
(22) **Filed:** **Apr. 20, 2000**

* cited by examiner

(51) **LOC (7) Cl.** **07-02**
(52) **U.S. Cl.** **D7/401.2; D7/395**
(58) **Field of Search** **D7/642, 643, 645,**
D7/653, 662-664, 688, 691, 401.2, 393,
395; 16/110.1, 430, 431; 30/323, 326, 327

Primary Examiner—Caron D. Veynar
(74) *Attorney, Agent, or Firm*—Wolf, Greenfield & Sacks,
P.C.

(57) **CLAIM**

The ornamental design for a utensil handle, as shown and described.

(56) **References Cited**

DESCRIPTION

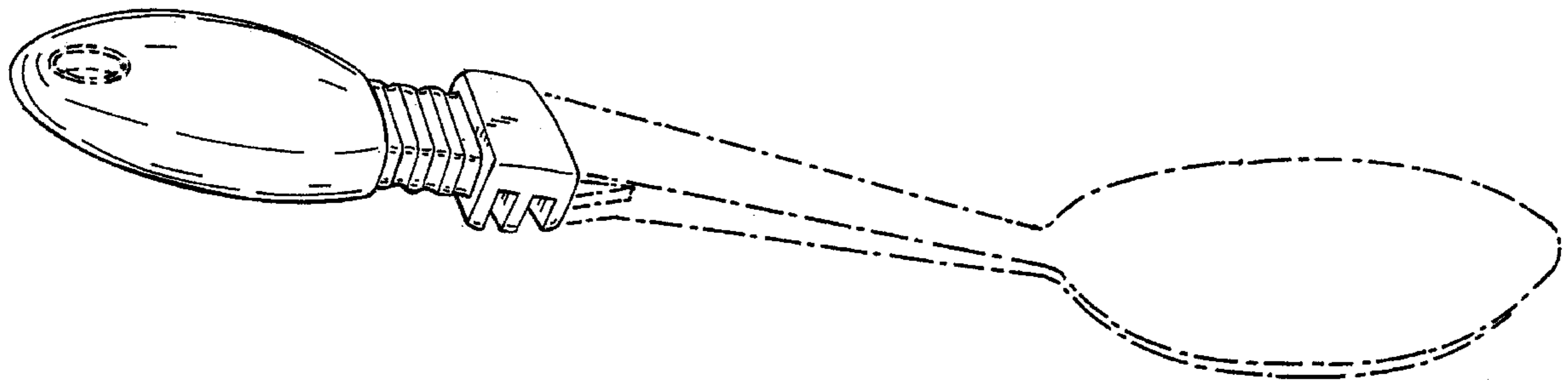
U.S. PATENT DOCUMENTS

148,355	3/1874	Dennett .	
D. 196,133	8/1963	Brown .	
315,989	4/1885	Ziph .	
397,885	2/1889	Abbe .	
1,196,543	8/1916	Hauf .	
1,237,504	8/1917	Graham .	
1,300,008	4/1919	Plasclascovitie .	
1,305,777	6/1919	Cunningham .	
1,323,924	12/1919	Stevens .	
1,327,982	6/1920	Burns .	
1,464,731	8/1923	Smith .	
1,836,014	12/1931	Chamberlain .	
1,928,995	10/1933	DeBiasi	53/8
2,751,683 *	6/1956	Johns	30/324
2,789,349	4/1957	Lee	30/296

FIG. 1 is a side, top perspective view of a utensil handle showing my new design.
FIG. 2 is a top view thereof;
FIG. 3 is a bottom view thereof;
FIG. 4 is a left side view thereof;
FIG. 5 is a right side view thereof;
FIG. 6 is a rear view thereof; and,
FIG. 7 is a front view thereof.

The broken lines showing a spoon bowl with shaft and a hanger hole are for illustrative purposes only and form no part of the claimed design.

1 Claim, 2 Drawing Sheets



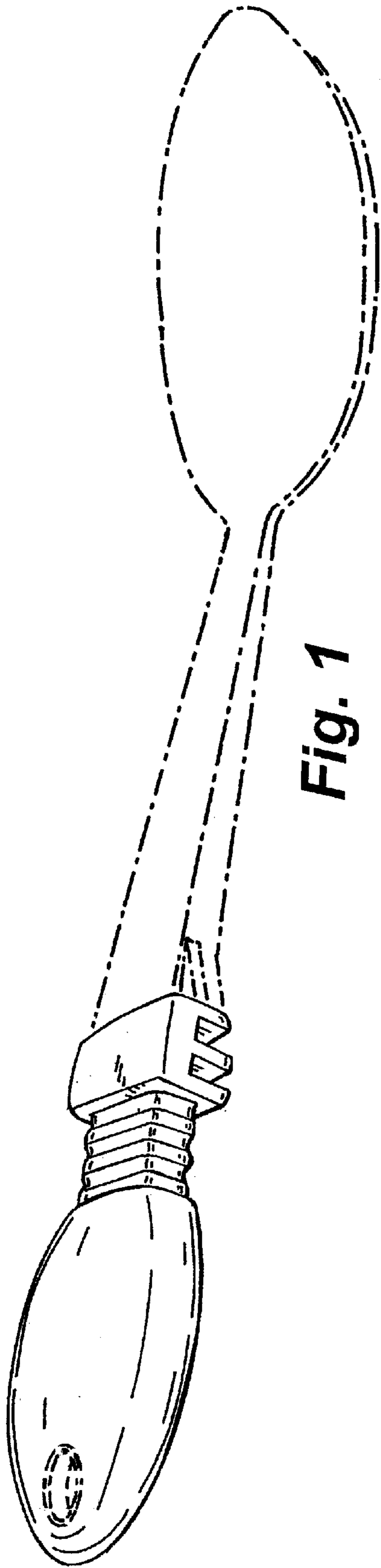


Fig. 1

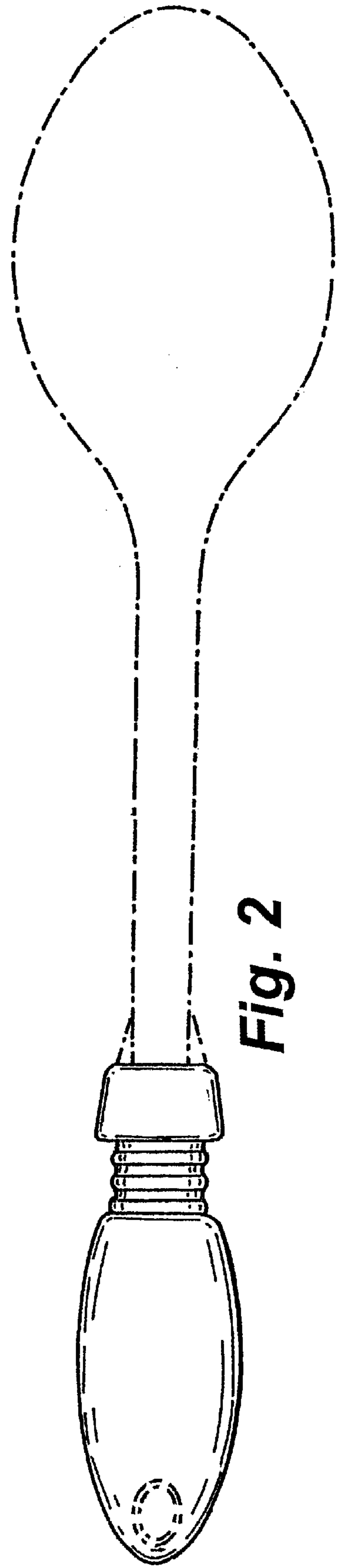


Fig. 2

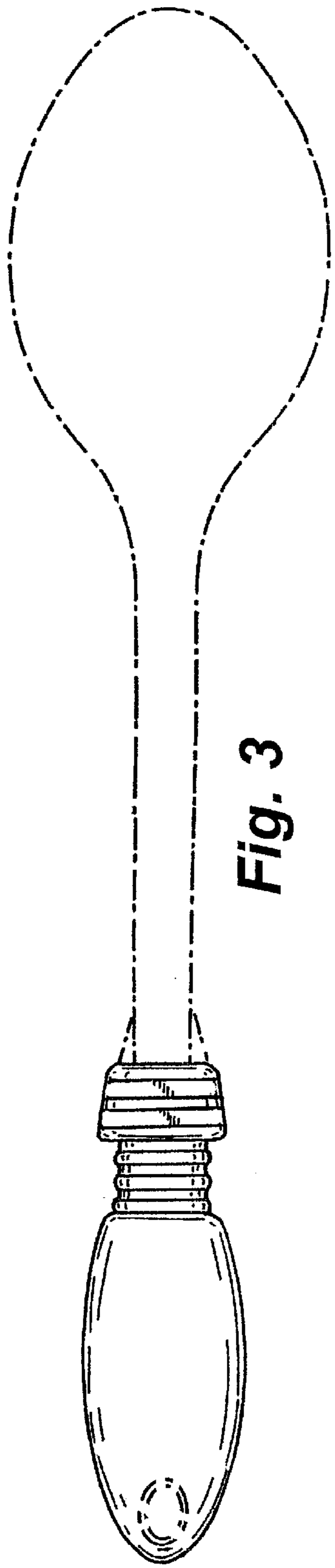


Fig. 3

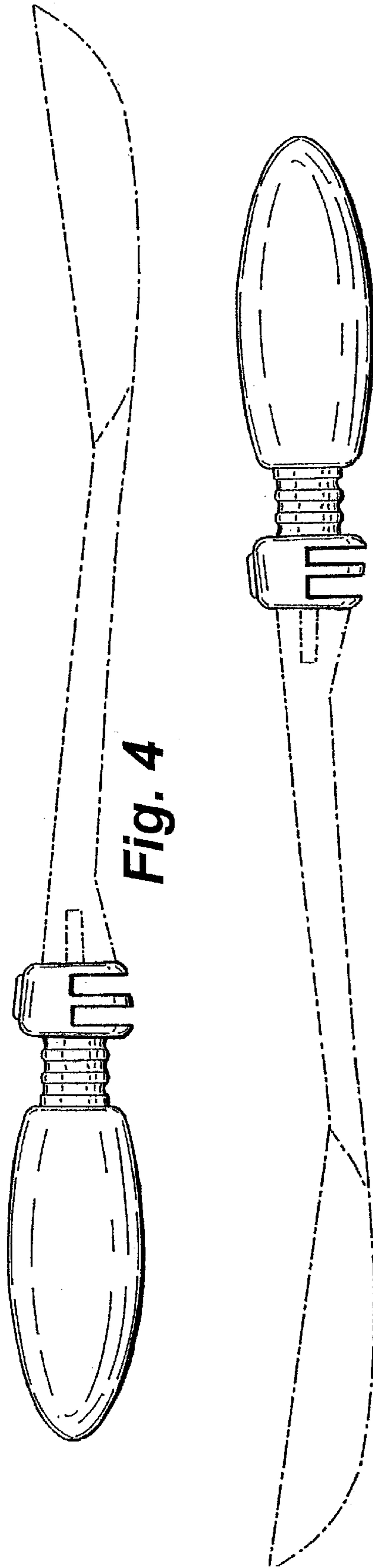


Fig. 4

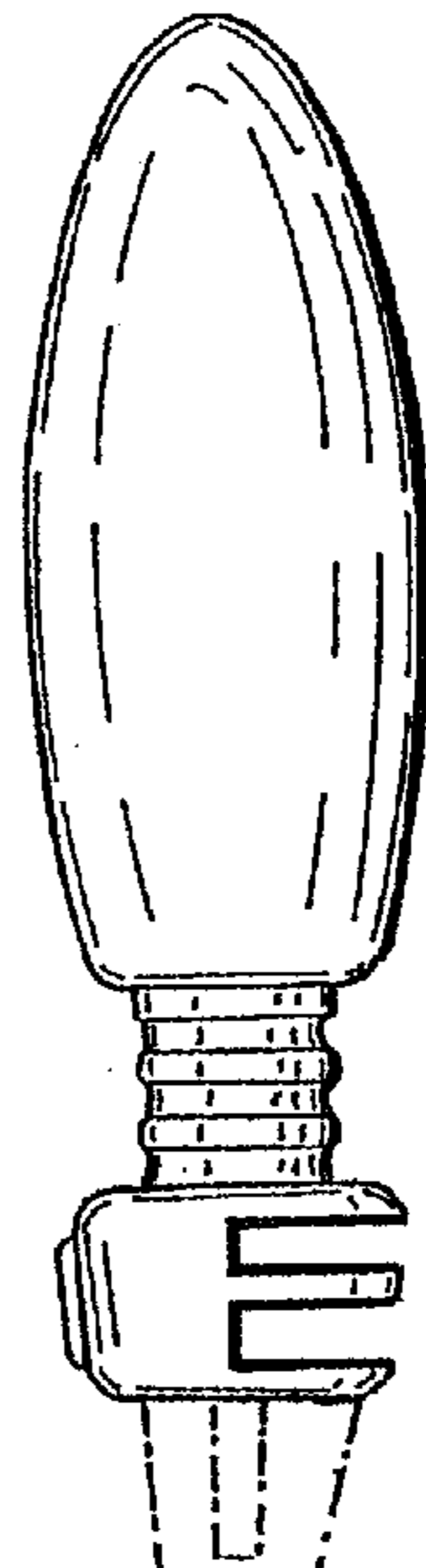


Fig. 5

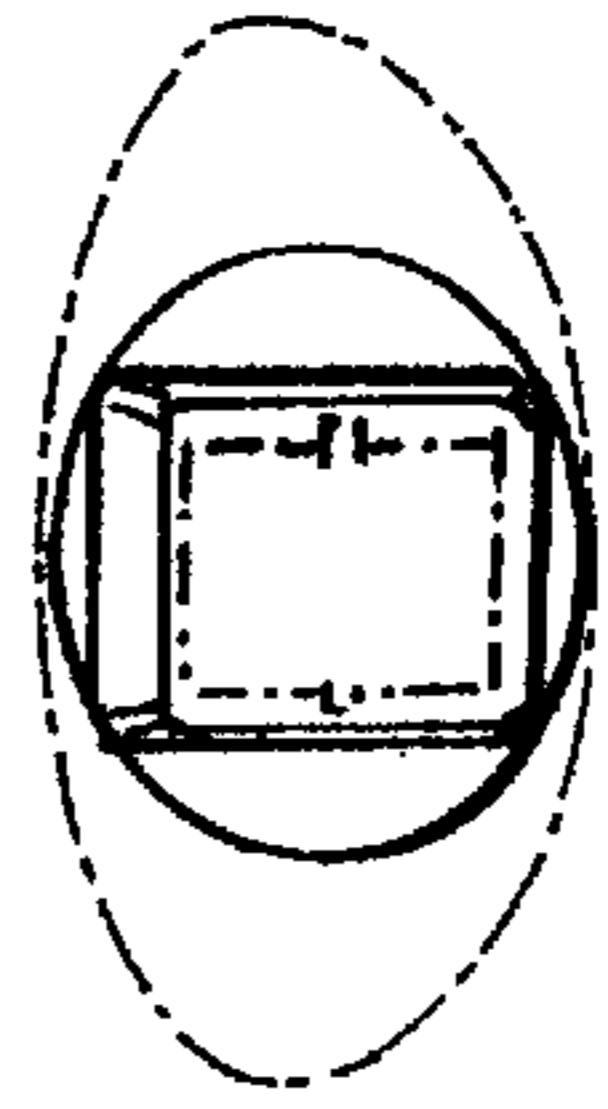


Fig. 7



Fig. 6