



US00D440111S

(12) **United States Design Patent**  
**Schepp**

(10) **Patent No.:** **US D440,111 S**

(45) **Date of Patent:** **\*\* Apr. 10, 2001**

(54) **DEVICE FOR BAKING POTATO**

*Primary Examiner*—Caron D. Veynar

(76) Inventor: **Ronald E Schepp**, 6350 Gateway Ave.,  
Sarasota, FL (US) 34231

(57) **CLAIM**

(\*\*) Term: **14 Years**

The ornamental design for a device for baking potato, as shown and described.

(21) Appl. No.: **29/120,726**

**DESCRIPTION**

(22) Filed: **Mar. 24, 2000**

FIG. 1 is a top, front, right side perspective in an alternate position (lid open) view of the device for baking potato of the present invention;

(51) **LOC (7) Cl.** ..... **07-02**

(52) **U.S. Cl.** ..... **D7/354**

FIG. 2 is a front elevational view of the device for baking potato of FIG. 1;

(58) **Field of Search** ..... D7/323, 354-363;  
219/525; 99/342

FIG. 3 is a rear elevational view of the device for baking potato of FIG. 1;

(56) **References Cited**

**U.S. PATENT DOCUMENTS**

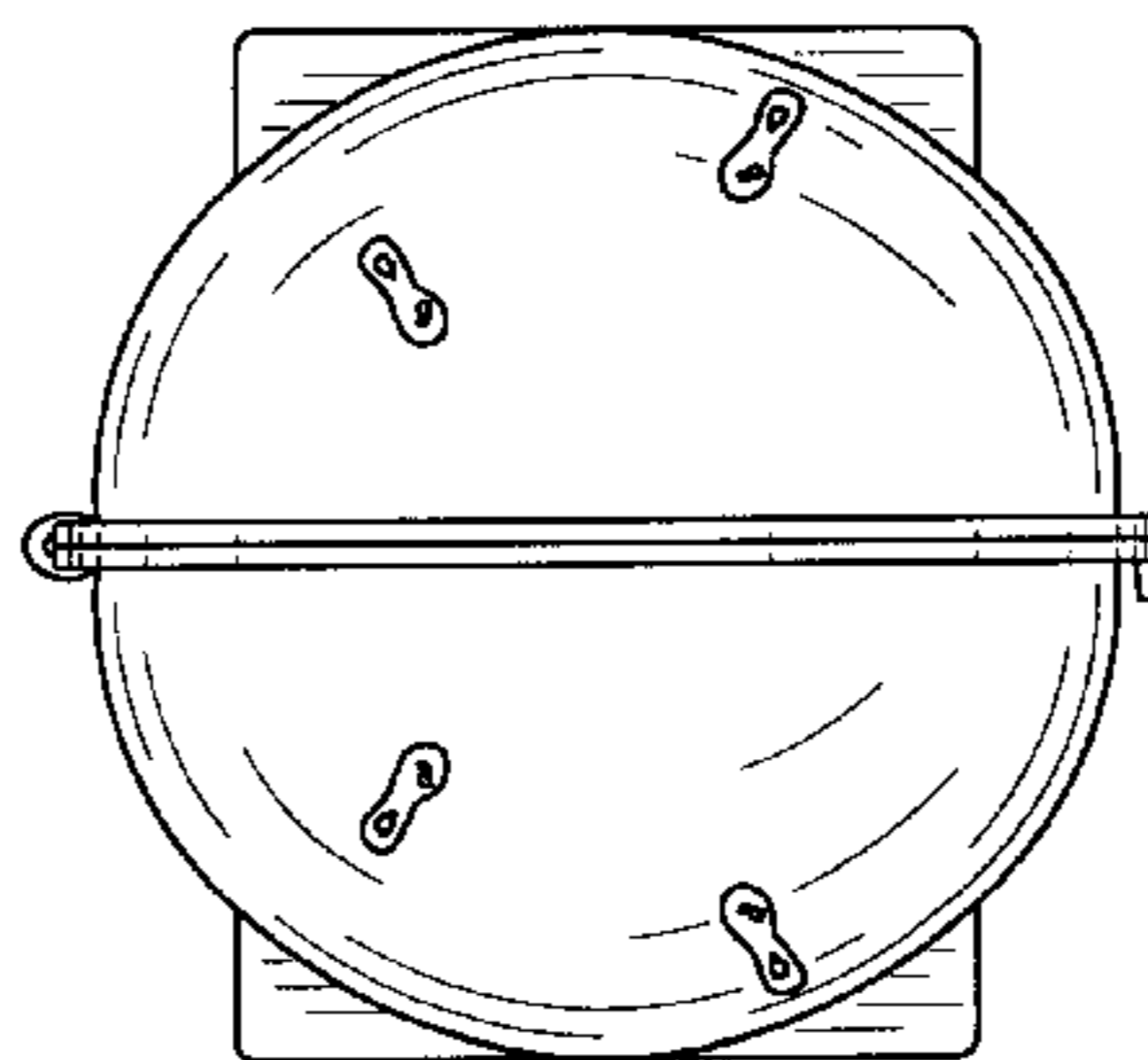
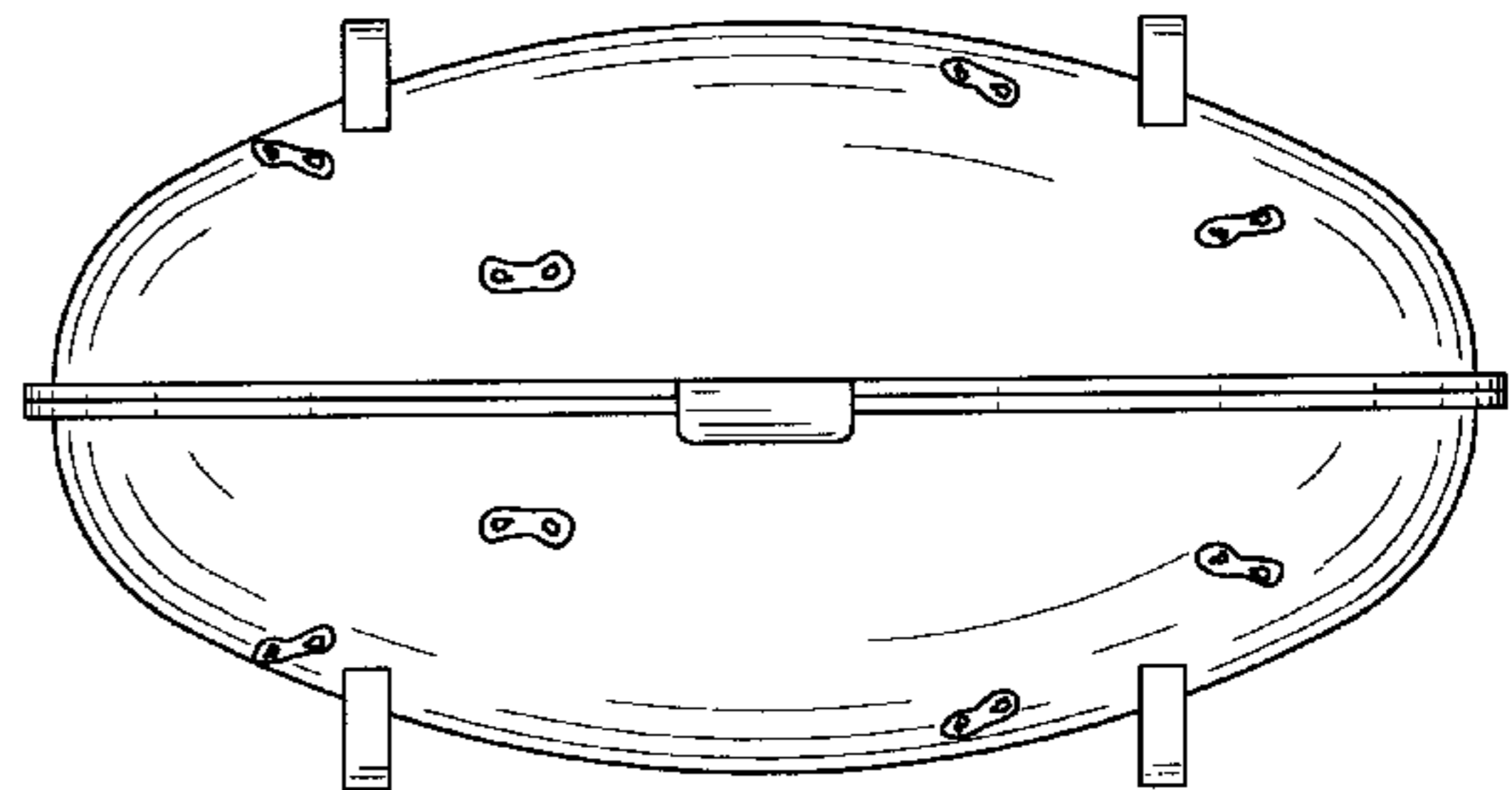
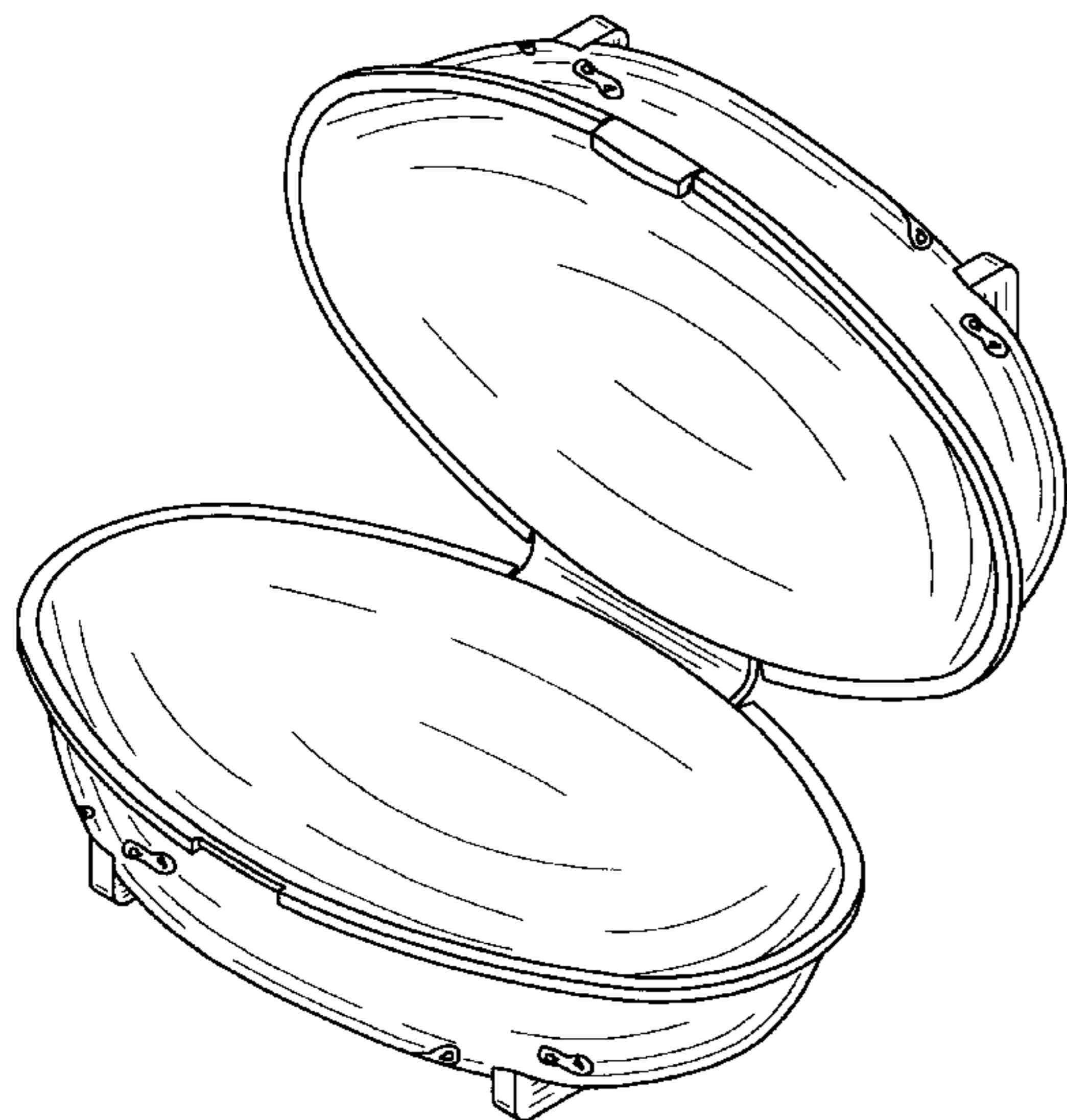
D. 255,756	*	7/1980	Dybala	.....	D7/360
D. 302,376	*	7/1989	Eisele	.....	D7/361
1,613,770	*	1/1927	Reichold	.....	219/525
2,096,726	*	10/1937	Barton	.....	99/342

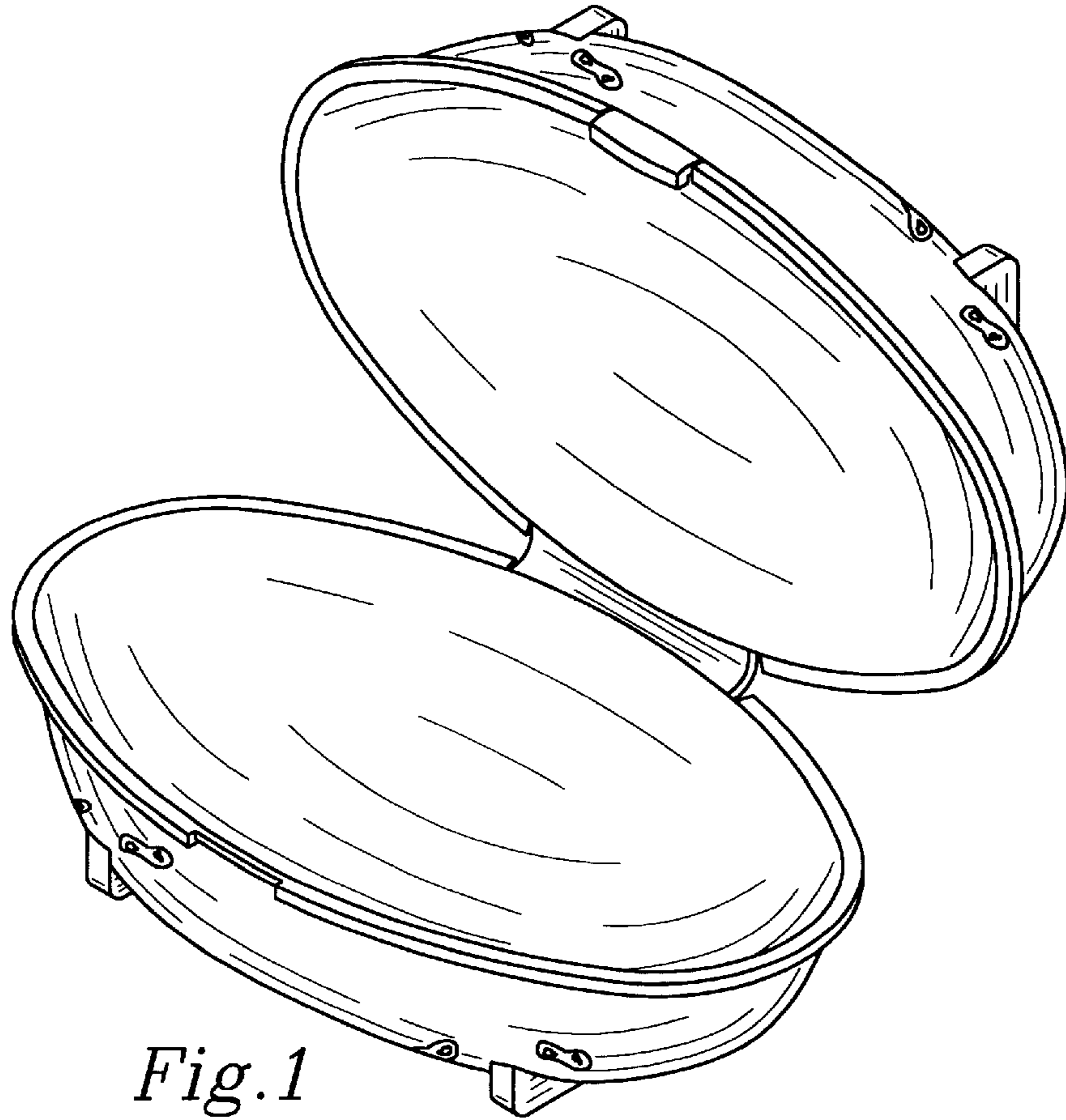
FIG. 4 is a left side elevational view of the device for baking potato of FIG. 1, the right view being a mirror image thereof; FIG. 5 is a top plan view of the device for baking potato of FIG. 1; and,

FIG. 6 is a bottom plan view of the device for baking potato of FIG. 1.

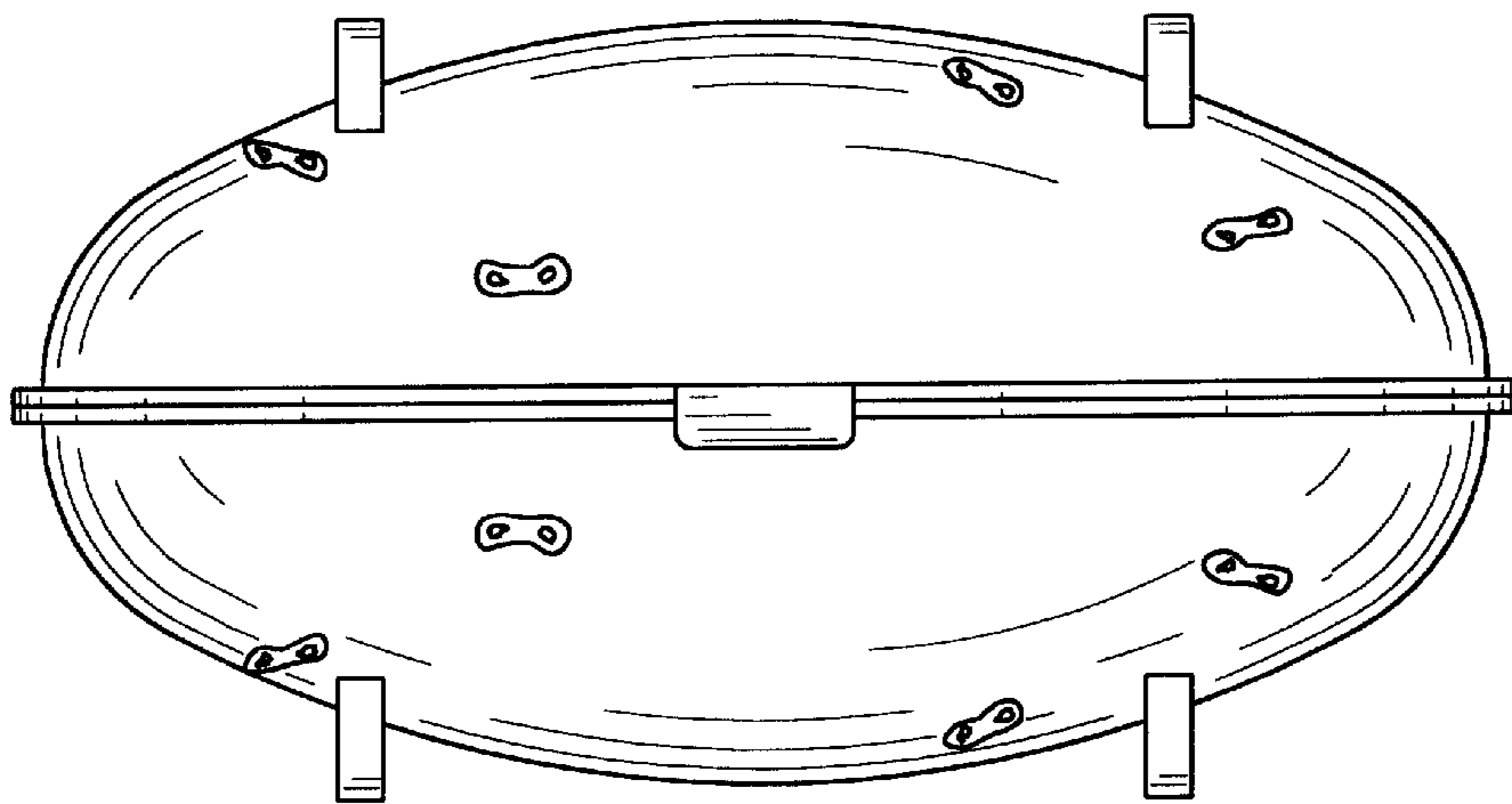
\* cited by examiner

**1 Claim, 3 Drawing Sheets**

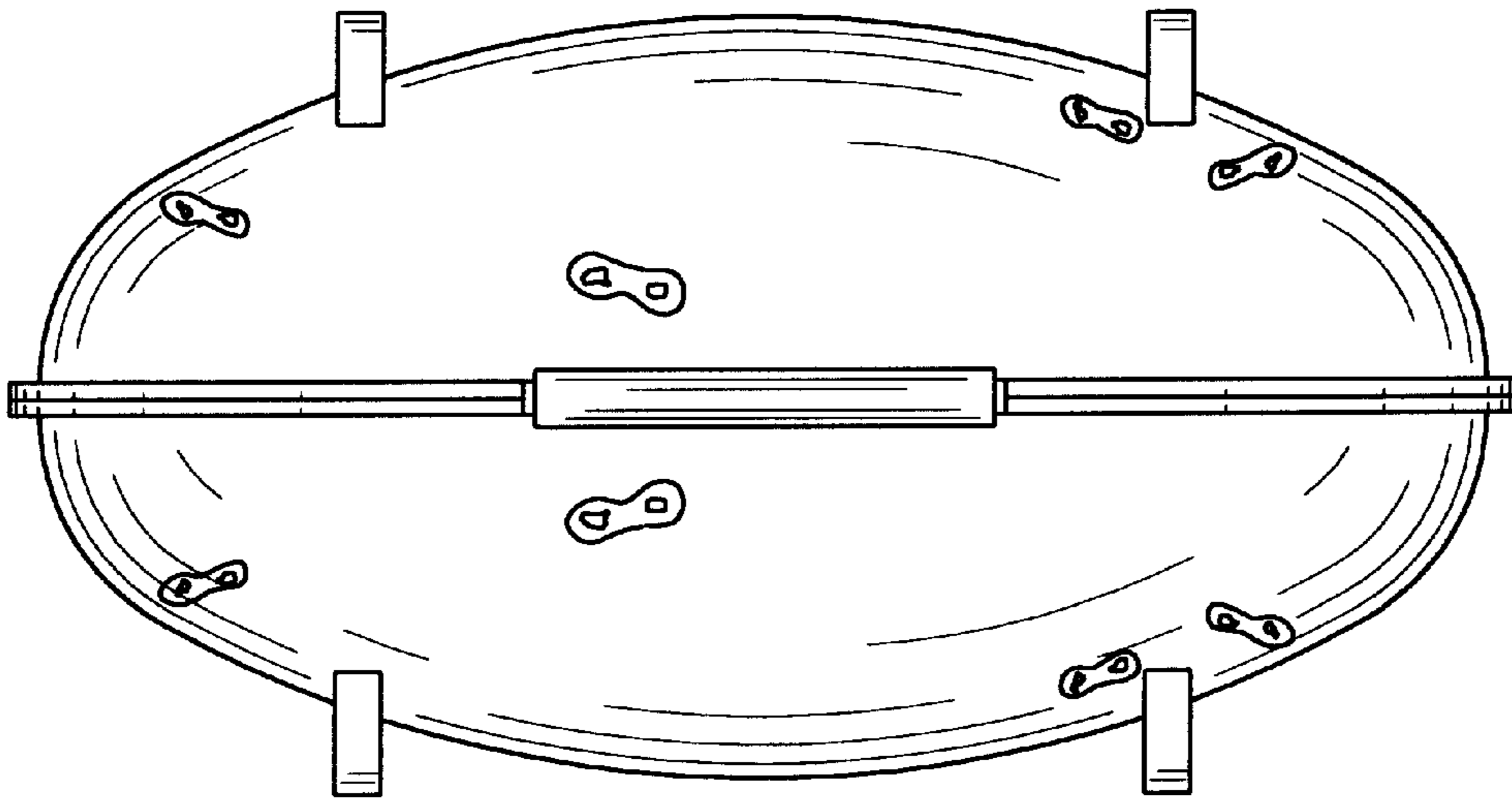




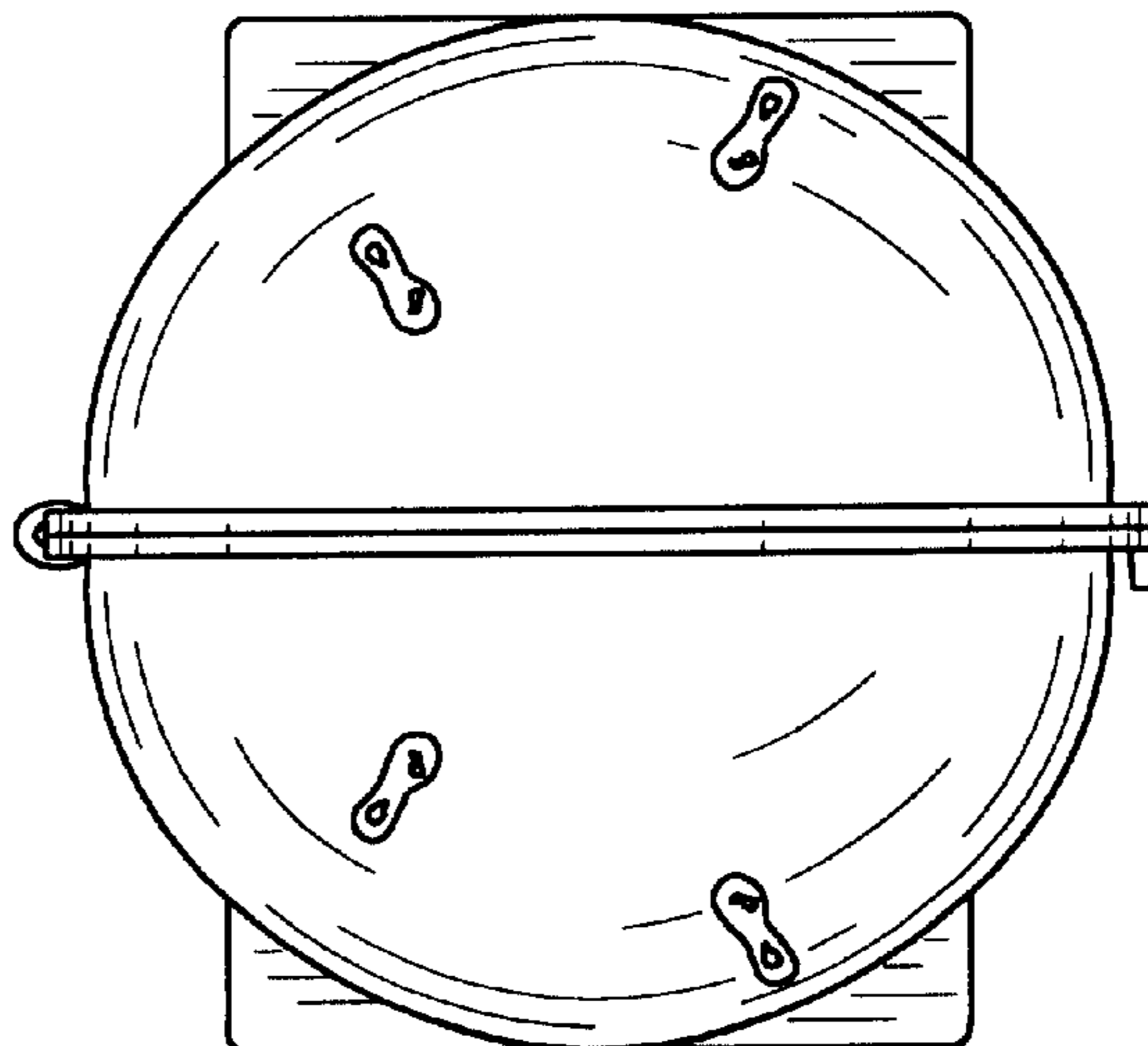
*Fig. 1*



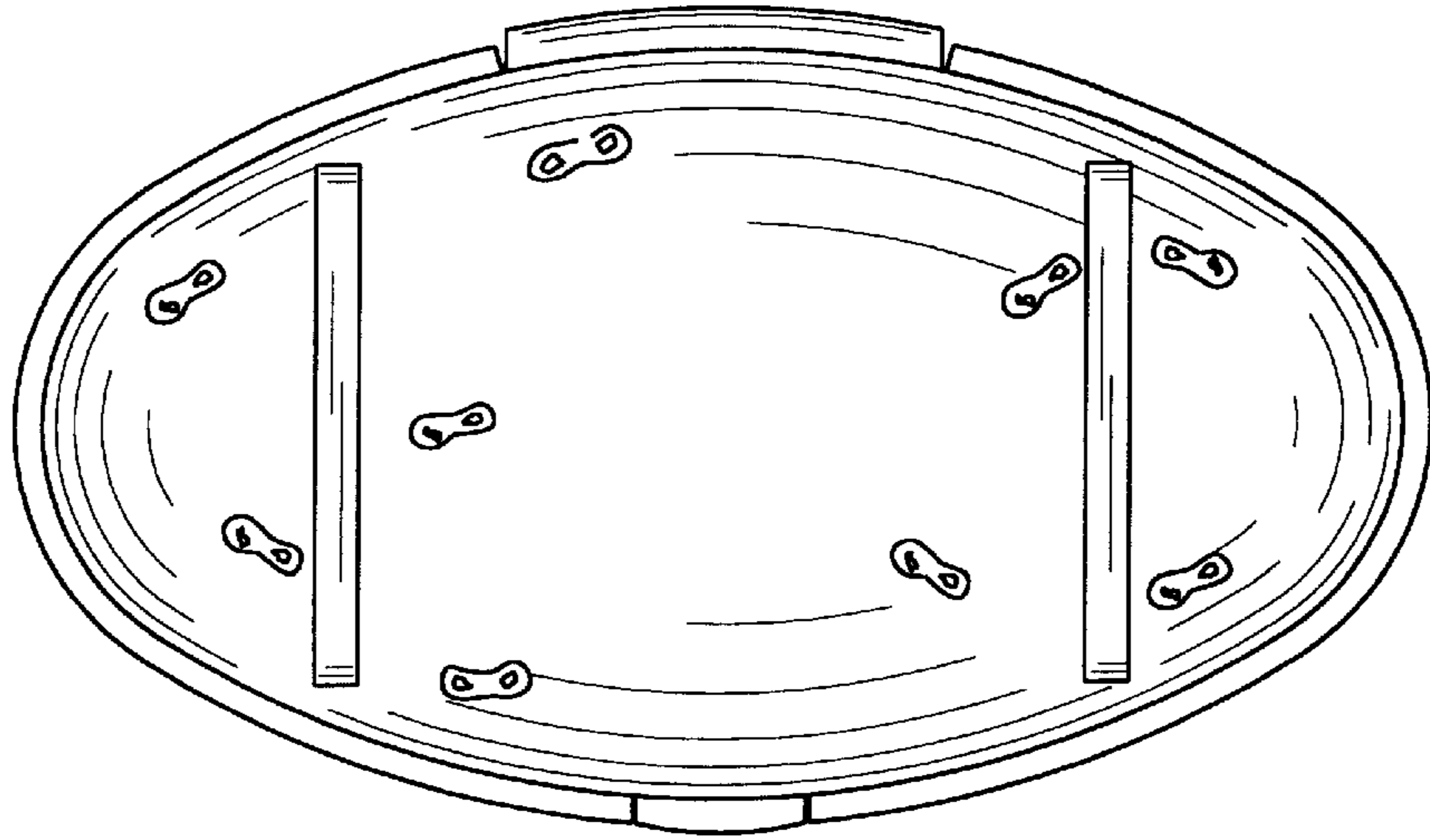
*Fig. 2*



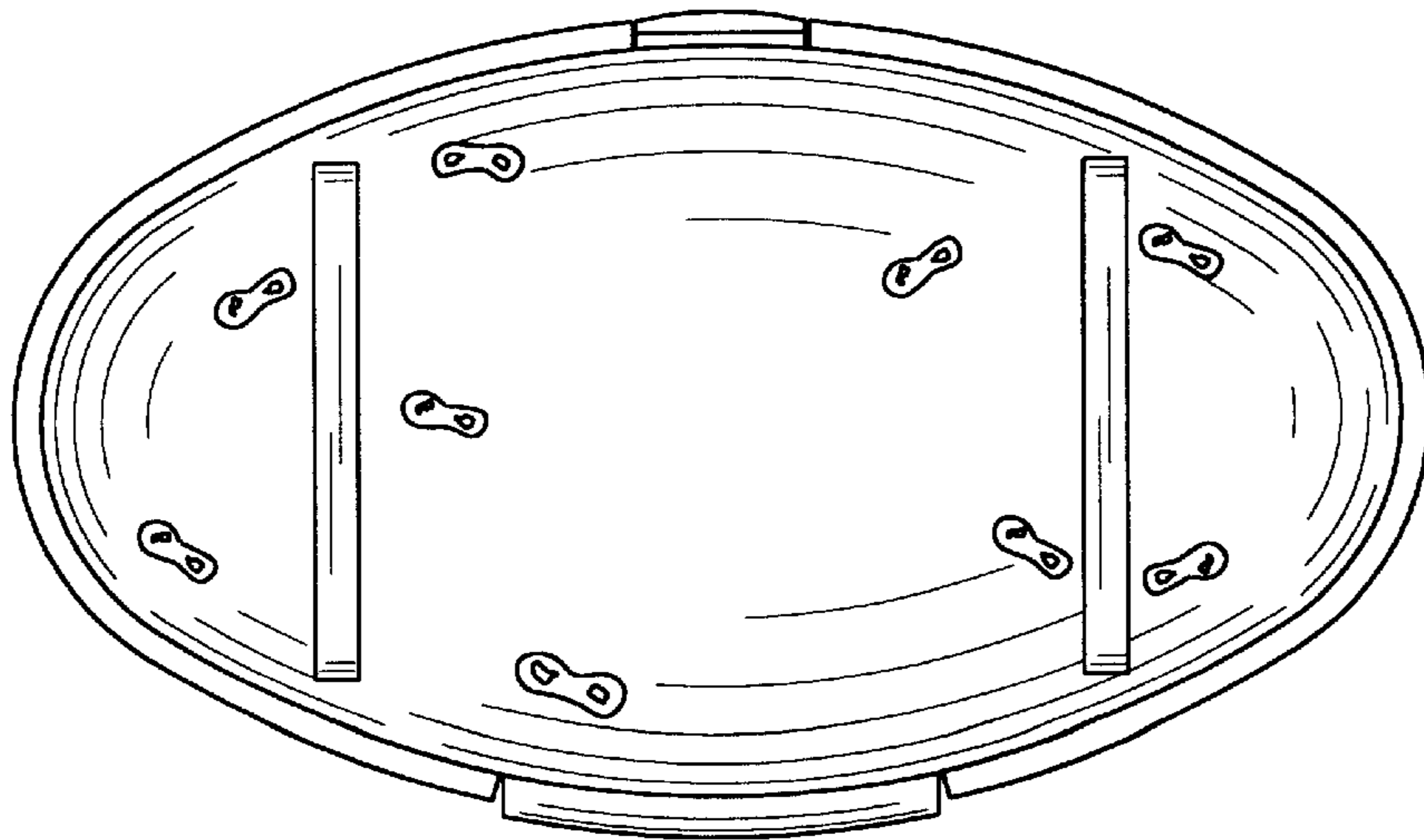
*Fig. 3*



*Fig. 4*



*Fig. 5*



*Fig. 6*