



US00D440110S

(12) **United States Design Patent**
Tanner et al.

(10) **Patent No.:** **US D440,110 S**

(45) **Date of Patent:** **** Apr. 10, 2001**

(54) **WATER PURIFICATION PITCHER**

(75) Inventors: **John D. Tanner; David J. Emmons**, both of Plymouth; **Brian D. Gale**, Fridley; **Johannes N. Gaston; Douglas J. Vanorum**, both of Minnetonka, all of MN (US)

(73) Assignee: **Recovery Engineering, Inc.**, Minneapolis, MN (US)

(**) Term: **14 Years**

(21) Appl. No.: **29/120,930**

(22) Filed: **Mar. 29, 2000**

(51) **LOC (7) Cl.** **07-01**

(52) **U.S. Cl.** **D7/319; D7/317**

(58) **Field of Search** D7/319, 318, 317, D7/312, 314, 321, 322, 590, 600; 99/295, 279; 210/232, 474, 470, 282; 222/454, 465.1, 469; D23/209

(56) **References Cited**

U.S. PATENT DOCUMENTS

D. 313,726	*	1/1991	Scherer	D7/317
D. 331,446		12/1992	Gidman	.	
D. 335,608		5/1993	Arnold	.	
D. 336,760		6/1993	Raunkjaer	.	
D. 360,334		7/1995	Garza, Jr.	.	
D. 386,041	*	11/1997	Tanner et al.	D7/319
D. 388,654	*	1/1998	Bouhuys	D7/319
D. 388,655	*	1/1998	Flom et al.	D7/319
D. 389,004	*	1/1998	Hampshire et al.	D7/319
D. 389,007	*	1/1998	Bouhuys	D7/319
D. 415,922	*	11/1999	Kawasaki et al.	D7/317
D. 419,027	*	1/2000	Haslem et al.	D7/319

(List continued on next page.)

OTHER PUBLICATIONS

Color Copies of Photos of BRITA Water Filtration Pitcher.
Color Copies of Photos of BRITA Contour Water Filtration Pitcher.

Color Copies of Photos of BRITA Ultra II Water Filtration Pitcher.

Color Copies of Photos of BRITA Space Saver Water Filtration Pitcher.

Color Copies of Photos of SOLIS AQUASELECT Water Filtration Pitcher.

Color Copies of Photos of SEARS WaterWorks Water Filter Pitcher.

Color Copies of Photos of BRITA Cascade Water Filtration Pitcher.

Color Copies of Photos of BRITA Deluxe II Water Filtration Pitcher.

Color Copies of Photos of BRITA Space Saver Model Water Filtration Pitcher.

Color Copies of Photos of Culinare Water Filtration Pitcher.

Color Copies of Photos of Culligan/Health o meter Round Water Filtration Pitcher.

Color Copies of Photos of Culligan/Health o meter Oval Water Filtration Pitcher.

Primary Examiner—M. N. Pandozzi

(74) *Attorney, Agent, or Firm*—Merchant & Gould P.C.

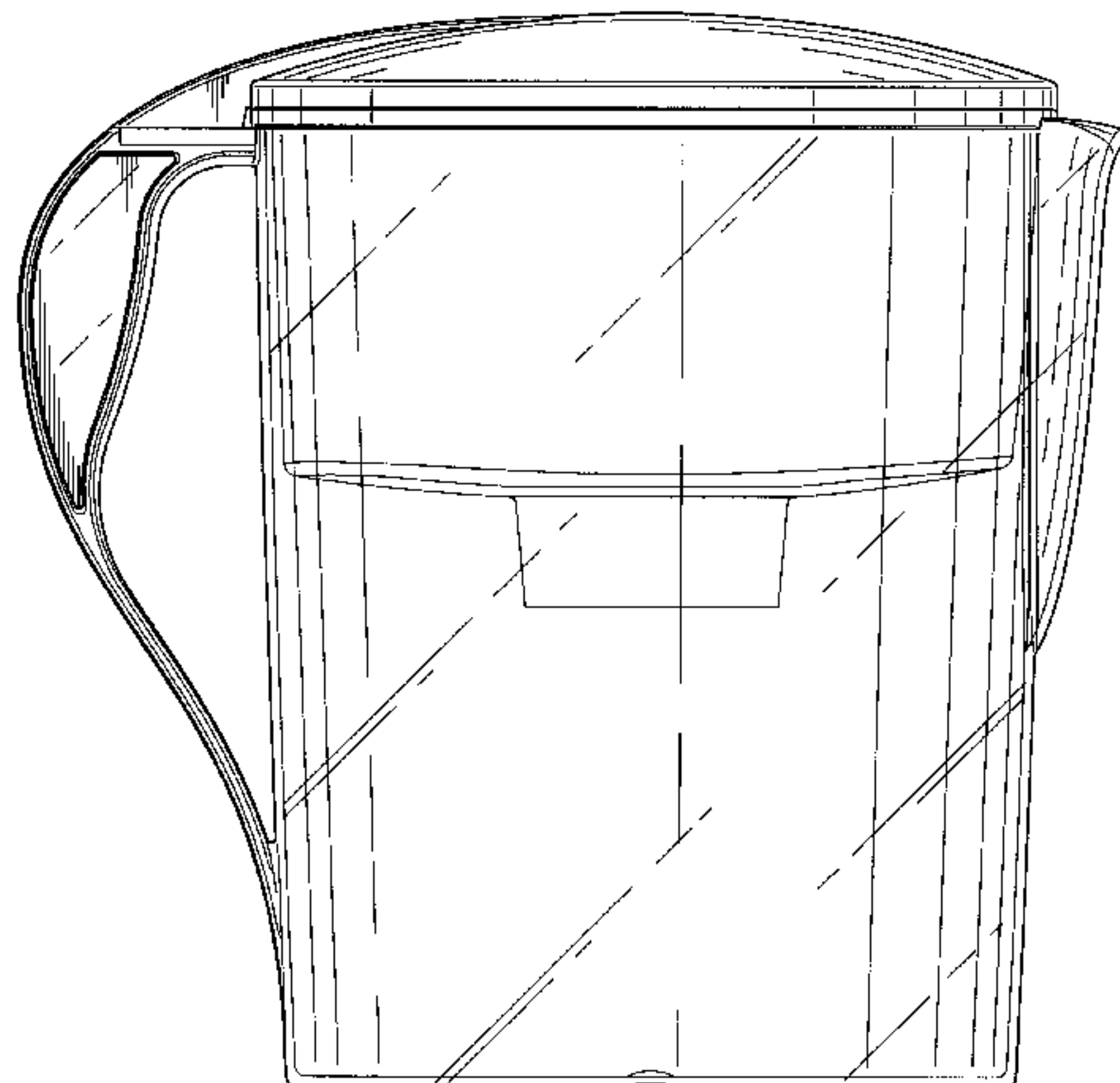
(57) **CLAIM**

The ornamental design for water purification pitcher, as shown and described.

DESCRIPTION

FIG. 1 is a perspective view of a water purification pitcher showing our new design;
FIG. 2 is a left side view thereof;
FIG. 3 is a right side view thereof;
FIG. 4 is a front view thereof;
FIG. 5 is a back view thereof;
FIG. 6 is a top view thereof;
FIG. 7 is a bottom view thereof;
FIG. 8 is a perspective view of a water purification pitcher showing our new design, including a pour tray;
FIG. 9 is a left side view thereof;
FIG. 10 is a right side view thereof;
FIG. 11 is a front view thereof;
FIG. 12 is a back view thereof;
FIG. 13 is a top view thereof; and,
FIG. 14 is a bottom view thereof.

1 Claim, 14 Drawing Sheets



US D440,110 S

Page 2

U.S. PATENT DOCUMENTS			
		4,895,648	1/1990 Hankammer .
		4,969,996	11/1990 Hankammer .
D. 421,361 *	3/2000 Coulson et al.	5,009,364	4/1991 Bolte .
	D7/319	5,190,643	3/1993 Duncan et al. .
D. 430,449 *	9/2000 Yeh	5,536,394	7/1996 Lund et al. .
	D7/319		
2,805,561	9/1957 Emmert et al. .		
3,861,565	1/1975 Rickmeier, Jr. .		
4,623,457	11/1986 Hankammer .		
4,653,671	3/1987 Duffy et al. .		

* cited by examiner

FIG. 1

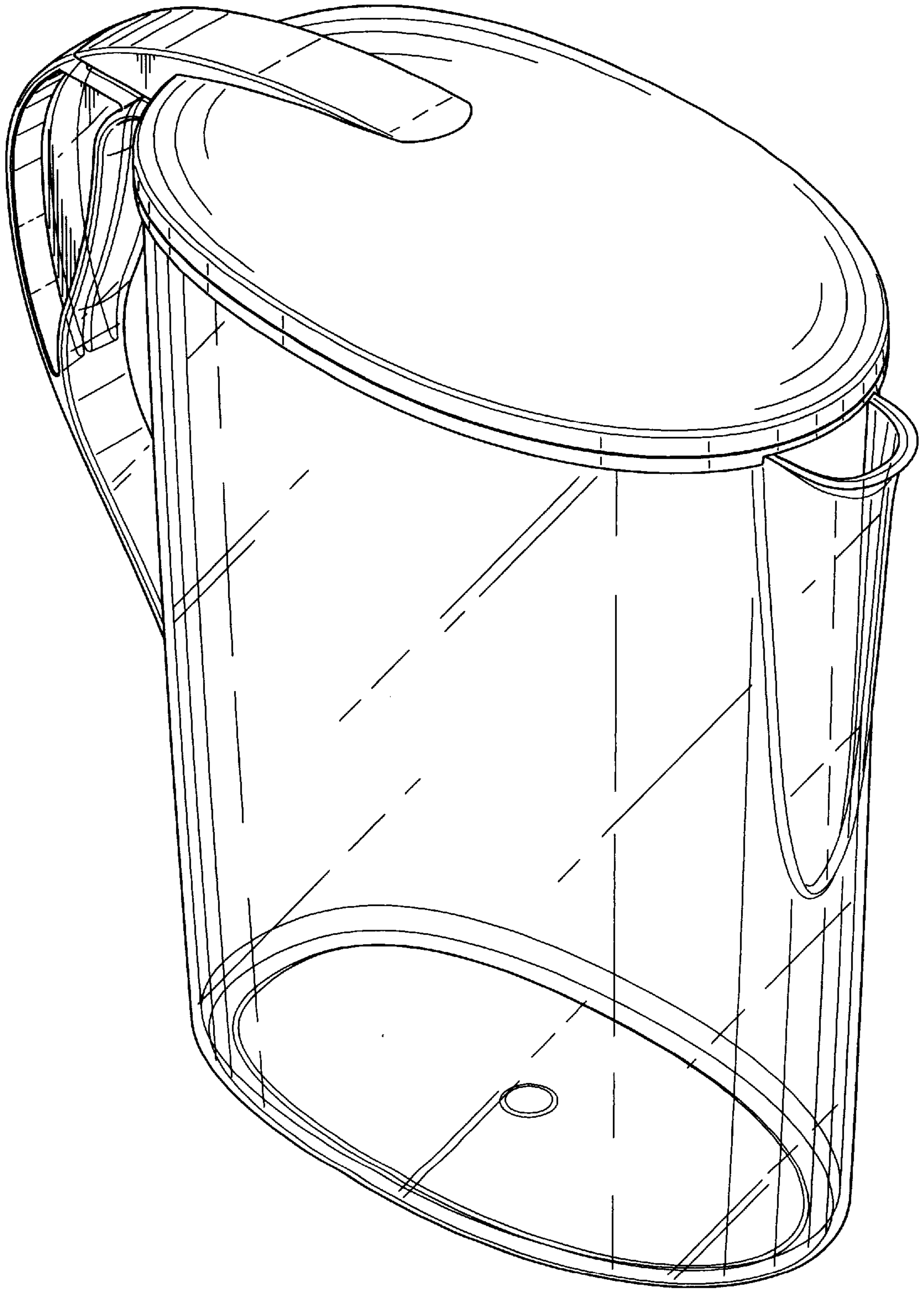


FIG. 2

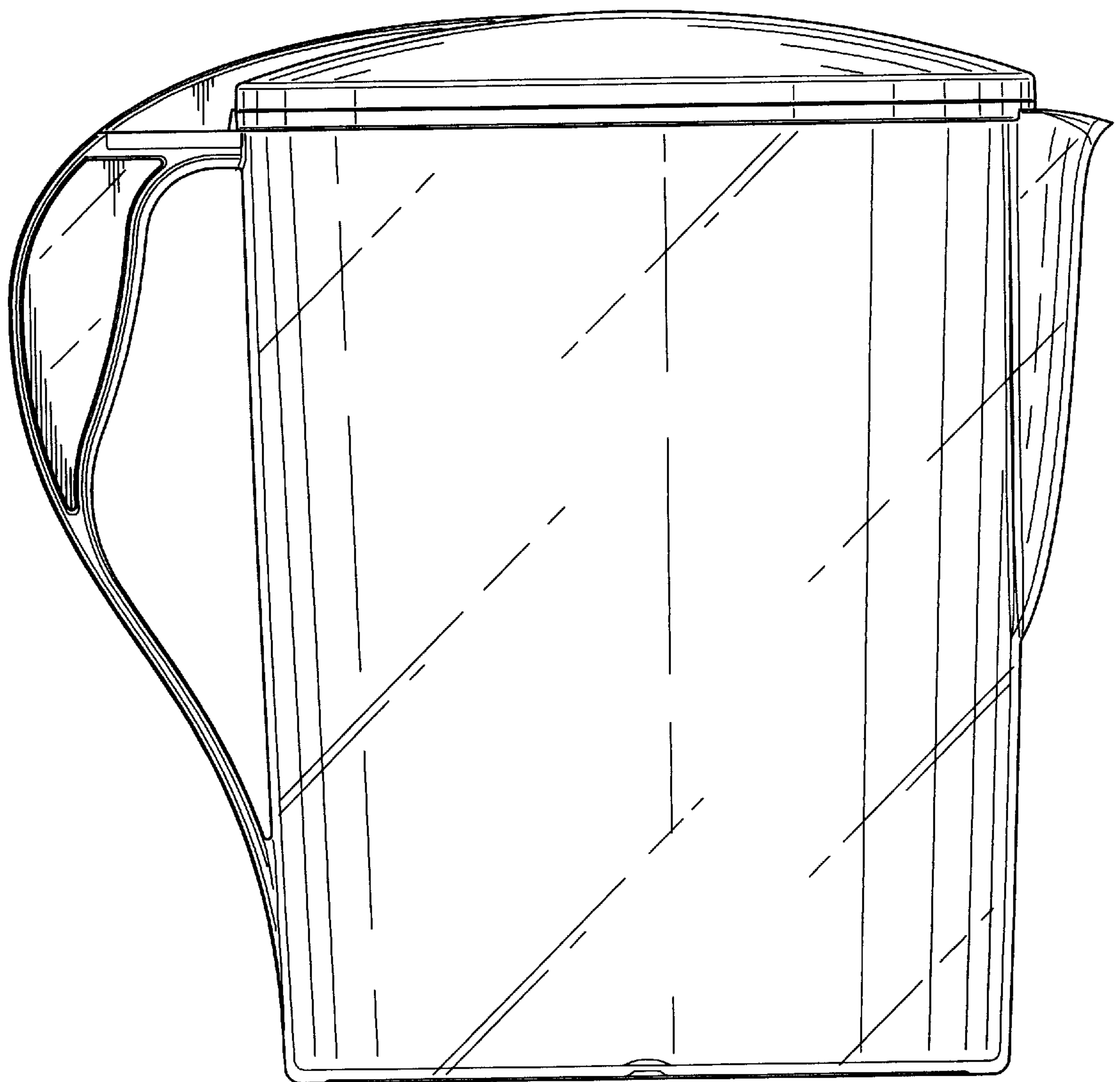


FIG. 3

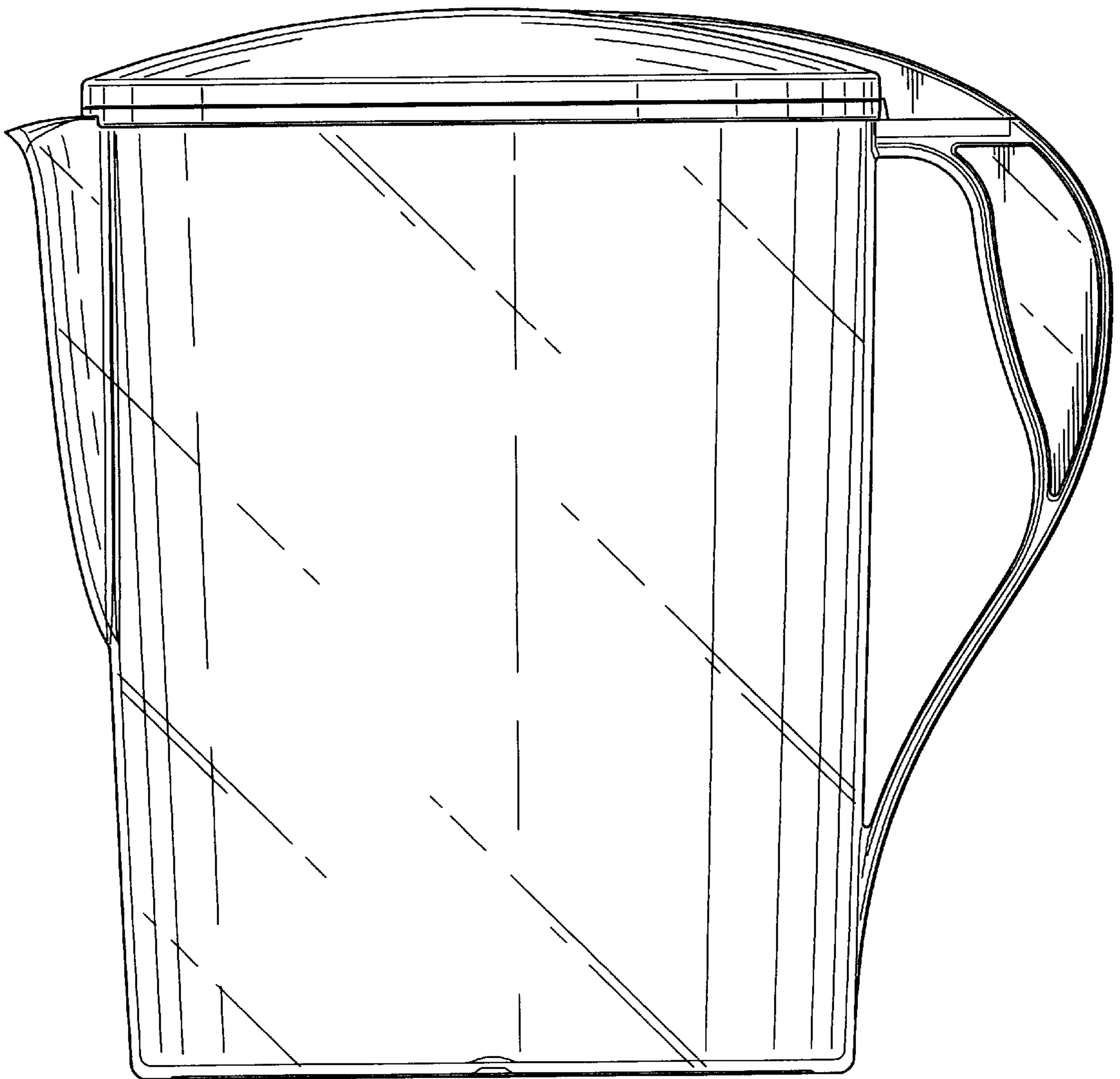


FIG. 4

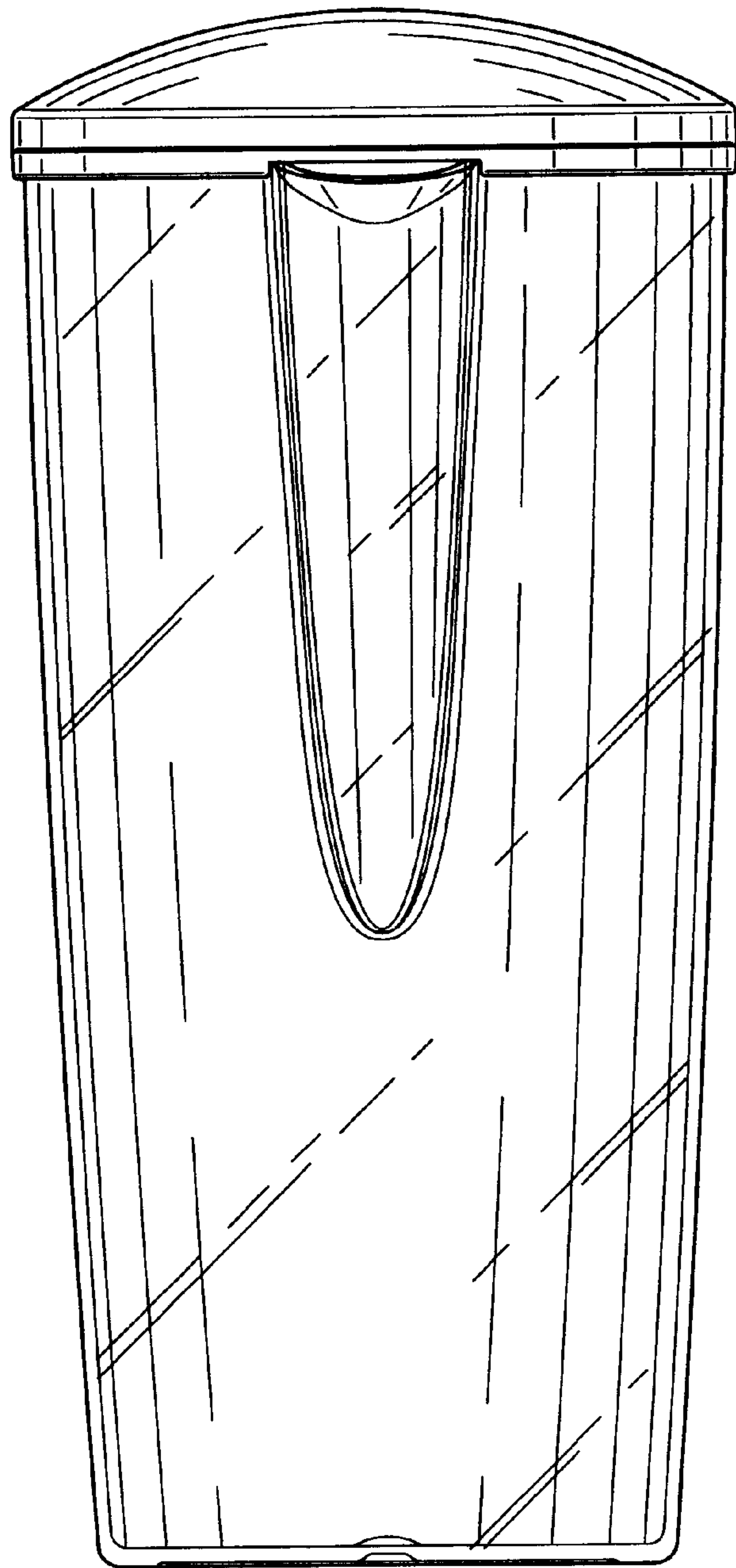


FIG. 5

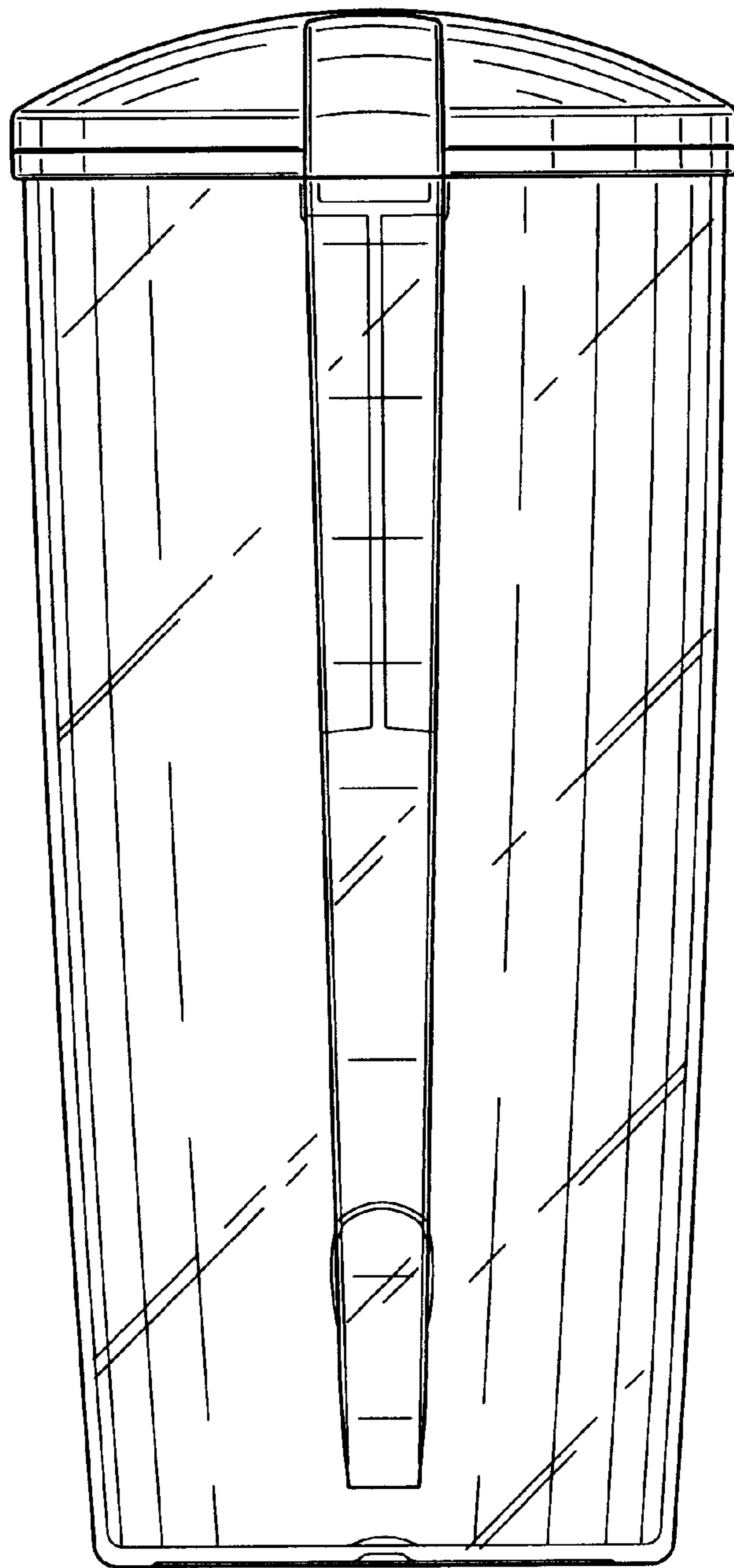


FIG. 6

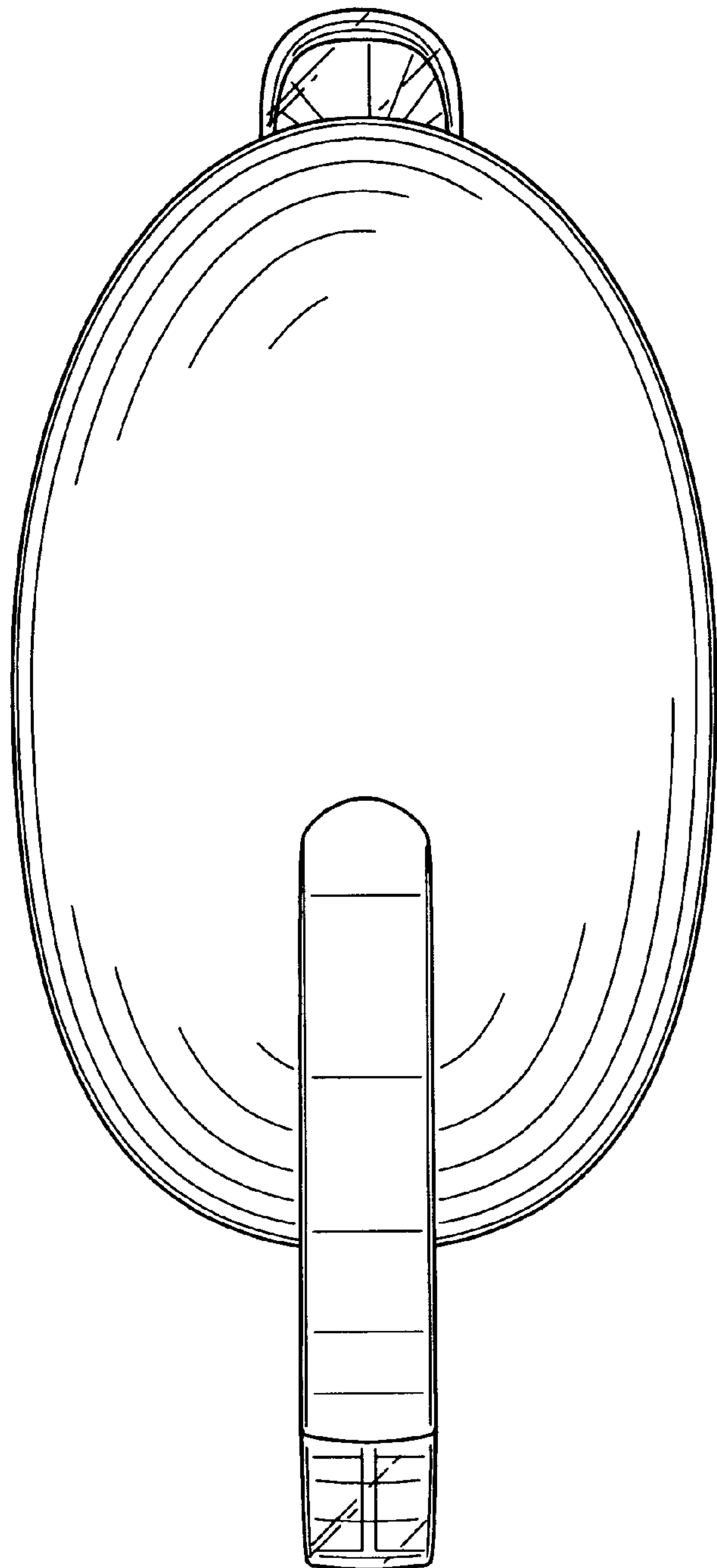


FIG. 7

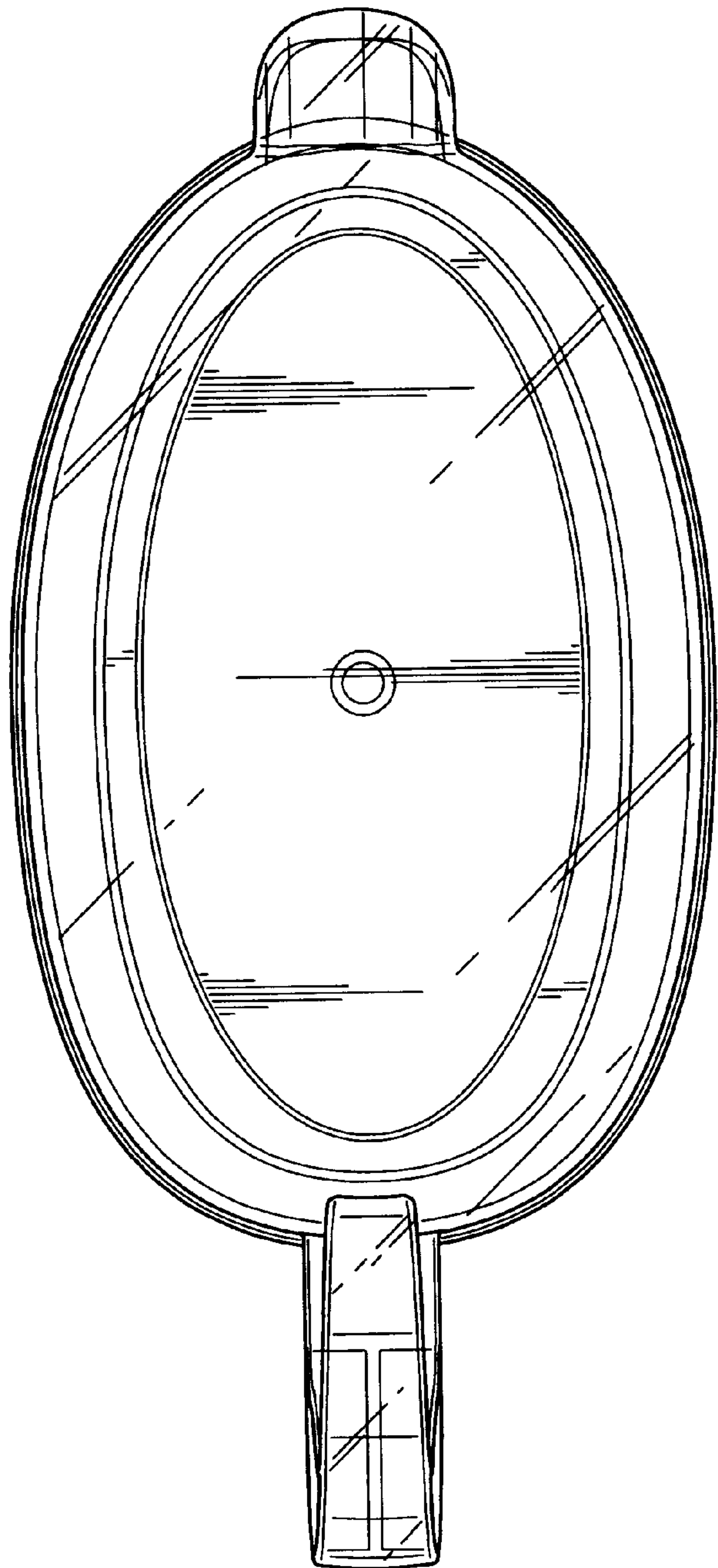


FIG. 8

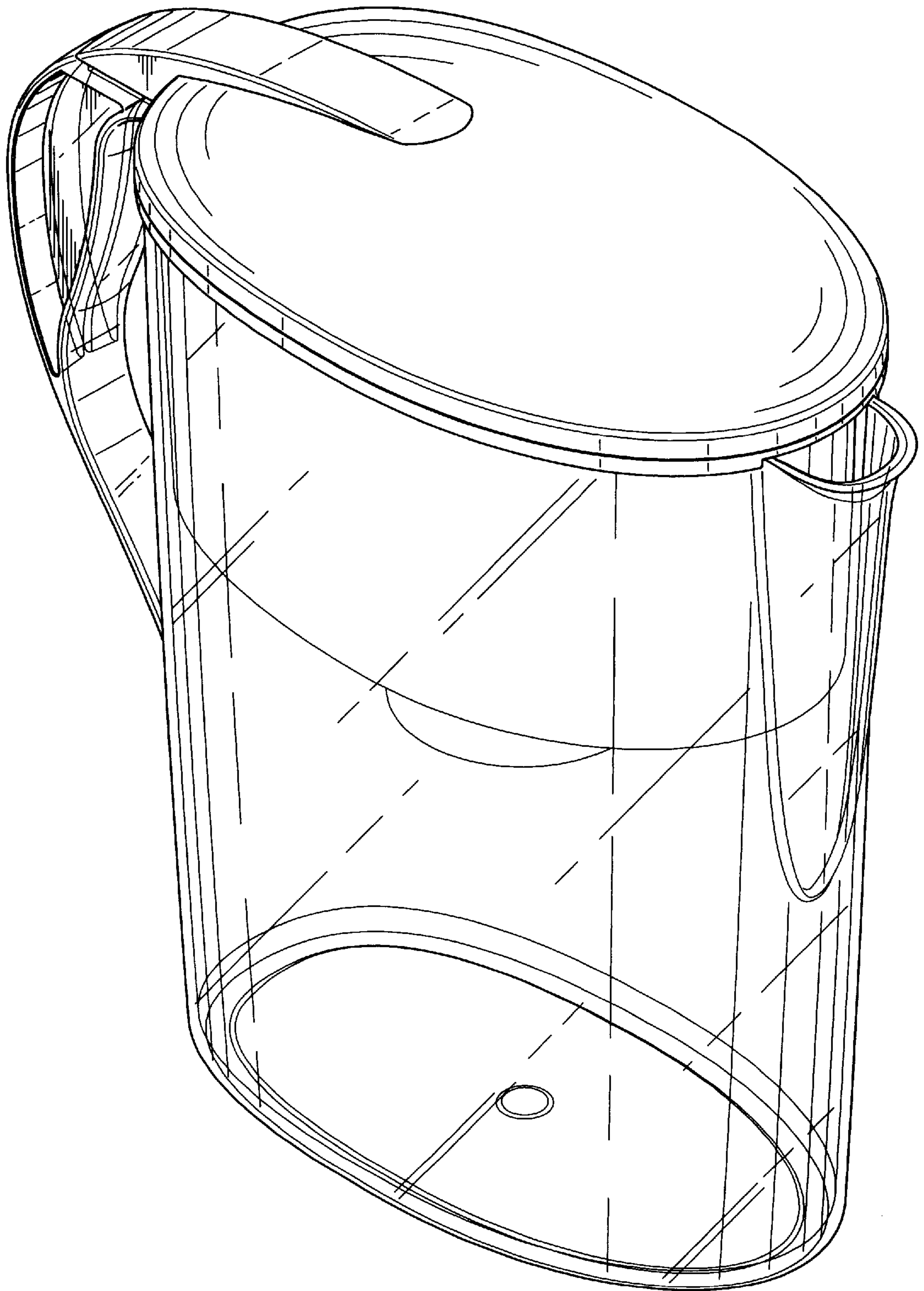


FIG. 9

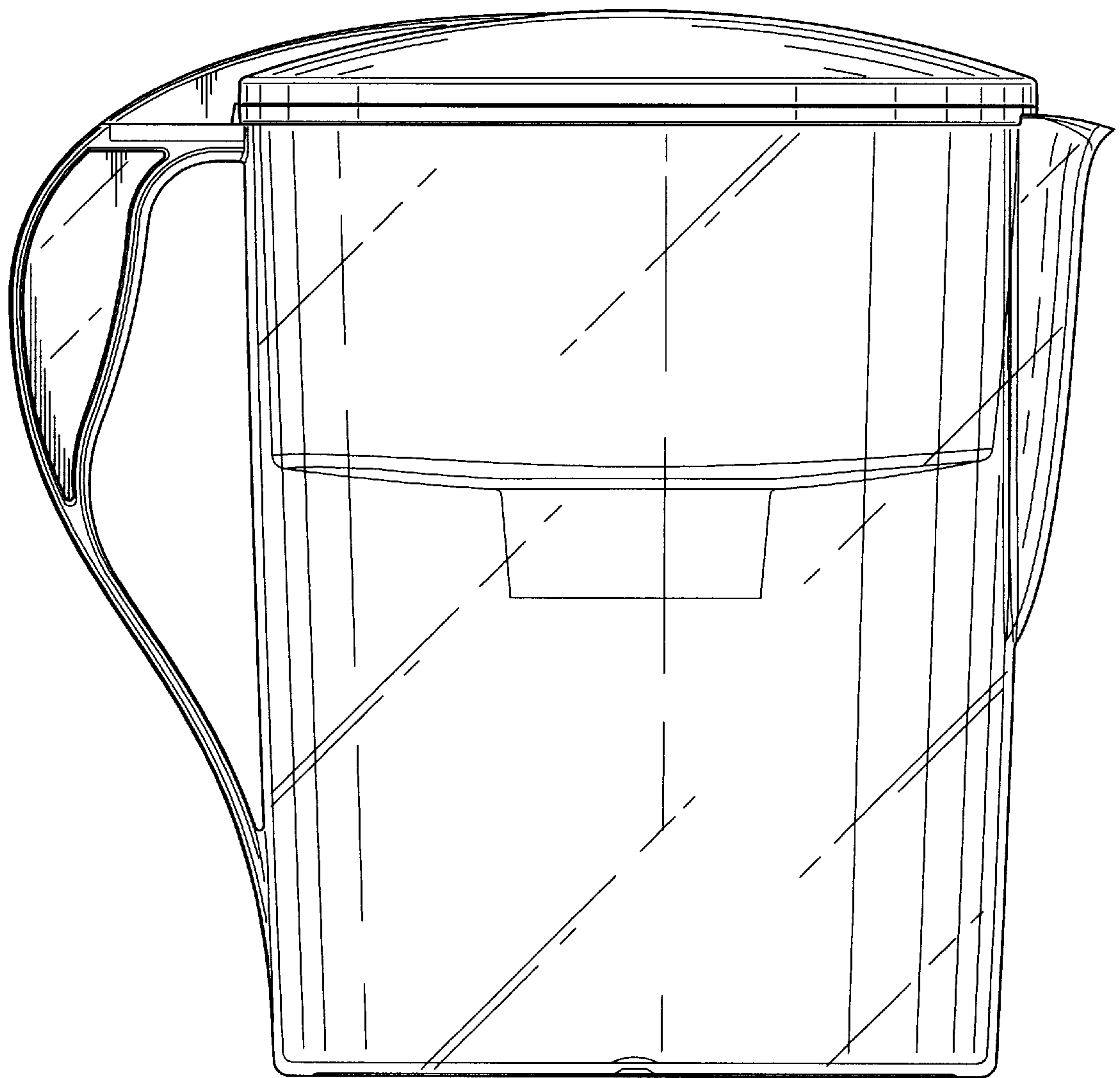


FIG. 10

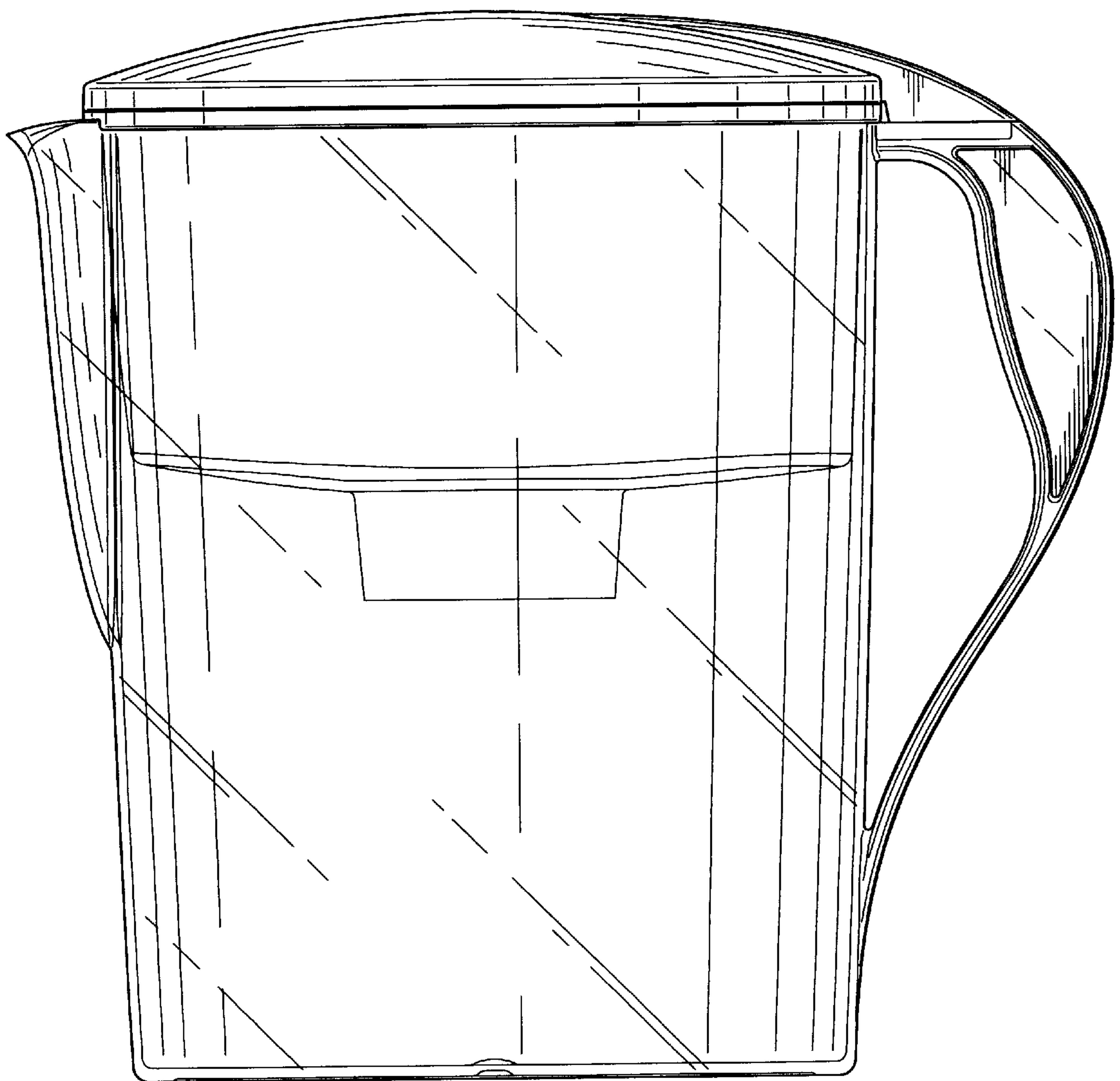


FIG. 11

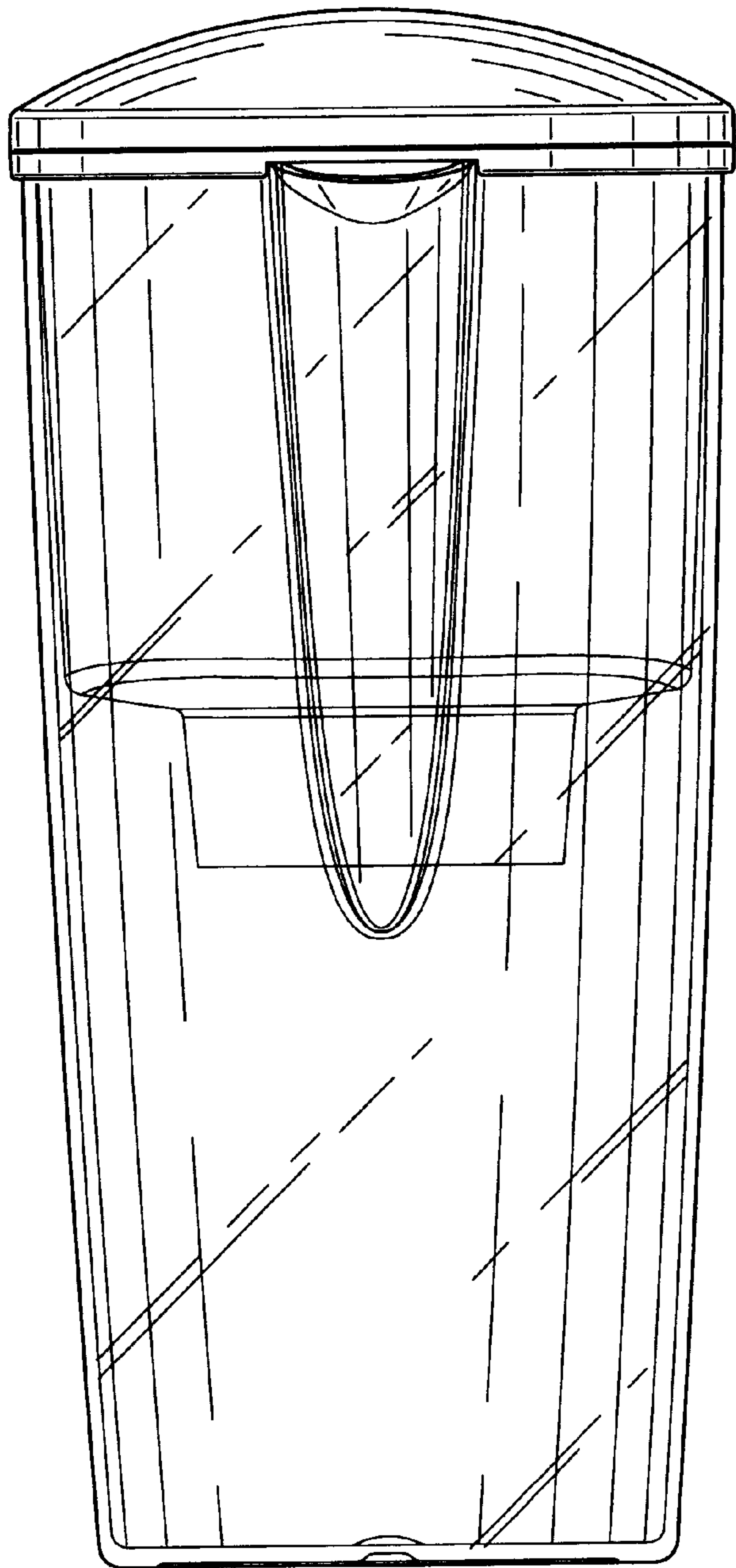


FIG. 12

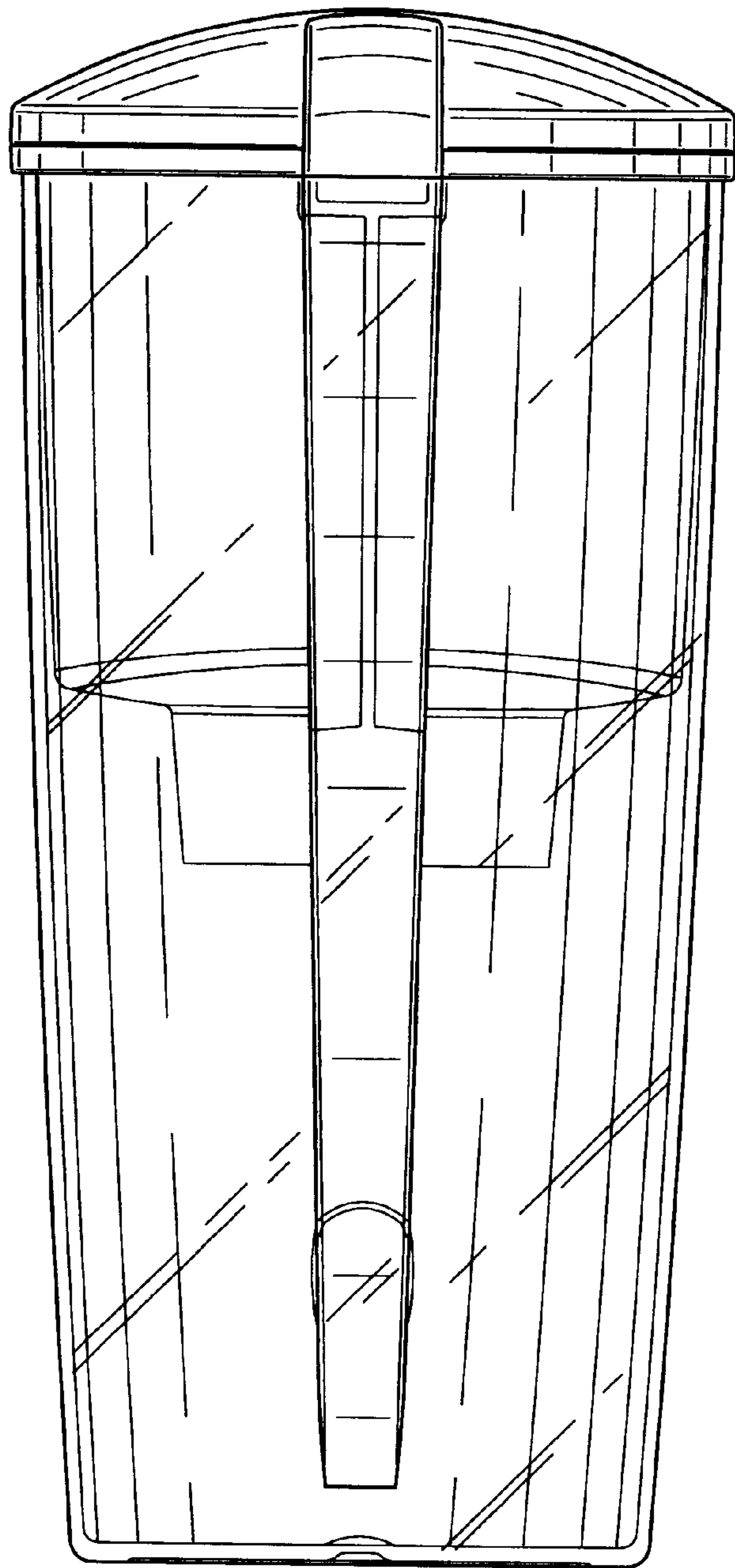


FIG. 13

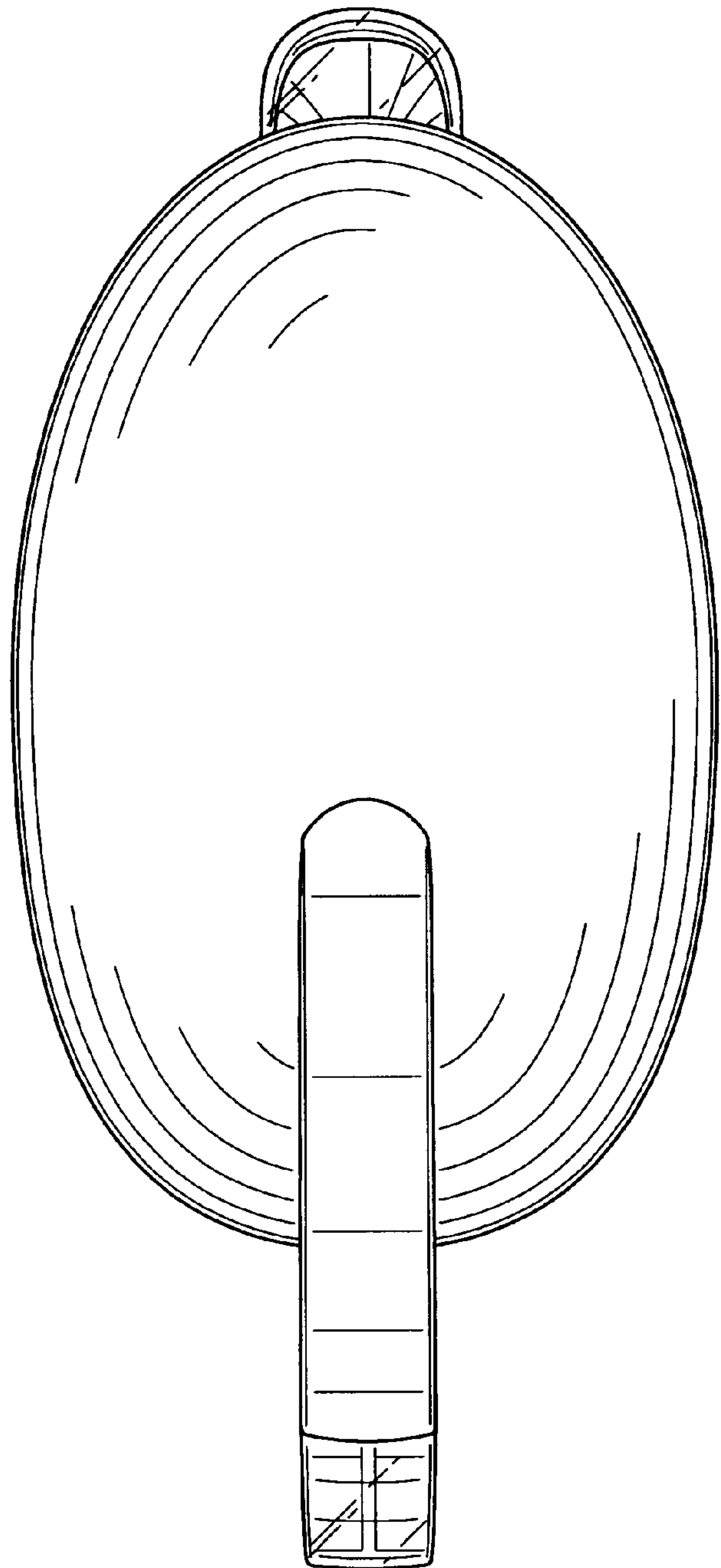


FIG. 14

