



US00D440109S

(12) **United States Design Patent**
Anton et al.

(10) **Patent No.: US D440,109 S**

(45) **Date of Patent: ** Apr. 10, 2001**

(54) **BEVERAGE DISPENSER**

(75) Inventors: **Laura G. Anton**, Roswell; **Andrea P. Freeman**; **Barbara M. Gann**, both of Atlanta; **John Hurst**, Roswell; **Lynwood Mallard**, Atlanta; **Tom McLean**, Atlanta; **Tracy Peters**, Atlanta; **Elizabeth Smith**, Decatur; **Richard C. Staten**, Atlanta, all of GA (US); **Scott R. Mallwitz**, Chicago, IL (US); **George H. Ladyman, Jr.**, Skillman; **Jeffery A. Minton**, Lawrenceville, both of NJ (US); **Darren R. Vickery**, Yardley, PA (US); **Kimberly L. Nystrom**, Lawrenceville, NJ (US)

(73) Assignee: **The Coca-Cola Company**, Atlanta, GA (US)

(**) Term: **14 Years**

(21) Appl. No.: **29/123,179**

(22) Filed: **May 12, 2000**

(51) **LOC (7) Cl. 07-01**

(52) **U.S. Cl. D7/307; D7/397; D7/308**

(58) **Field of Search D7/307, 308, 300, D7/312, 315, 313, 306, 589, 397, 398; 99/307, 285, 315; 222/183, 135, 144.5, 146.6; 62/392**

(56) **References Cited**

U.S. PATENT DOCUMENTS

D. 187,413	*	3/1960	Marsh et al.	D7/308
D. 258,658	*	3/1981	Hill	D7/306
D. 356,713	*	3/1995	Groover	D7/306
D. 359,412		6/1995	Minh	D7/307
D. 368,617		4/1996	Jackson et al.	D7/308
D. 379,284		5/1997	Credle, Jr.	D7/301
D. 380,641	*	7/1997	Randle	D7/313

D. 391,114		2/1998	Vinson et al.	D7/392
D. 395,206	*	6/1998	Romero et al.	D7/589
D. 431,145	*	9/2000	Woebcke et al.	D7/306
2,748,689	*	6/1956	Rotman	99/315
3,060,702	*	10/1962	Price, Jr.	62/392
3,087,415	*	4/1963	Kaplan	99/281
4,834,250	*	5/1989	Dumbeck et al.	D7/306 X
5,564,602		10/1996	Cleland et al.	222/146.6
5,575,405		11/1996	Stratton et al.	222/1
5,607,211		3/1997	Henninger et al.	312/204
5,617,736		4/1997	Ito et al.	62/393
5,752,624		5/1998	Vinson et al.	222/78

* cited by examiner

Primary Examiner—M. N. Pandozzi

(74) *Attorney, Agent, or Firm*—Michael V. Kruljac

(57) **CLAIM**

We claim the ornamental design for a beverage dispenser, as shown.

DESCRIPTION

FIG. 1 is a top front right side perspective view of a beverage dispenser showing our new design;

FIG. 2 is a front elevational view thereof;

FIG. 3 is a left side elevational view thereof;

FIG. 4 is a right side elevational view thereof;

FIG. 5 is a rear elevational view thereof; and,

FIG. 6 is a top plan view thereof;

FIG. 7 is a top, front, right side perspective view of a beverage dispenser showing a second embodiment of our new design;

FIG. 8 is a front elevational view thereof;

FIG. 9 is a left side elevational view thereof;

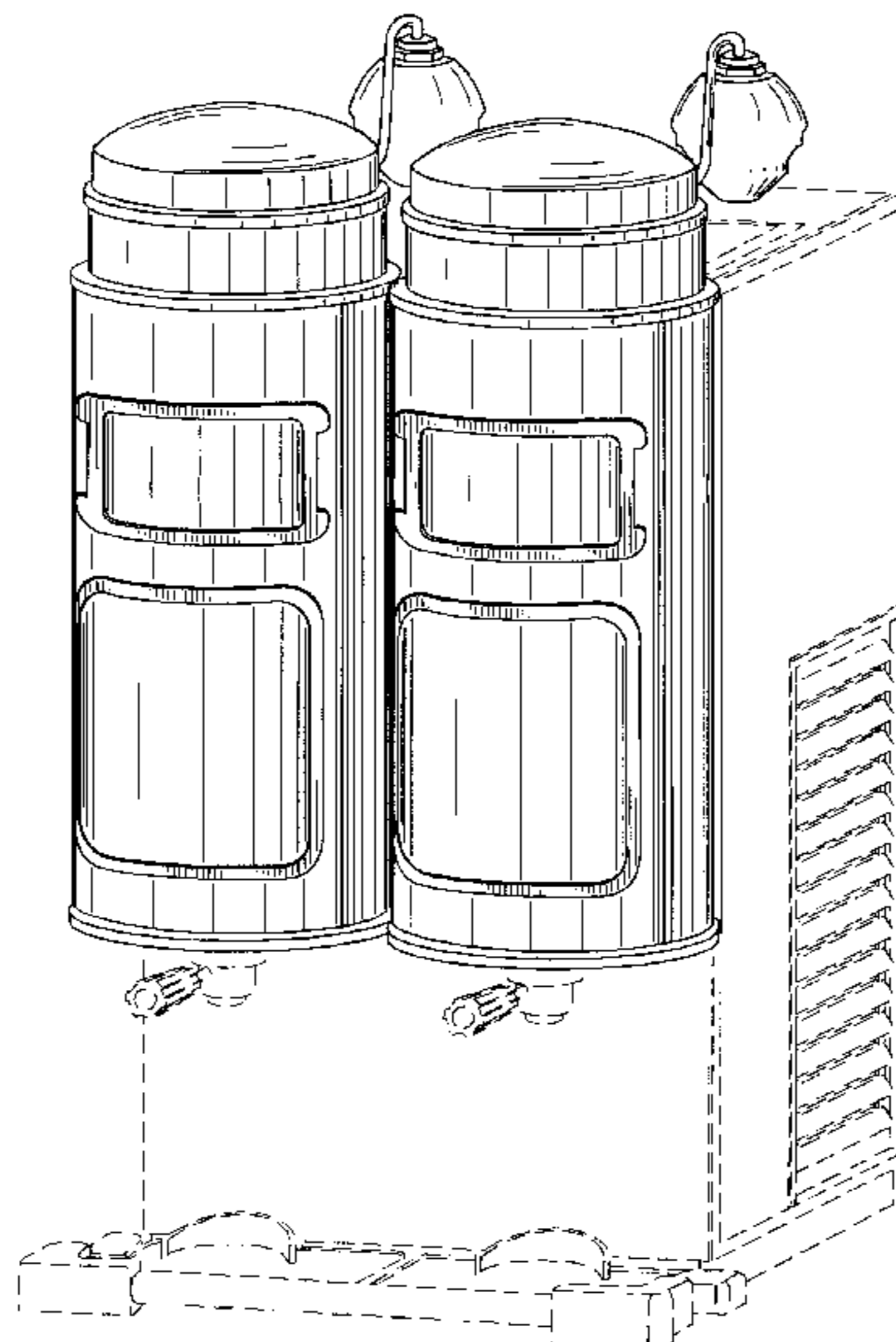
FIG. 10 is a right side elevational view thereof;

FIG. 11 is a rear elevational view thereof; and,

FIG. 12 is a top plan view thereof.

The broken lines in the drawings are for illustrative purposes only and form no part of the claimed design.

1 Claim, 12 Drawing Sheets



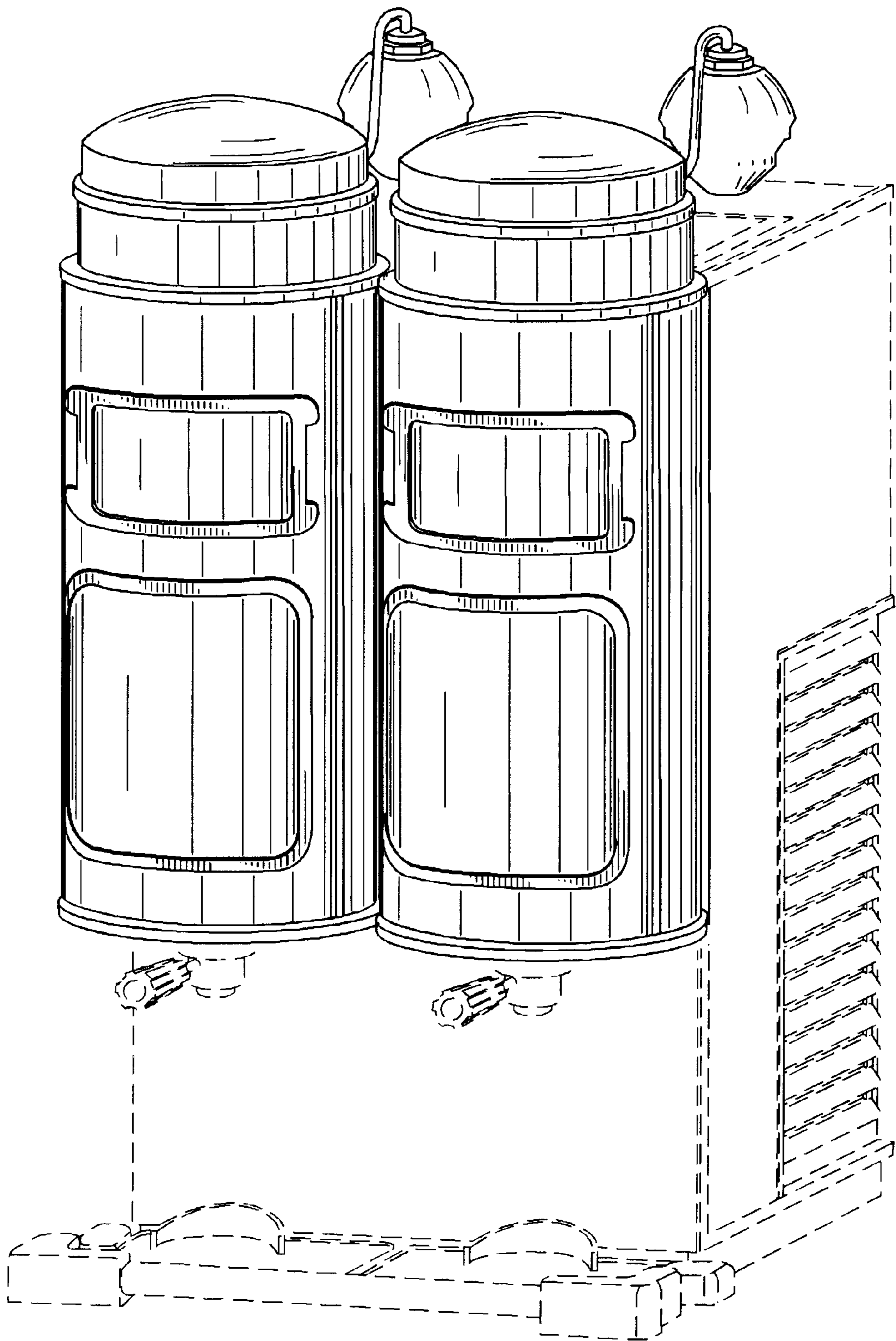


FIG. 1

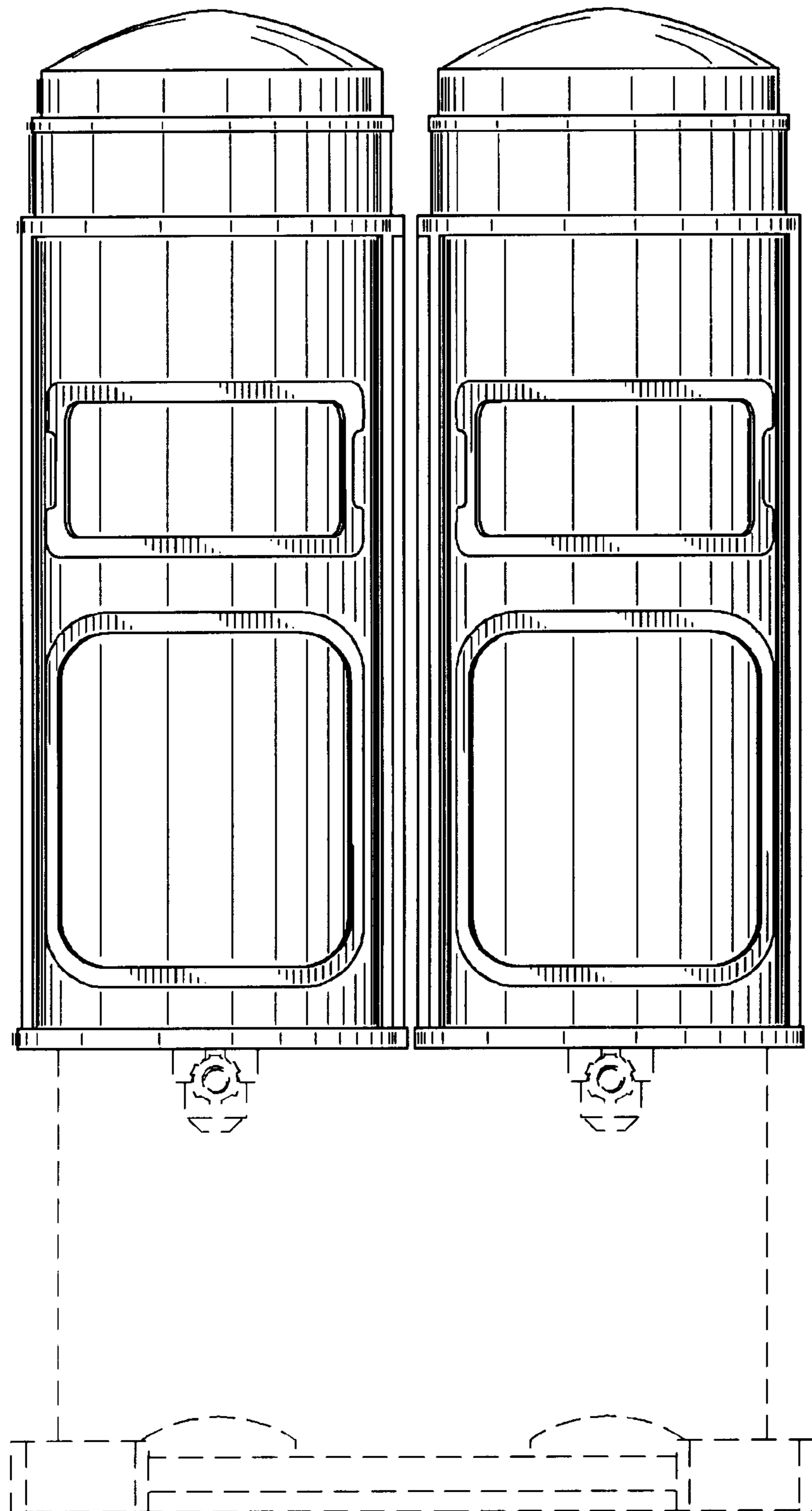


FIG. 2

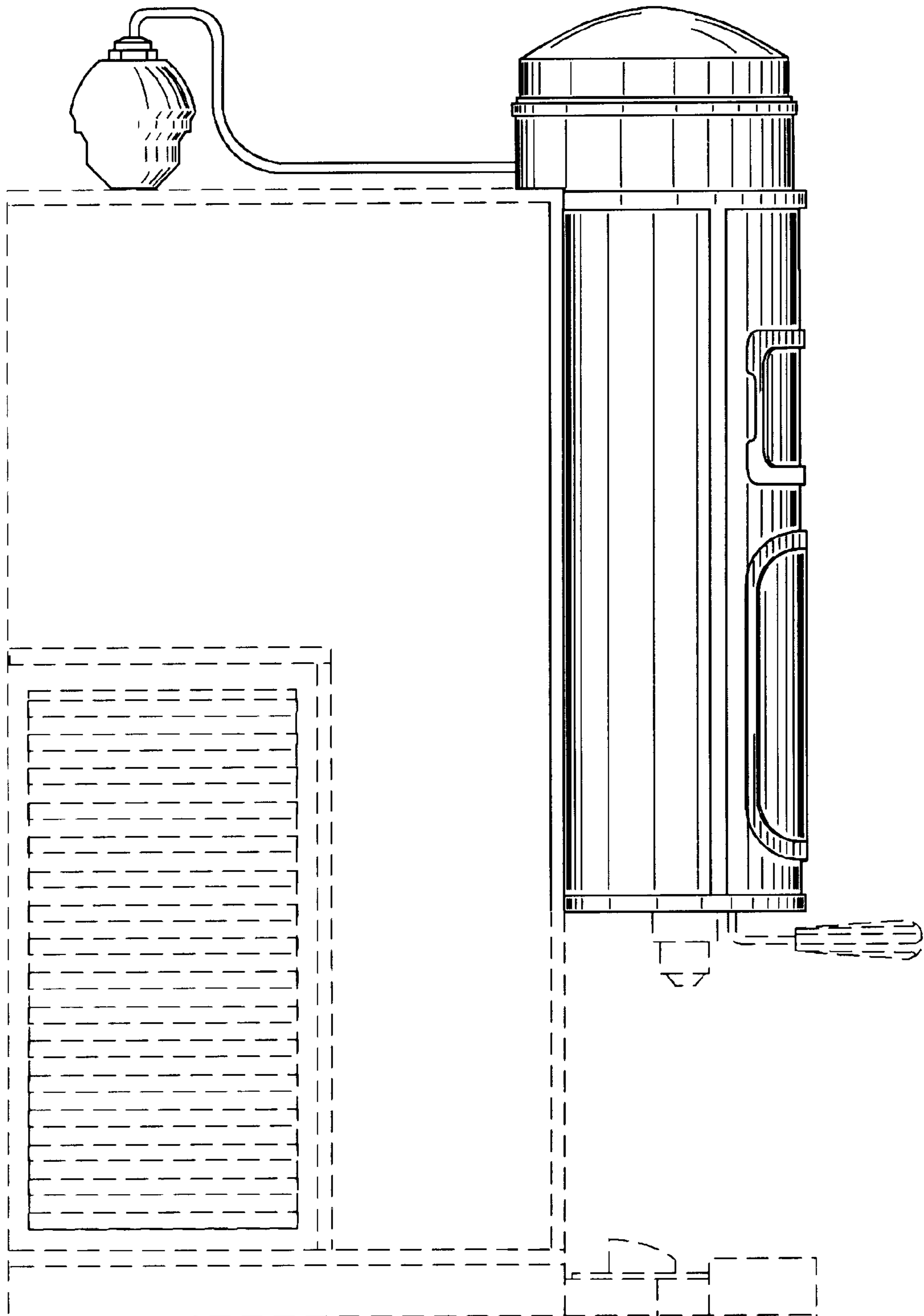


FIG. 3

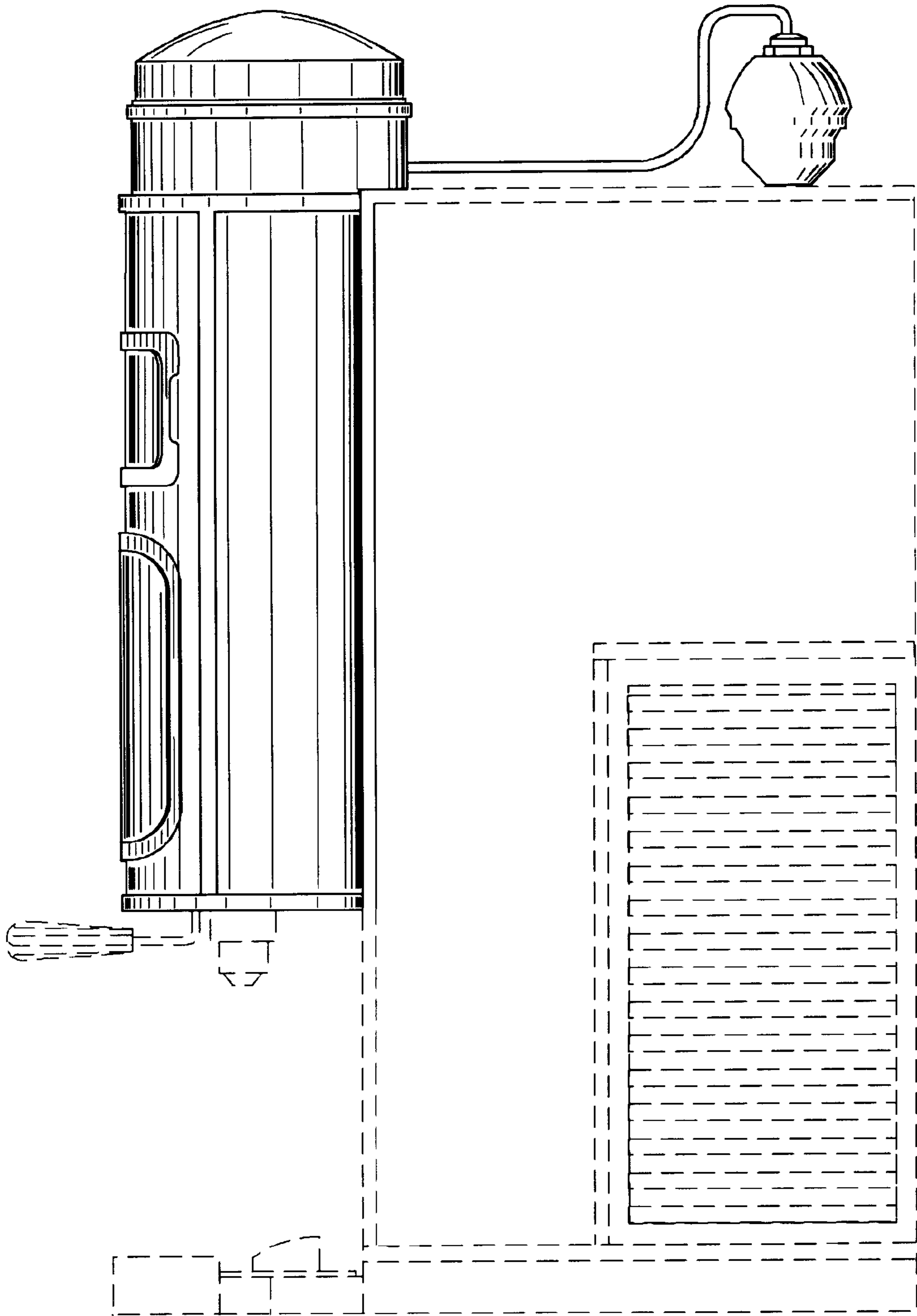


FIG. 4

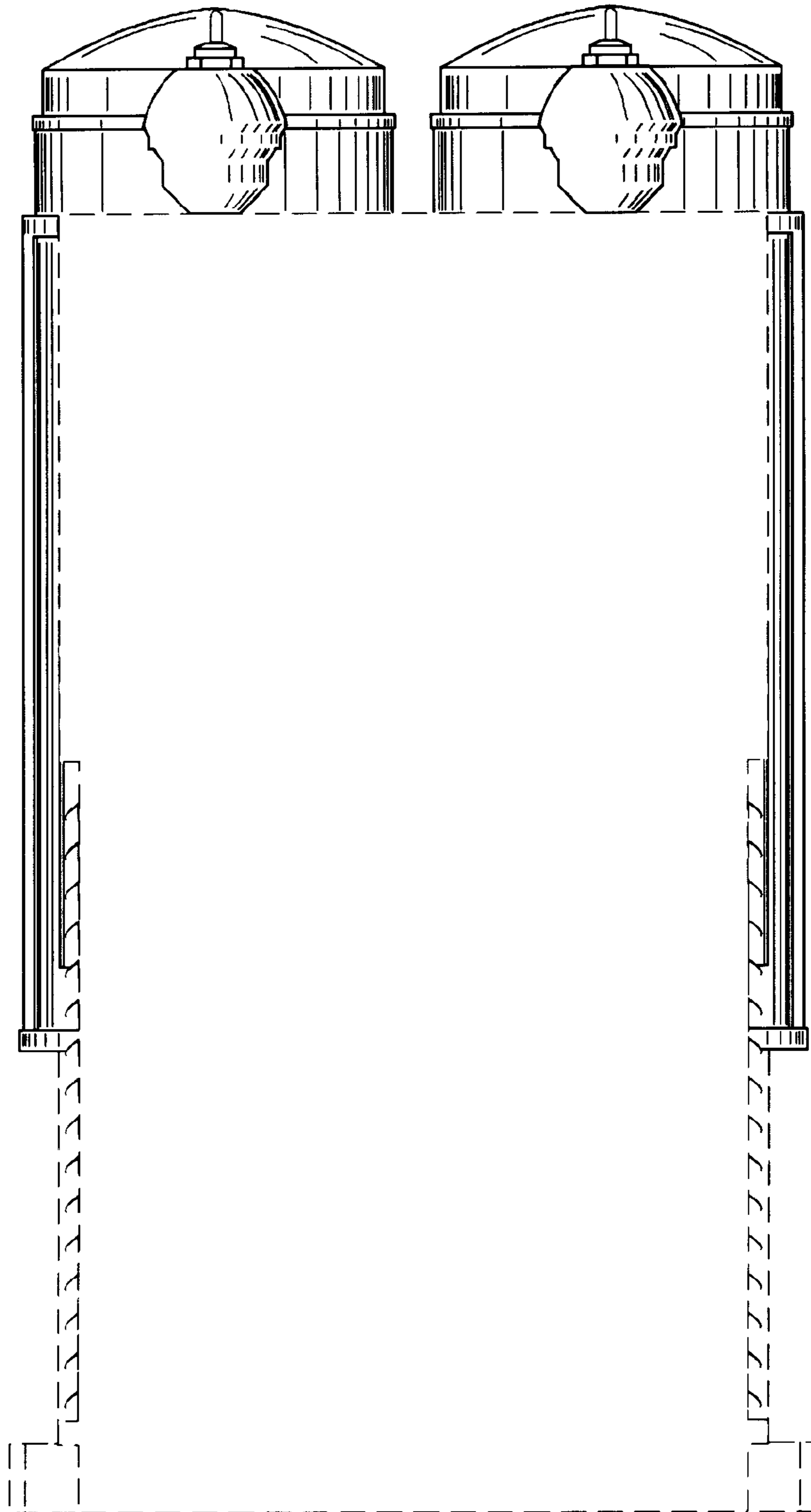


FIG. 5

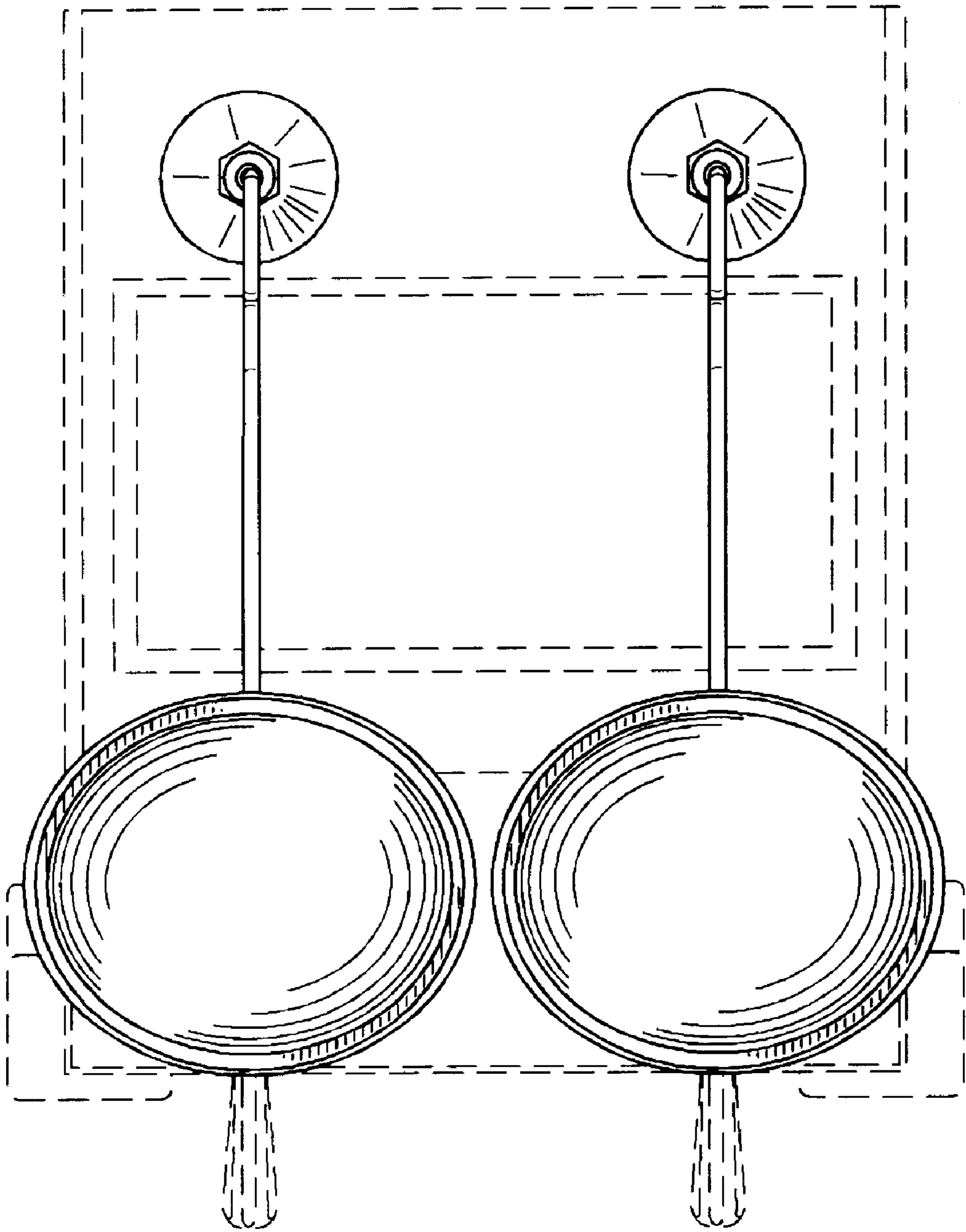


FIG. 6

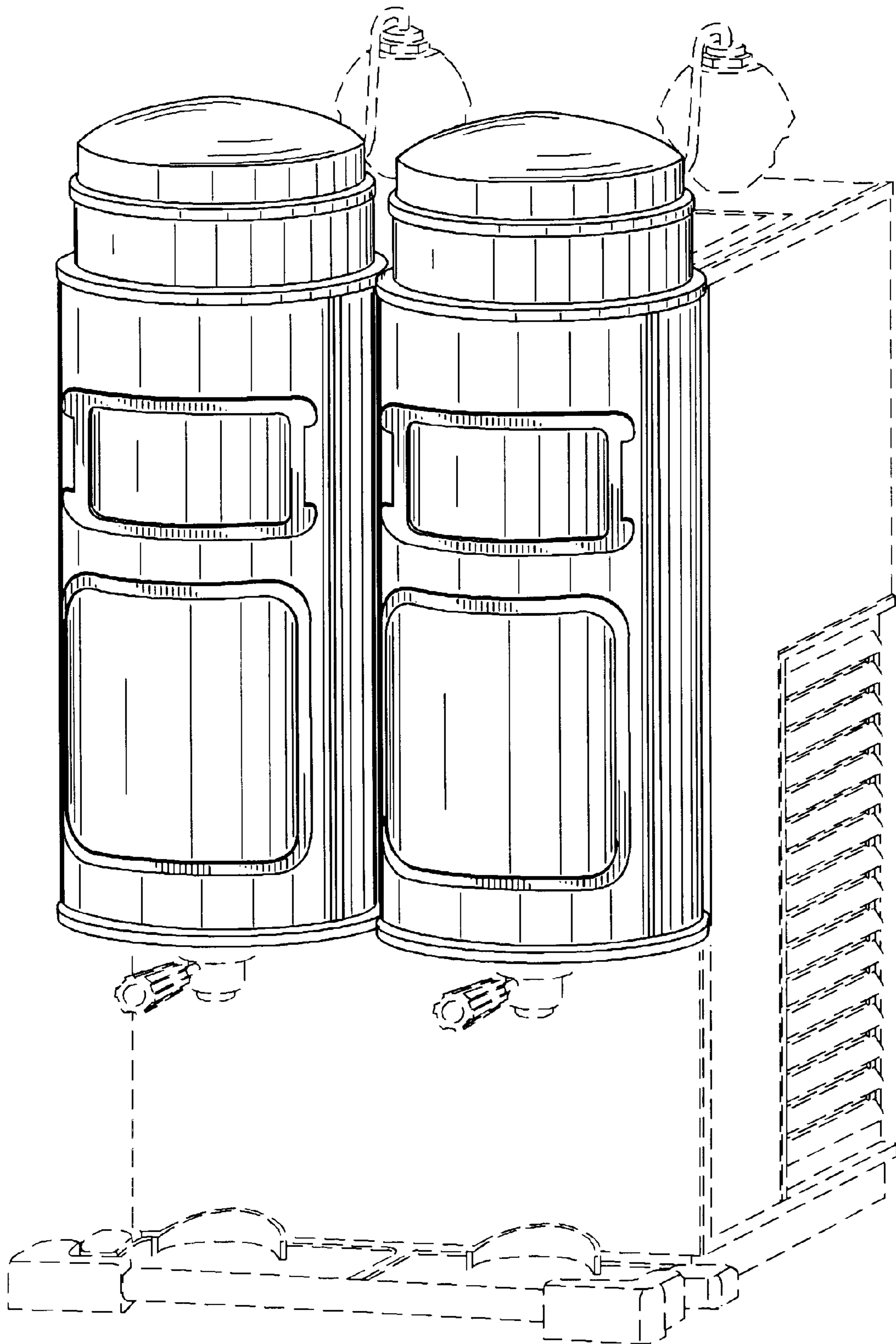


FIG. 7

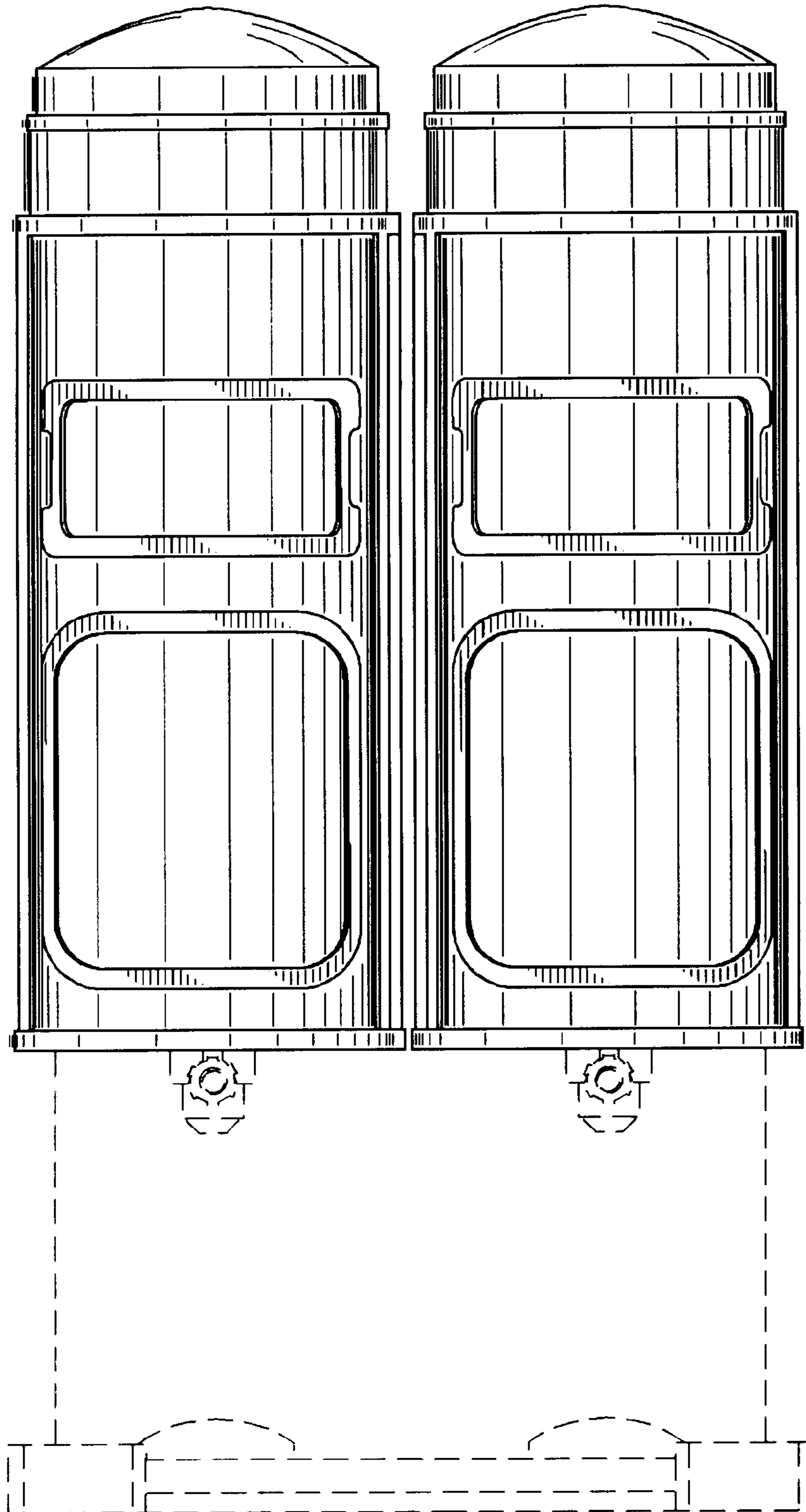


FIG. 8

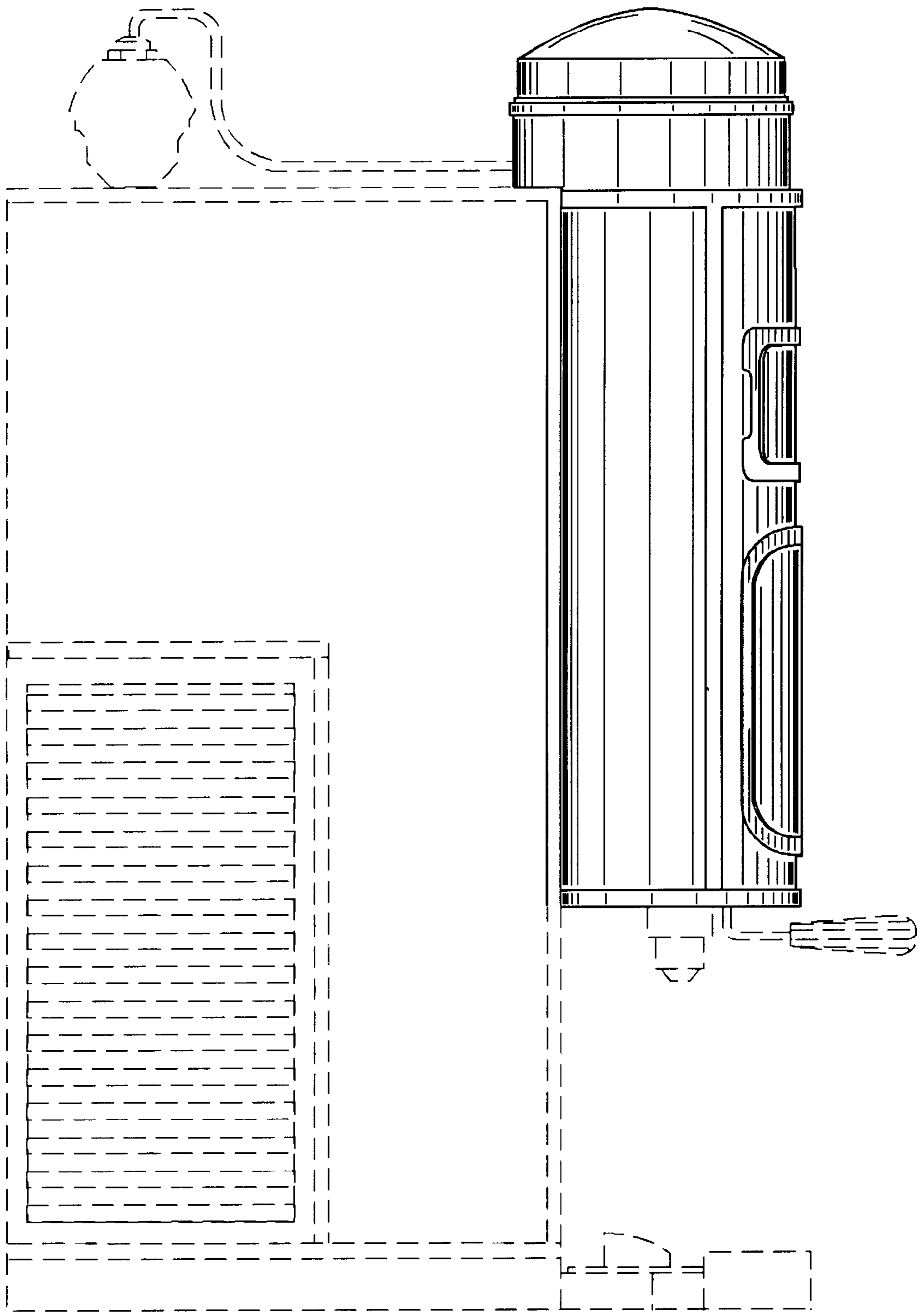


FIG. 9

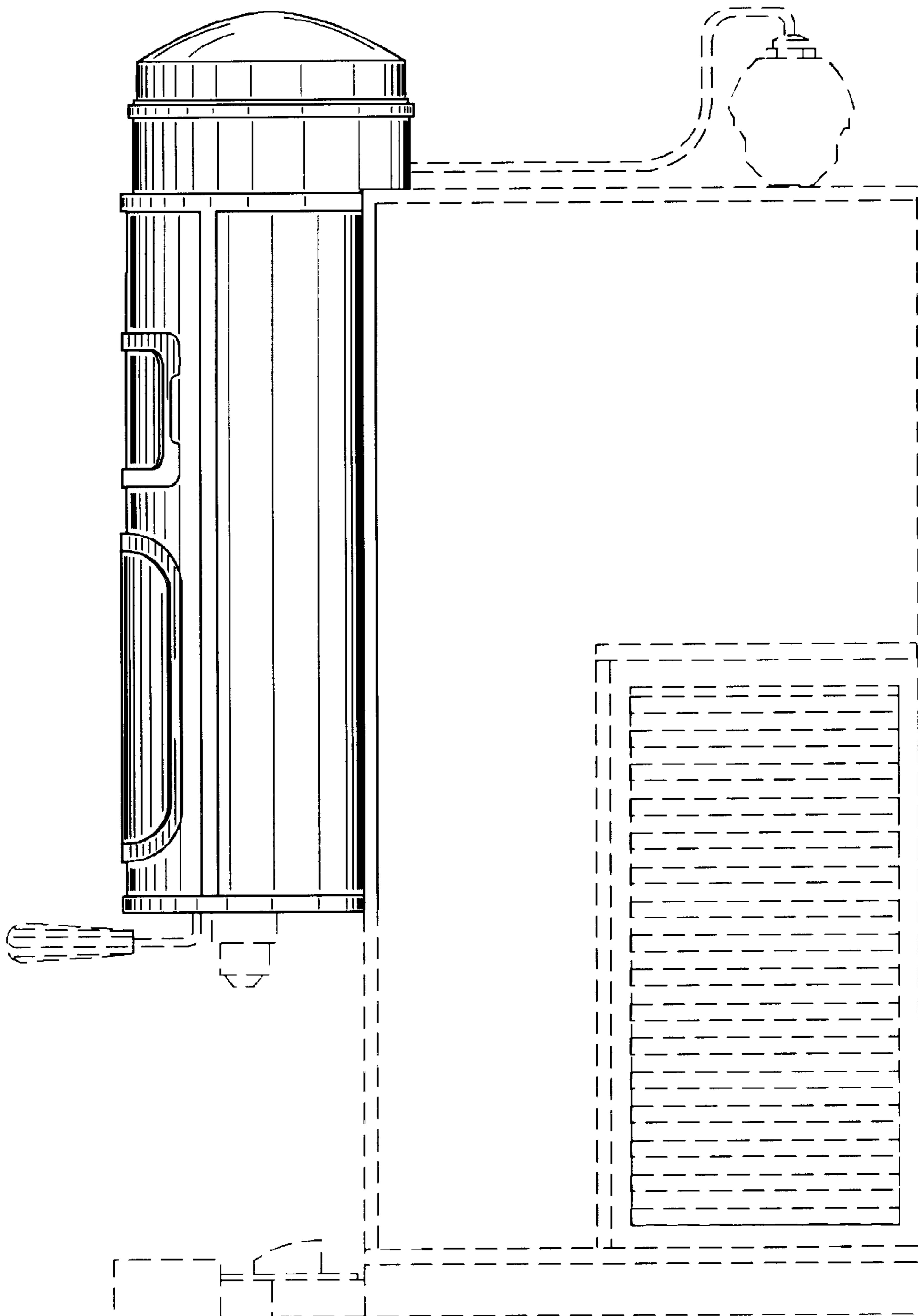


FIG. 10

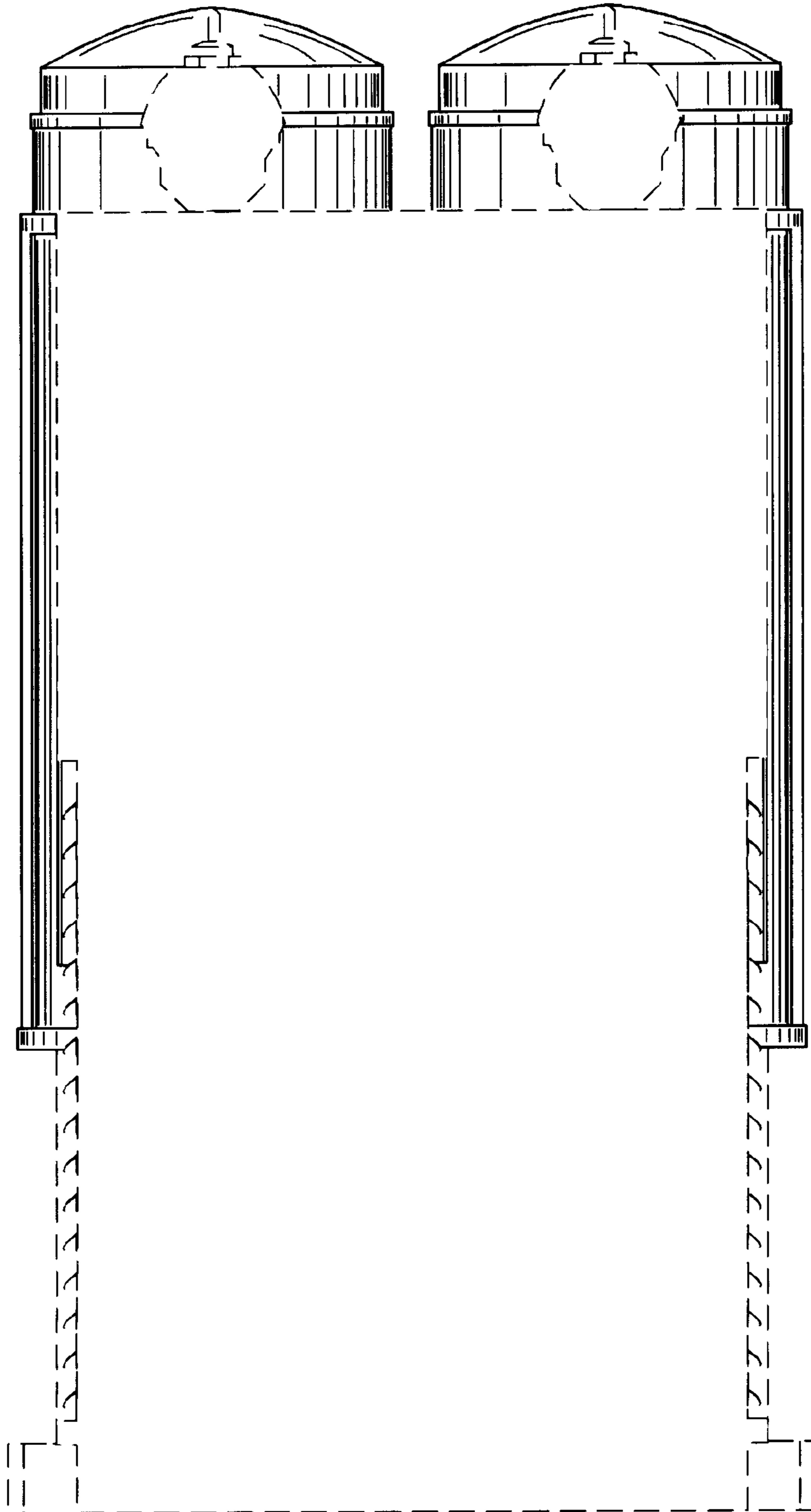


FIG. 11

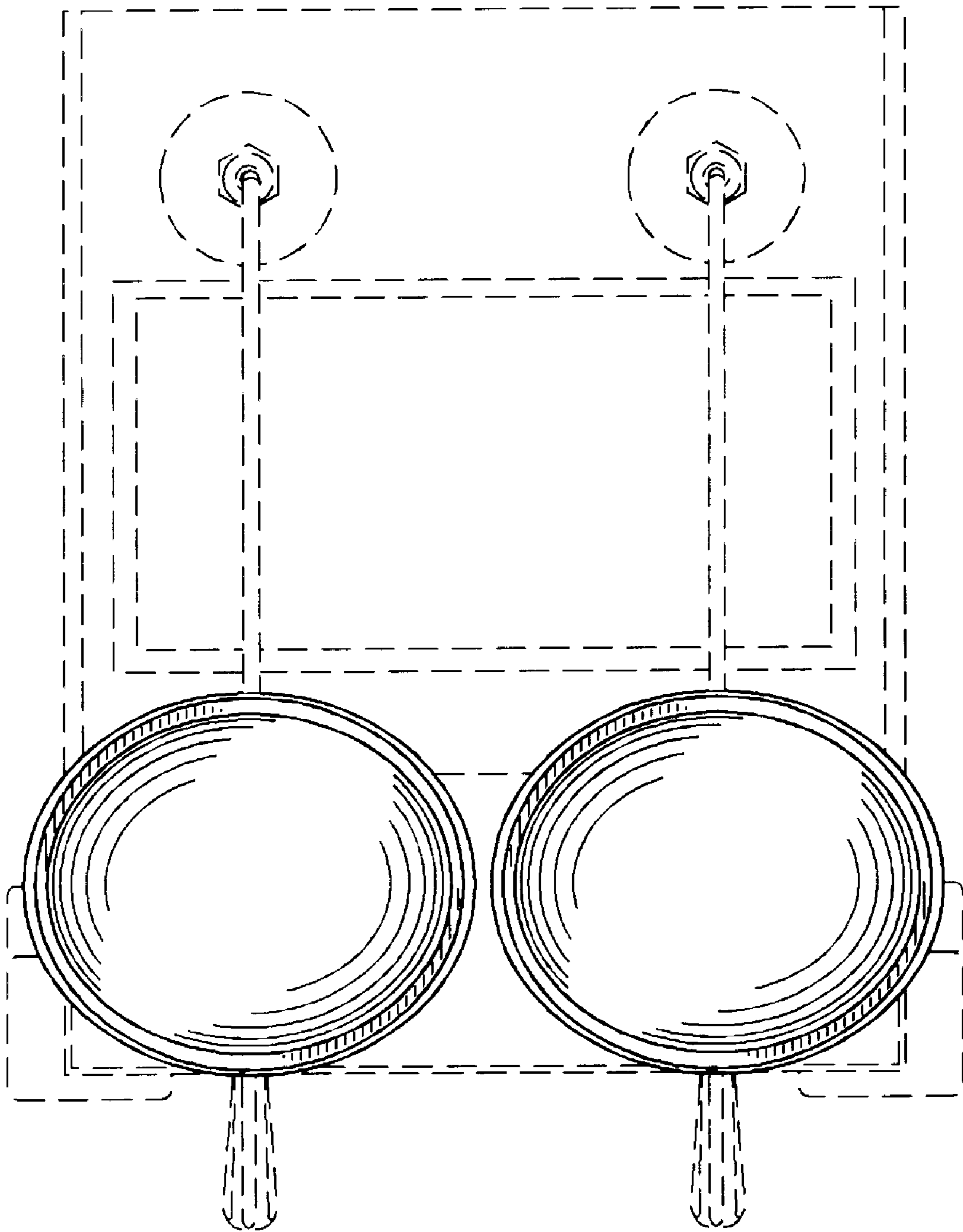


FIG. 12