



US00D440105S

(12) **United States Design Patent** (10) **Patent No.:** **US D440,105 S**
Avery (45) **Date of Patent:** **** Apr. 10, 2001**

(54) **DOORMAT HAVING THE APPEARANCE OF A GOLF PUTTING GREEN**

2,515,847 * 7/1950 Winkler 428/95
3,578,333 * 5/1971 Elesh 473/171

(75) Inventor: **Mark S. Avery**, Rome, GA (US)

* cited by examiner

(73) Assignee: **Cutting Edge Enterprises, Inc.**, Rome, GA (US)

Primary Examiner—Ted Shooman

Assistant Examiner—Carol Rademaker

(**) Term: **14 Years**

(74) *Attorney, Agent, or Firm*—Pillsbury Madison & Sutro LLP

(21) Appl. No.: **29/122,189**

(57) **CLAIM**

(22) Filed: **Apr. 21, 2000**

The ornamental design for a doormat having the appearance of a golf putting green, as shown and described.

(51) **LOC (7) Cl.** **06-11**

(52) **U.S. Cl.** **D6/592; D6/583**

(58) **Field of Search** D6/582–594; D20/10, D20/14, 23, 27, 30–32, 39–40, 99; D5/8, 16, 17; 4/581–583; 5/417; 15/215–217, 238; 16/4, 7–9, 16; 428/82–83, 88, 95, 122, 167; D12/203; D21/792, 319, 302–303, 312–313, 350, 358; 434/252; 463/3; 473/150

DESCRIPTION

A portion of the disclosure of this patent document contains material to which a claim for copyright is made. The copyright owner has no objection to the facsimile reproduction of the patent document or the patent disclosure, as it appears in the Patent and Trademark Office patent file or records, but reserves all other copyrights whatsoever.

(56) **References Cited**

FIG. 1 is a perspective view of a doormat having the appearance of a golf putting green embodying my new design;

U.S. PATENT DOCUMENTS

FIG. 2 is a side elevational view of the doormat of FIG. 1; and,

| | | | | | |
|------------|---|---------|---------------|-------|---------|
| D. 82,300 | * | 10/1930 | Akin et al. | | D21/319 |
| D. 83,510 | * | 3/1931 | Carter | | D21/319 |
| D. 187,538 | * | 3/1960 | Lasting | | D21/319 |
| D. 246,059 | * | 10/1977 | Malish | | D21/303 |
| D. 267,385 | | 12/1982 | Burt . | | |
| D. 267,459 | | 1/1983 | Burt . | | |
| D. 282,996 | | 3/1986 | Bösenberg . | | |
| D. 321,616 | * | 11/1991 | Barfield | | D21/358 |
| D. 326,480 | * | 5/1992 | Scott | | D21/319 |
| D. 347,661 | * | 6/1994 | Dickson | | D21/319 |
| D. 353,506 | * | 12/1994 | Brandon | | D6/583 |
| D. 368,119 | * | 3/1996 | Hourie | | D21/358 |
| D. 384,849 | * | 10/1997 | Lombardo | | D6/591 |
| D. 395,457 | * | 6/1998 | Tsou | | D21/792 |
| D. 405,839 | * | 2/1999 | Childs | | D21/319 |
| D. 411,400 | | 6/1999 | Yancey, Jr. . | | |

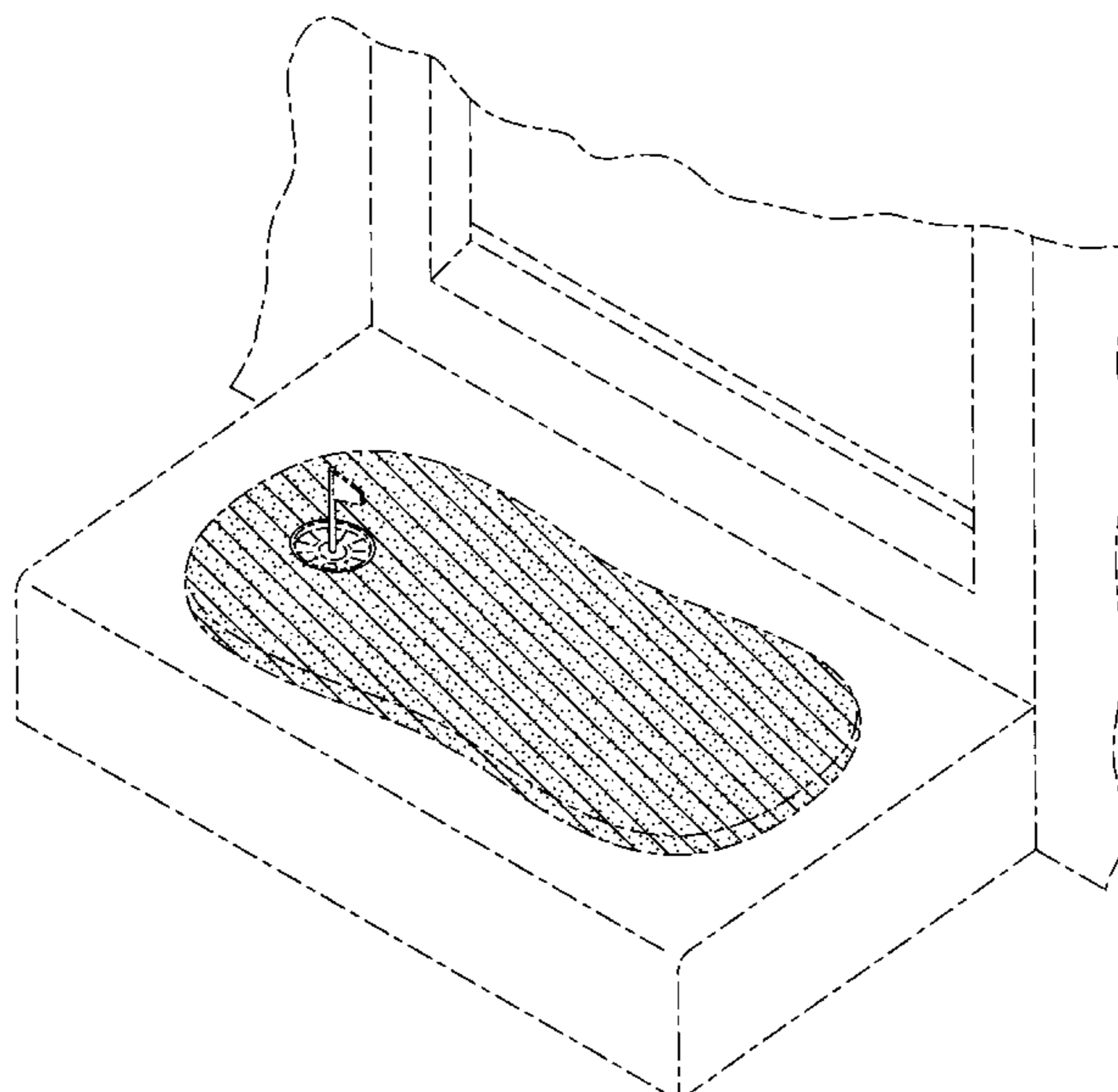
FIG. 3 is a top plan view of the doormat of FIG. 1.

The drawing FIGS. 1 & 3, showing a doormat having the appearance of a golf putting green, are lined for the color green using standard PTO symbols.

The broken line around the outer edge of the doormat and of the flag shown in FIGS. 1–3, which define the boundaries of the claimed design, form no part thereof.

The broken line showing of environment of the circular recess shown in FIGS. 1 & 3, of a doorway, and of a step is for illustrative purposes only and forms no part of the claimed design.

1 Claim, 2 Drawing Sheets



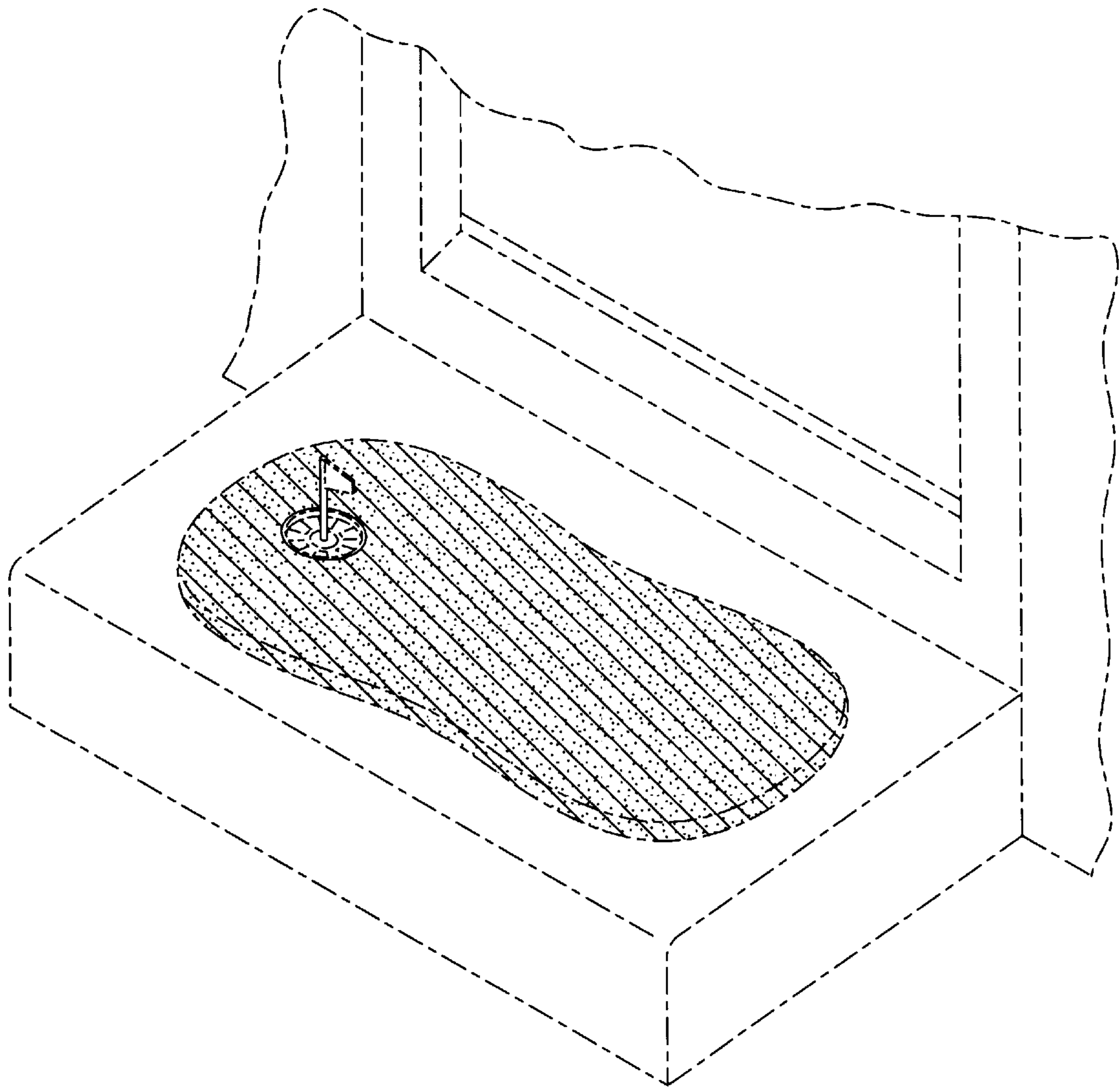


FIG. 1

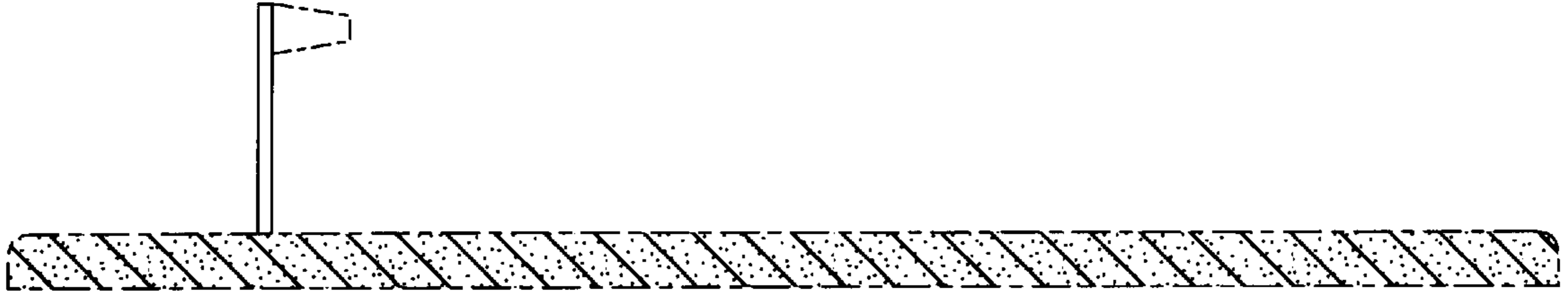


FIG. 2

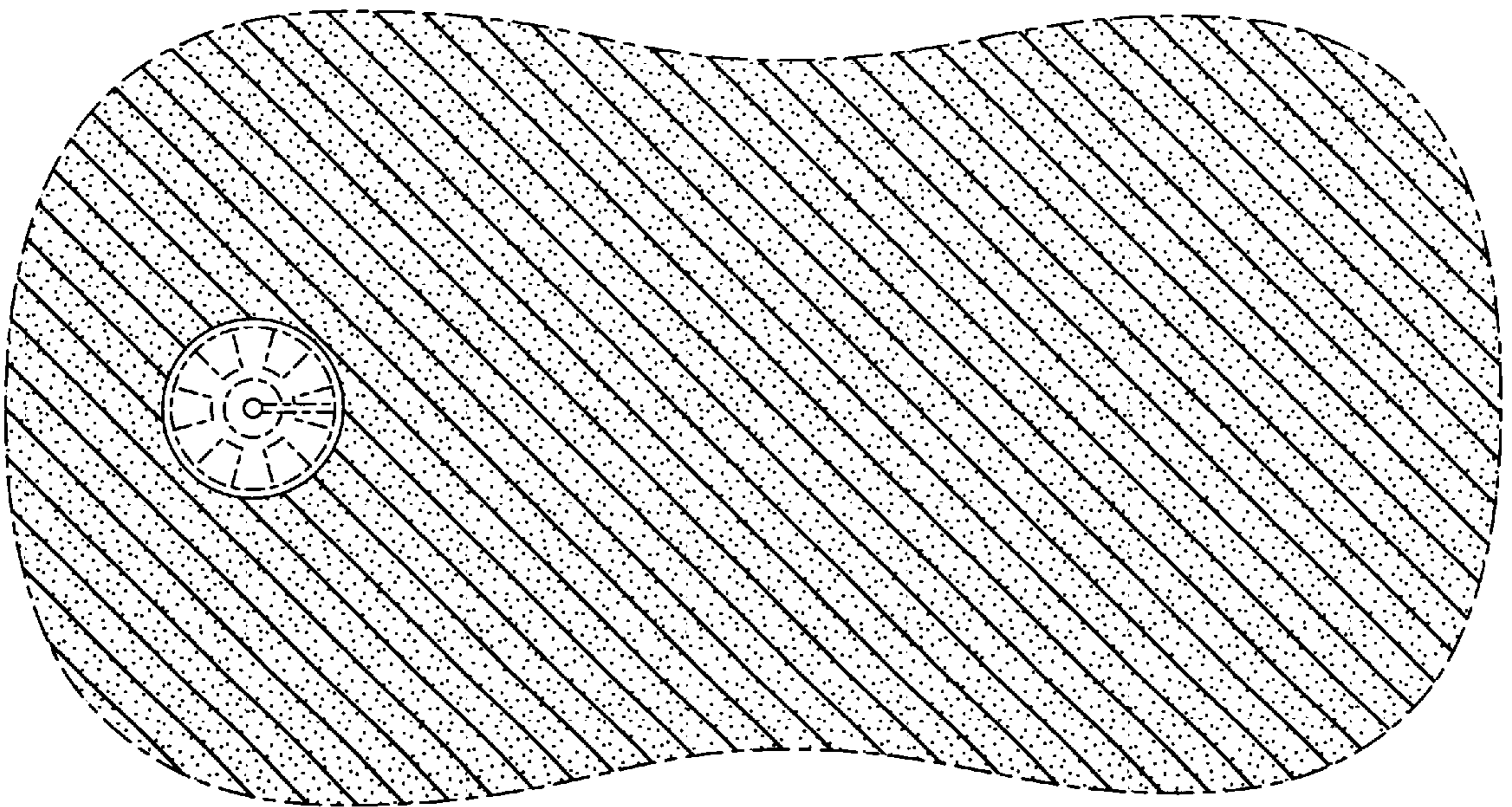


FIG. 3