



US00D440100S

(12) **United States Design Patent**  
**Horsten**

(10) **Patent No.:** **US D440,100 S**

(45) **Date of Patent:** **\*\* Apr. 10, 2001**

(54) **EXTRUDED HEADRAIL COVER FOR ROLLER BLIND**

(76) **Inventor:** **Antonius Johannus Josephus Horsten,**  
Muurbloemweg 77, 2555 NC Den Haag  
(NL)

(\*\*) **Term:** **14 Years**

(21) **Appl. No.:** **29/118,450**

(22) **Filed:** **Feb. 7, 2000**

(30) **Foreign Application Priority Data**

Aug. 5, 1999 (XH) ..... DMA/004 641

(51) **LOC (7) Cl.** ..... **06-10**

(52) **U.S. Cl.** ..... **D6/580**

(58) **Field of Search** ..... D6/575, 577, 580;  
D8/376, 377; 160/377, 178.1, 236, 38,  
39, 310

(56) **References Cited**

**U.S. PATENT DOCUMENTS**

D. 231,326 \* 4/1974 Miki ..... D8/377

D. 345,498 \* 3/1994 Fraser ..... D8/377  
D. 355,093 \* 2/1995 Morris ..... D6/580  
D. 355,094 \* 2/1995 Josephson ..... D6/580  
D. 361,010 \* 8/1995 Hebsgaard ..... D6/580  
D. 385,449 \* 10/1997 Morris ..... D6/580

\* cited by examiner

*Primary Examiner*—Mitchell Siegel

(74) *Attorney, Agent, or Firm*—Dorsey & Whitney LLP

(57) **CLAIM**

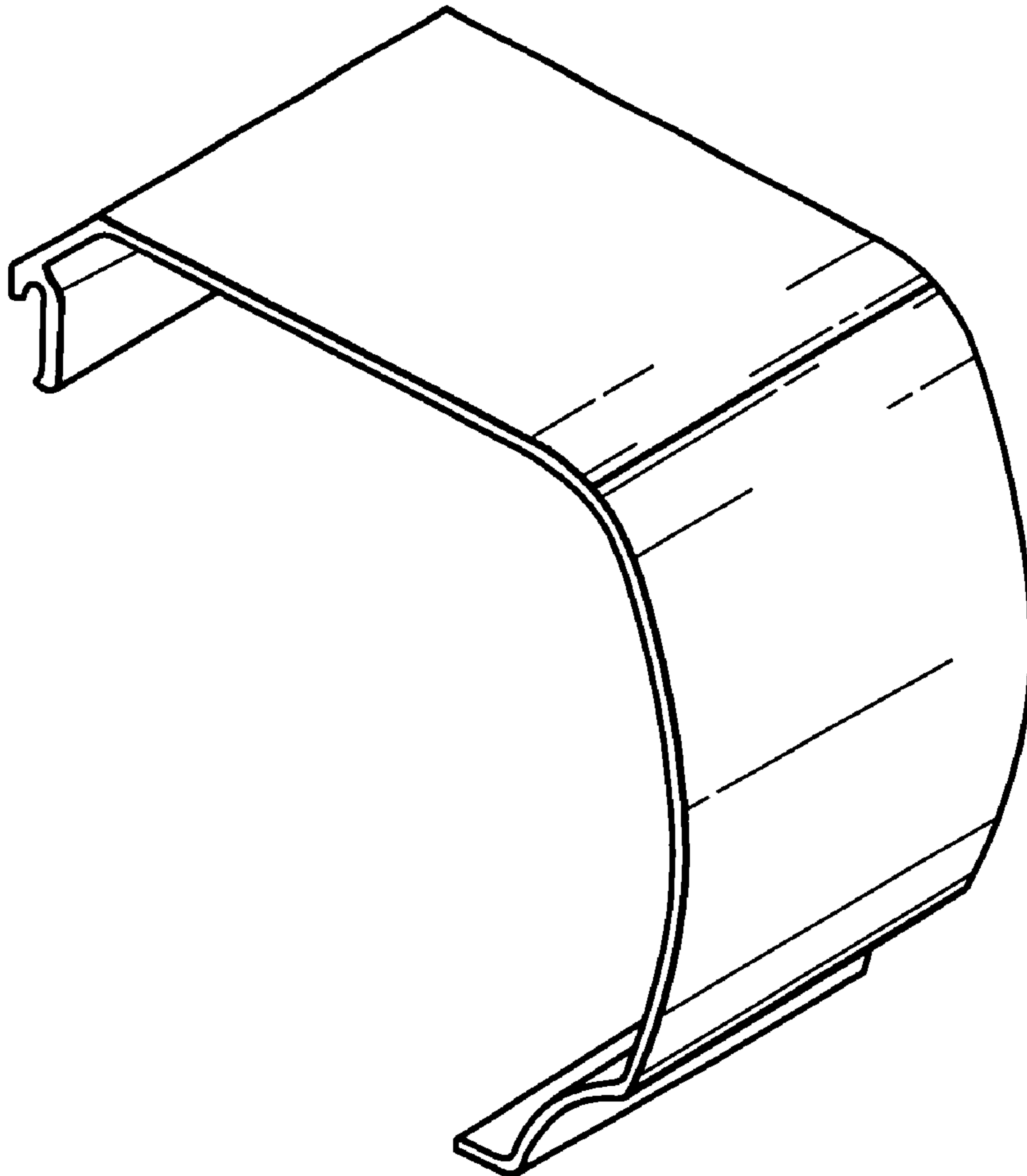
I claim the ornamental design for an extruded headrail cover for roller blind, as shown.

**DESCRIPTION**

FIG. 1 is an isometric view of the extruded headrail cover for roller blind; and,

FIG. 2 is an end elevation of the extrusion shown in FIG. 1.

**1 Claim, 1 Drawing Sheet**



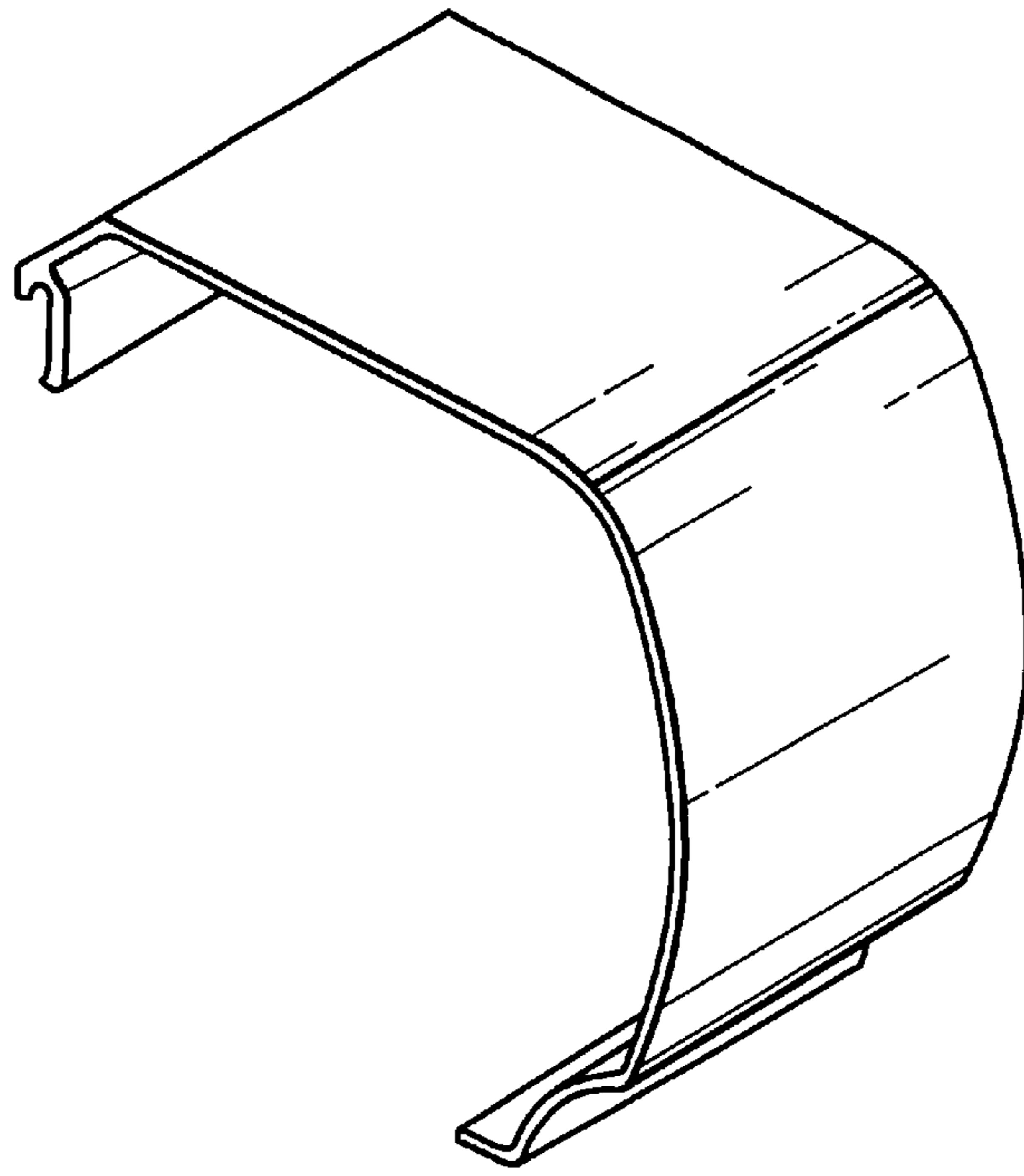


Fig.1.

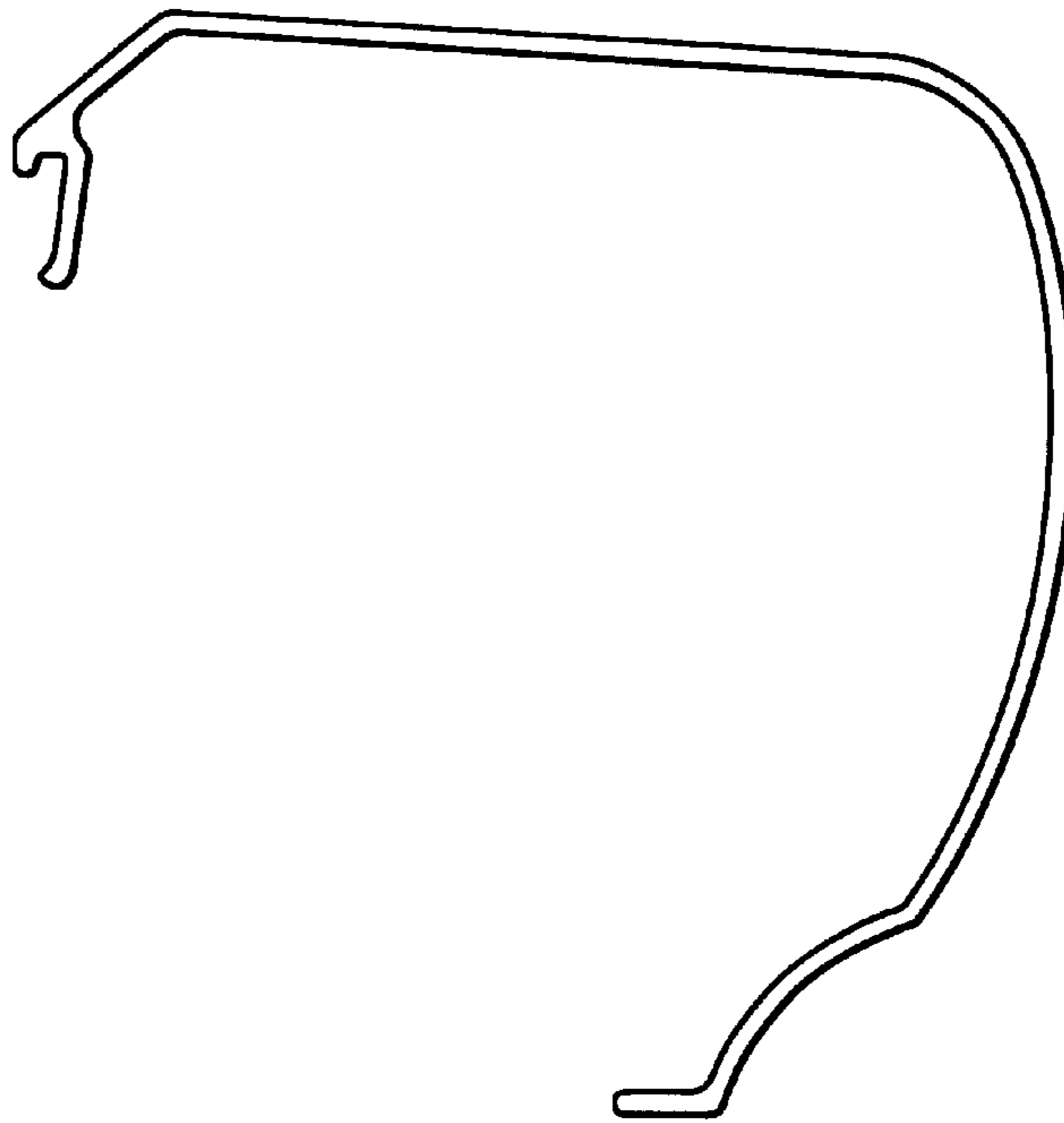


Fig.2.