



US00D440098S

(12) **United States Design Patent**
Horsten

(10) **Patent No.:** **US D440,098 S**

(45) **Date of Patent:** **** Apr. 10, 2001**

(54) **EXTRUDED BOTTOM RAIL FOR VENETIAN BLIND**

(76) **Inventor:** **Antonius Johannus Josephus Horsten,**
Muurbloemweg 77, 2555 NC Den Haag
(NL)

(**) **Term:** **14 Years**

(21) **Appl. No.:** **29/118,448**

(22) **Filed:** **Feb. 7, 2000**

(30) **Foreign Application Priority Data**

Aug. 5, 1999 (XH) DMA/004 641

(51) **LOC (7) Cl.** **06-10**

(52) **U.S. Cl.** **D6/580**

(58) **Field of Search** D6/575, 577, 580;
160/173, 178.1, 236, 38, 39, 310; D8/376,
377

(56) **References Cited**

U.S. PATENT DOCUMENTS

D. 355,093	*	2/1995	Morris	D6/580
D. 355,094	*	2/1995	Josephson	D6/580
D. 403,910	*	1/1999	Anderson	D6/580
2,627,917	*	2/1953	Lind	160/173

* cited by examiner

Primary Examiner—Mitchell Siegel

(74) *Attorney, Agent, or Firm*—Dorsey & Whitney LLP

(57) **CLAIM**

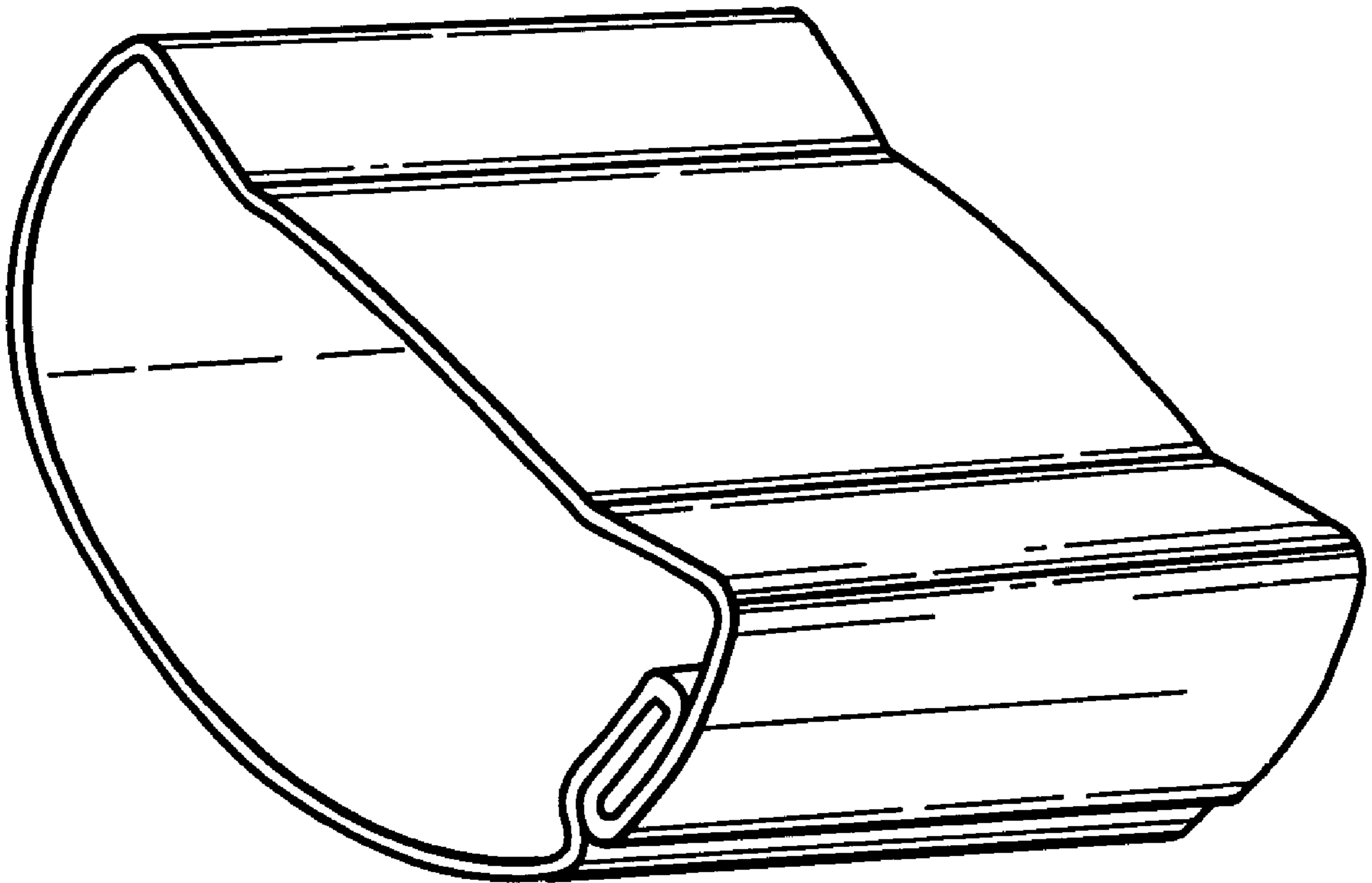
I claim the ornamental design for an extruded bottom rail for venetian blind, as shown.

DESCRIPTION

FIG. 1 is an isometric view of the extruded bottom rail for venetian blind; and,

FIG. 2 is an end elevation of the extrusion shown in FIG. 1.

1 Claim, 1 Drawing Sheet



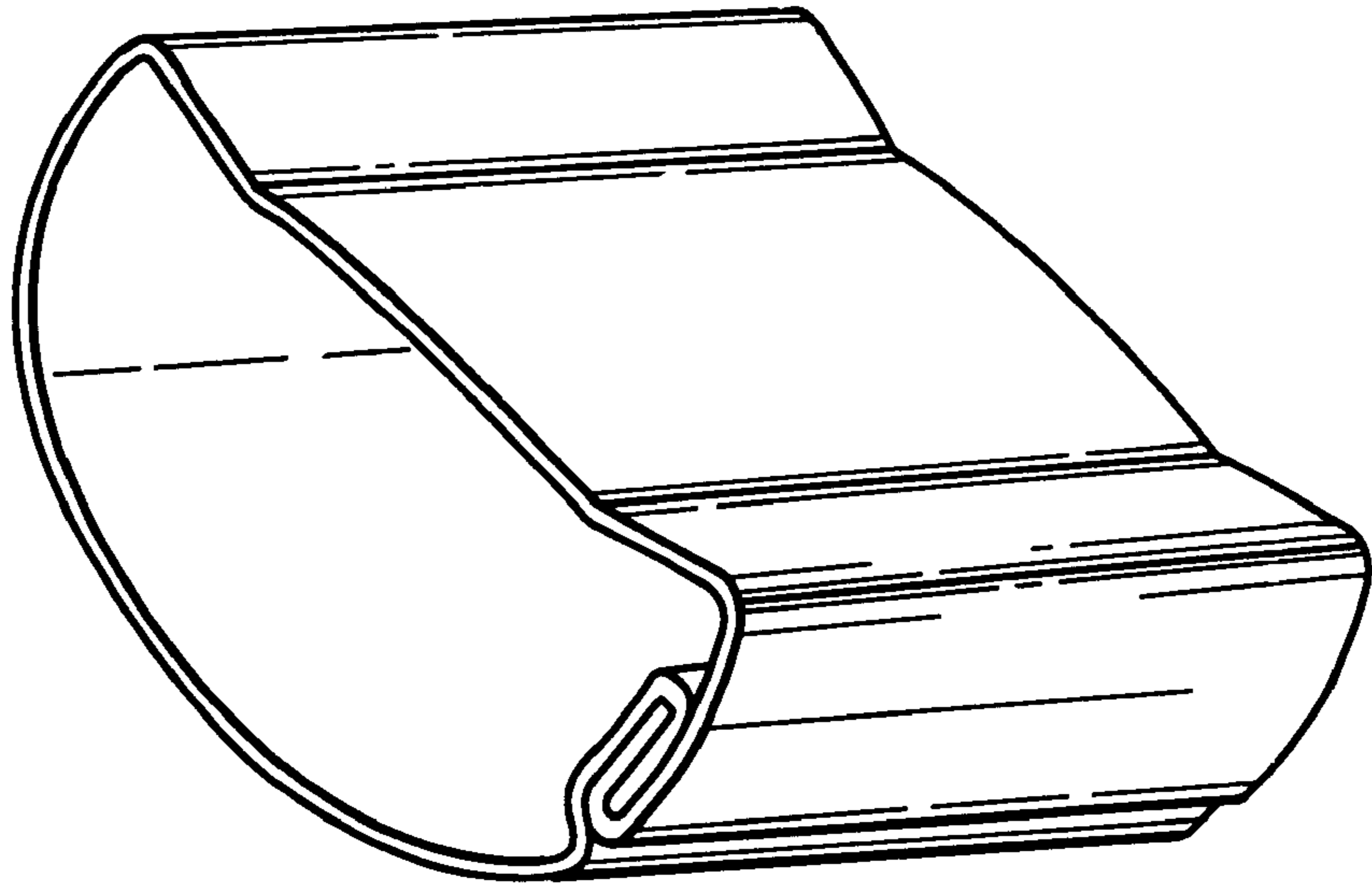


Fig. 1.

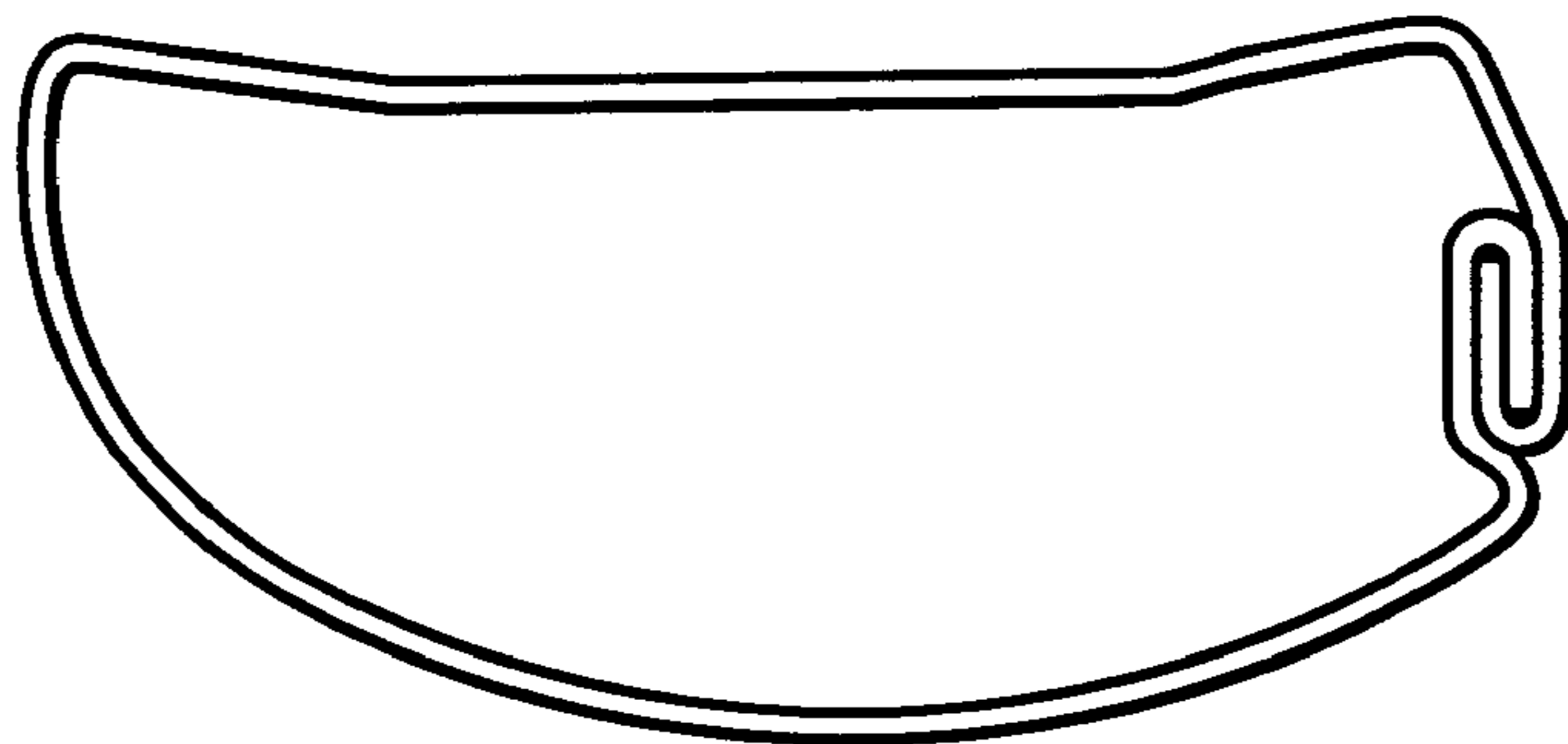


Fig. 2.