



US00D440095S

(12) **United States Design Patent**  
**Susnar**

(10) **Patent No.:** **US D440,095 S**

(45) **Date of Patent:** **\*\* Apr. 10, 2001**

(54) **ROLL-UP SHUTTER**

(76) Inventor: **Scott G. Susnar**, 1539 Poinciana Ave.,  
Fort Myers, FL (US) 33901

(\*\*) Term: **14 Years**

(21) Appl. No.: **29/110,927**

(22) Filed: **Sep. 16, 1999**

(51) **LOC (7) Cl.** ..... **06-10**

(52) **U.S. Cl.** ..... **D6/575**

(58) **Field of Search** ..... D6/575; D25/49;  
160/133, 236, 238, 235

(56) **References Cited**

**U.S. PATENT DOCUMENTS**

D. 366,586	*	1/1996	Underdahl	.....	D6/580
5,343,922	*	9/1994	Rankl et al.	.....	160/236
6,006,815	*	12/1999	Schanz	.....	160/133
6,095,224	*	8/2000	Miller	.....	160/133
6,095,225	*	8/2000	Miller	.....	160/133

\* cited by examiner

*Primary Examiner*—Mitchell Siegel

(74) *Attorney, Agent, or Firm*—Gifford, Krass, Groh,  
Sprinkle, Anderson & Citkowski, P.C.

(57) **CLAIM**

The ornamental design for a roll-up shutter, as shown and described.

**DESCRIPTION**

FIG. 1 is a perspective view of a roll-up shutter showing my new design;

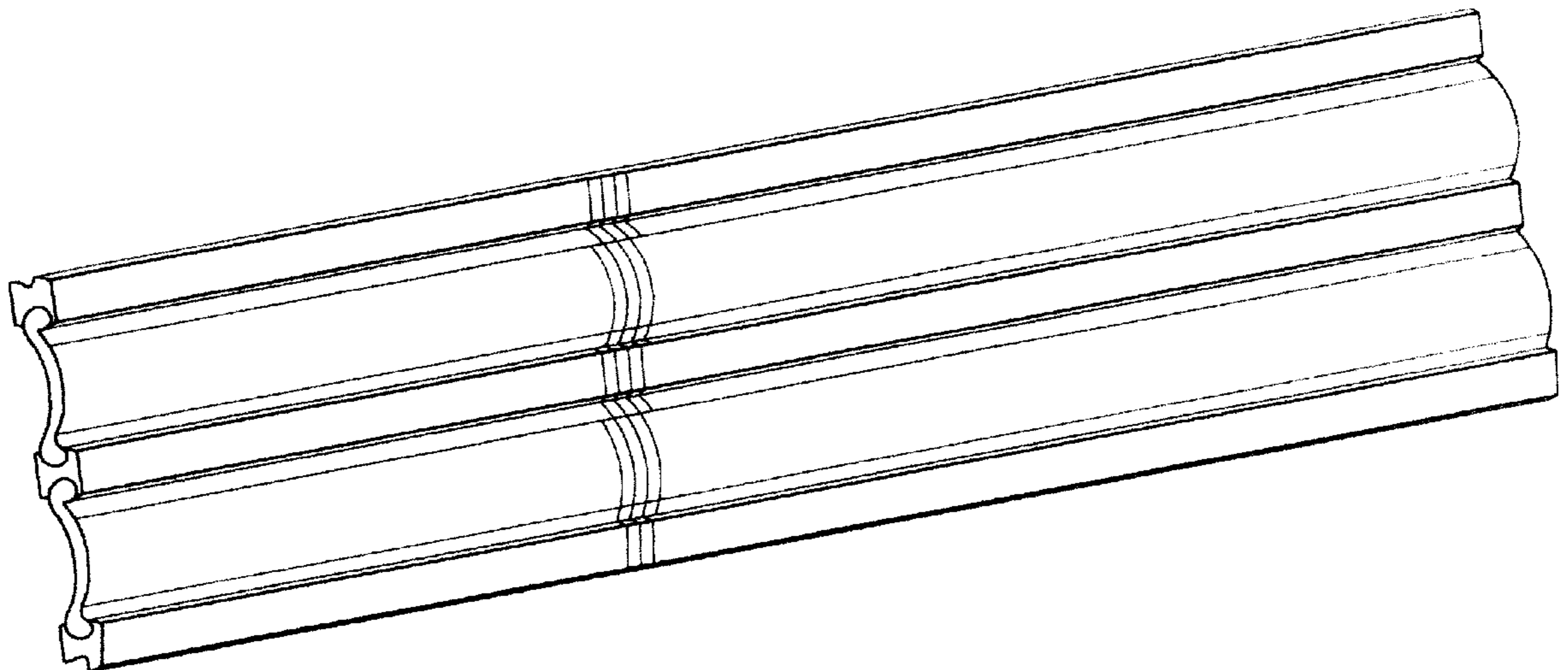
FIG. 2 is an elevation of one side of the roll-up shutter shown in FIG. 1;

FIG. 3 is an elevation of one end of the roll-up shutter seen in FIG. 2, the other end being a mirror image;

FIG. 4 is a plan view of the top of the roll-up shutter in FIG. 2, the bottom being a mirror image; and,

FIG. 5 is an elevation similar to FIG. 2 showing the opposite side of the roll-up shutter.

**1 Claim, 2 Drawing Sheets**



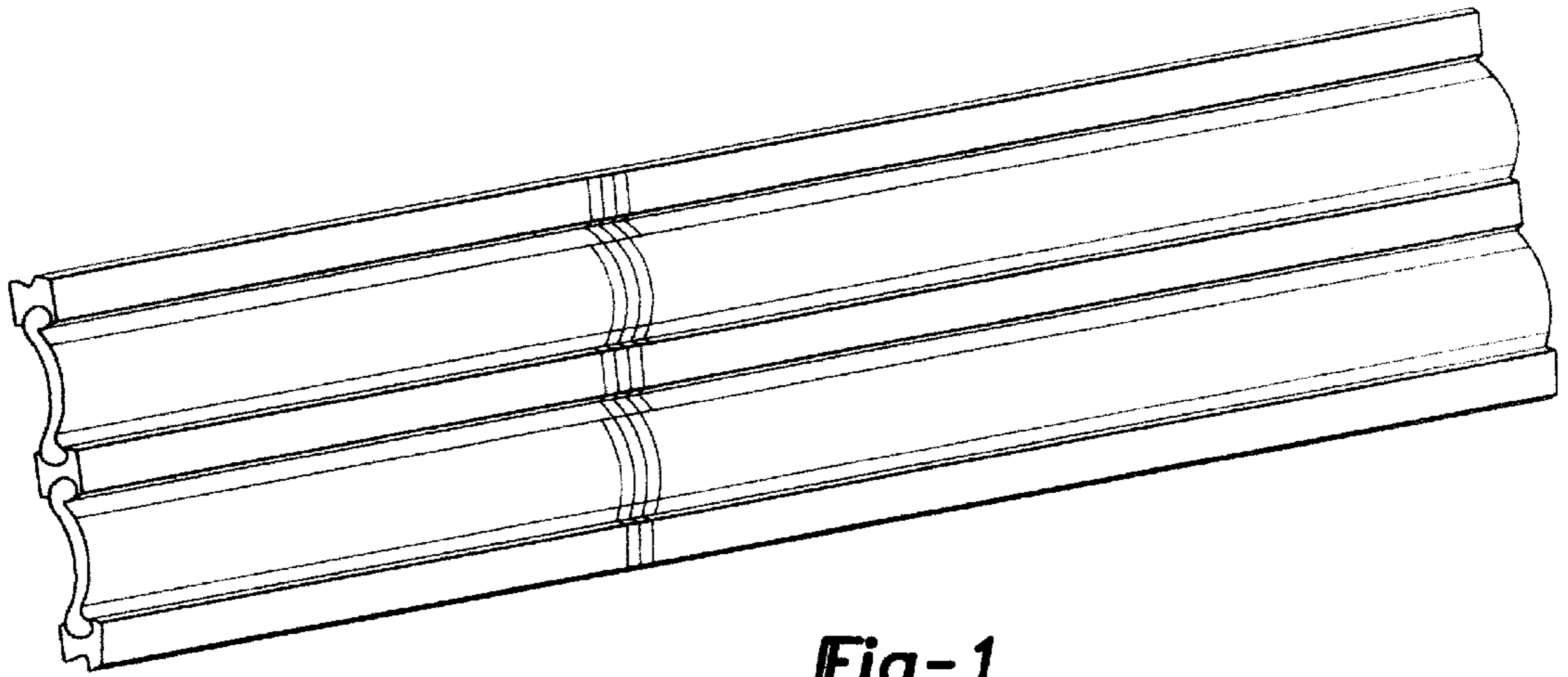


Fig-1

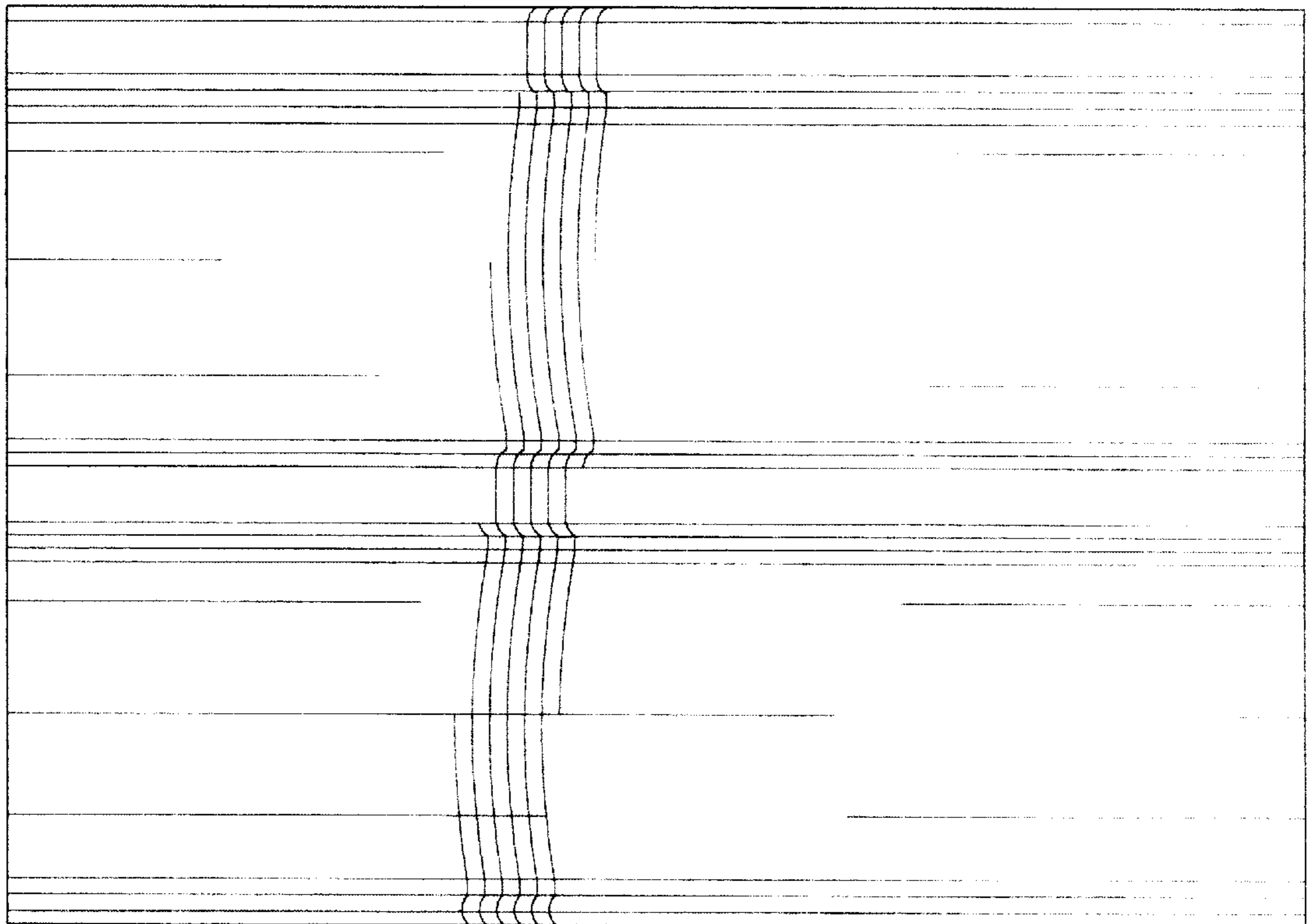
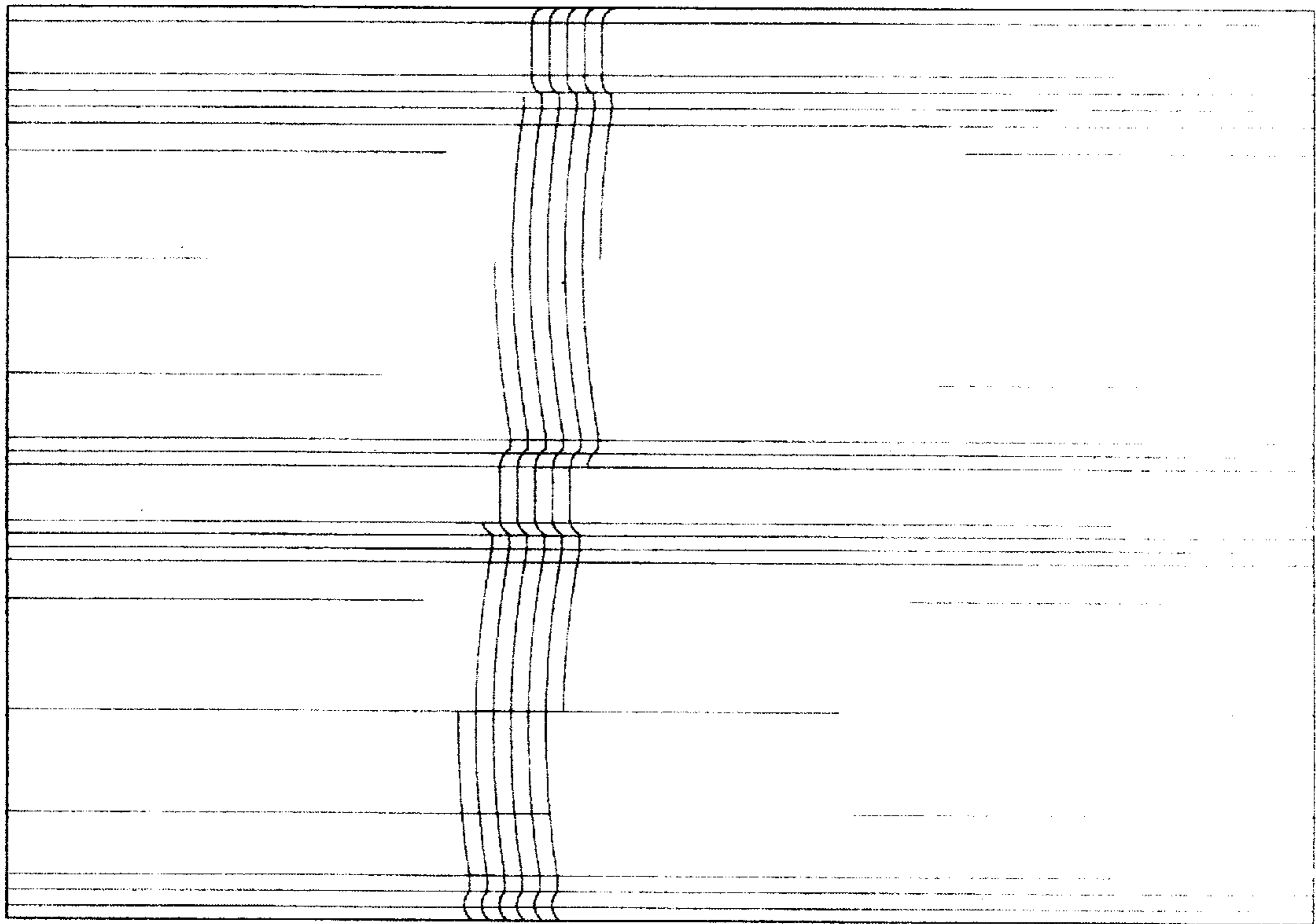
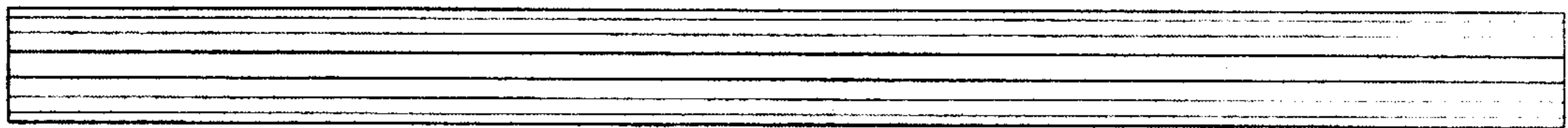


Fig-2



**Fig-3**

**Fig-4**



**Fig-5**