



US00D440088S

(12) **United States Design Patent**  
**Leines et al.**

(10) **Patent No.:** **US D440,088 S**

(45) **Date of Patent:** **\*\* Apr. 10, 2001**

(54) **ROLL PAPER TOWEL DISPENSER**

2,973,958 3/1961 Casey et al. .

(75) Inventors: **Eric Scott Leines**, Suwanee, GA (US);  
**David K. Memke; Phillip L. Brookshire**, both of Cincinnati, OH (US)

\* cited by examiner

*Primary Examiner*—Brian N. Vinson  
(74) *Attorney, Agent, or Firm*—Merchant & Gould P.C.

(73) Assignee: **Bay West Paper Corporation**, Harrodsburg, KY (US)

(57) **CLAIM**

The ornamental design for a roll paper towel dispenser, as shown and described.

(\*\*) Term: **14 Years**

**DESCRIPTION**

(21) Appl. No.: **29/106,749**

FIG. 1 is a top, front and left side perspective view of a roll paper towel dispenser showing our new design;

(22) Filed: **Jun. 21, 1999**

FIG. 2 is a front elevational view thereof;

(51) **LOC (7) Cl.** ..... **07-07**

FIG. 3 is a right side elevational view thereof;

(52) **U.S. Cl.** ..... **D6/522**

FIG. 4 is a left side elevational view thereof;

(58) **Field of Search** ..... D6/518, 522, 523;  
242/570, 590; 312/34.8, 34.1, 34.22

FIG. 5 is a bottom plan view thereof;

FIG. 6 is a top plan view thereof;

FIG. 7 is a top, front and left side perspective view of an alternate embodiment thereof;

(56) **References Cited**

FIG. 8 is a front elevational view of the embodiment of FIG. 7;

**U.S. PATENT DOCUMENTS**

- D. 219,355 12/1970 Tucker et al. .
- D. 286,236 10/1986 Collins .
- D. 312,180 11/1990 Perrin et al. .
- D. 312,369 11/1990 De Luca et al. .
- D. 316,645 \* 5/1991 Breger ..... D6/515
- D. 332,023 12/1992 Campbell .
- D. 341,970 12/1993 Brandenburg .
- D. 363,628 \* 10/1995 McCanless ..... D6/522
- D. 398,797 9/1998 Brandenburg et al. .
- D. 399,084 \* 10/1998 Tramontina ..... D6/522

FIG. 9 is a right side elevational view of the embodiment of FIG. 7;

FIG. 10 is a left side elevational view of the embodiment of FIG. 7;

FIG. 11 is a bottom plan view of the embodiment of FIG. 7; and,

FIG. 12 is a top plan view of the embodiment of FIG. 7.

The rear of both embodiments is plain and unornamented.

**1 Claim, 10 Drawing Sheets**

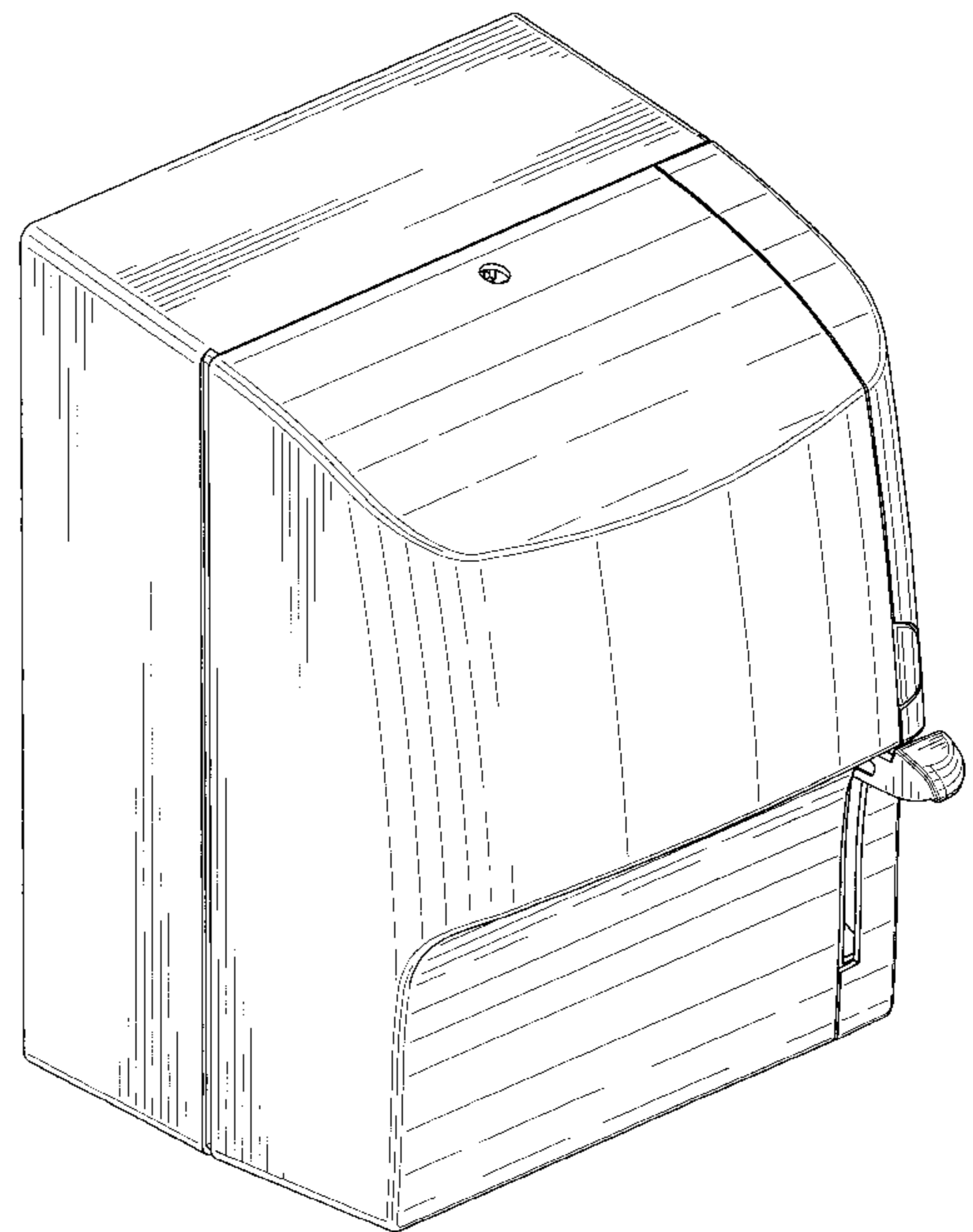
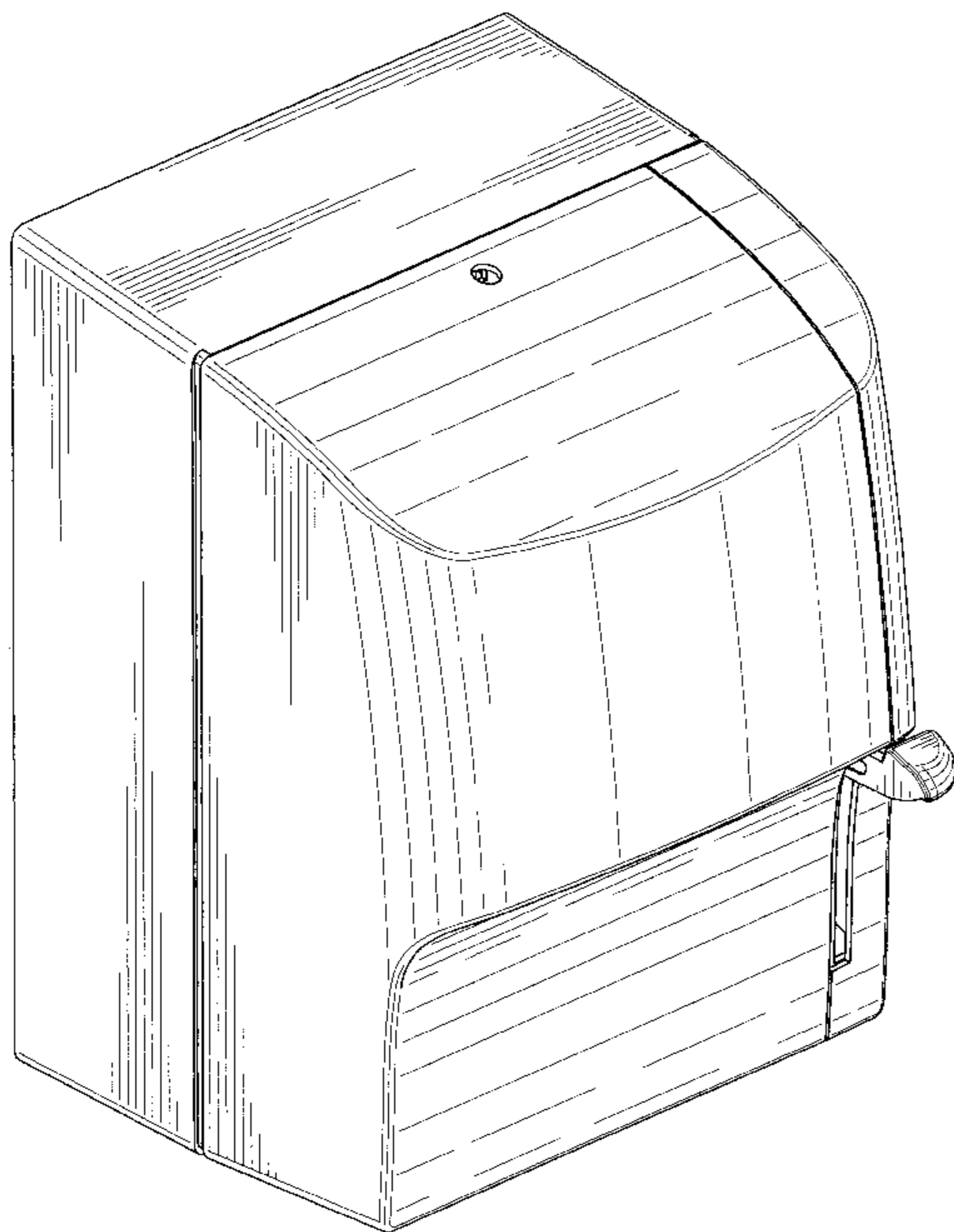


FIG. 1

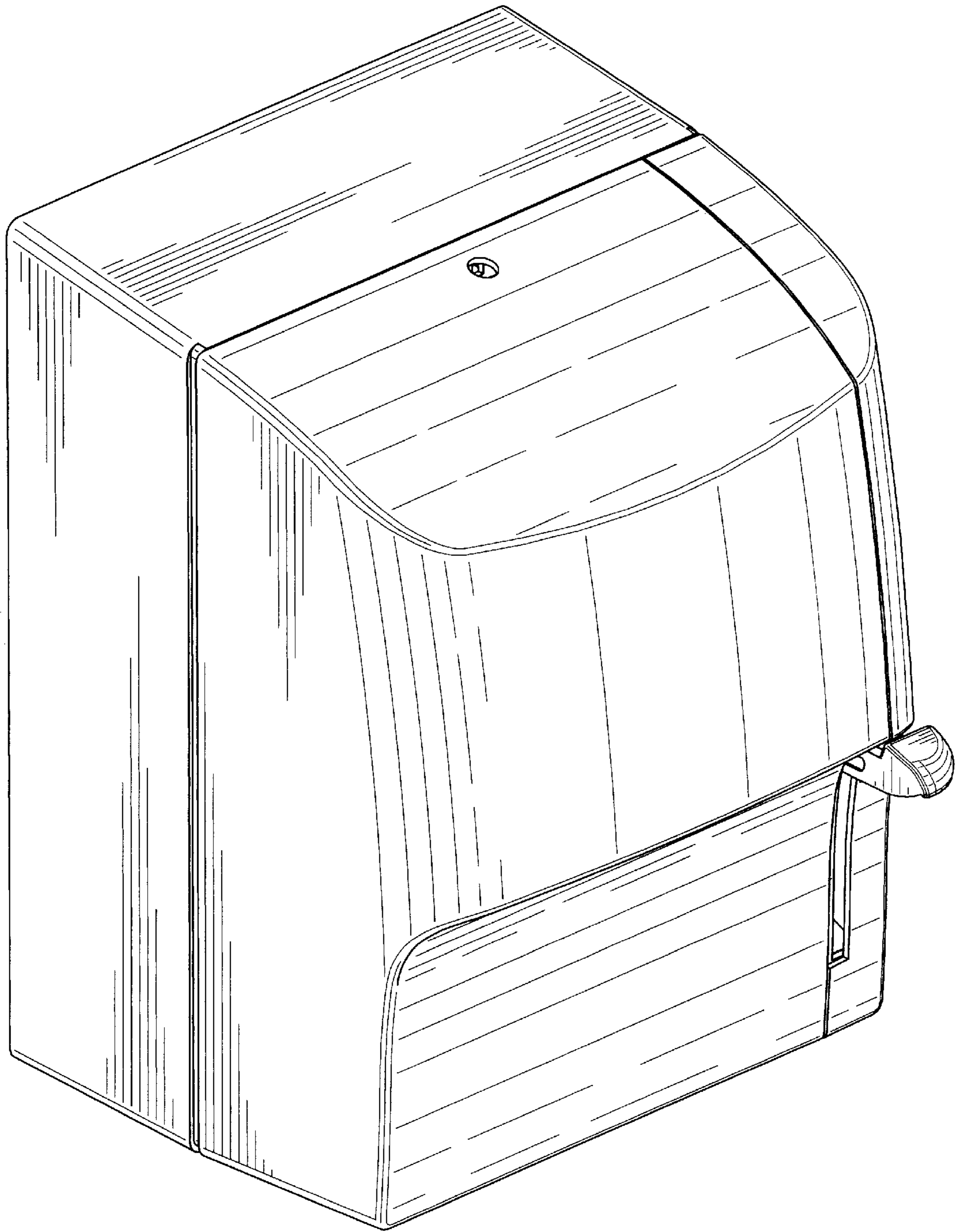


FIG. 2

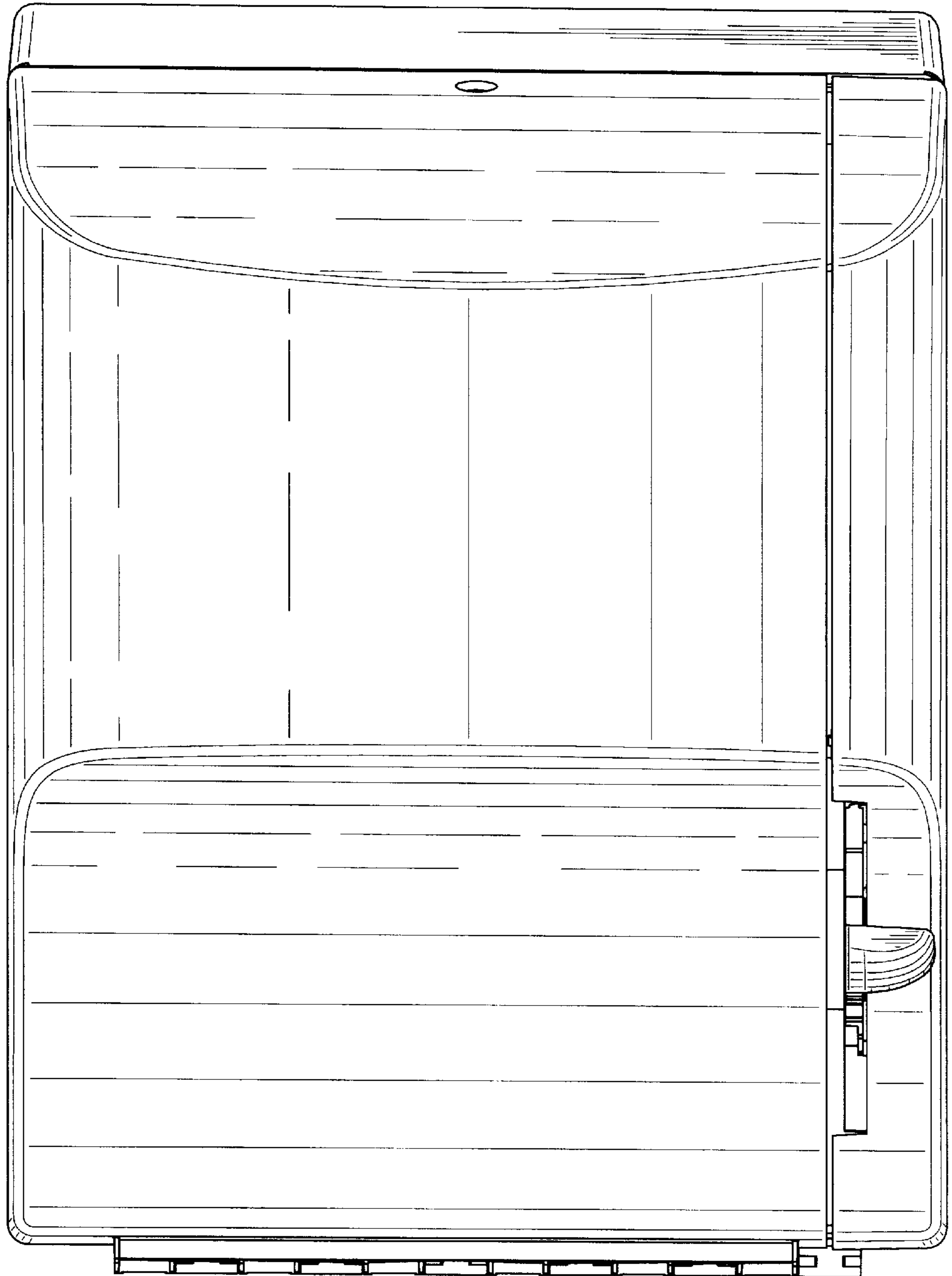


FIG. 3

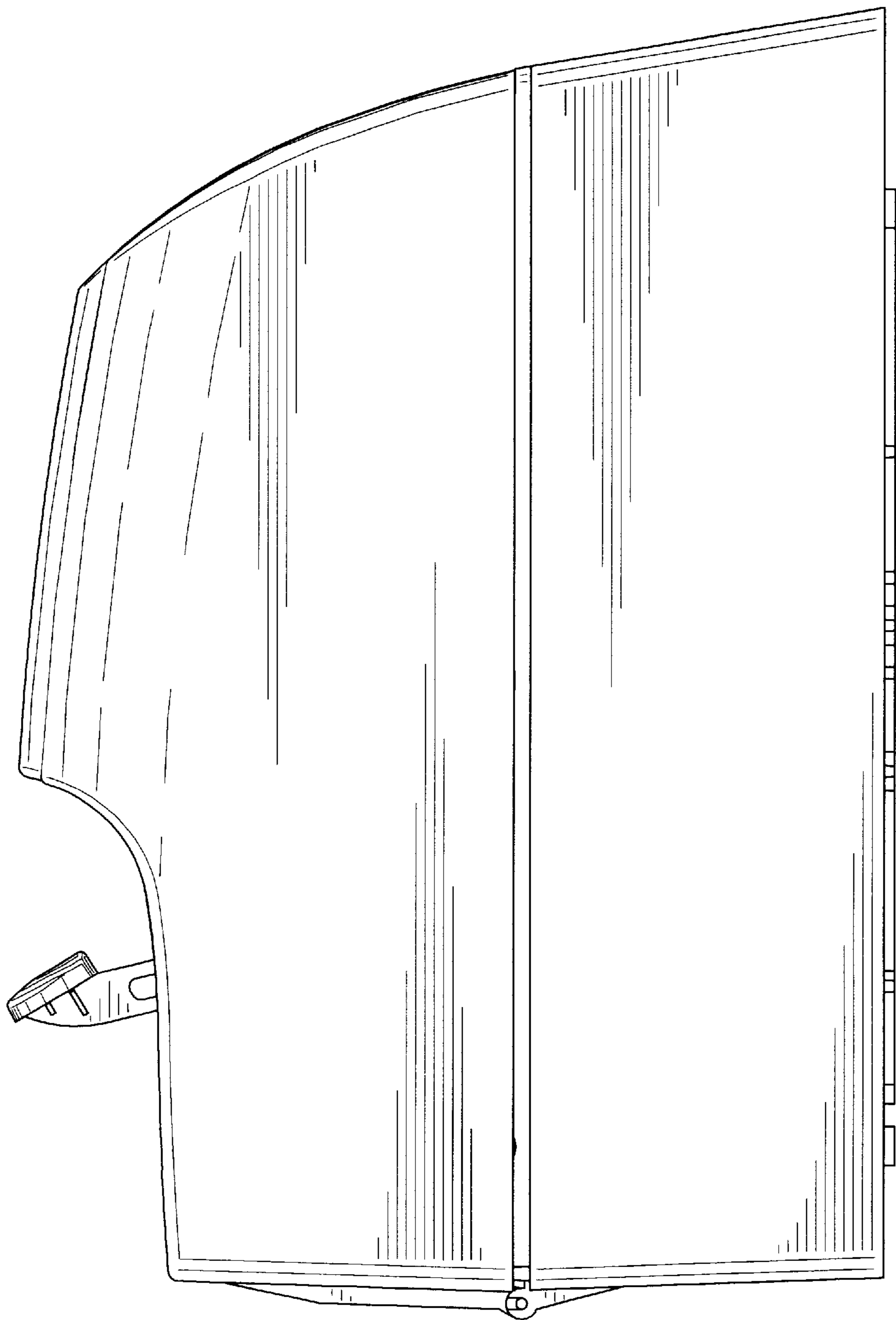


FIG. 4

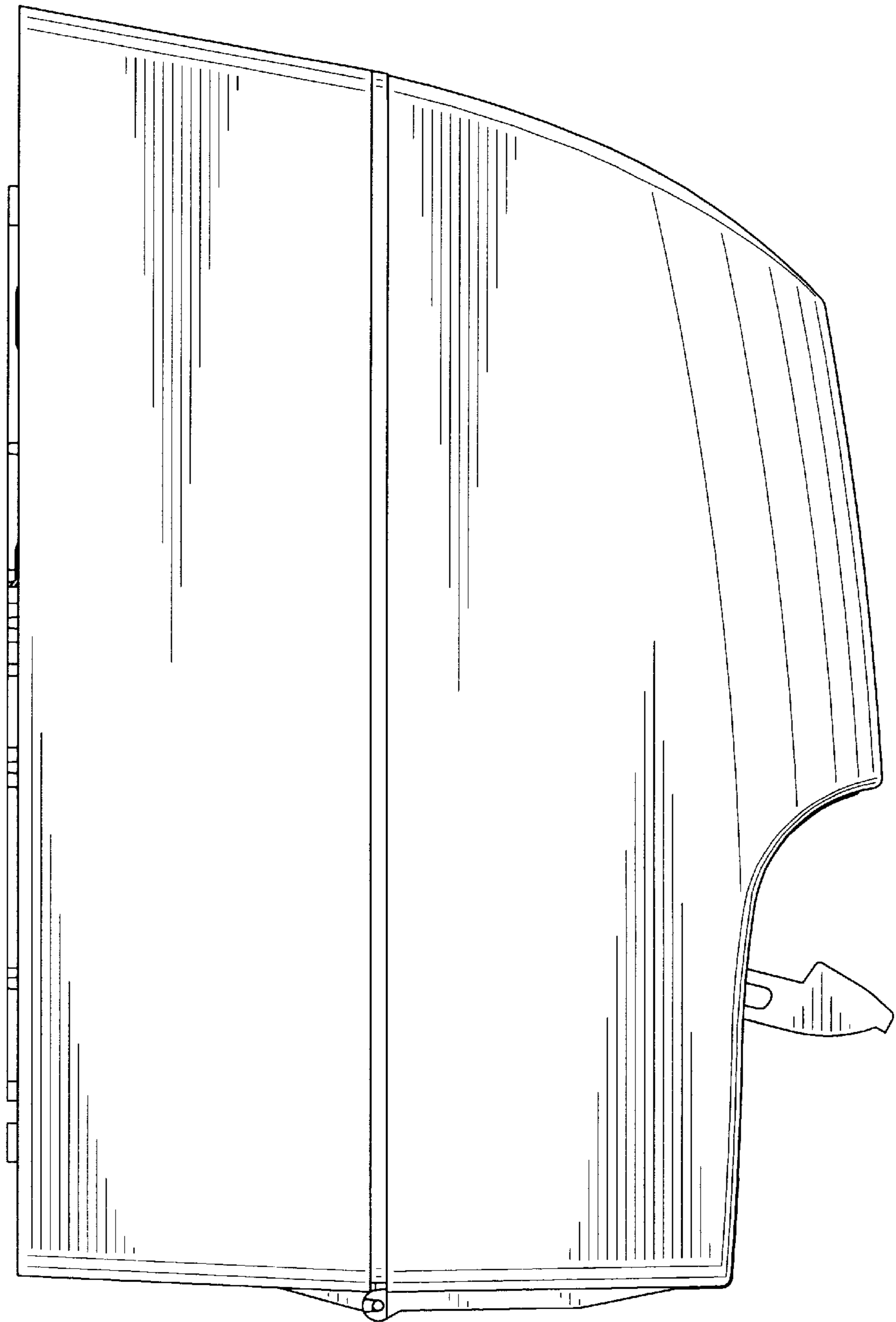




FIG. 5

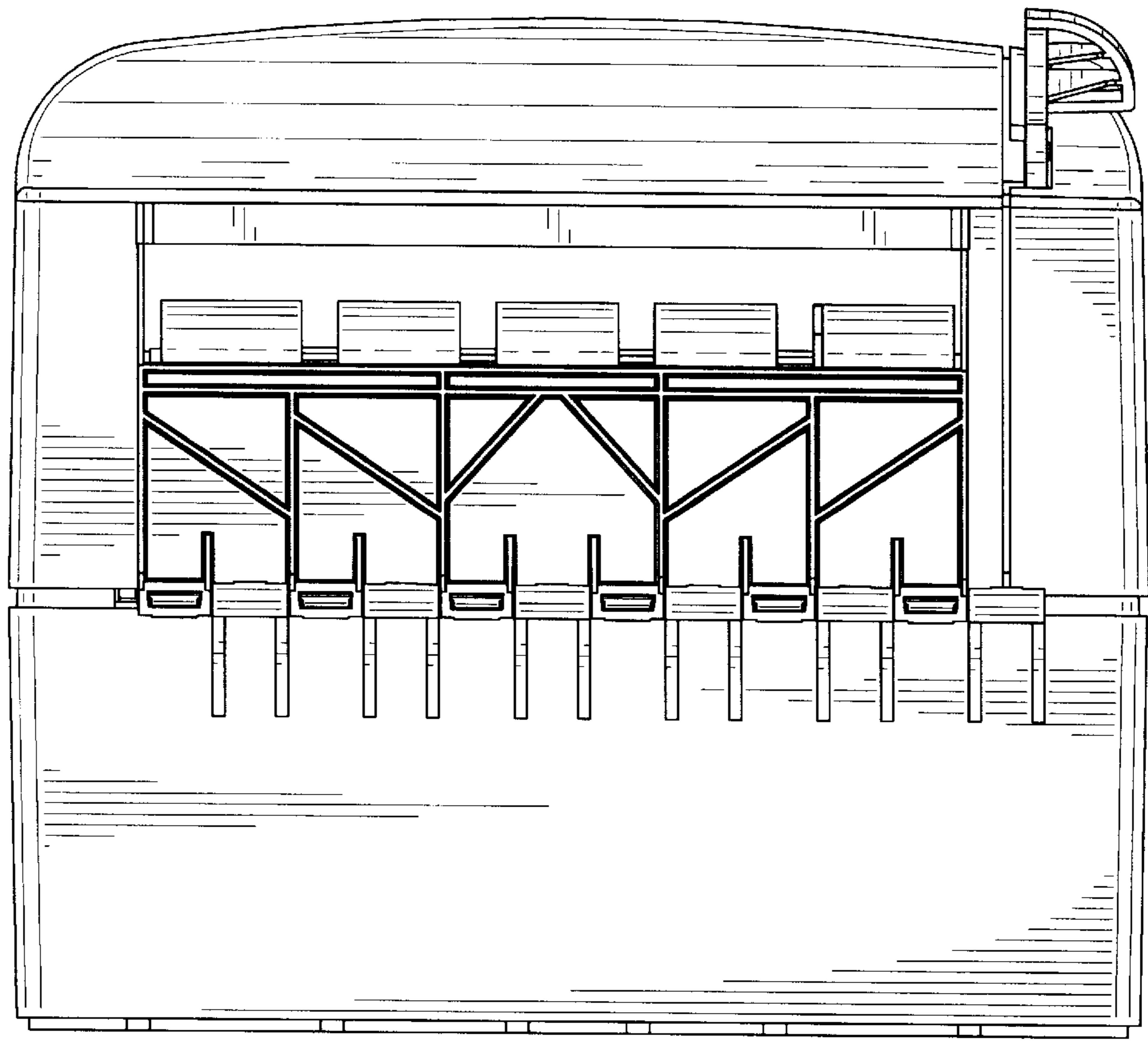


FIG. 6

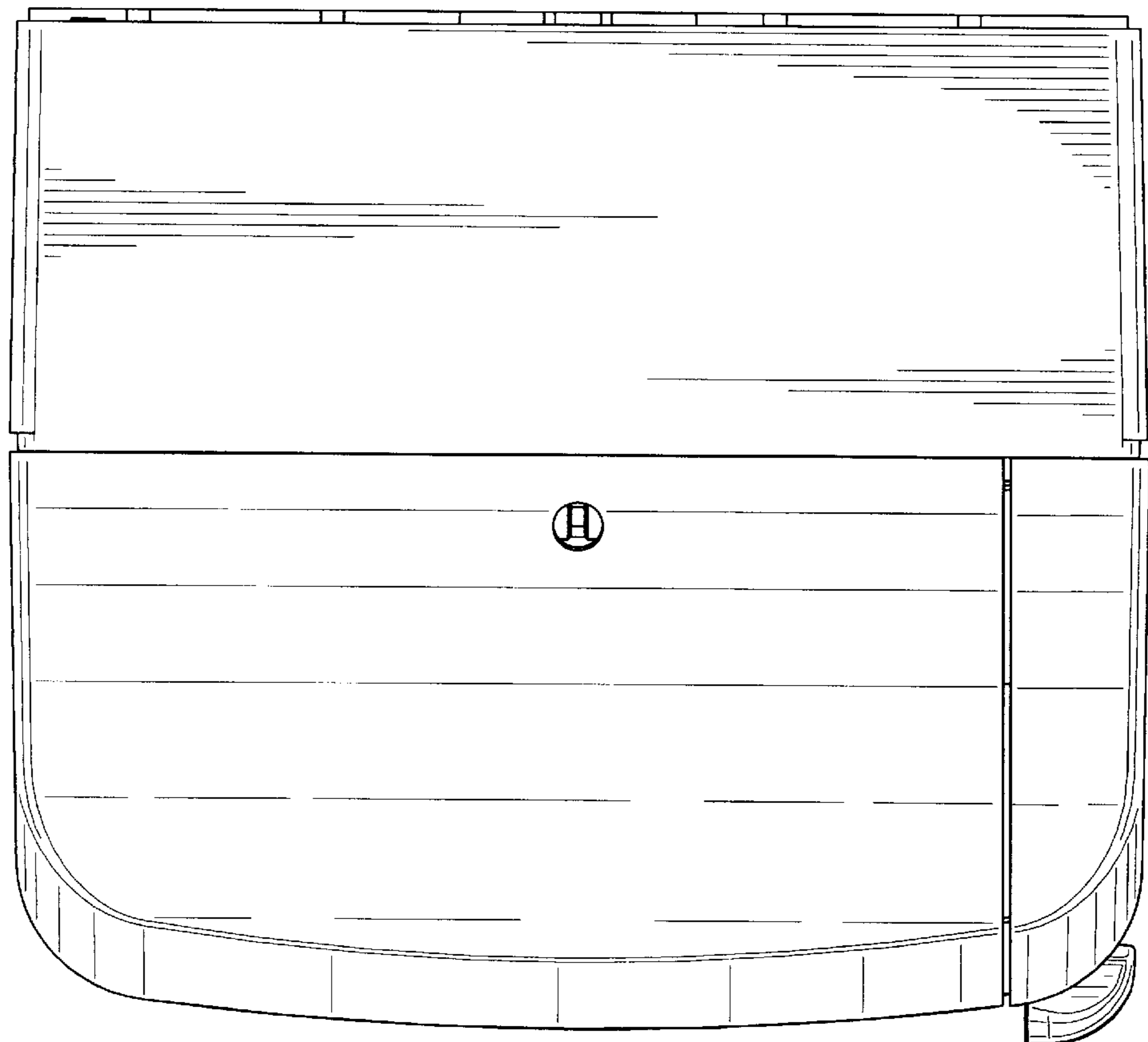


FIG. 7

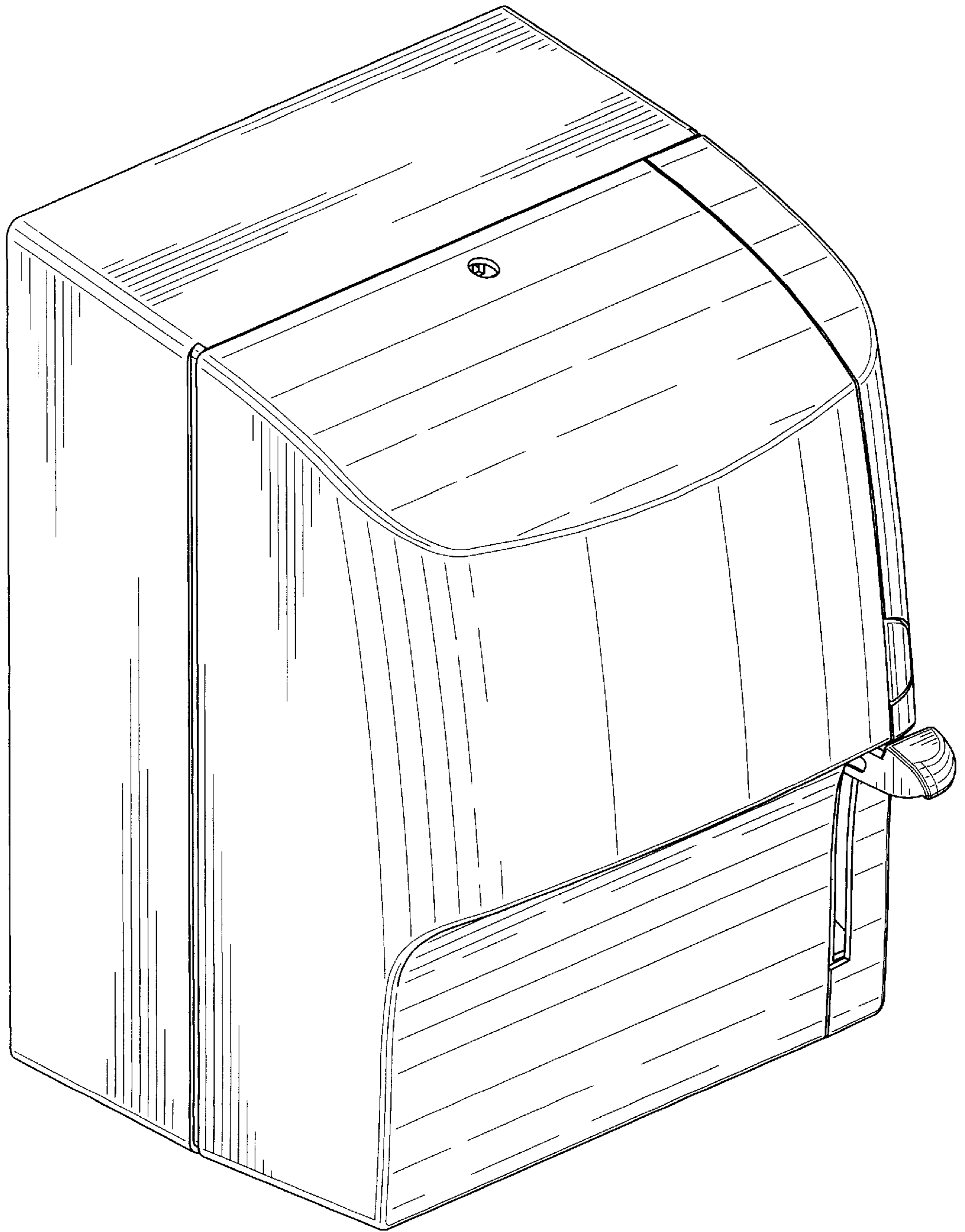


FIG. 8

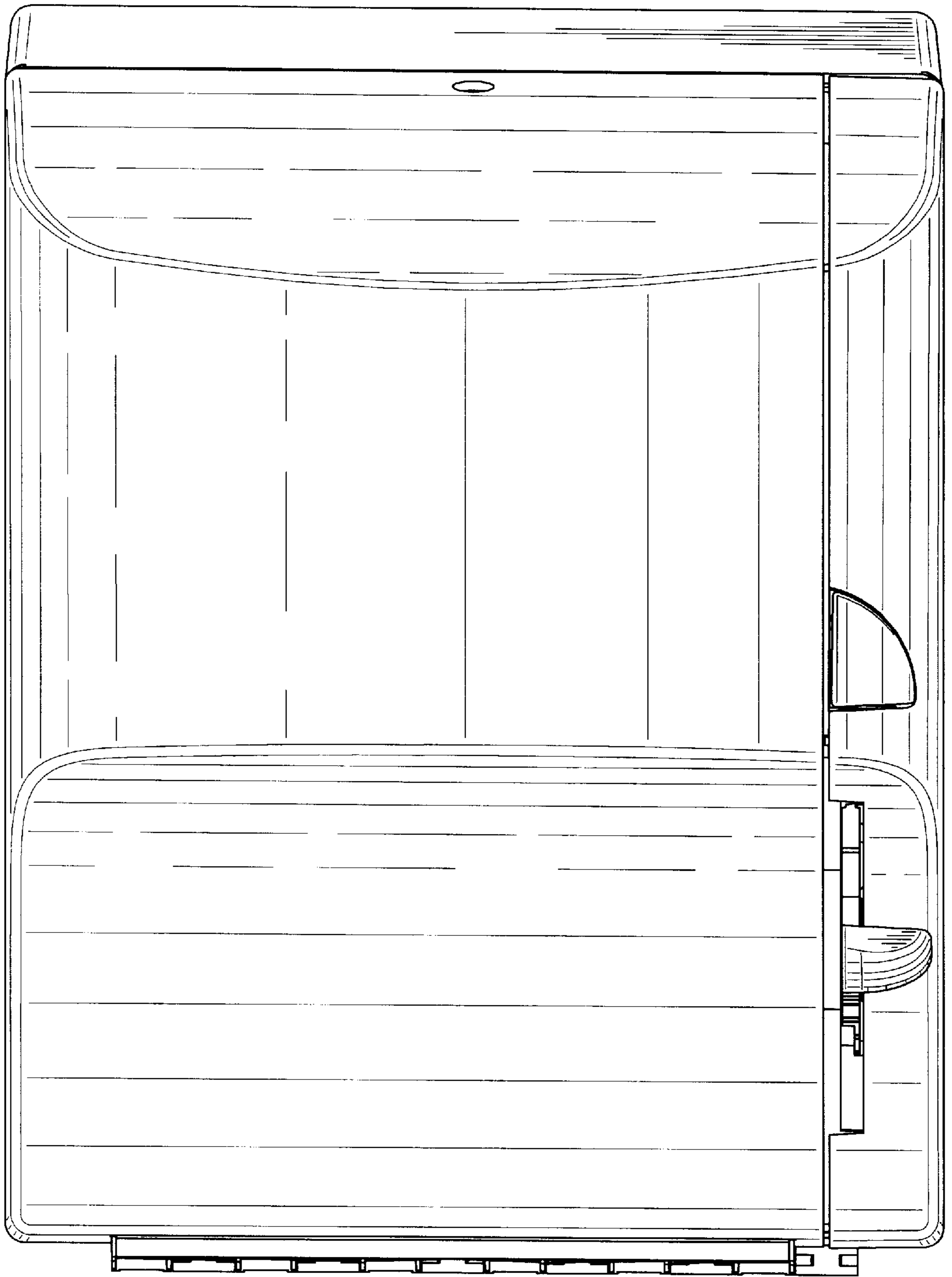




FIG. 9

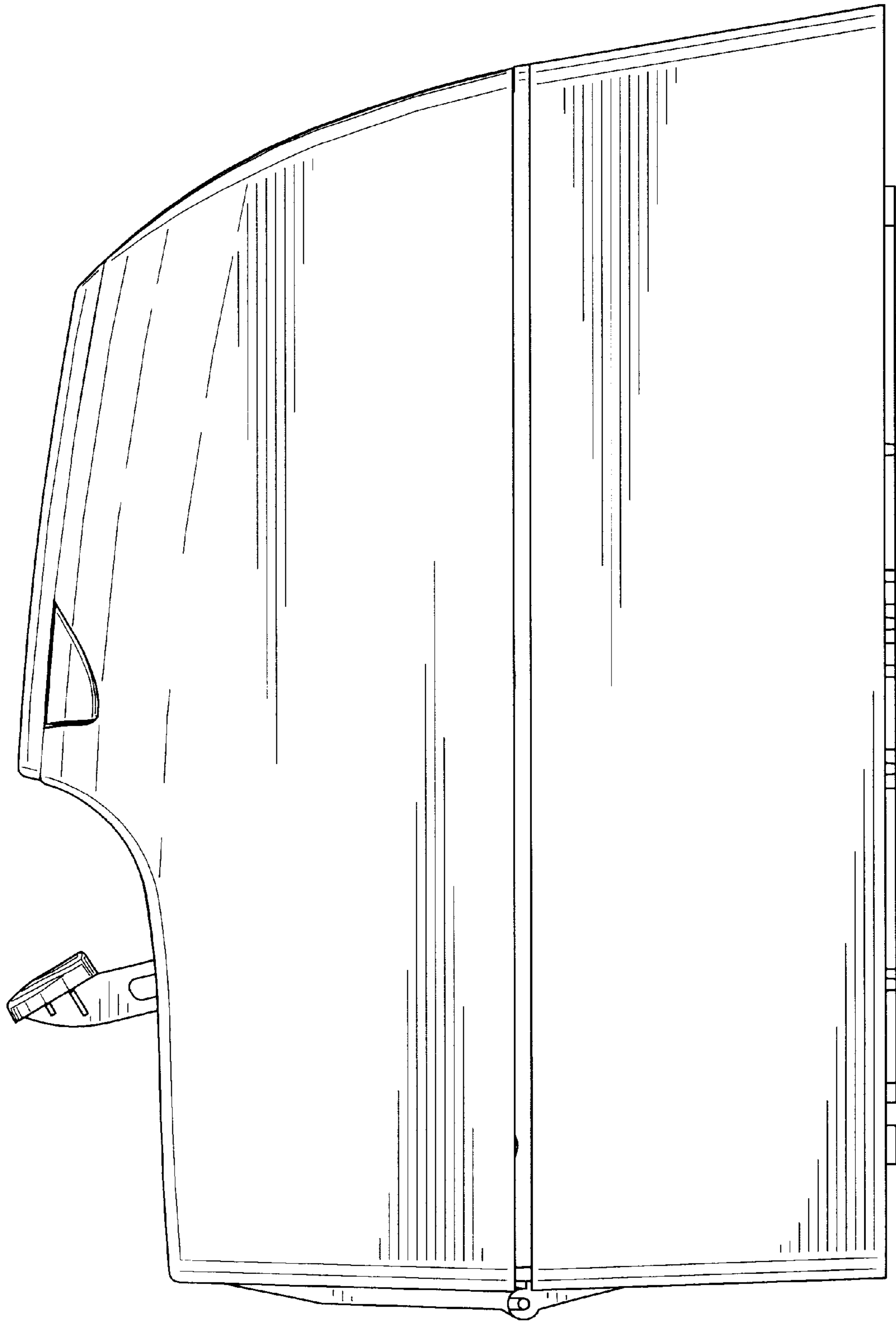


FIG. 10

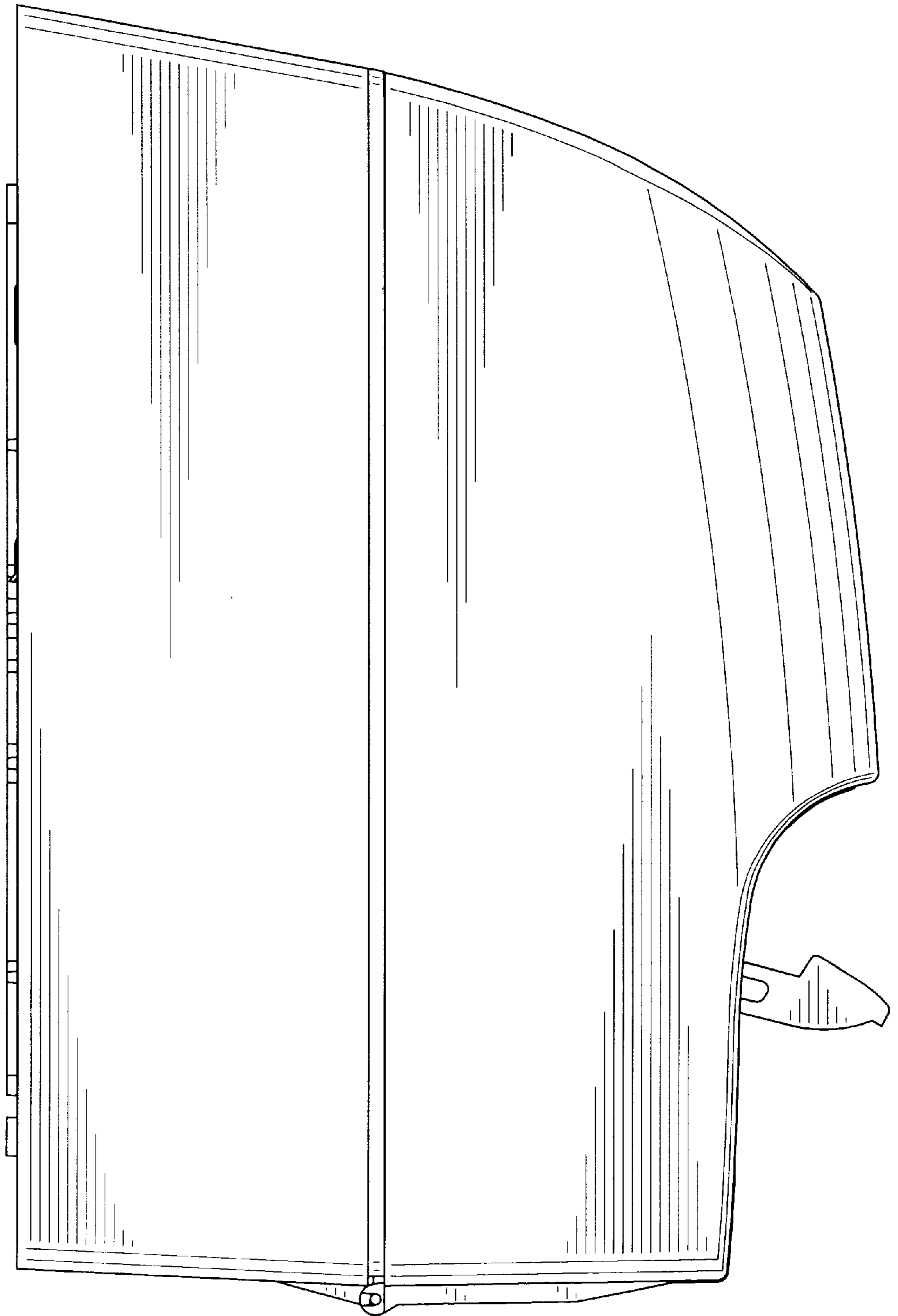


FIG. 11

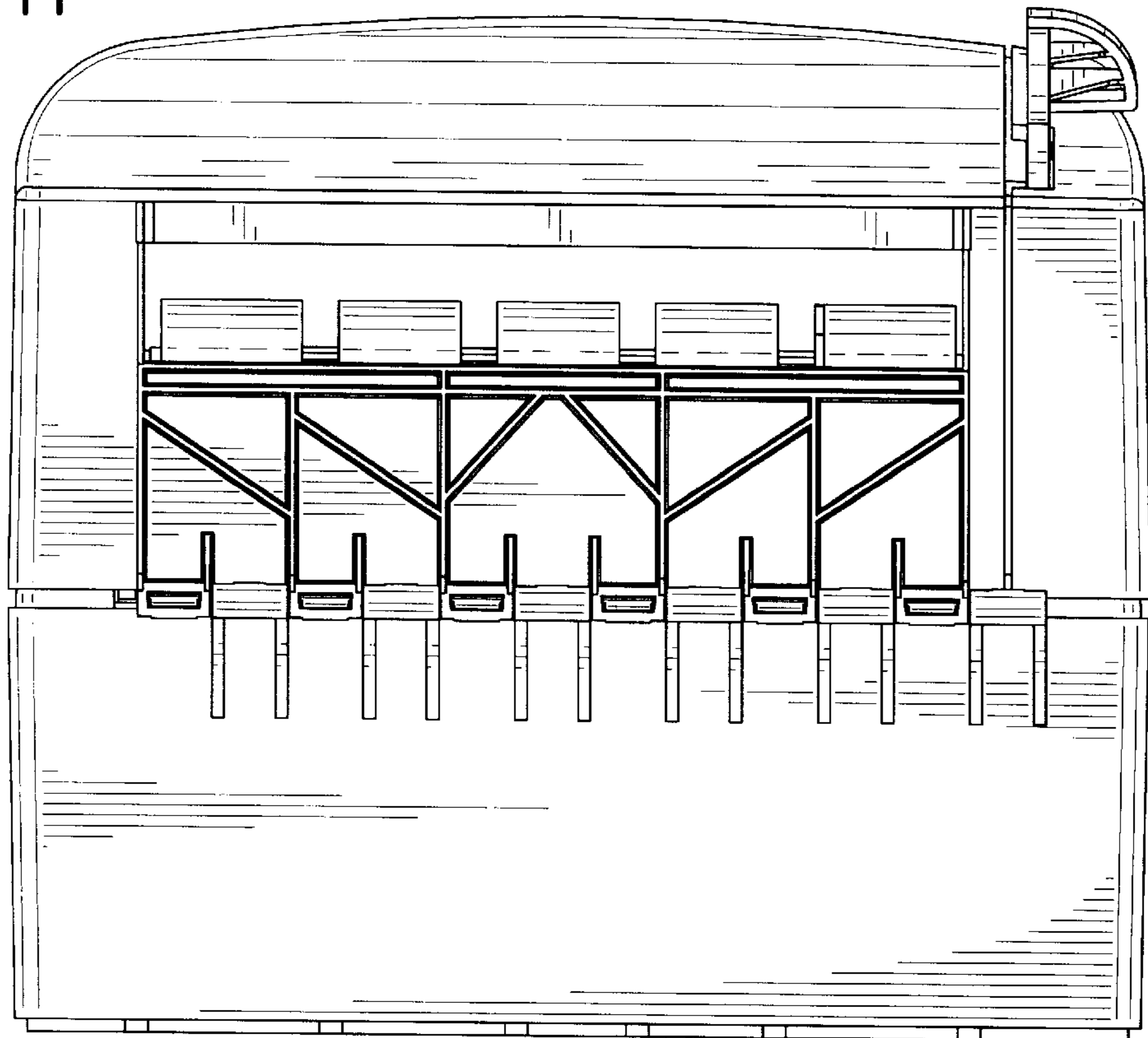


FIG. 12

