



US00D440087S

(12) **United States Design Patent**
Noll

(10) **Patent No.:** **US D440,087 S**

(45) **Date of Patent:** **** Apr. 10, 2001**

(54) **SLATTED TABLE TOP**

(76) Inventor: **Ronald C. Noll**, 25 Fairway Trail,
Moreland Hills, OH (US) 44022

(**) Term: **14 Years**

(21) Appl. No.: **29/119,043**

(22) Filed: **Feb. 23, 2000**

(51) **LOC (7) Cl.** **06-06**

(52) **U.S. Cl.** **D6/511; D6/480**

(58) **Field of Search** D6/480-495, 429-430,
D6/511; 108/150, 151, 153.1, 157.1, 161

(56) **References Cited**

U.S. PATENT DOCUMENTS

- D. 365,732 * 1/1996 Kellen et al. D6/511 X
- D. 412,254 * 7/1999 Gower D6/480

OTHER PUBLICATIONS

Smith and Hawken, p. 33, table.*

* cited by examiner

Primary Examiner—Janice E. Seeger

(74) *Attorney, Agent, or Firm*—Pearne & Gordon LLP

(57) **CLAIM**

The ornamental design for a slatted table top, as shown and described.

DESCRIPTION

FIG. 1 is a perspective view of a first embodiment of a slatted table top having a plurality of slots which extend all the way through the table top, showing my new design; FIG. 2 is a top plan view thereof; FIG. 3 is a front elevational view thereof; FIG. 4 is a right side elevational view thereof, the left side elevational view being identical; FIG. 5 is a bottom plan view thereof; FIG. 6 is a perspective view of a second embodiment of a slatted table top having a plurality of grooves in the top surface of the table top which do not extend all the way through the table top, showing my new design; FIG. 7 is a top plan view thereof; FIG. 8 is a front elevational view thereof; FIG. 9 is a right side elevational view thereof, the left side elevational view being identical; and, FIG. 10 is a bottom plan view thereof.

The broken lines are for environmental purposes only and form no part of the claimed design.

1 Claim, 6 Drawing Sheets

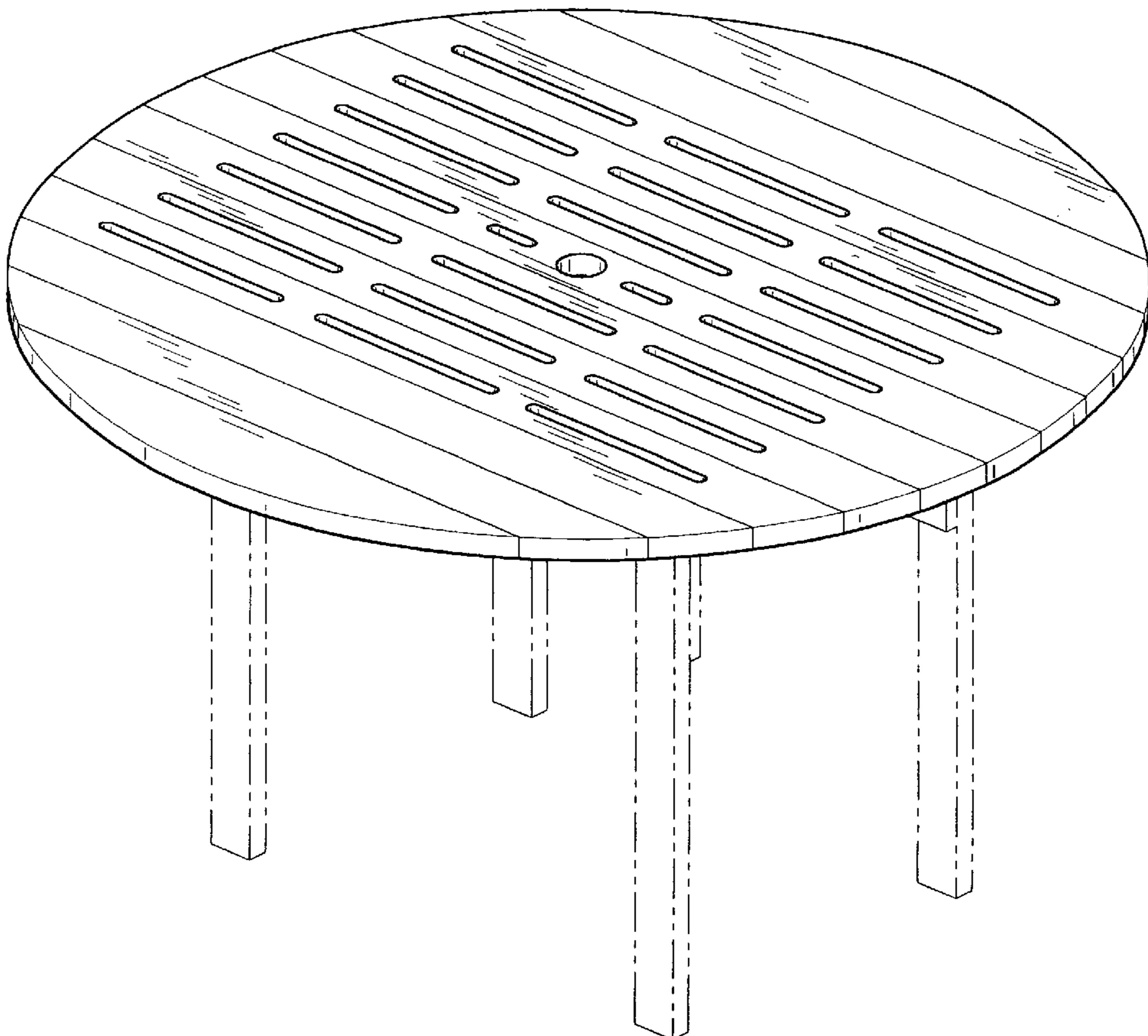
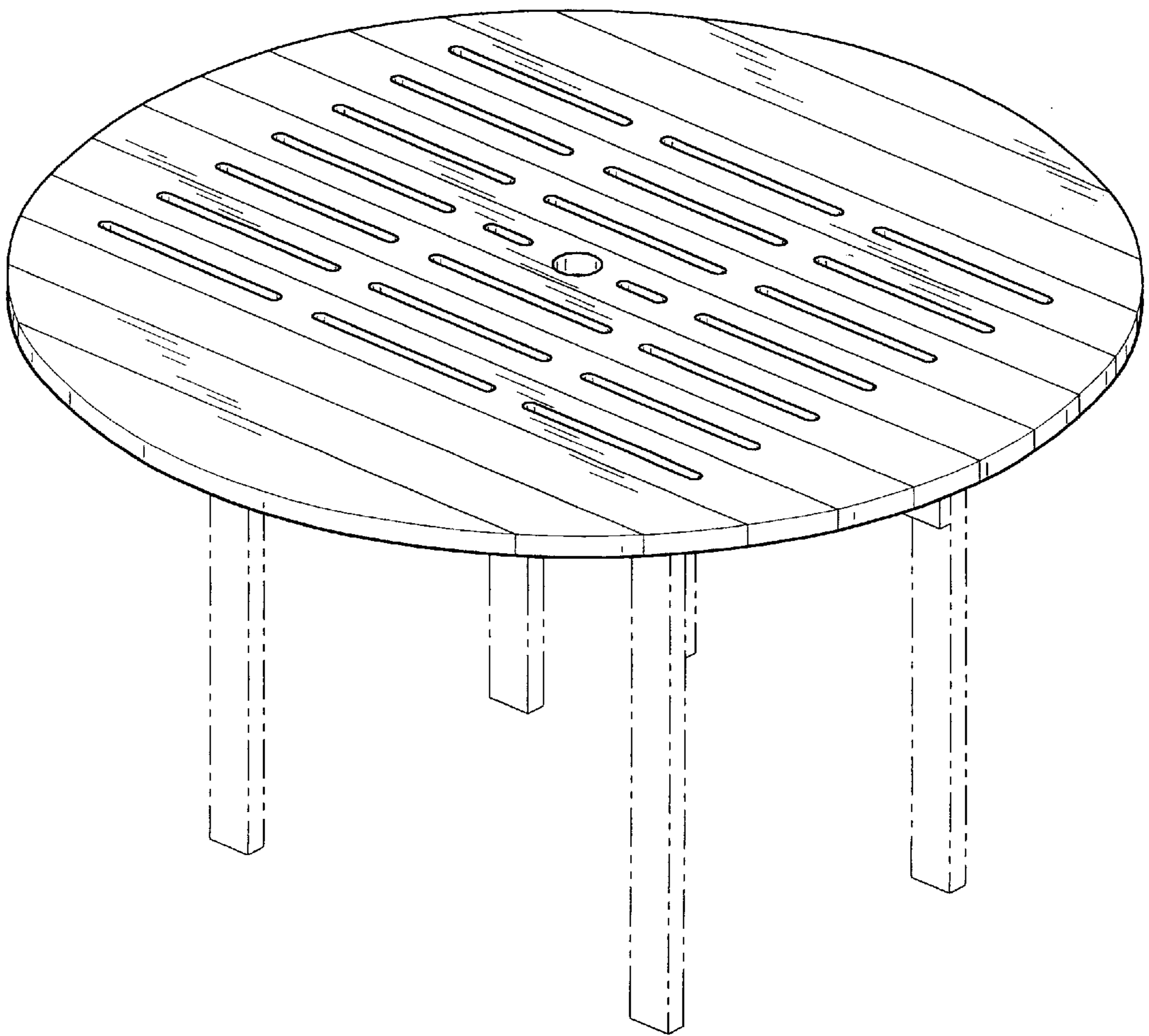


FIG. 1



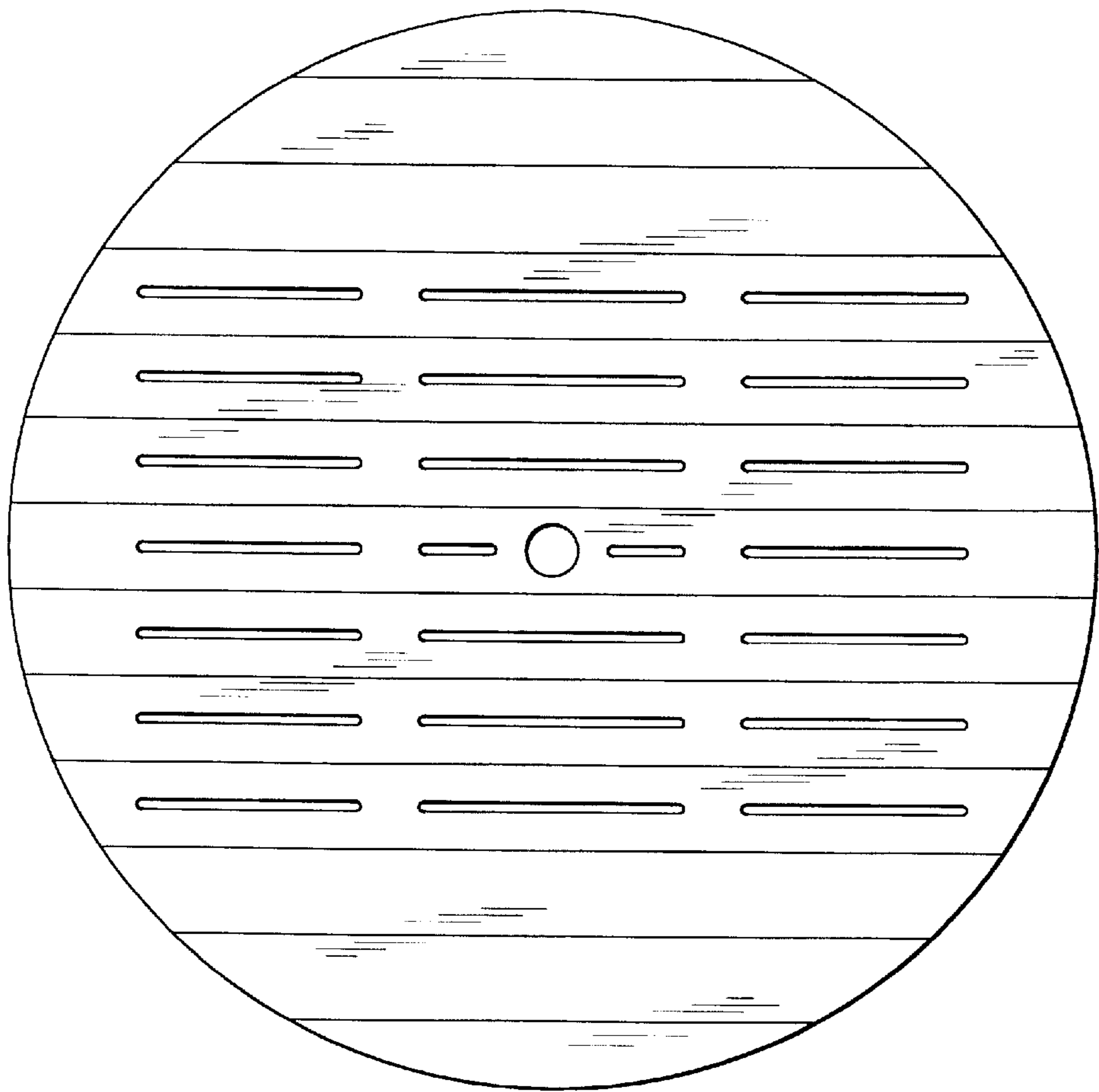


FIG. 2

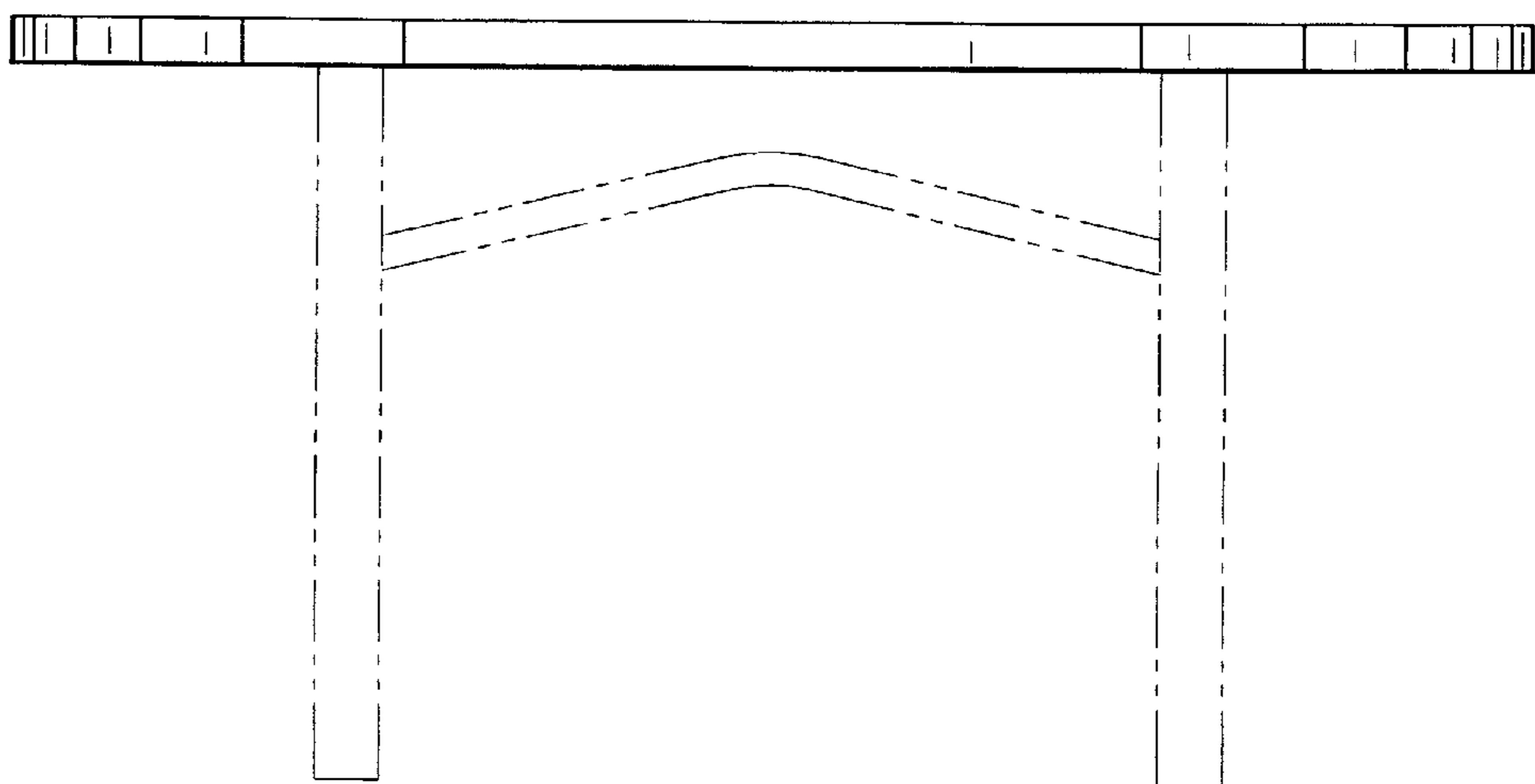


FIG. 4

FIG. 3

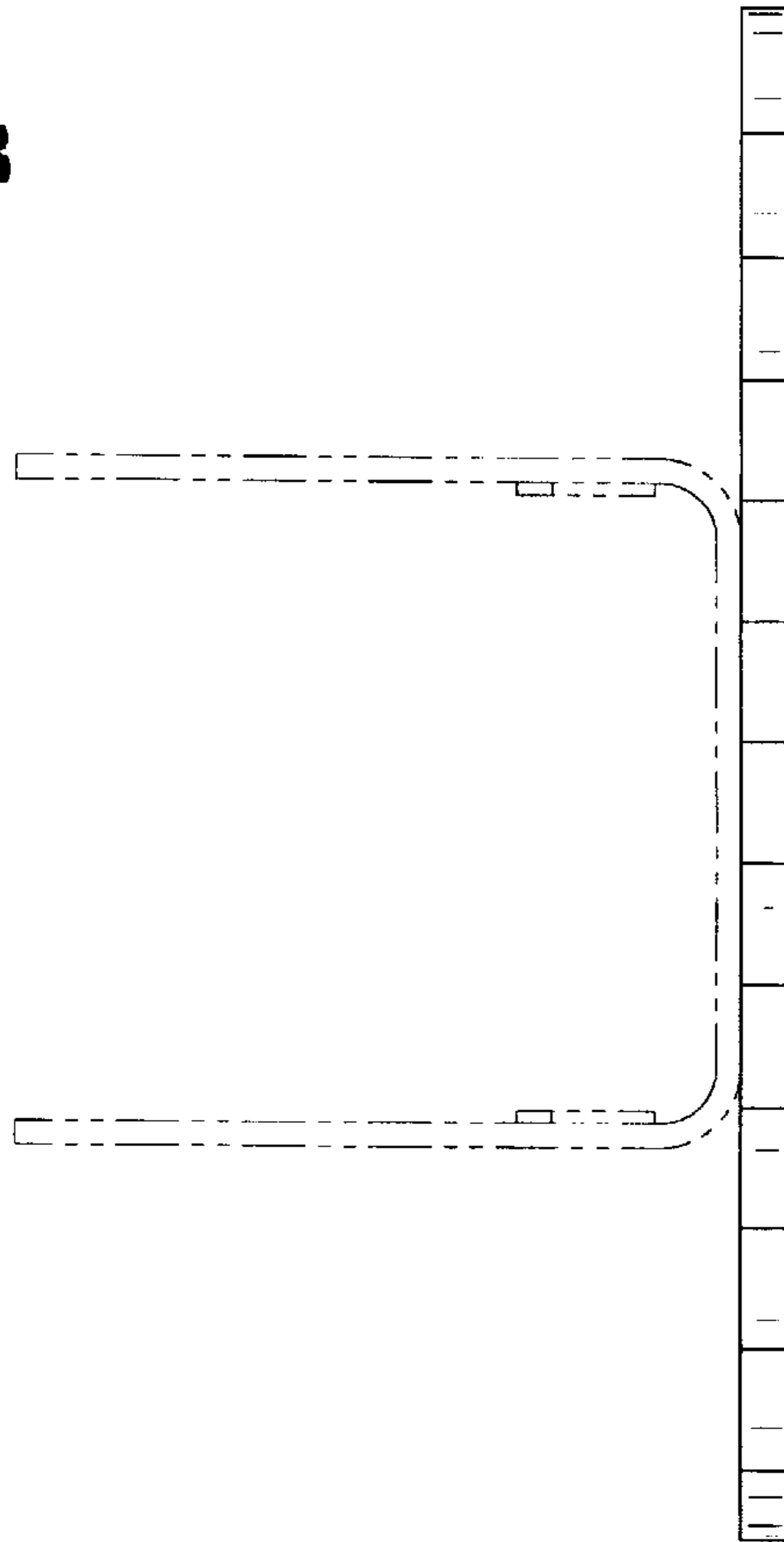


FIG. 5

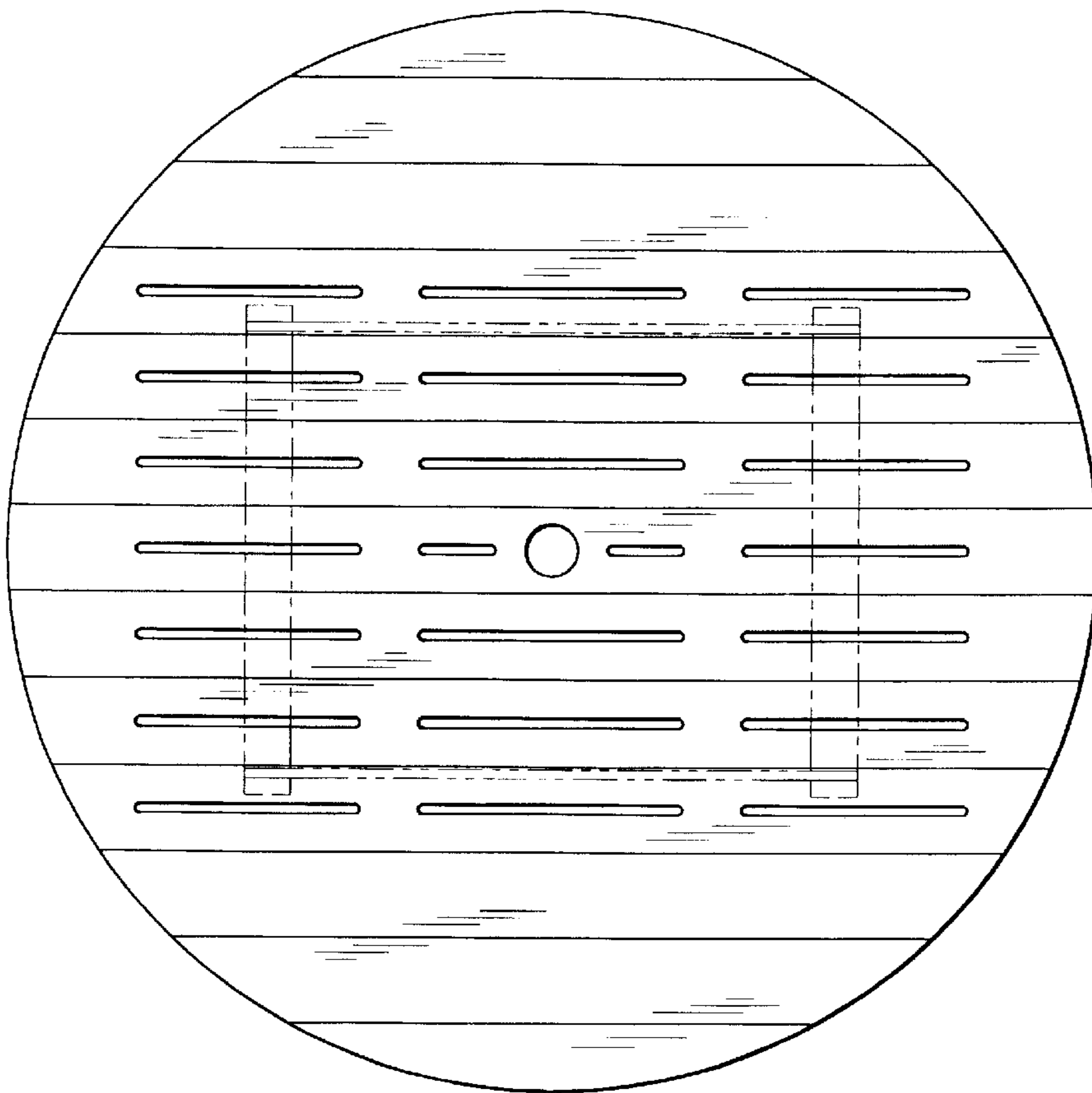
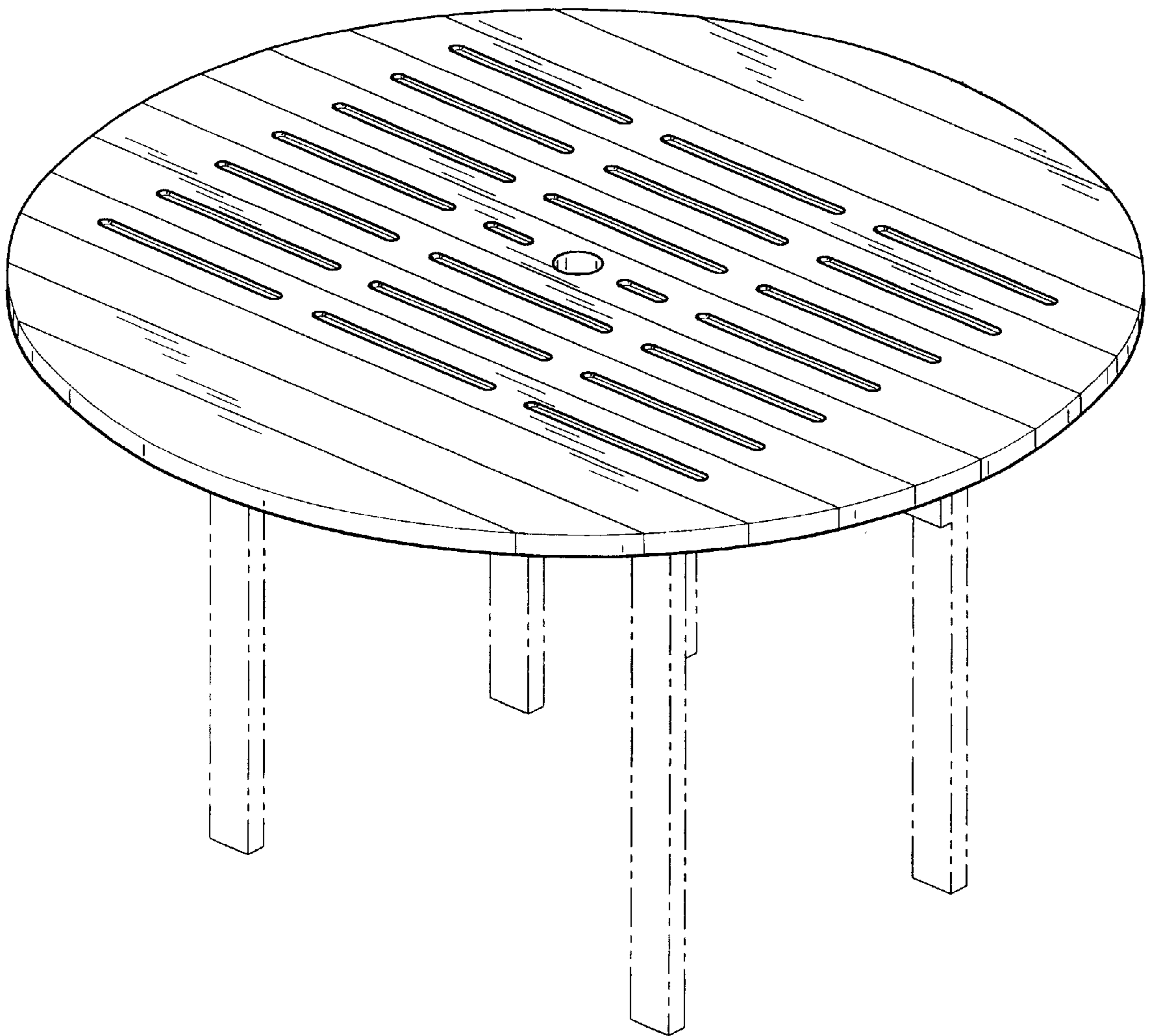


FIG. 6



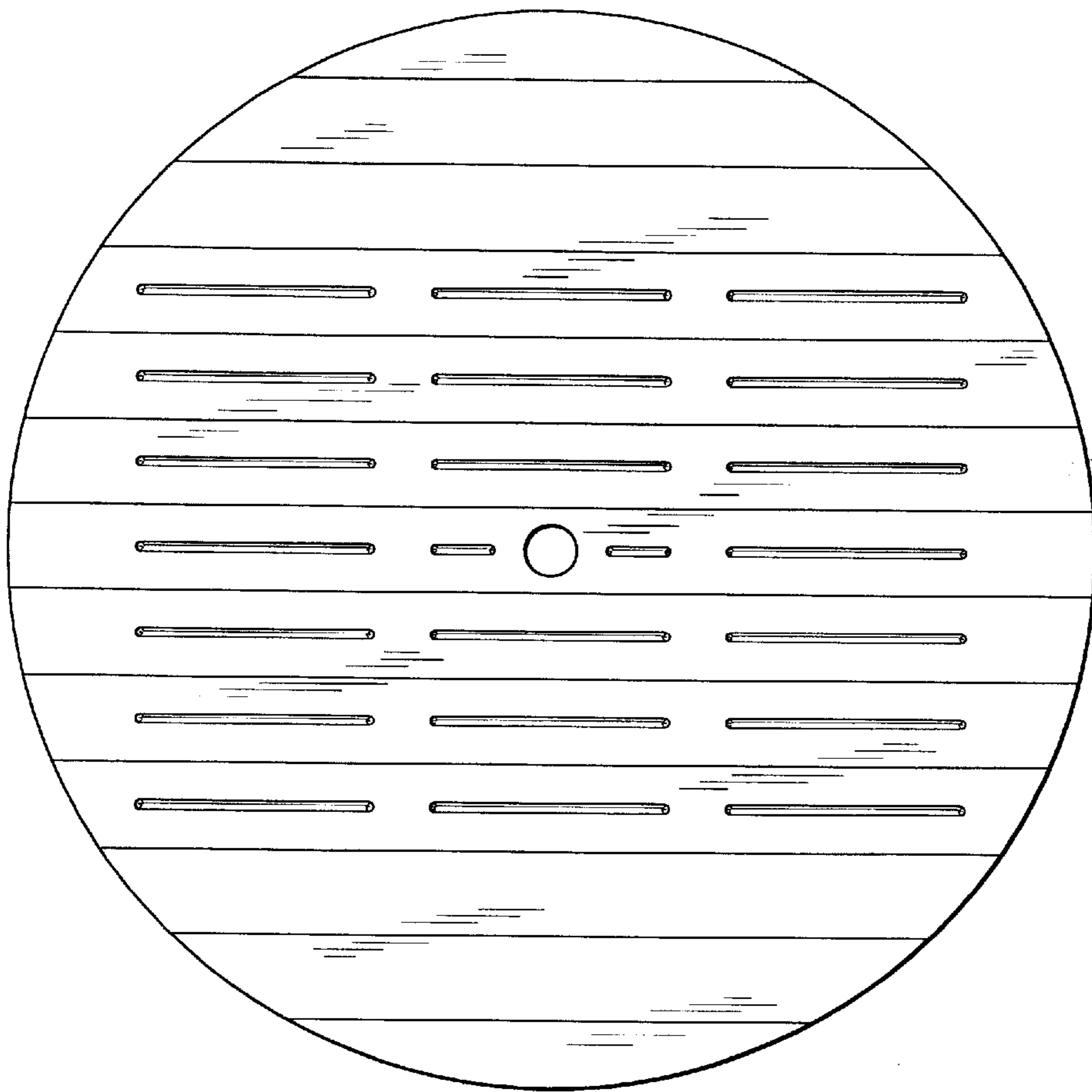


FIG. 7

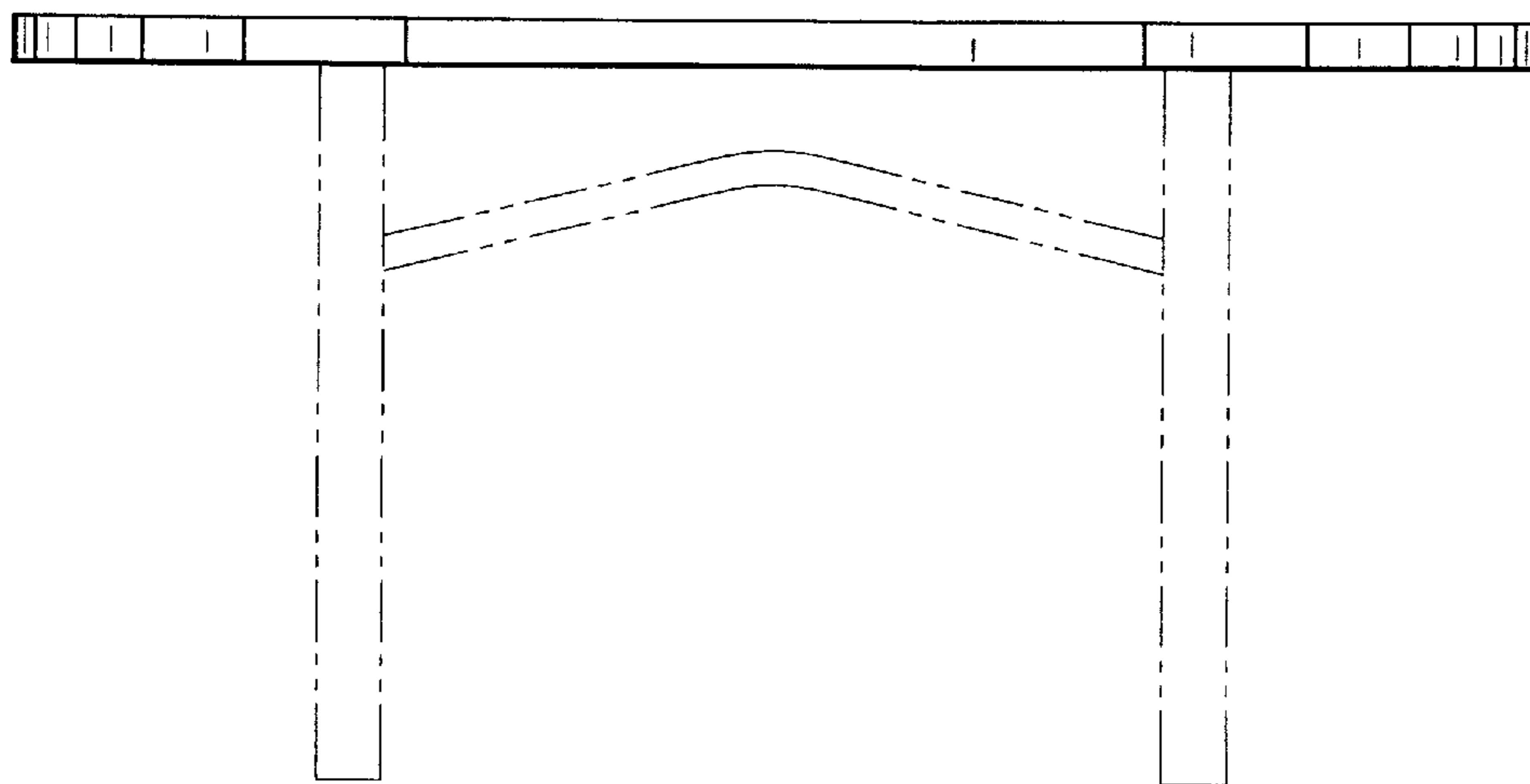


FIG. 9

FIG. 8

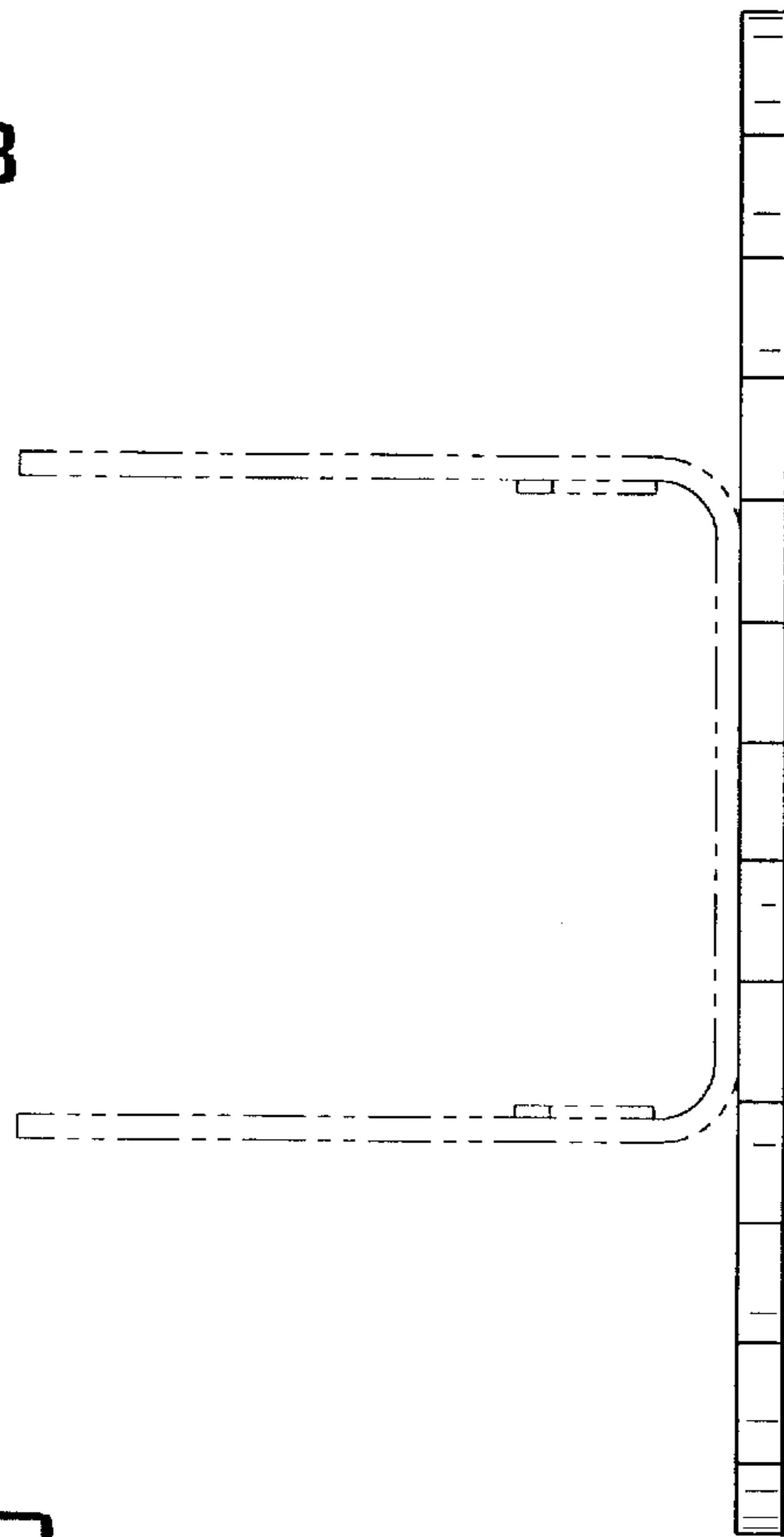


FIG. 10

