



US00D440086S

(12) **United States Design Patent**
Morrow

(10) **Patent No.:** **US D440,086 S**

(45) **Date of Patent:** **** Apr. 10, 2001**

(54) **DOOR**

(75) Inventor: **David P. Morrow**, Winnipeg (CA)

(73) Assignee: **Palliser Furniture Ltd.**, Winnipeg (CA)

(**) Term: **14 Years**

(21) Appl. No.: **29/117,701**

(22) Filed: **Jan. 28, 2000**

(51) **LOC (7) Cl.** **06-04**

(52) **U.S. Cl.** **D6/510; D6/446**

(58) **Field of Search** D6/422, 425, 426,
D6/428, 432, 445, 446, 448, 491, 492,
510; 312/117, 119, 120, 138.1, 198, 199,
204, 326

(56) **References Cited**

U.S. PATENT DOCUMENTS

- D. 100,999 * 8/1936 Jiranek D6/428
- D. 101,222 * 9/1936 Jiranek D6/446
- D. 154,920 * 8/1949 Guild et al. D6/446
- D. 165,554 * 12/1951 Schukat D6/446 X
- D. 384,265 * 9/1997 Saravis D8/300
- D. 416,404 * 11/1999 Patel et al. D6/446

D. 417,350 * 12/1999 Zaidman D6/510

* cited by examiner

Primary Examiner—Cathron Brooks

(74) *Attorney, Agent, or Firm*—Barnes & Thornburg

(57) **CLAIM**

The design for a door, as shown and described.

DESCRIPTION

FIG. 1 is a front, right side perspective view of the design, the left side perspective view is a mirror image;

FIG. 2 is a front view of the design;

FIG. 3 is a top plan view of the design;

FIG. 4 is a left side view of the design, and the right side view being a mirror image;

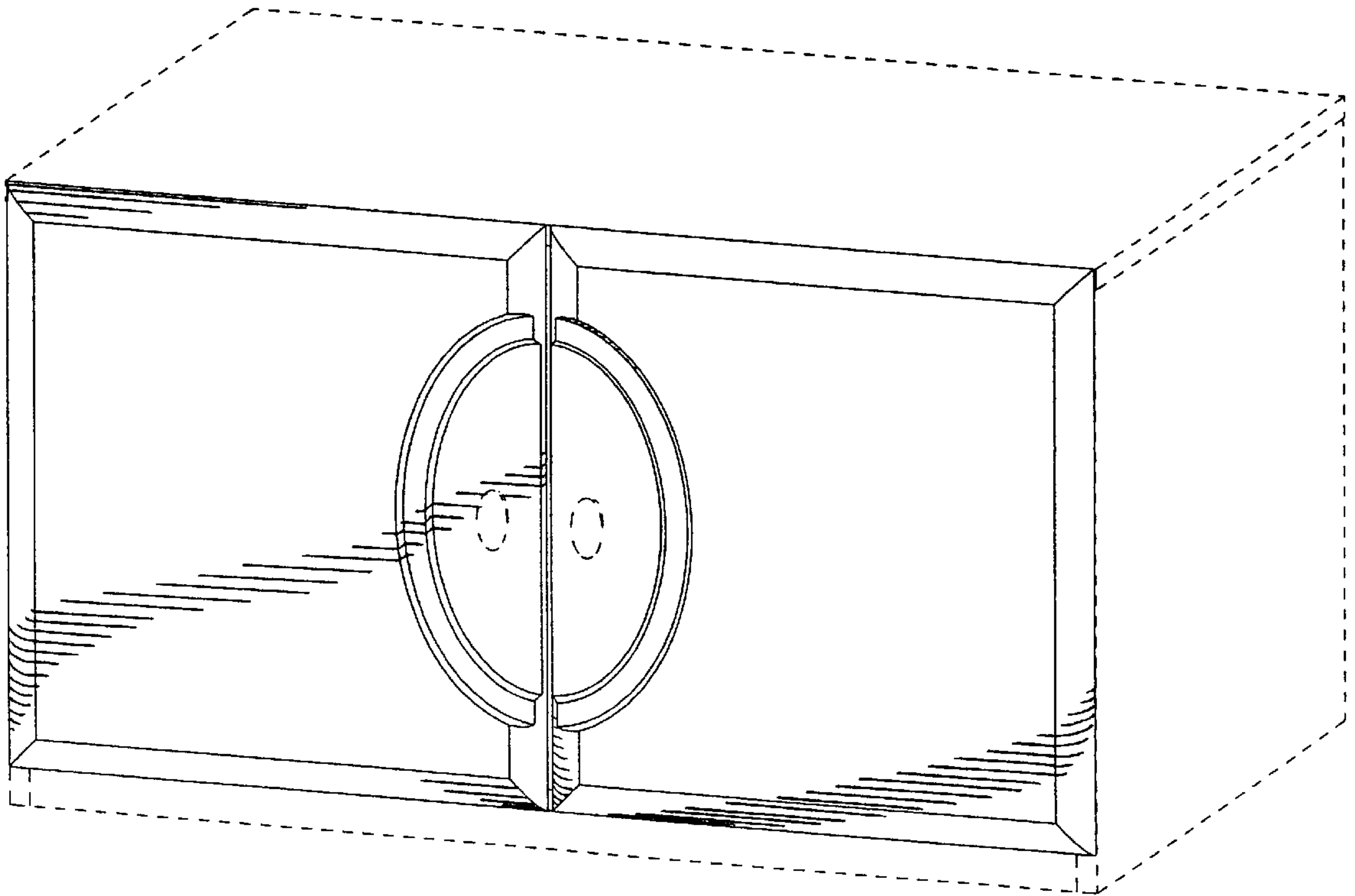
FIG. 5 is an enlarged front view of the left portion, the right portion of the first embodiment being a mirror image;

FIG. 6 is a cross-section taken through the lines 6—6 of FIG. 5; and,

FIG. 7 is a second cross-section taken through the lines 7—7 of FIG. 5.

The features shown in broken lines do not form part of the claimed design.

1 Claim, 5 Drawing Sheets



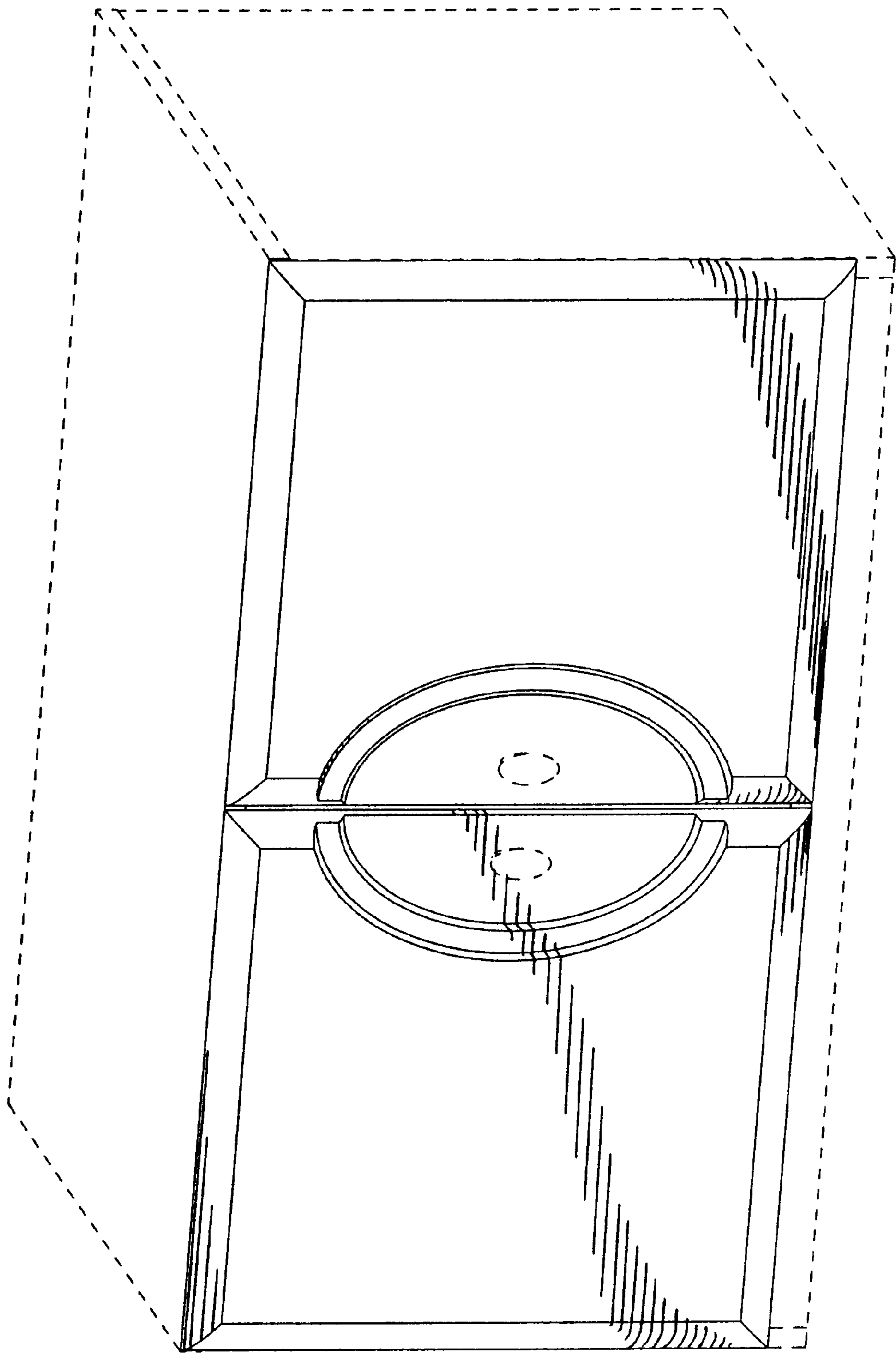


FIG. 1

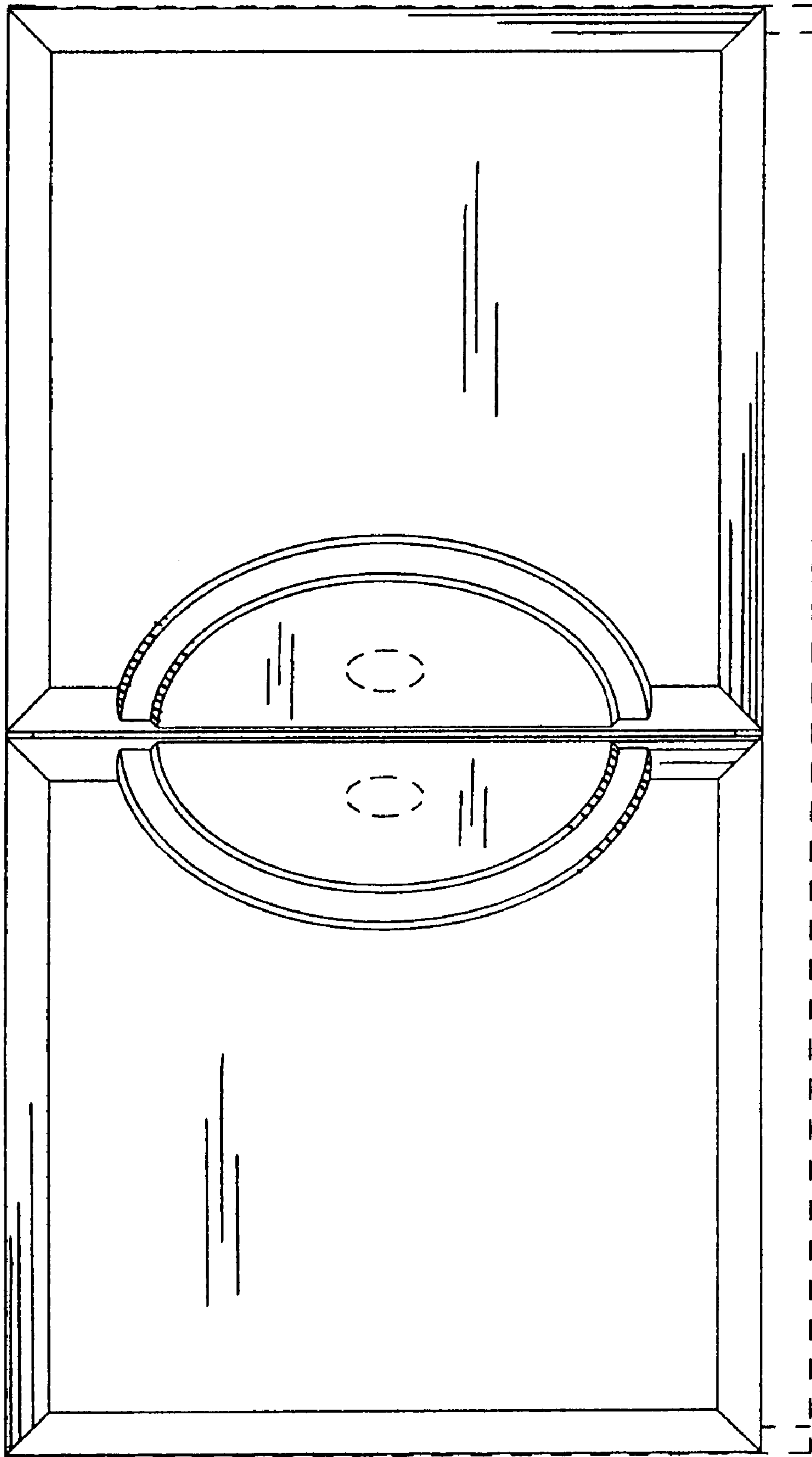


FIG. 2

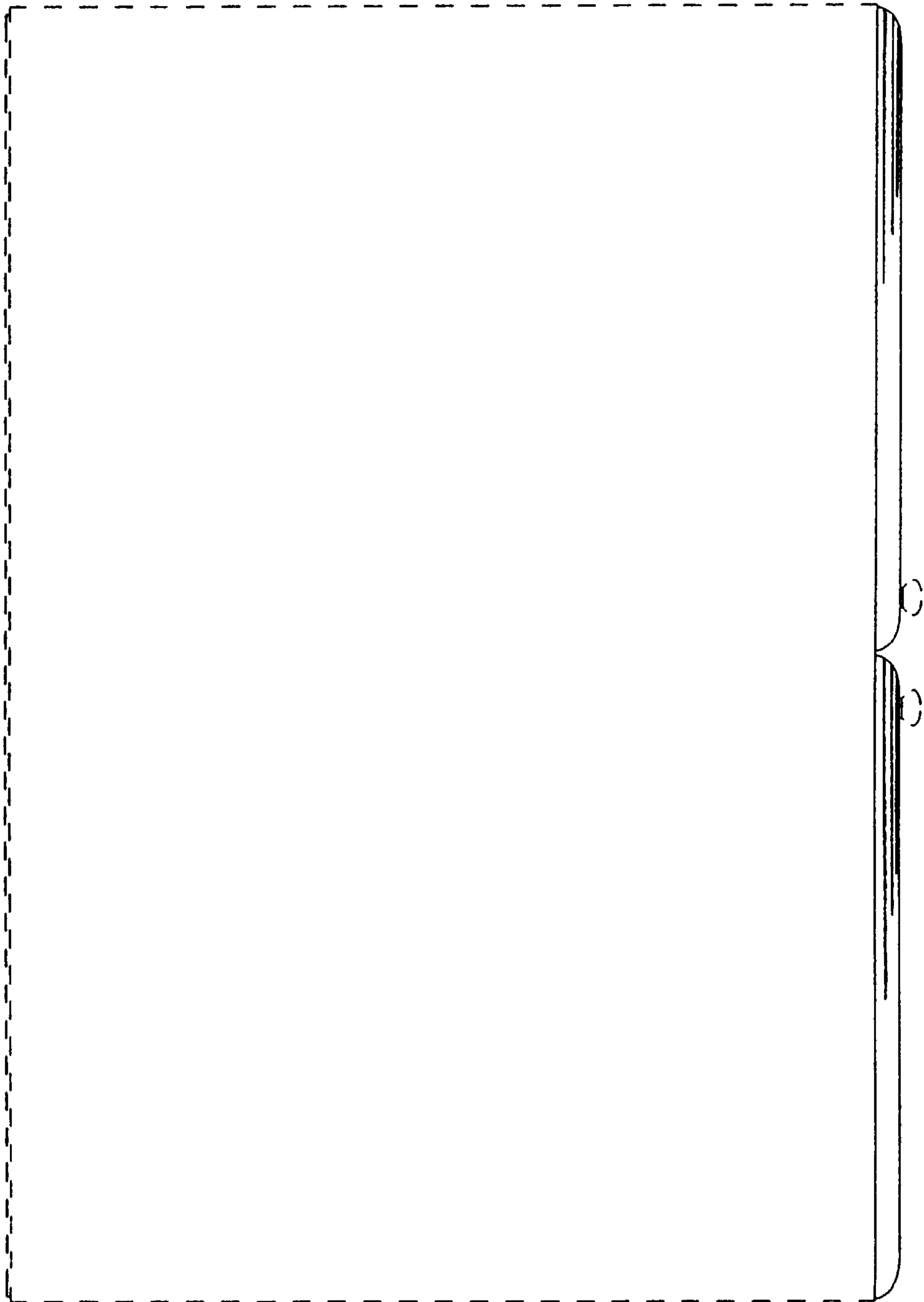


FIG. 3



FIG. 4

FIG. 7



FIG. 6

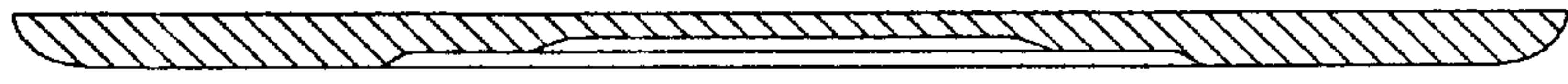


FIG. 5

