



US00D440085S

(12) **United States Design Patent**
Mintz et al.

(10) **Patent No.:** **US D440,085 S**

(45) **Date of Patent:** **** Apr. 10, 2001**

(54) **REAR LEGS AND UPPER CROSS CONNECTIONS FOR A CHAIR**

(75) Inventors: **Stanley Mintz; James Nopper**, both of Woodbridge (CA)

(73) Assignee: **Reflections Furniture Industries Ltd.**, Woodbridge (CA)

(**) Term: **14 Years**

(21) Appl. No.: **29/116,894**

(22) Filed: **Jan. 13, 2000**

(51) **LOC (7) Cl.** **06-06**

(52) **U.S. Cl.** **D6/502**

(58) **Field of Search** D6/334, 335, 369, D6/370, 374, 375, 376, 379, 380, 500-502; 297/411.42, 411.43, 446.1, 446.2, 452.63

(56) **References Cited**

U.S. PATENT DOCUMENTS

D. 52,419	*	9/1918	Wanner, Jr.	D6/502
D. 74,085	*	12/1927	Wanner	D6/502
D. 177,714	*	5/1956	Carr	D6/374
D. 182,388	*	3/1958	Sigal	D6/502
D. 200,535	*	3/1965	Jakobsen	D6/379
D. 209,045	*	10/1967	Parker	D6/380
D. 334,099	*	3/1993	Yeh	D6/370
D. 349,197	*	8/1994	Stone et al.	D6/380
D. 349,413	*	8/1994	Stone et al.	D6/380

D. 371,913	*	7/1996	Arcese et al.	D6/379
D. 394,176	*	5/1998	Diramarian	D6/374
D. 396,571	*	8/1998	Diramarian	D6/374
D. 397,260	*	8/1998	Diramarian	D6/380
D. 408,644	*	4/1999	Muller	D6/376
D. 414,619	*	10/1999	Diramarian	D6/374
D. 428,723	*	8/2000	Wistehuff, Sr.	D6/334
D. 429,911	*	8/2000	Bartimae	D6/380
464,996	*	12/1891	Rouse	297/452.63

* cited by examiner

Primary Examiner—Doris V. Coles

Assistant Examiner—Mimosa De

(74) *Attorney, Agent, or Firm*—Bereskin & Parr

(57) **CLAIM**

The ornamental design for rear legs and upper cross connections for a chair, as shown and described.

DESCRIPTION

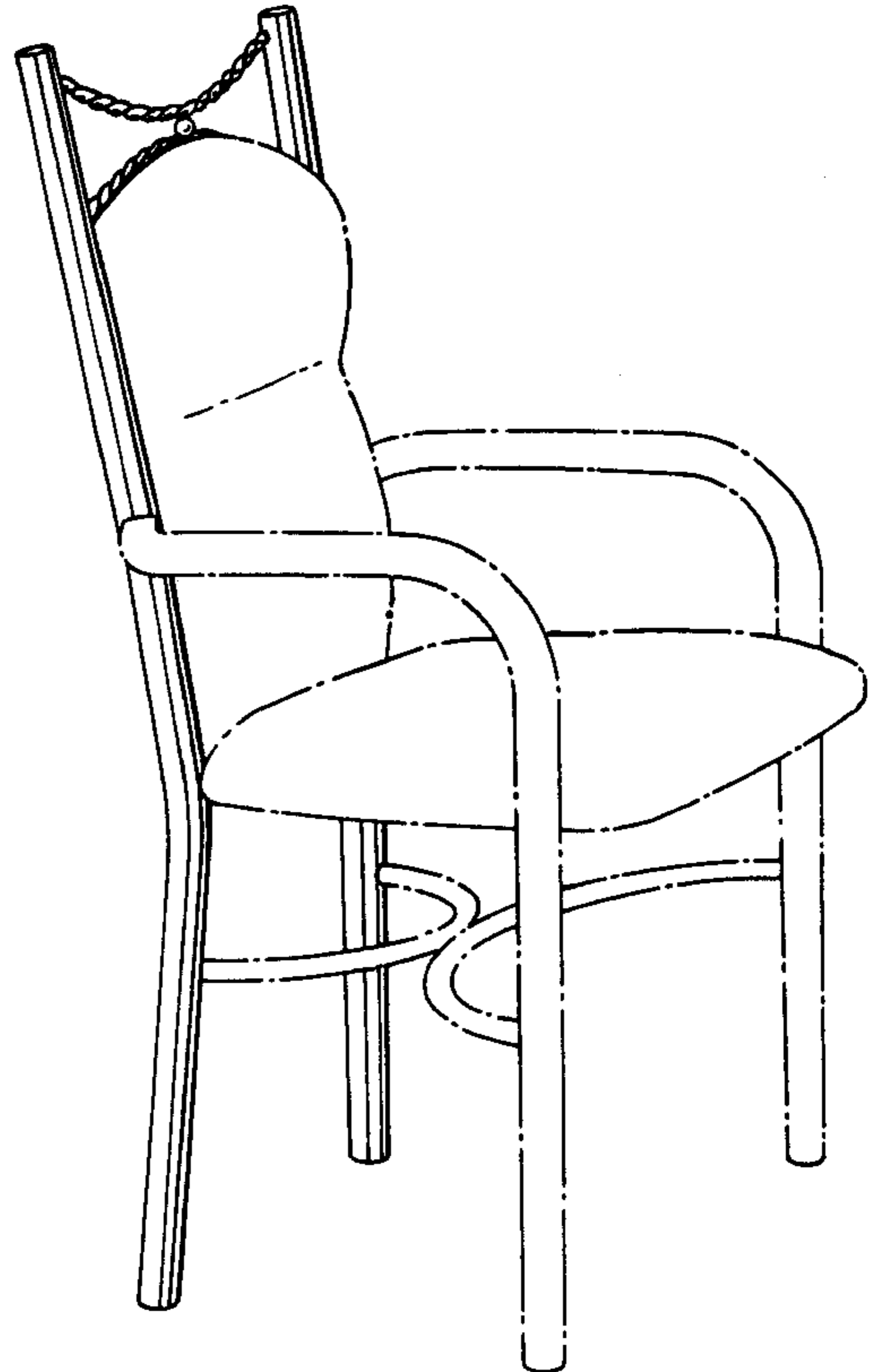
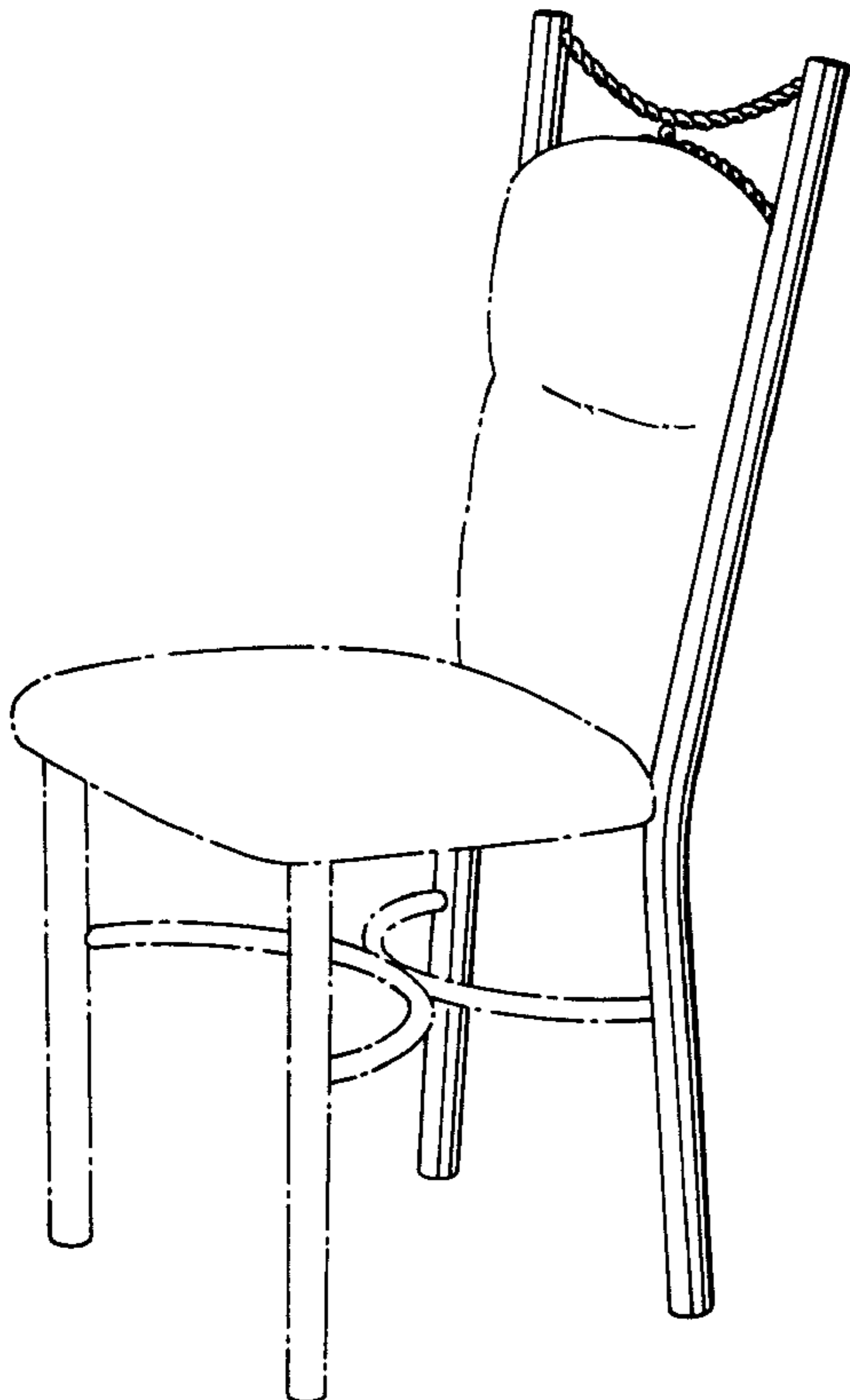
FIG. 1 is a front perspective view of rear legs and upper cross connections for a chair showing my new design wherein the broken line showing of an armless chair is for illustrative purposes only and forms no part of the claimed design;

FIG. 2 is a front perspective view thereof wherein broken line showing of a chair with arms is for illustrative purposes only and forms no part of the claimed design;

FIG. 3 is a rear perspective view of FIG. 1; and,

FIG. 4 is a rear view of FIG. 1.

1 Claim, 2 Drawing Sheets



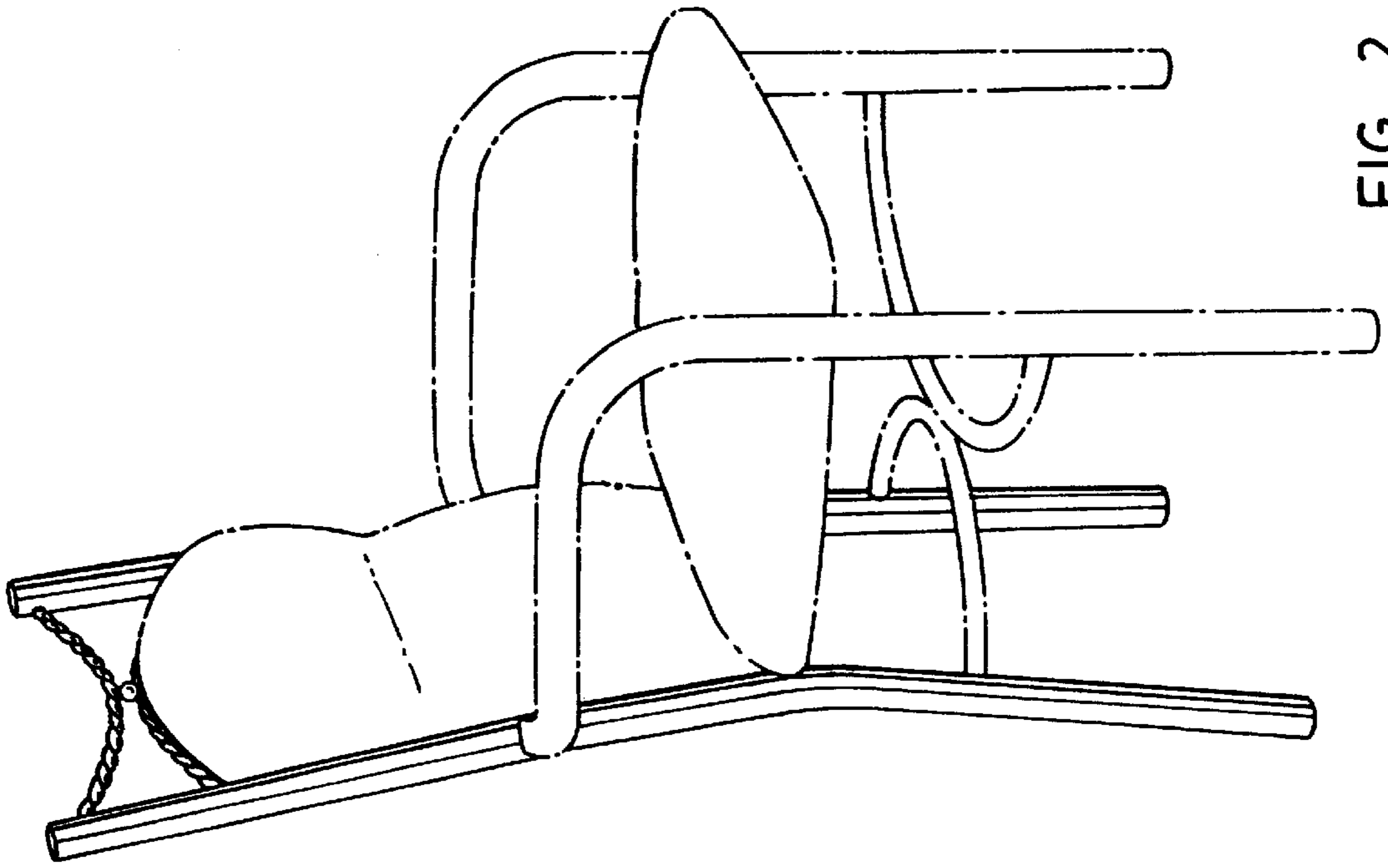


FIG. 2

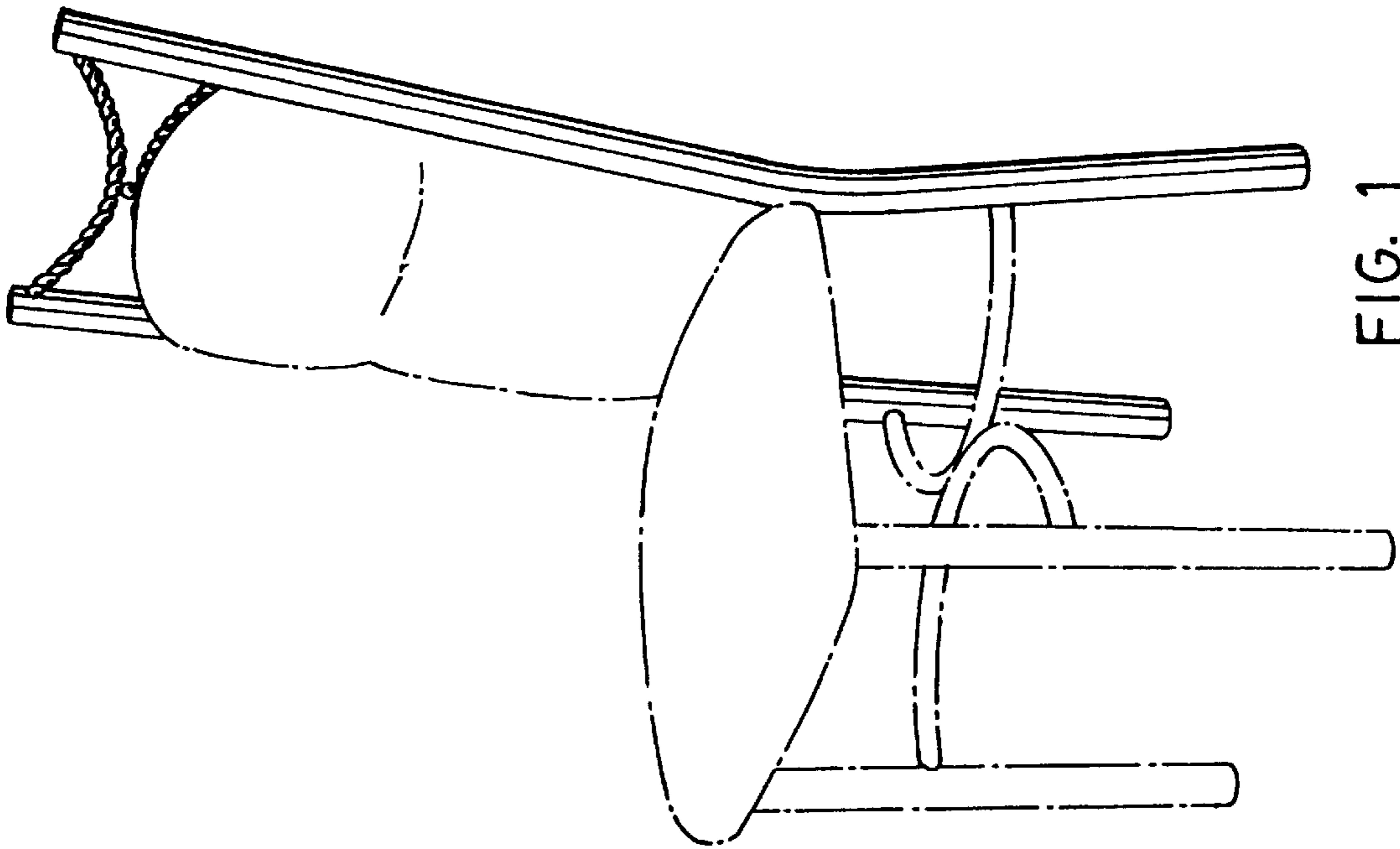


FIG. 1

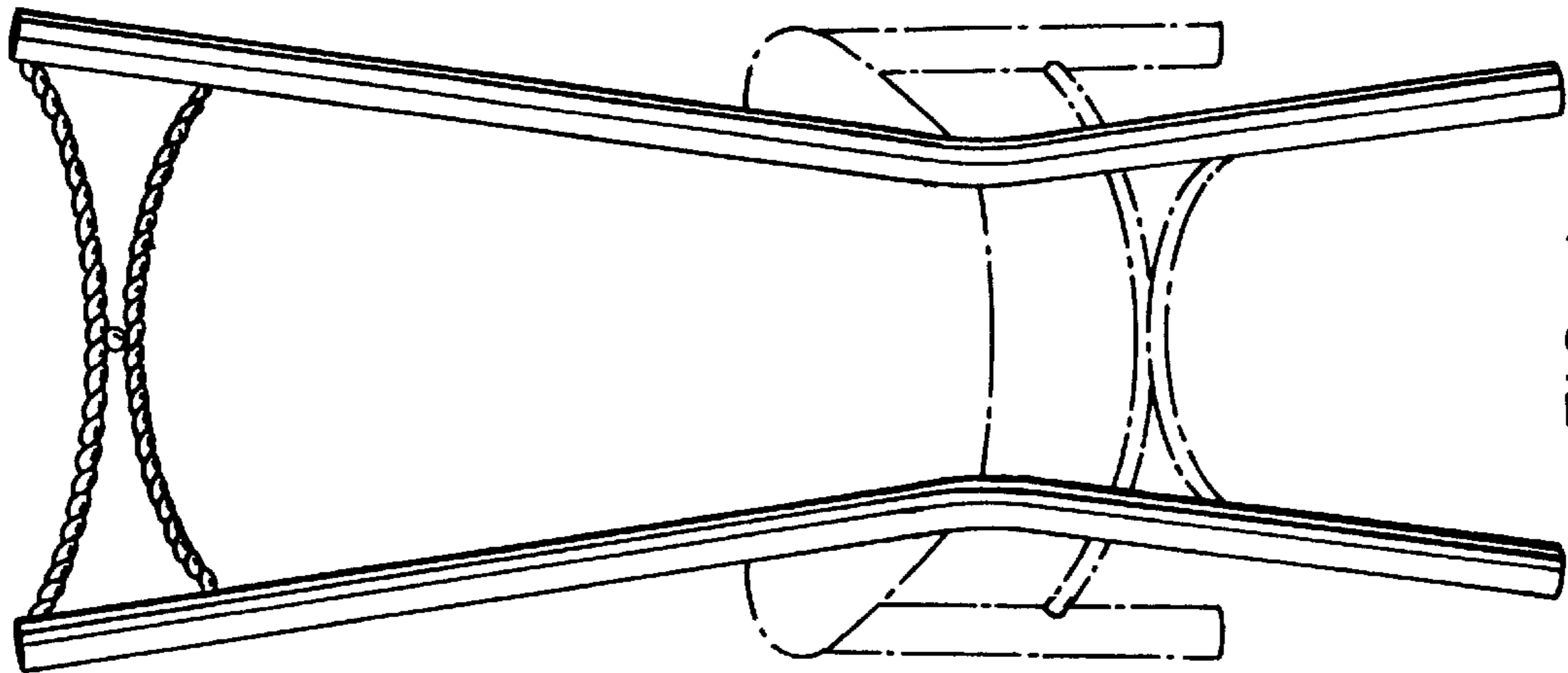


FIG. 4

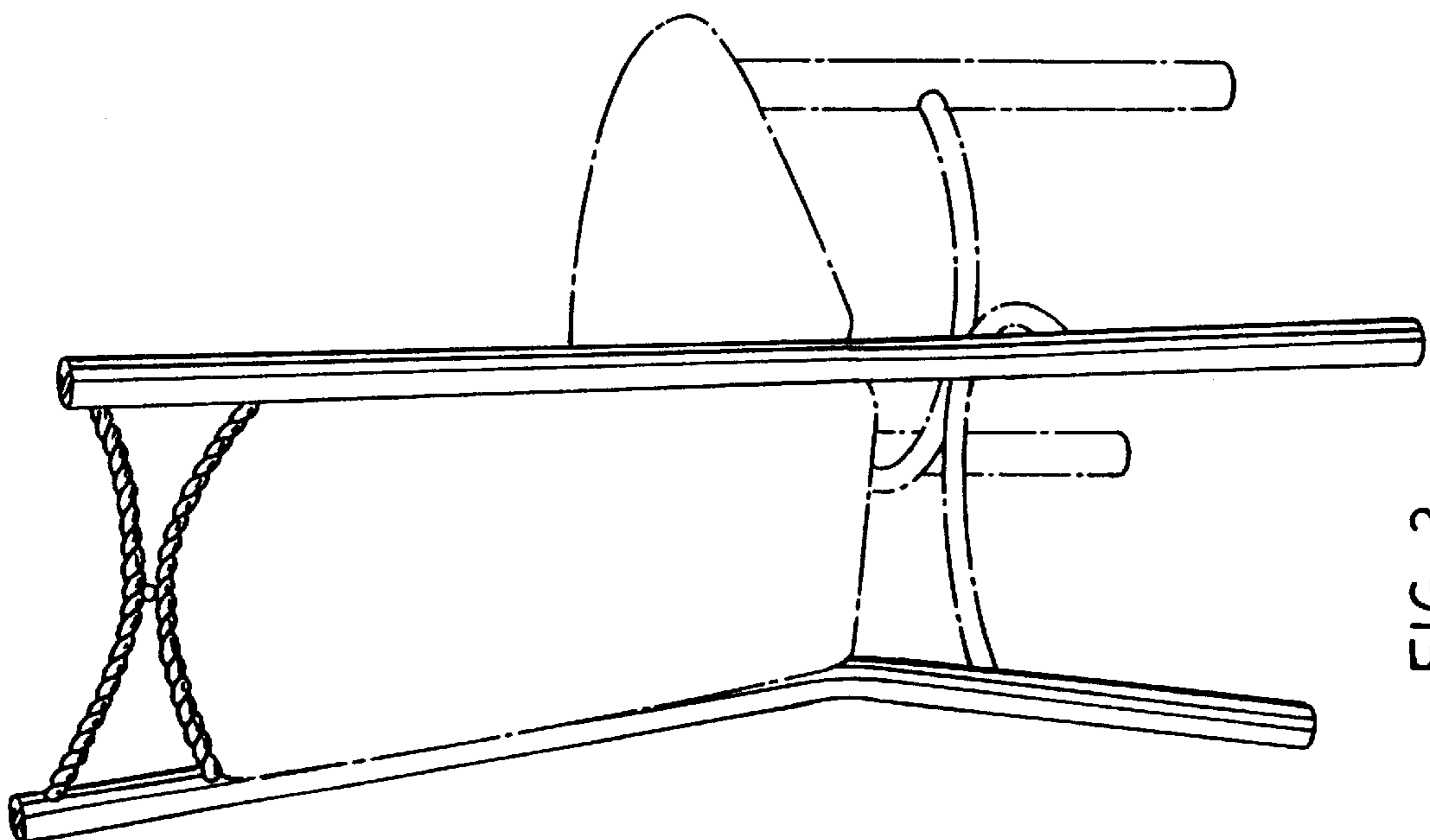


FIG. 3