



US00D440080S

(12) **United States Design Patent**
Suzuki

(10) **Patent No.:** **US D440,080 S**

(45) **Date of Patent:** **** Apr. 10, 2001**

(54) **TABLE**

(75) Inventor: **Masara Suzuki**, Brooklyn, NY (US)

(73) Assignee: **Donghia Furniture/Textiles LTD**, New York, NY (US)

(**) Term: **14 Years**

(21) Appl. No.: **29/115,530**

(22) Filed: **Dec. 15, 1999**

(51) **LOC (7) Cl.** **06-03**

(52) **U.S. Cl.** **D6/484**

(58) **Field of Search** D6/480-489, 495,
D6/511, 477; 108/153.1, 155, 156, 157.1,
161; 248/188, 188.1

(56) **References Cited**

U.S. PATENT DOCUMENTS

- D. 188,900 * 9/1960 Knoll D6/484
- D. 394,766 * 6/1998 Brandt D6/480
- D. 414,354 * 9/1999 Gower D6/484

OTHER PUBLICATIONS

Donghia Furniture Co., Ltd. brochure; entitled: "Hospitality Style"; on information and belief published and distributed publicly in 1998 over one year prior to the date of this application. (5 pages).

* cited by examiner

Primary Examiner—Janice E. Seeger

(74) *Attorney, Agent, or Firm*—Heslin & Rothenberg, P.C.

(57) **CLAIM**

The ornamental design for the table, as shown and described.

DESCRIPTION

FIG. 1 is a top plan view of the table comprising my new design;

FIG. 2 is a front elevational view thereof;

FIG. 3 is a right side elevational view thereof, the opposite side elevational view being a mirror image thereof;

FIG. 4 is a bottom plan view thereof; and,

FIG. 5 is a perspective view thereof.

The rear of the article not shown is not part of the claimed design.

1 Claim, 3 Drawing Sheets

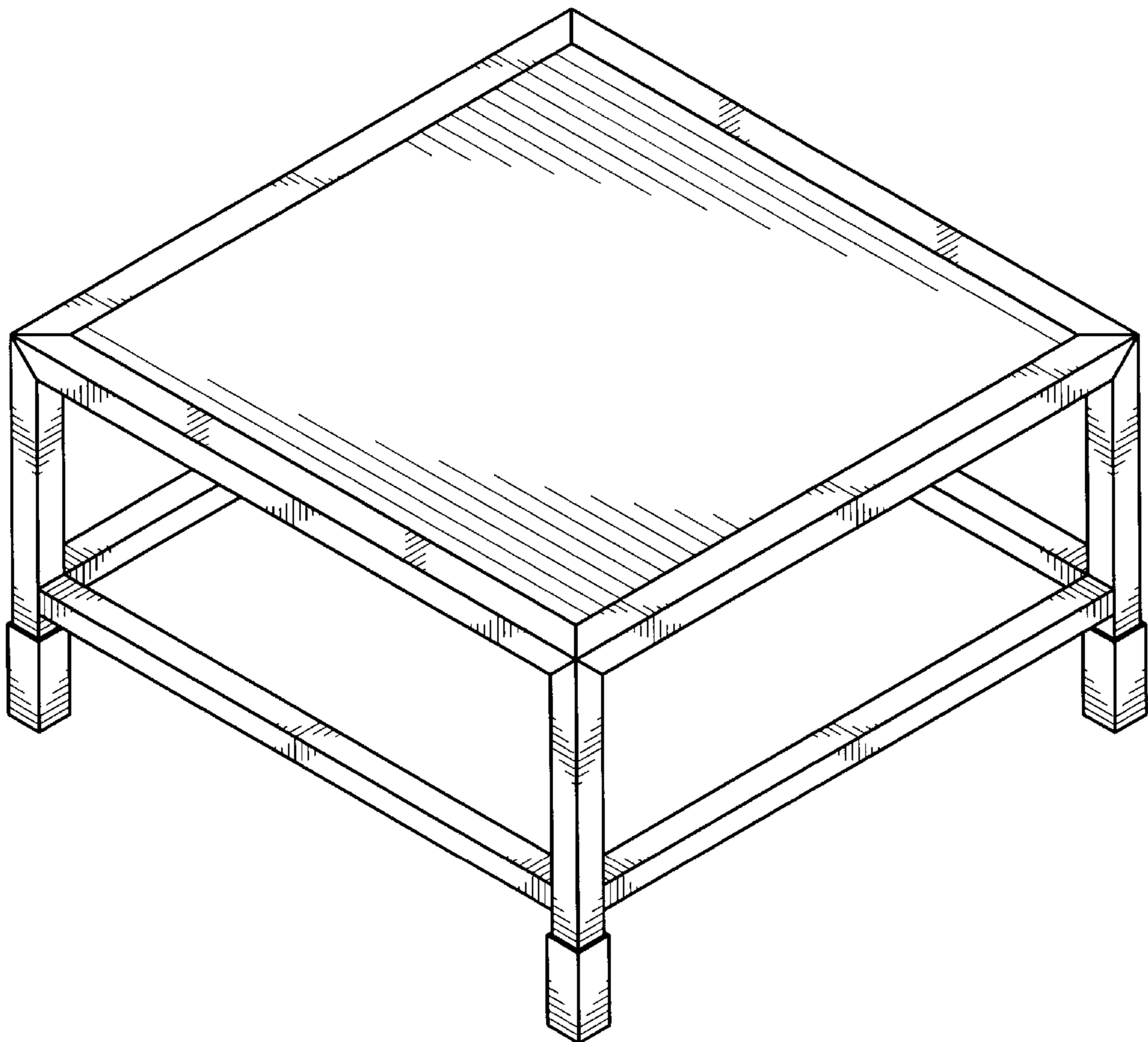


FIG. 1

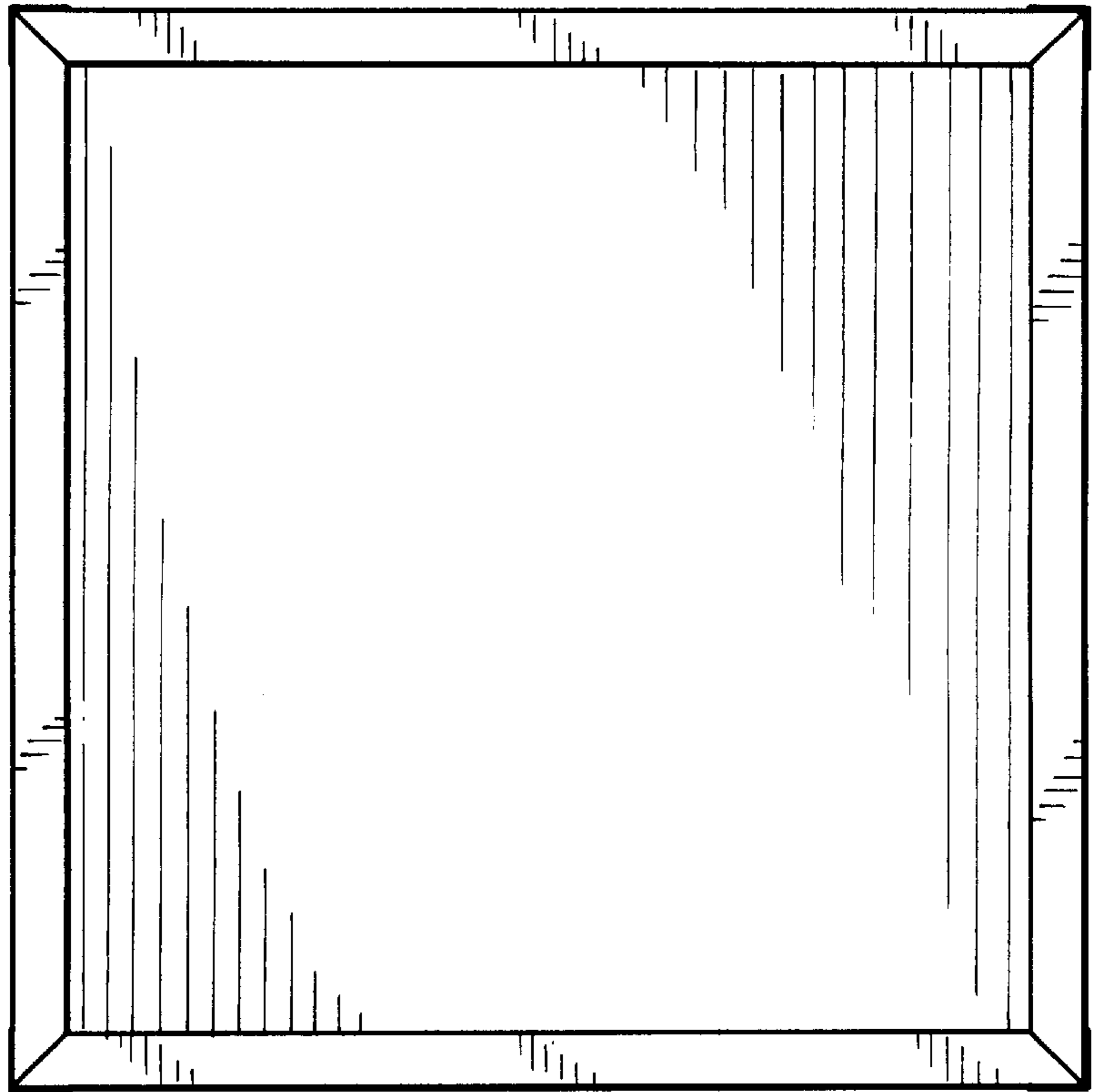


FIG. 2

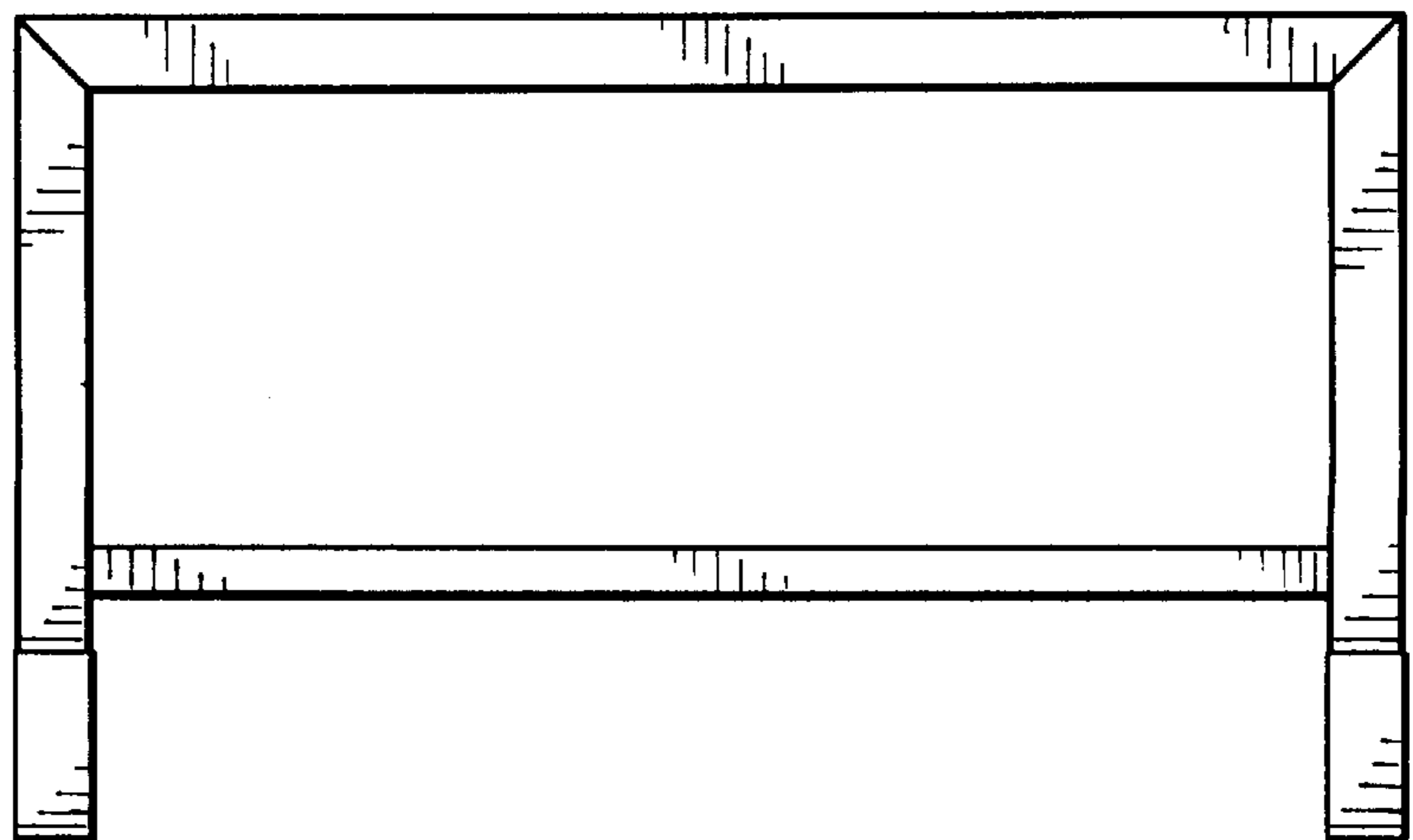


FIG. 3

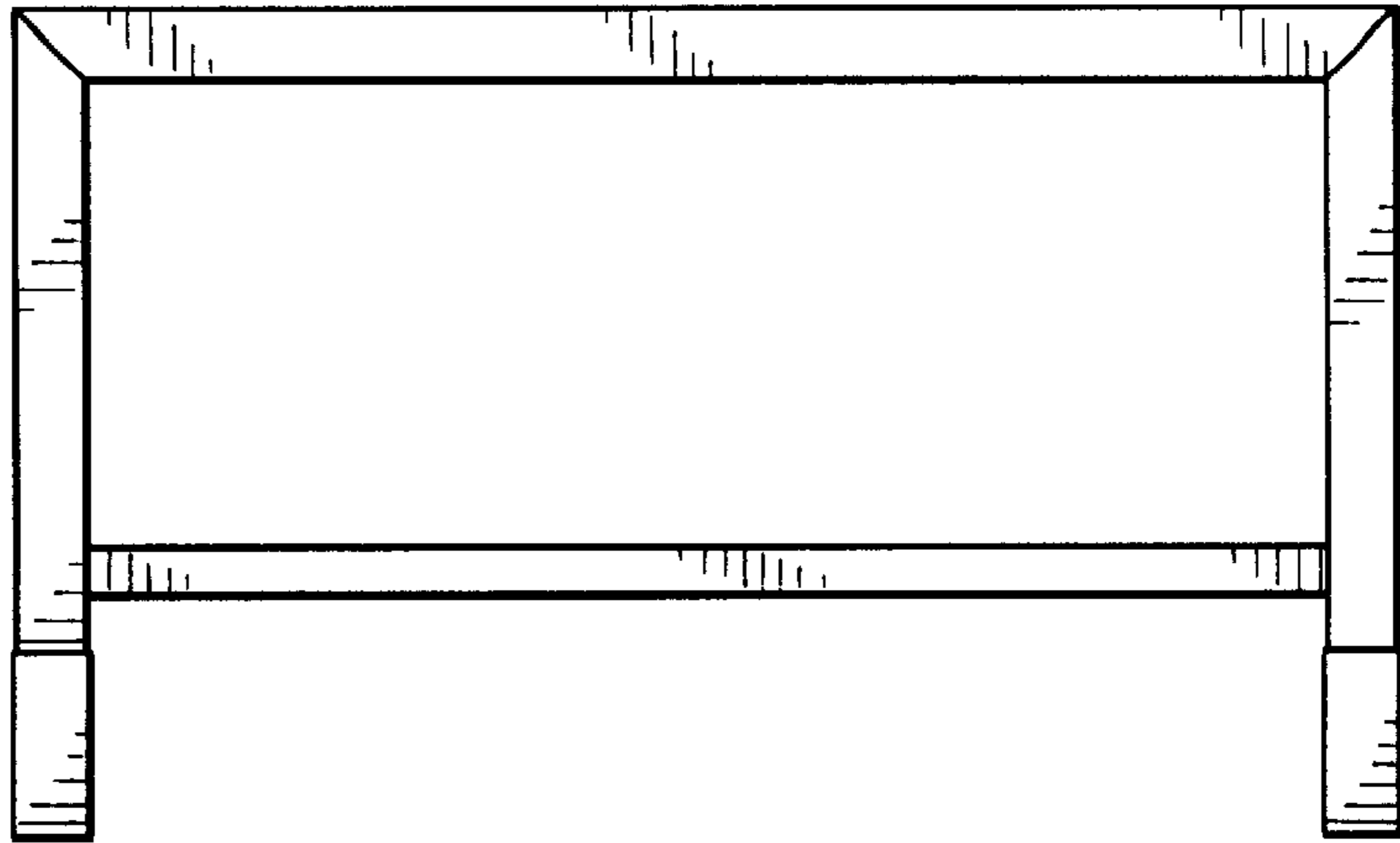
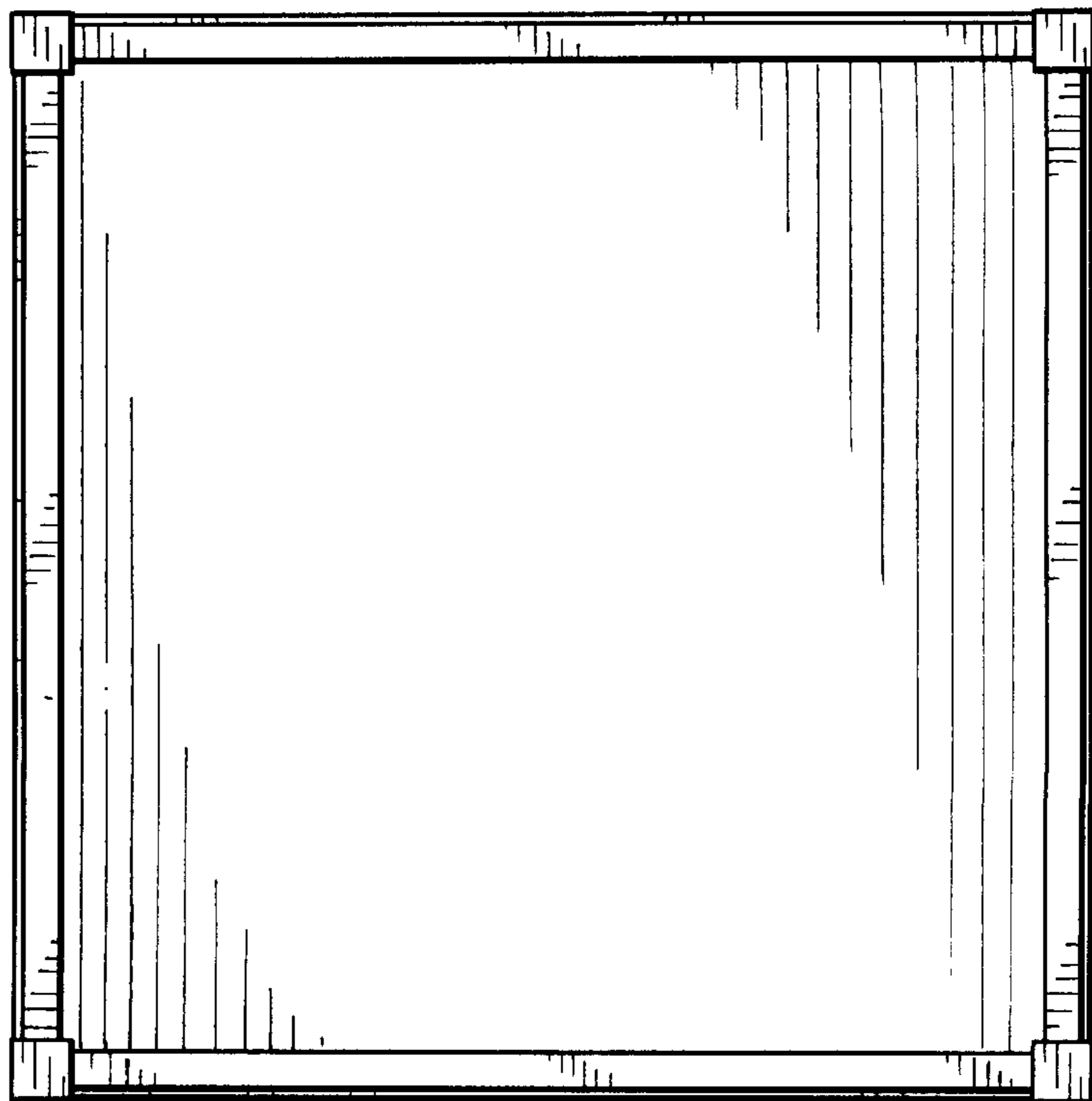


FIG. 4



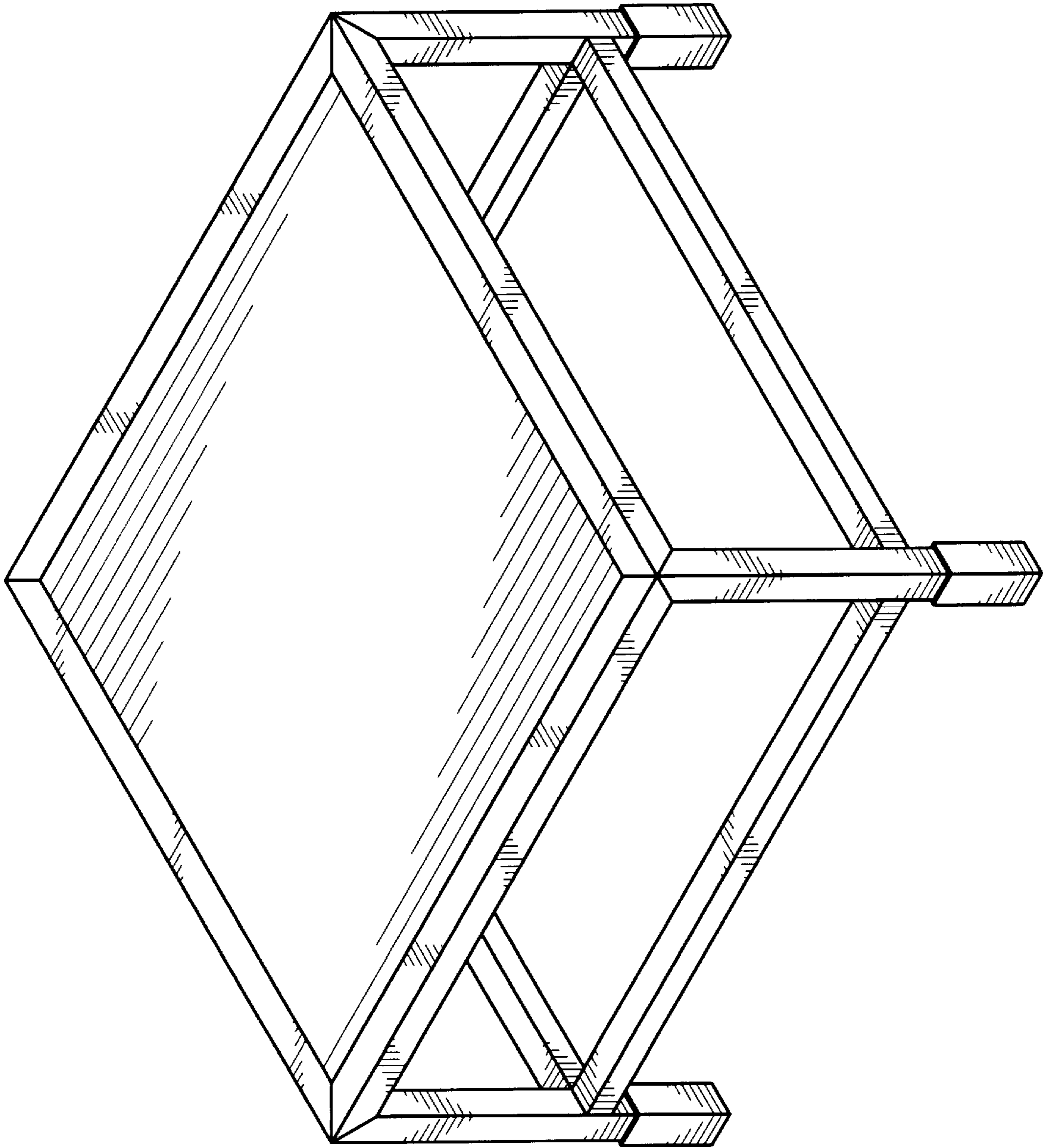


FIG. 5