



US00D440077S

(12) **United States Design Patent**
Castillo et al.

(10) **Patent No.:** **US D440,077 S**
(45) **Date of Patent:** **** Apr. 10, 2001**

(54) **COMBINED NEWSPAPER HOLDER AND STORAGE DEVICE**

5,035,393 * 7/1991 Menaged 248/456
5,364,056 11/1994 Jiang .
5,651,525 7/1997 Yang .
5,667,182 9/1997 Kribs .

(76) Inventors: **Earl J Castillo; Marilyn E Castillo,**
both of 4170 Perkins Ct., Fremont, CA
(US) 94536

* cited by examiner

(**) Term: **14 Years**

Primary Examiner—Prabhakar Deshmukh

(21) Appl. No.: **29/115,657**

(22) Filed: **Dec. 17, 1999**

(57) **CLAIM**

The ornamental design for a combined newspaper holder and storage device, as shown and described.

(51) **LOC (7) Cl.** **06-06**

DESCRIPTION

(52) **U.S. Cl.** **D6/466**

(58) **Field of Search** D6/396, 466, 449,
D6/443, 457, 459, 475, 488; 206/480, 457,
424; 248/444.1, 445, 451, 454-460, 461;
211/42, 43; 100/34

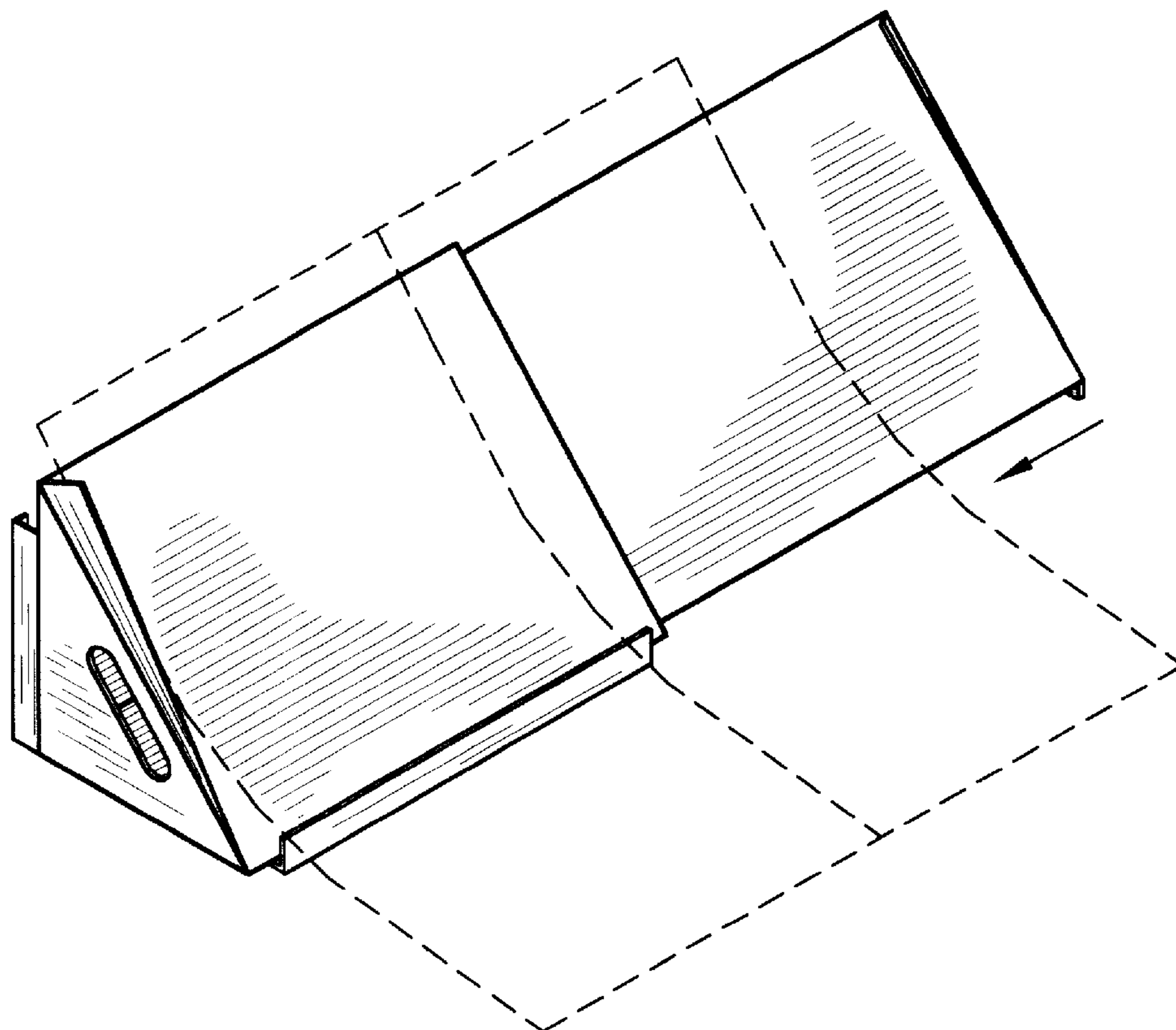
FIG. 1 is a front elevational view of the combined newspaper holder and storage device of the present invention; FIG. 2 is a rear elevational view of the combined newspaper holder and storage device of FIG. 1; FIG. 3 is a left side elevational view of the combined newspaper holder and storage device of FIG. 1; FIG. 4 is a right side elevational view of the combined newspaper holder and storage device of FIG. 1; FIG. 5 is a top plan view of the combined newspaper holder and storage device of FIG. 1; FIG. 6 is a bottom plan view of the combined newspaper holder and storage device of FIG. 1; and, FIG. 7 is a top, left side perspective view of the combined newspaper holder and storage device of FIG. 1. The broken line showing of paper is for illustrative purpose only and forms no part of the claimed design.

(56) **References Cited**

U.S. PATENT DOCUMENTS

D. 230,802 * 3/1974 Morita D6/449 X
D. 264,032 * 4/1982 Rule D6/419
D. 344,197 2/1994 Numbers .
2,247,597 7/1941 Bofenkamp et al. .
3,041,774 * 7/1962 Walker 248/451
3,090,271 * 5/1963 Castelli 206/227 X
3,645,403 * 2/1972 Walters D6/467 X
3,850,092 * 11/1974 Montgomery 100/34
4,588,074 5/1986 Strong et al. .
4,723,680 2/1988 Carroll et al. .

1 Claim, 3 Drawing Sheets



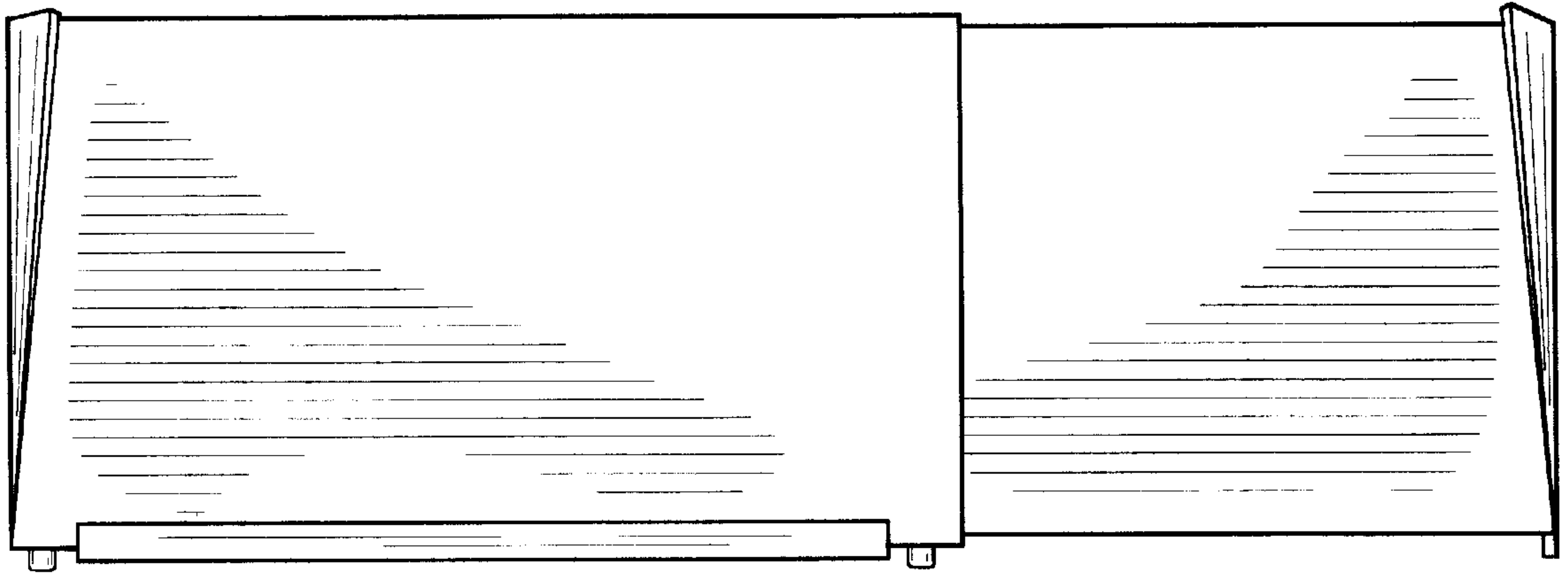


Fig. 1

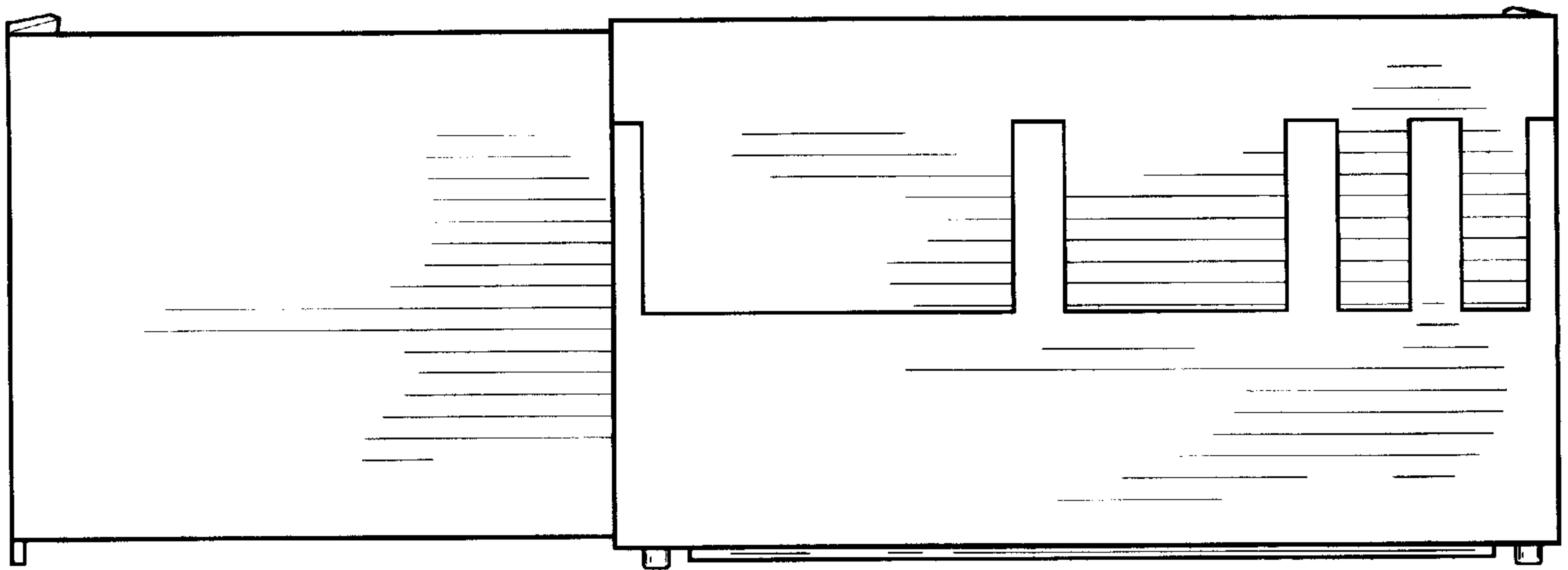


Fig. 2

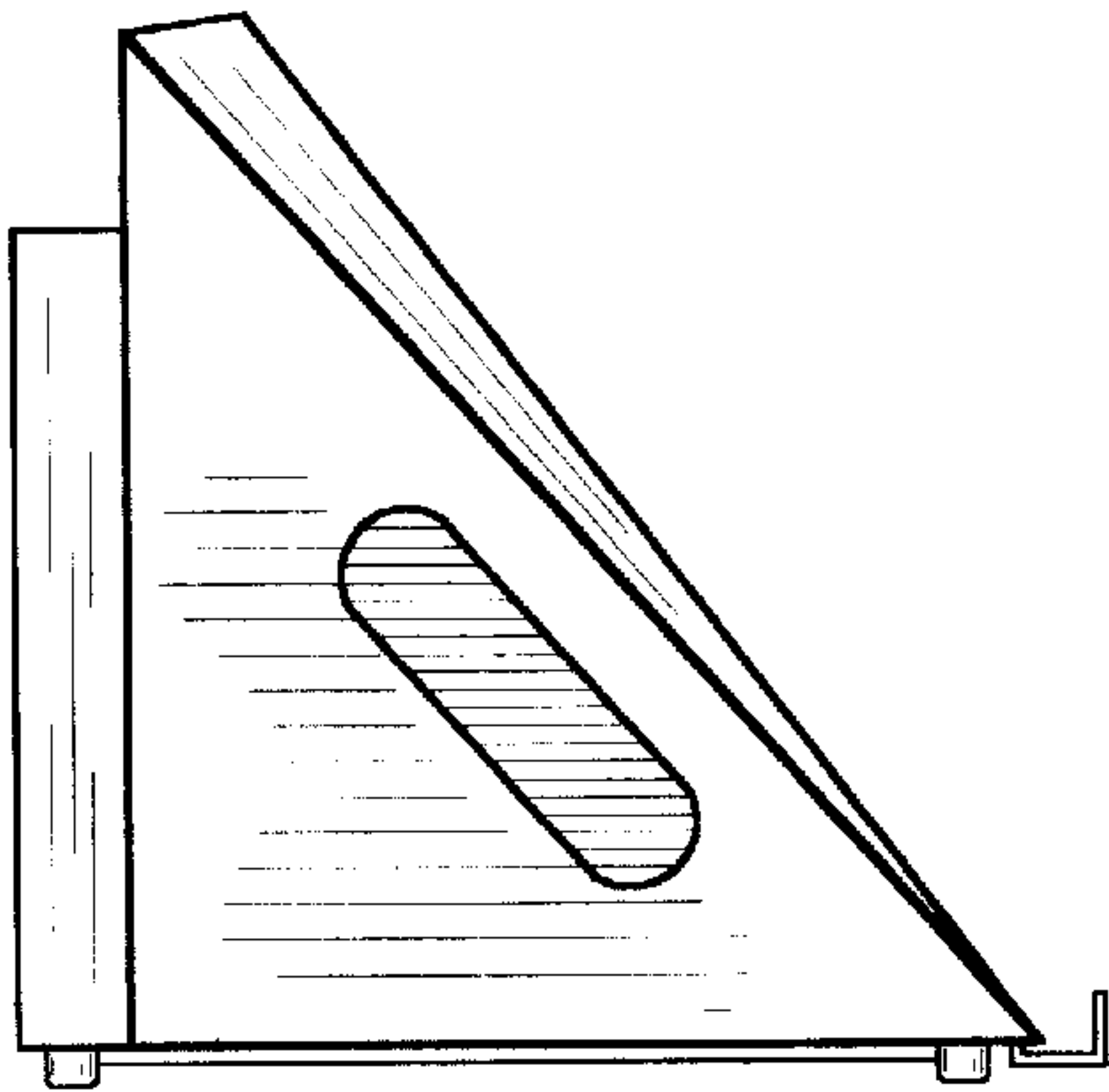


Fig. 3

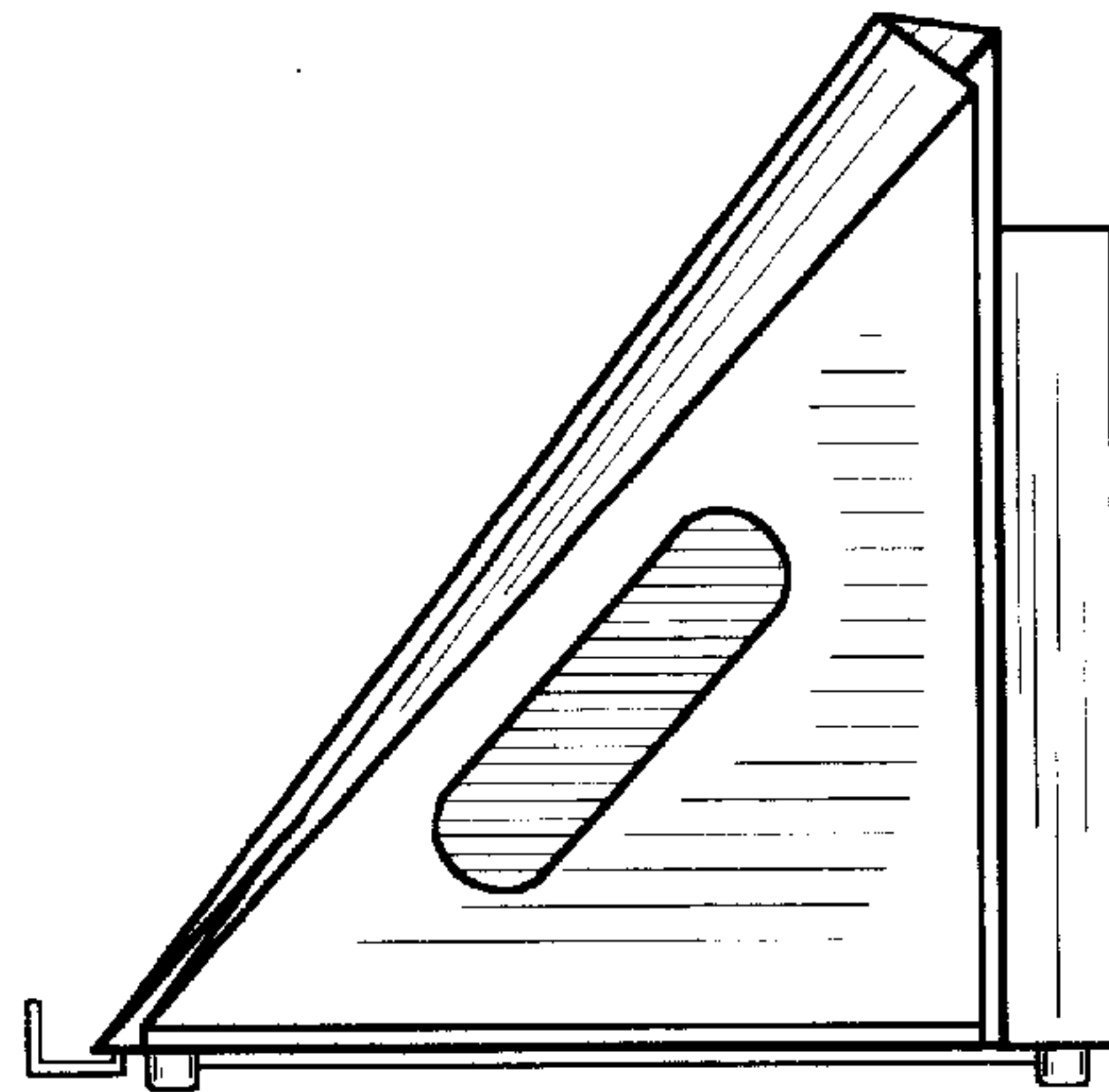


Fig. 4

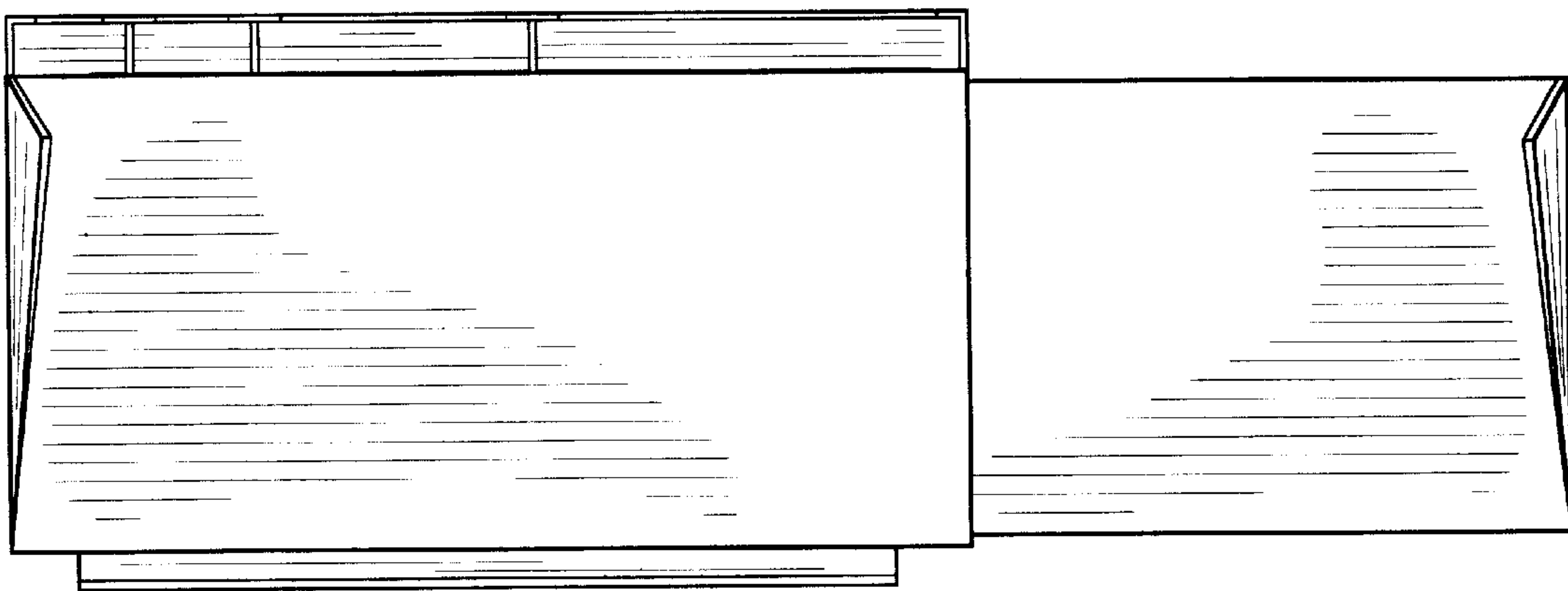


Fig. 5

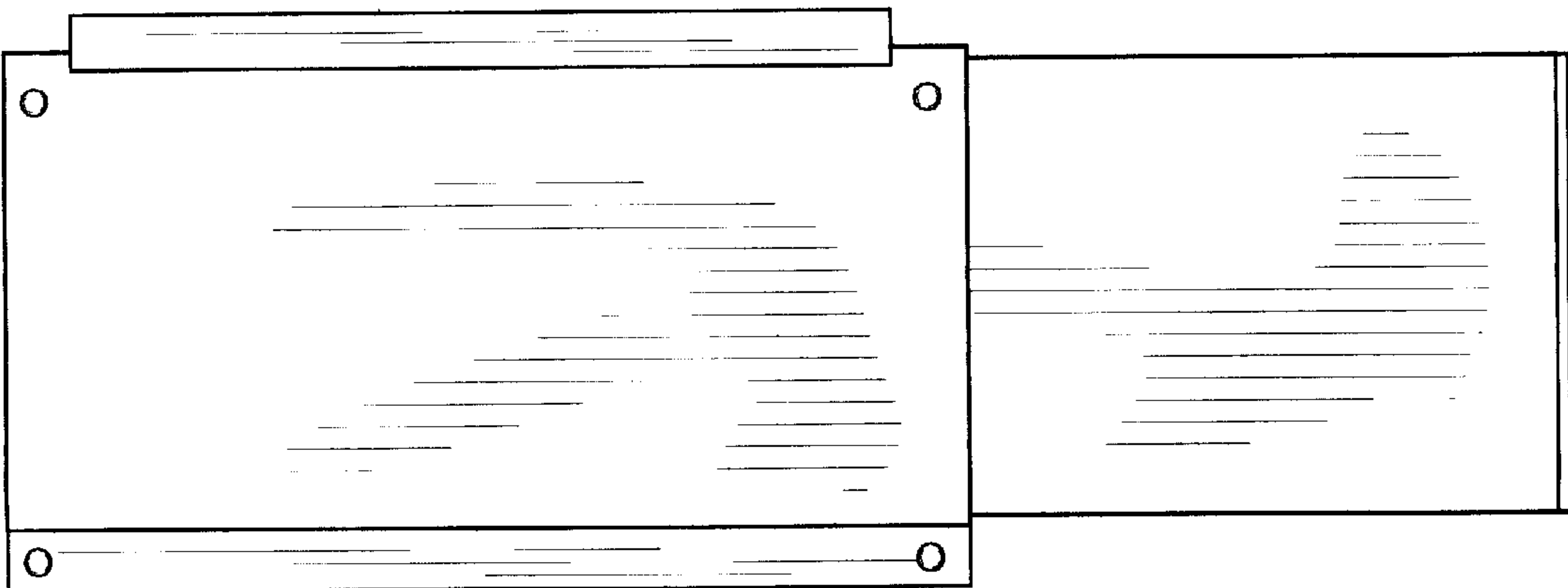


Fig. 6

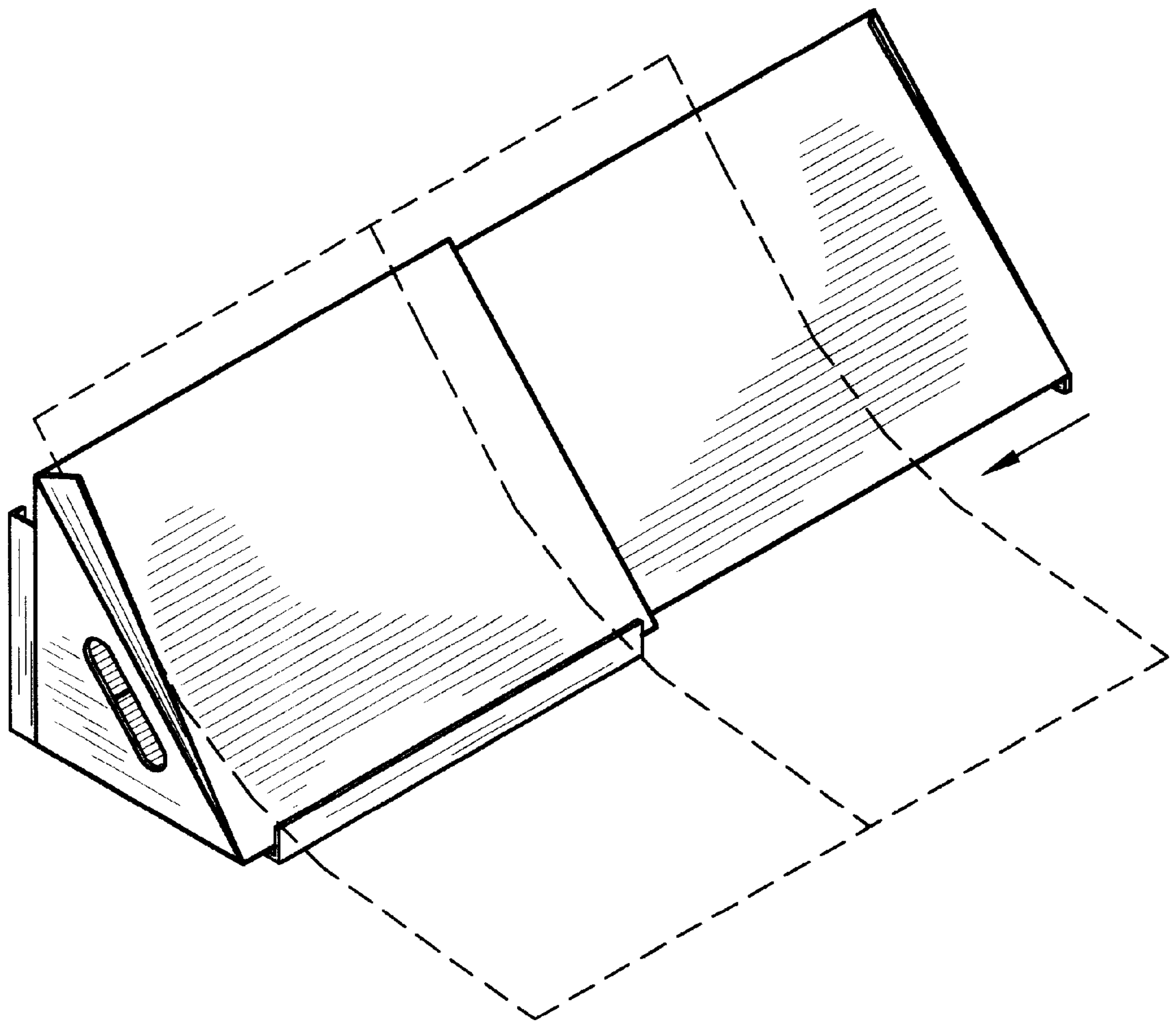


Fig. 7