



US00D440076S

(12) **United States Design Patent**
Kelley et al.

(10) **Patent No.:** **US D440,076 S**

(45) **Date of Patent:** **** Apr. 10, 2001**

(54) **COMPUTER CABINET WITH EXTENDING LIGHT**

(75) Inventors: **James O. Kelley**, Spring Lake;
Michael D. Warren, Grand Rapids,
both of MI (US)

(73) Assignee: **Sligh Furniture Company**, Holland,
MI (US)

(**) Term: **14 Years**

(21) Appl. No.: **29/102,815**

(22) Filed: **Apr. 1, 1999**

(51) **LOC (7) Cl.** **06-04**

(52) **U.S. Cl.** **D6/448**

(58) **Field of Search** D6/432, 434, 436,
D6/439, 445, 446; 312/194, 195, 196, 204

(56) **References Cited**

U.S. PATENT DOCUMENTS

- D. 403,884 * 1/1999 Corella D6/434
- D. 403,891 * 1/1999 West D6/439
- D. 409,017 * 5/1999 Kelley D6/439
- D. 411,060 * 6/1999 Hora D6/445
- D. 420,530 * 1/1999 Cain D6/439

OTHER PUBLICATIONS

Ethan Allen Treasury, Video Cabinet No. 29-9805, p. 311,
1998.*

* cited by examiner

Primary Examiner—Cathron Brooks
(74) *Attorney, Agent, or Firm*—John A. Waters; Waters & Morse, P.C.

(57) **CLAIM**

The ornamental design for a computer cabinet with extending light, as shown and described.

DESCRIPTION

FIG. 1 is a front elevational view of a computer cabinet with extending light showing our new design;

FIG. 2 is the view of FIG. 1 with the doors open;

FIG. 3 is a lower right perspective view thereof;

FIG. 4 is a cross-sectional view thereof along line IV—IV of FIG. 2;

FIG. 5 is the view of FIG. 3 with the light drawer and tray extended;

FIG. 6 is the view of FIG. 4 with the light drawer and tray extended;

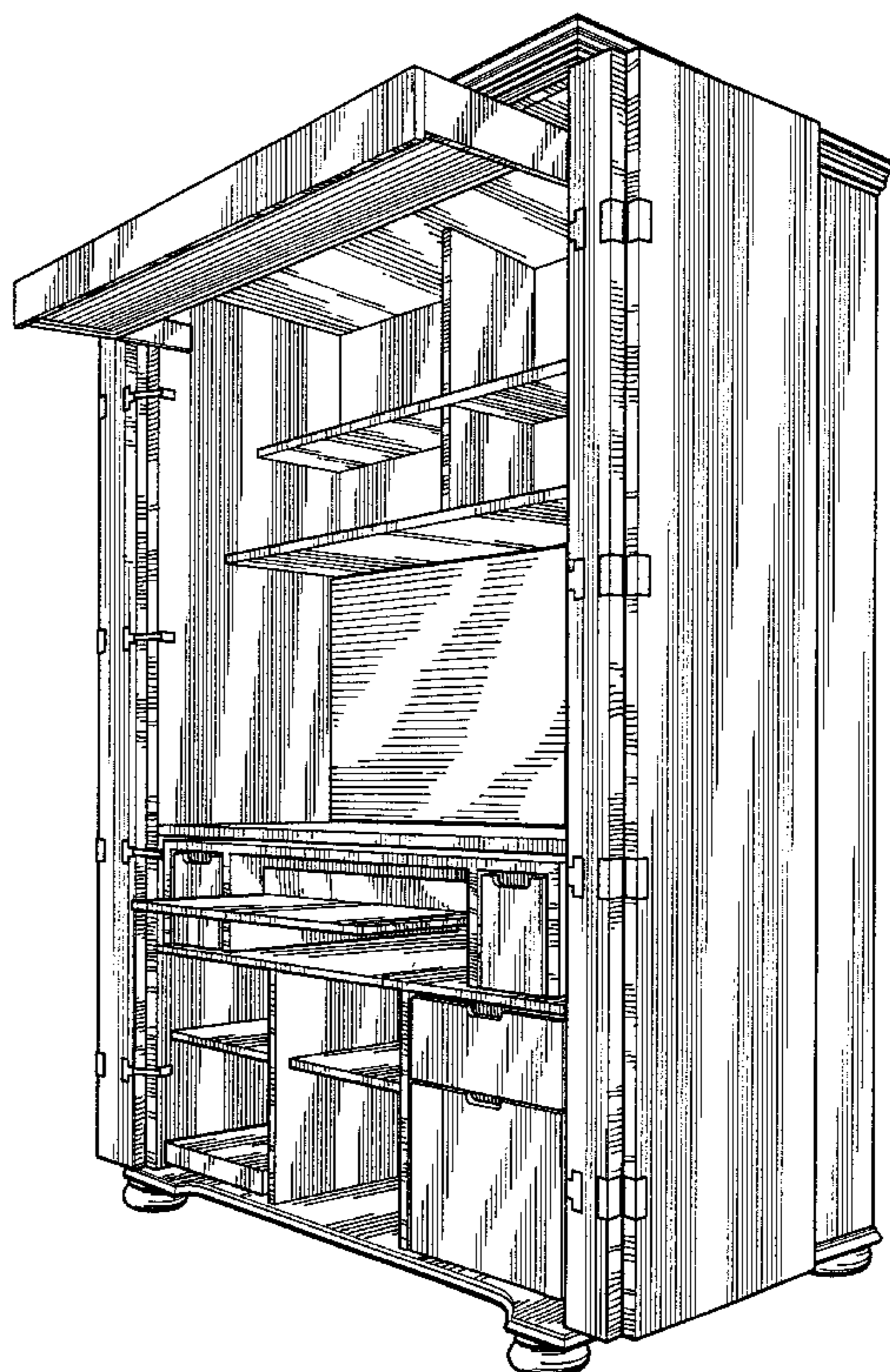
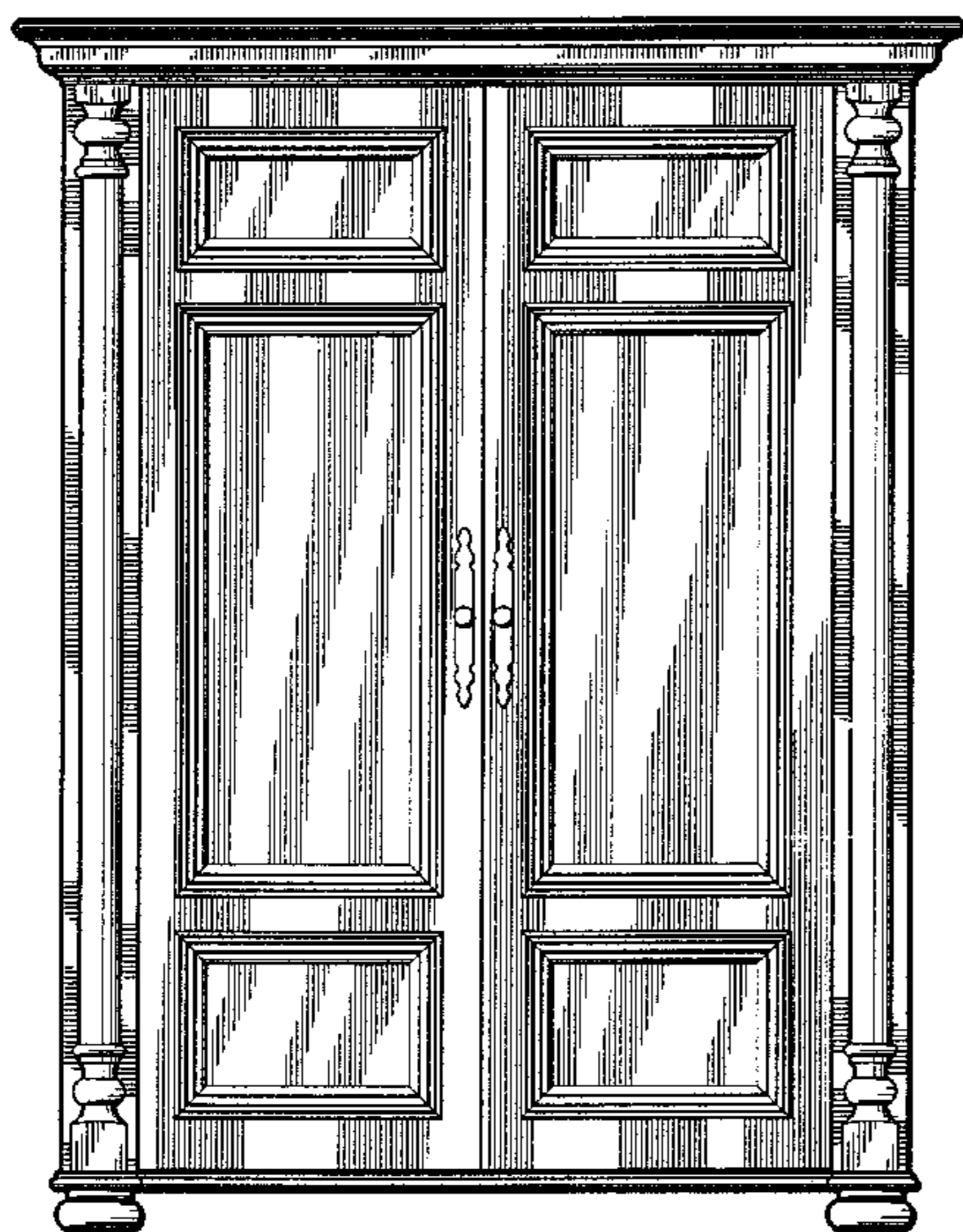
FIG. 7 is the view of FIG. 3 with the light drawer and work drawer extended;

FIG. 8 is the view of FIG. 4 with the light drawer and work drawer extended;

FIG. 9 is the view of FIG. 3 with the light drawer, the work drawer, and the tray extended; and,

FIG. 10 is the view of FIG. 4 with the light drawer, the work drawer, and the tray extended.

1 Claim, 10 Drawing Sheets



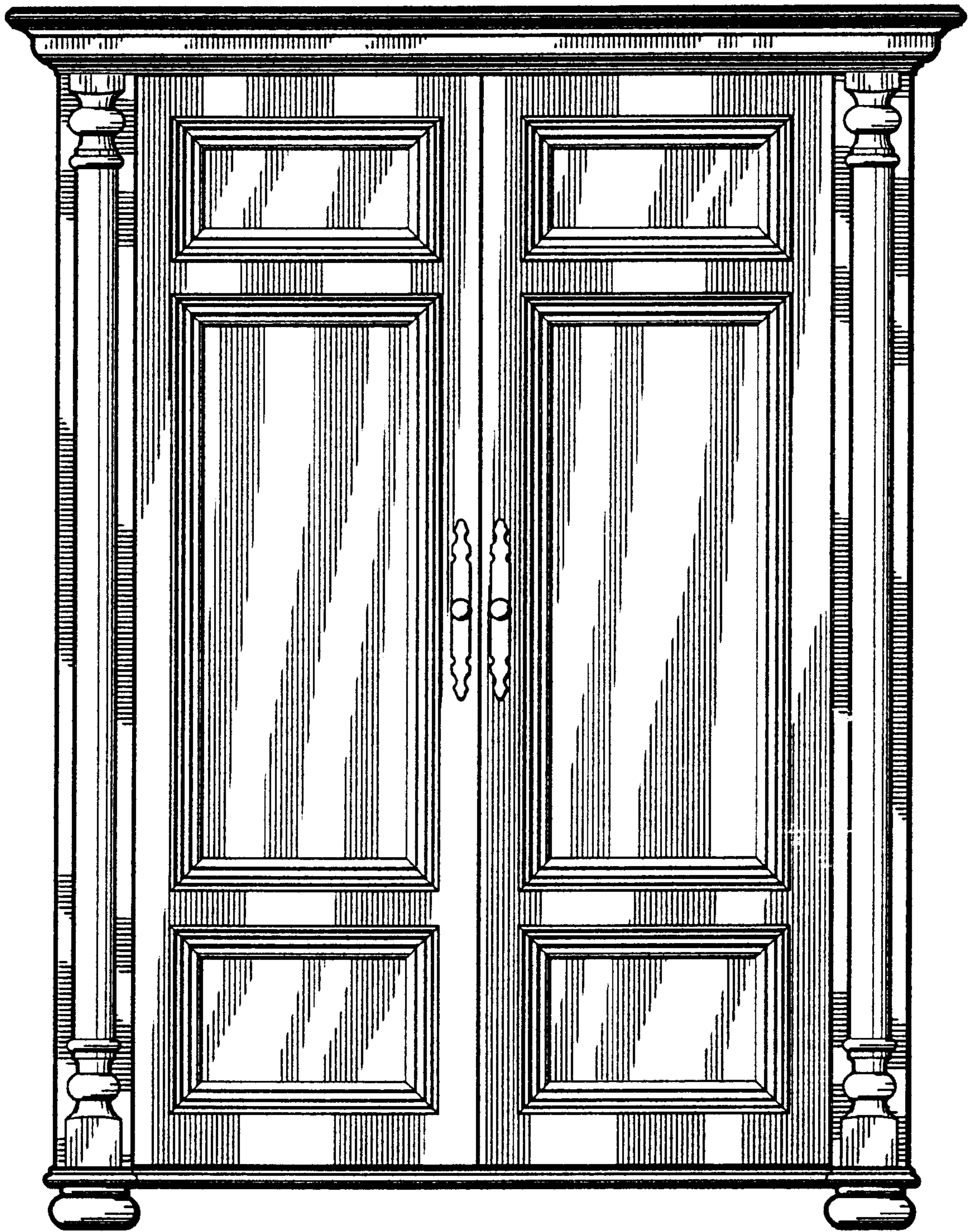


Fig. 1

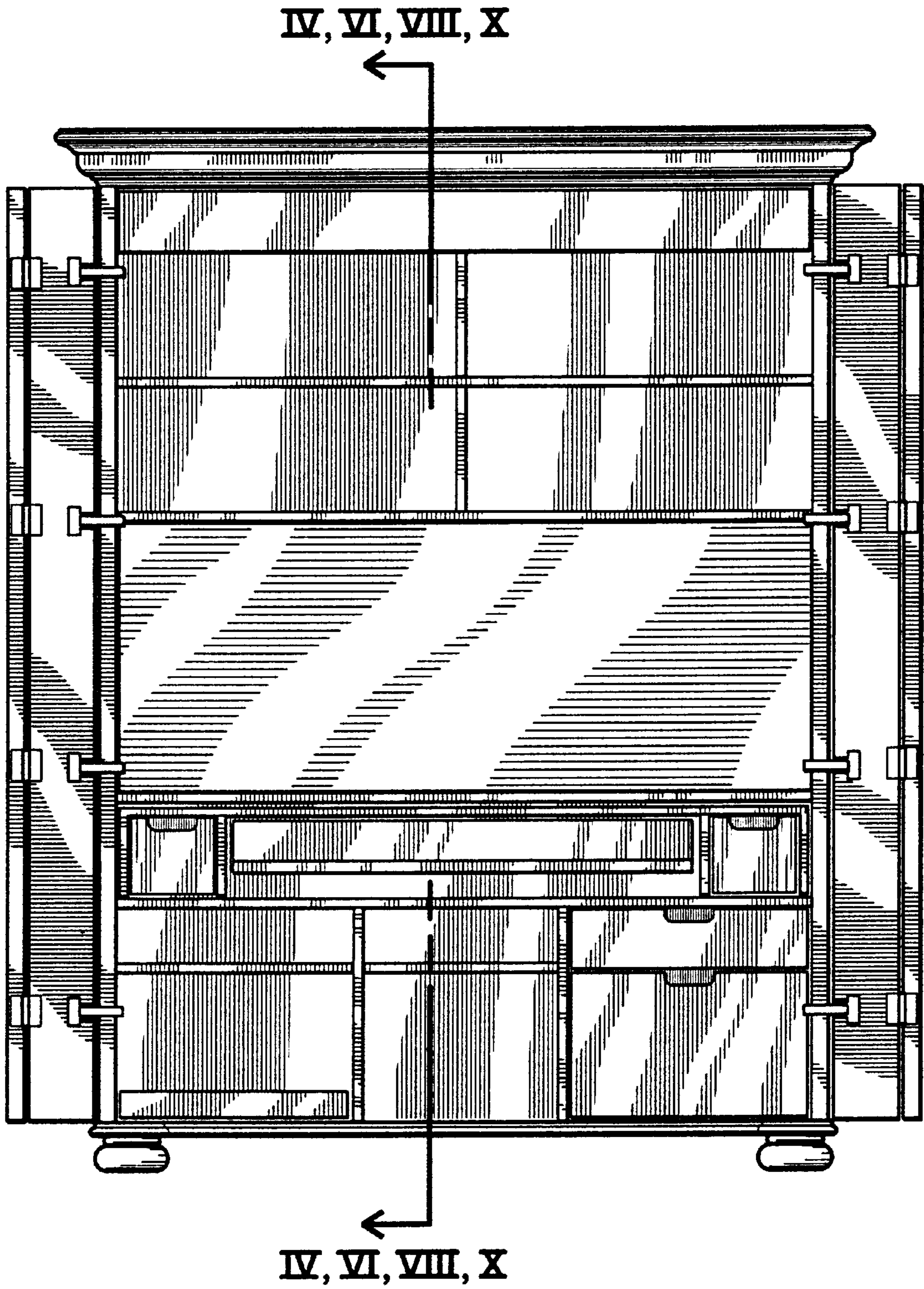


Fig. 2

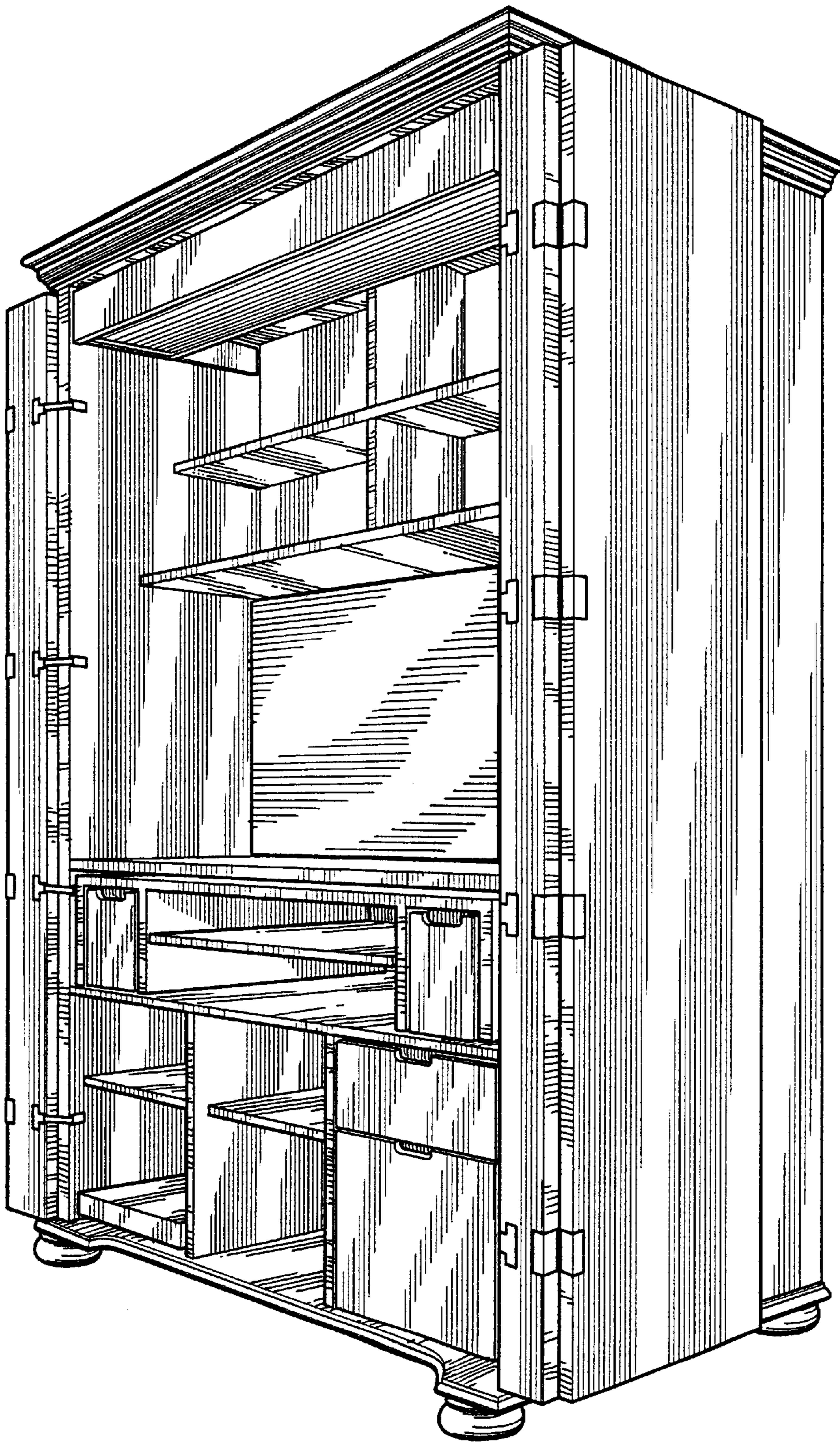


Fig. 3

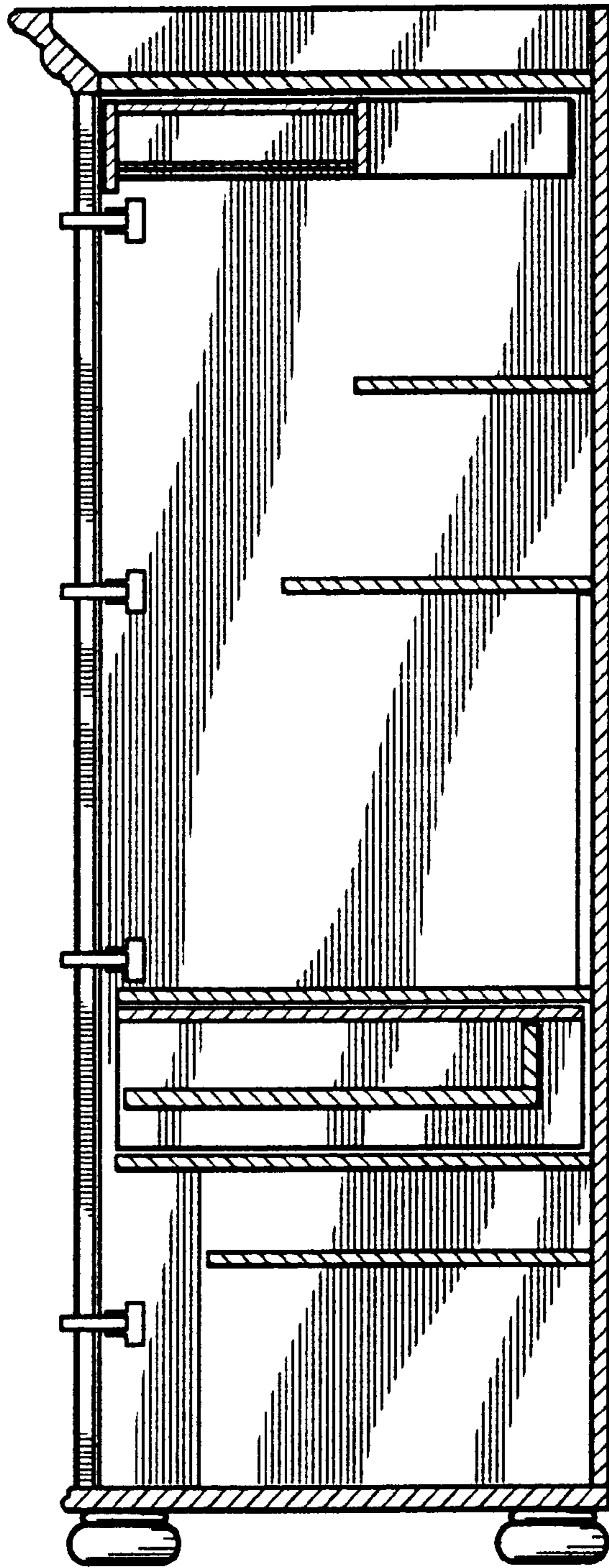


Fig. 4

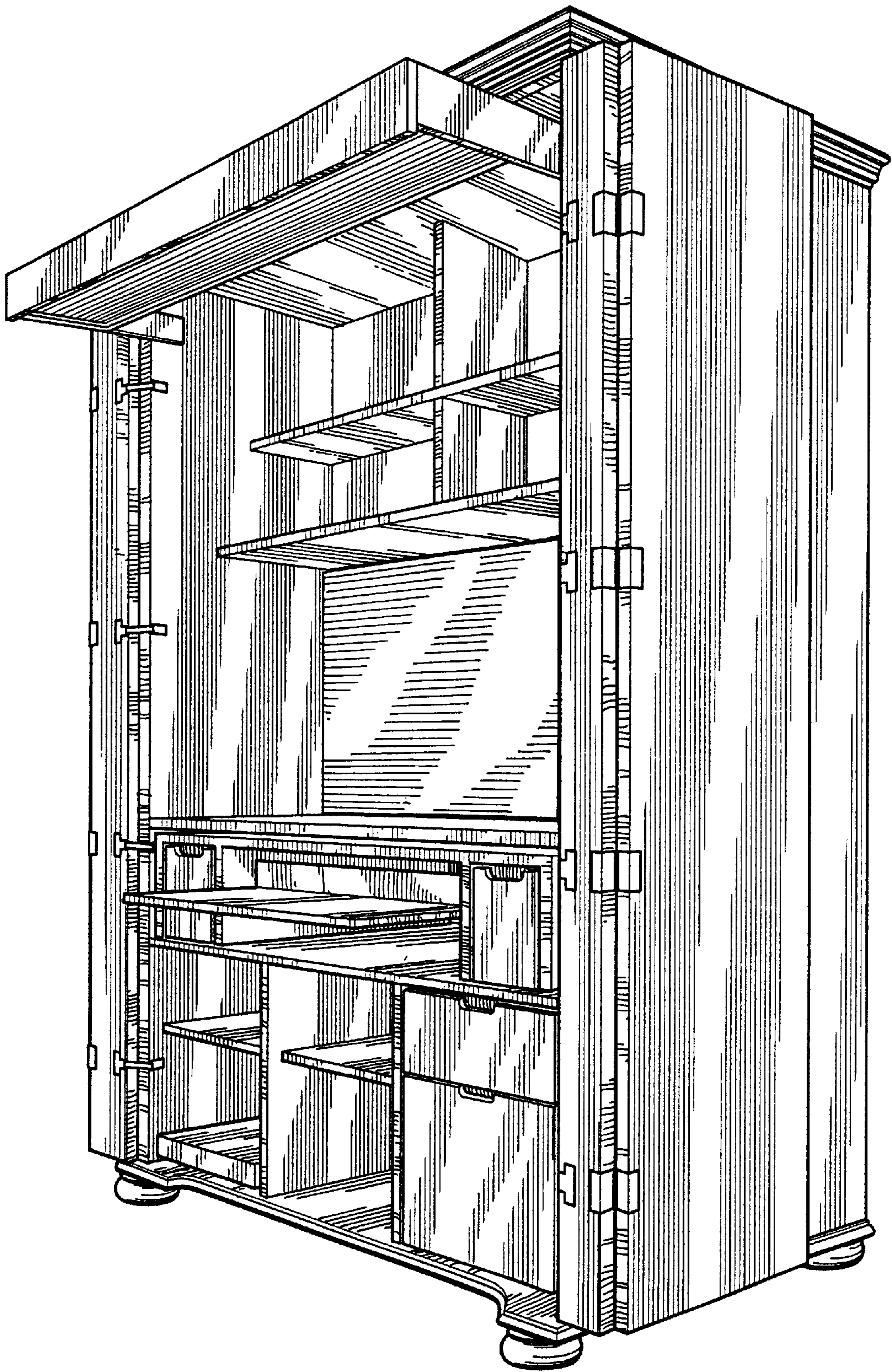


Fig. 5

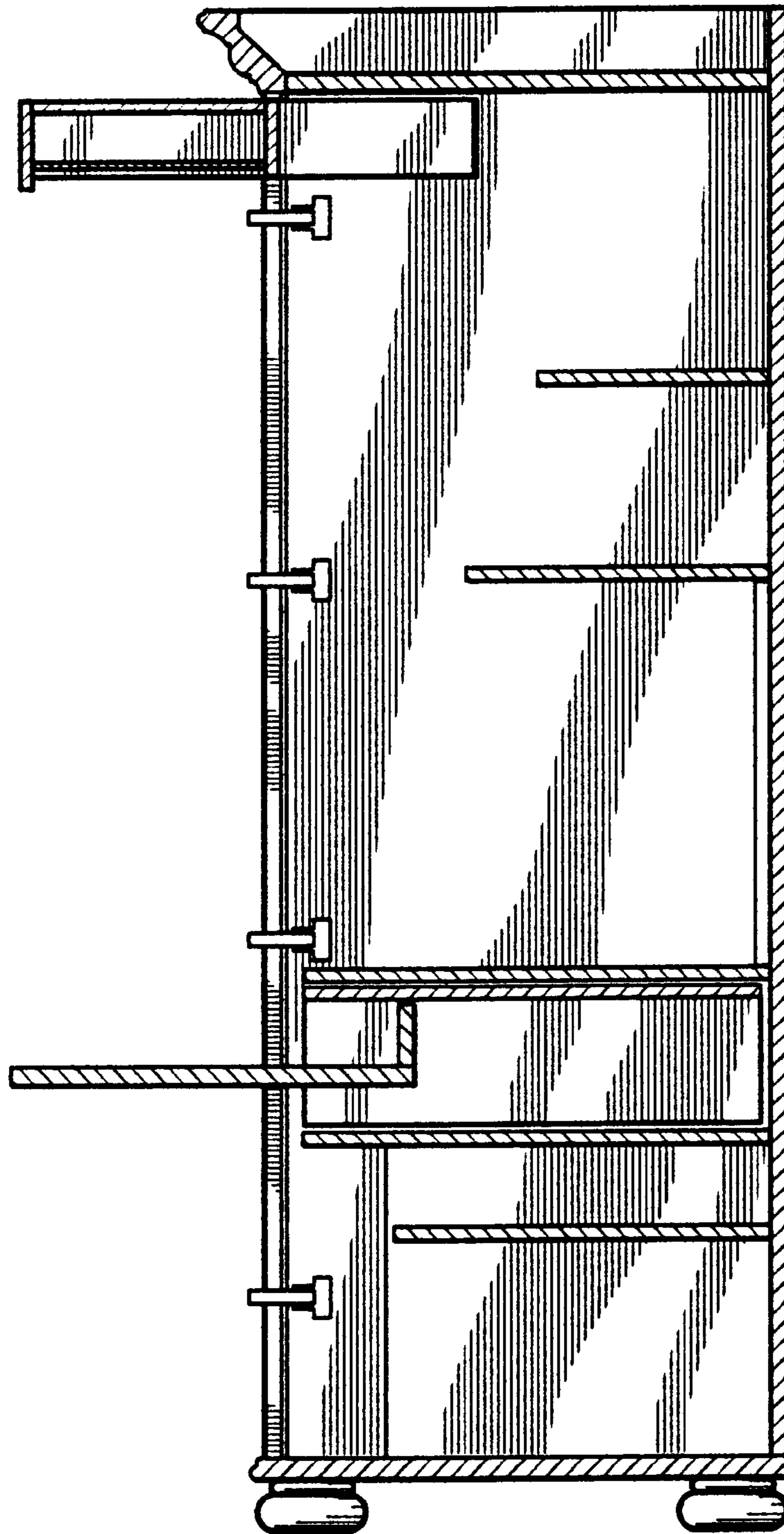


Fig. 6

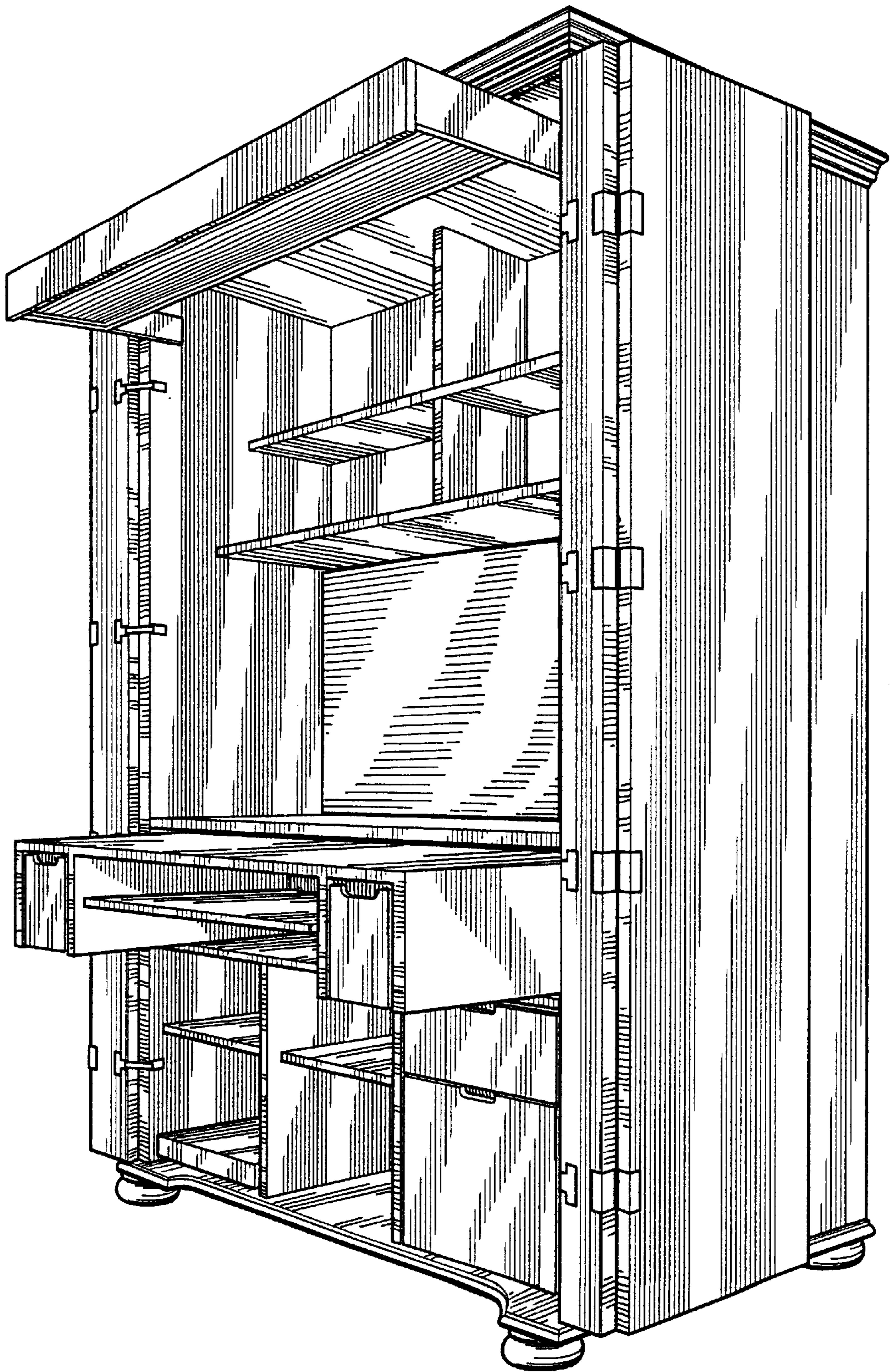


Fig. 7

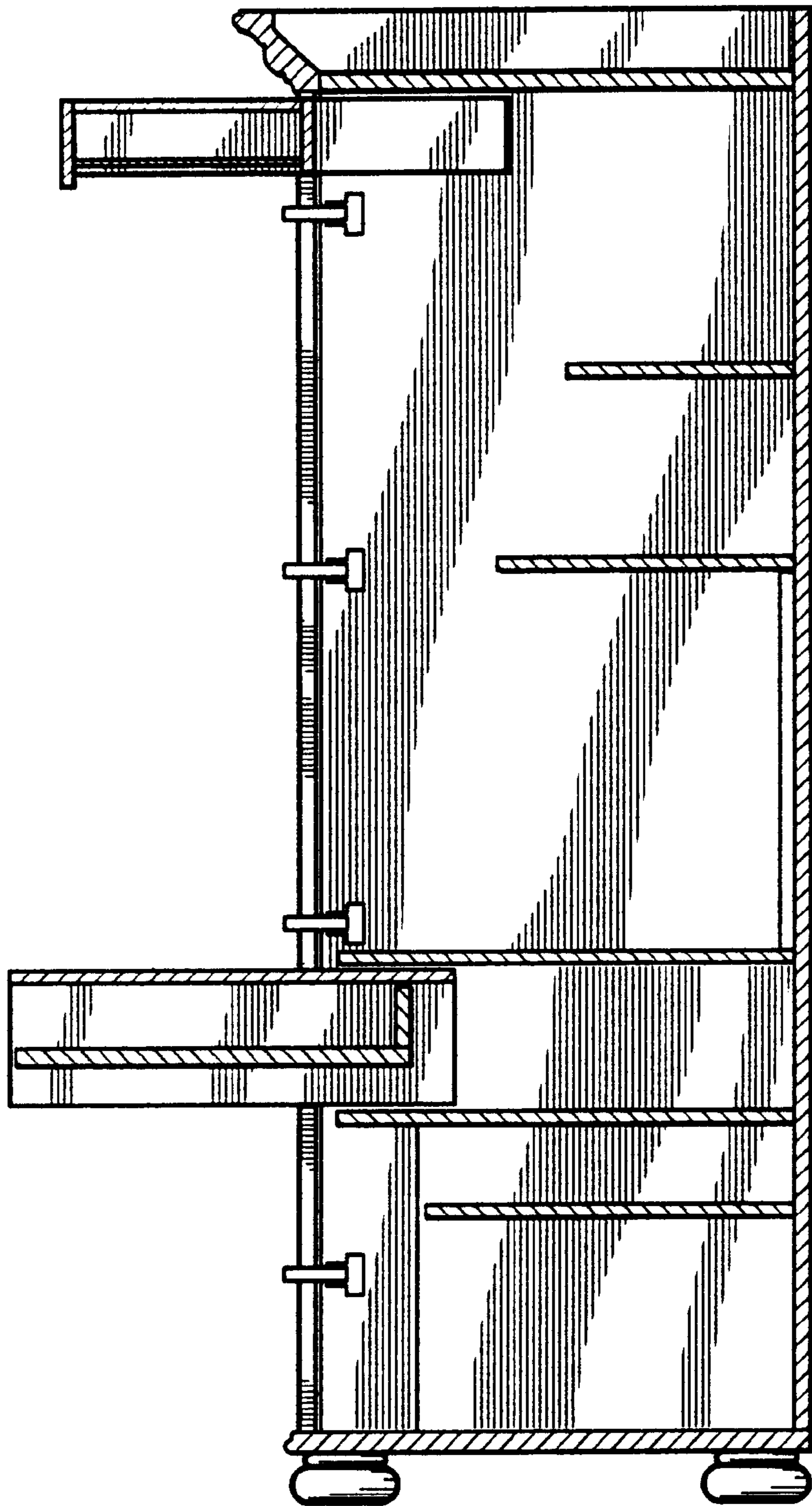


Fig. 8

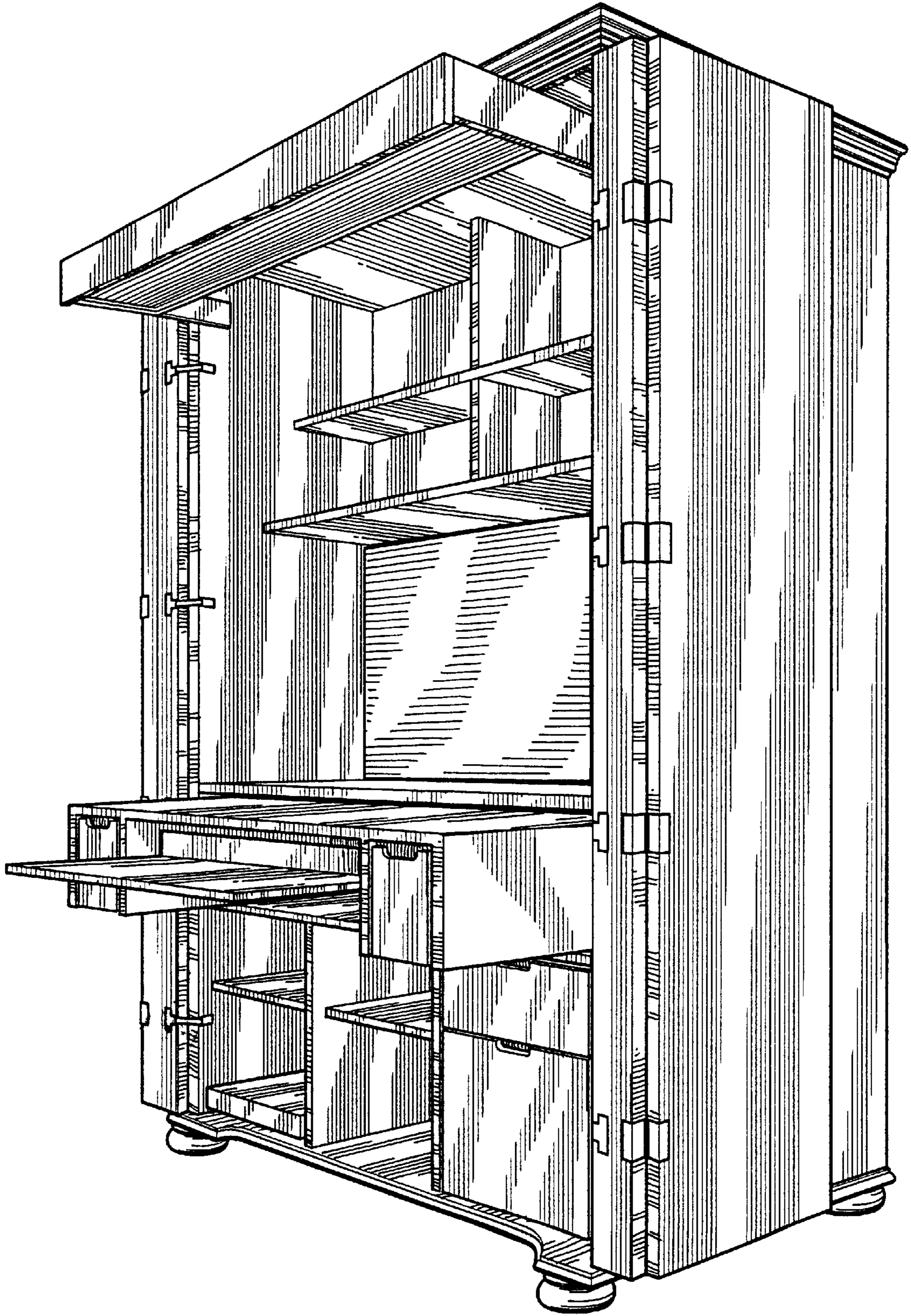


Fig. 9

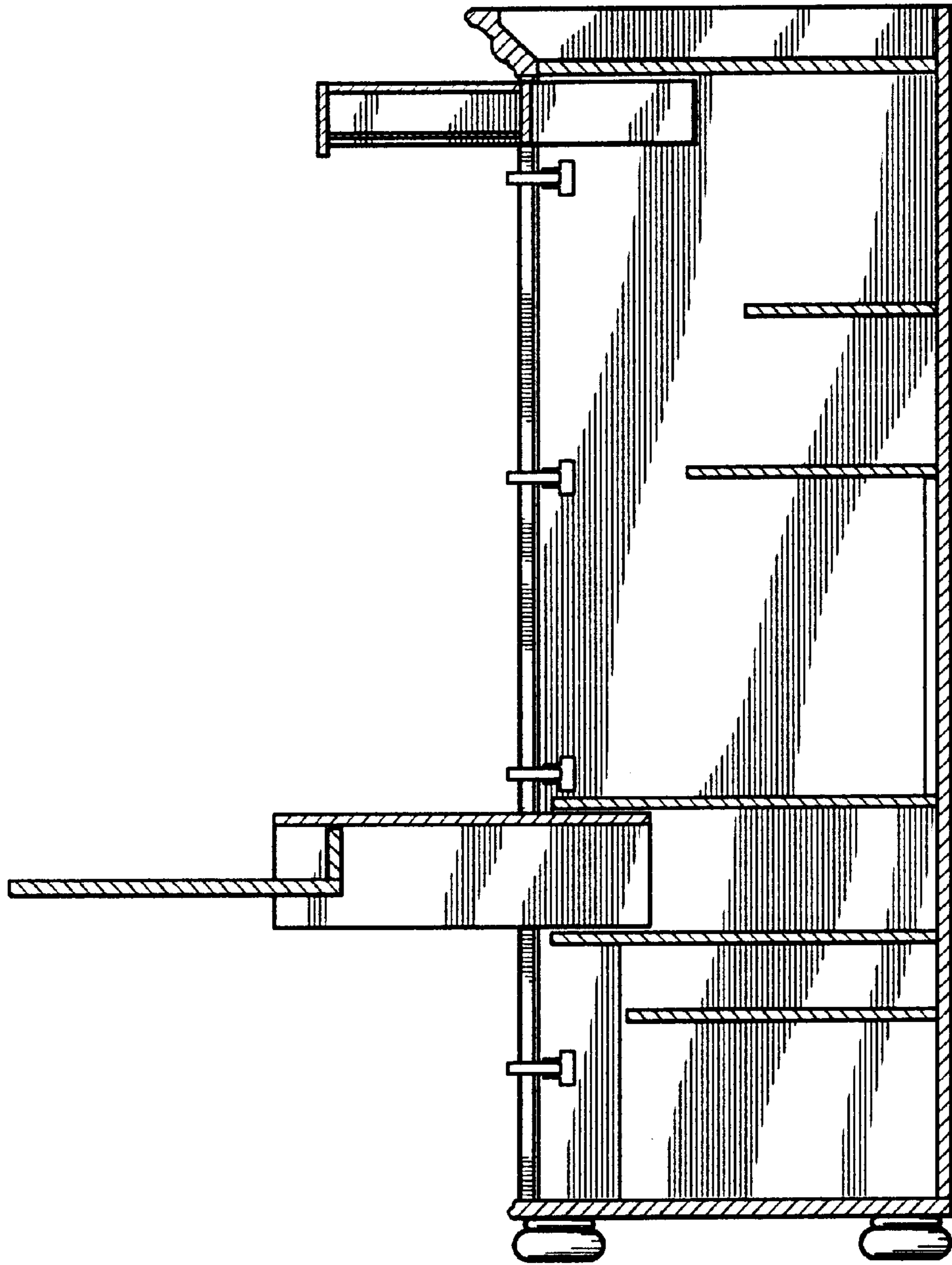


Fig. 10