



US00D440073S

(12) **United States Design Patent**  
**Cain**

(10) **Patent No.:** **US D440,073 S**

(45) **Date of Patent:** **\*\* Apr. 10, 2001**

(54) **DRESSER**

(75) Inventor: **Charles C. Cain**, High Point, NC (US)

(73) Assignee: **Thomasville Furniture Industries, Inc.**, Thomasville, NC (US)

(\*\*) Term: **14 Years**

(21) Appl. No.: **29/095,065**

(22) Filed: **Oct. 15, 1998**

(51) **LOC (7) Cl.** ..... **06-04**

(52) **U.S. Cl.** ..... **D6/446**

(58) **Field of Search** ..... D6/432-448; 312/204,  
312/257

(56) **References Cited**

**U.S. PATENT DOCUMENTS**

- D. 141,376 \* 5/1945 Miller ..... D6/446
- D. 148,199 \* 12/1947 Tomlinson et al. .... D6/446
- D. 158,431 \* 5/1950 Bevelacqua ..... D6/446
- D. 170,856 \* 11/1953 Gershun ..... D6/446
- D. 176,404 \* 12/1955 Carr ..... D6/446
- D. 184,935 \* 4/1959 Hermann ..... D6/446
- D. 193,717 \* 10/1962 Deaton ..... D6/446

**OTHER PUBLICATIONS**

Sideboard, Trafalger Square Collection, Thomasville Furniture Industries, Inc., p. 15, 1998.

Rope Moulding, The Book of Carved Wood Decoration, Klise Manufacturing Company, p. 136, 1987.

\* cited by examiner

*Primary Examiner*—Cathron B. Matta

(74) *Attorney, Agent, or Firm*—Rhodes & Mason, P.L.L.C.

(57) **CLAIM**

The ornamental design for a dresser, as shown and described.

**DESCRIPTION**

FIG. 1 is a left front perspective view of a dresser showing my new design;

FIG. 2 is a side view, the opposite side being a mirror image thereof;

FIG. 3 is a front elevational view thereof;

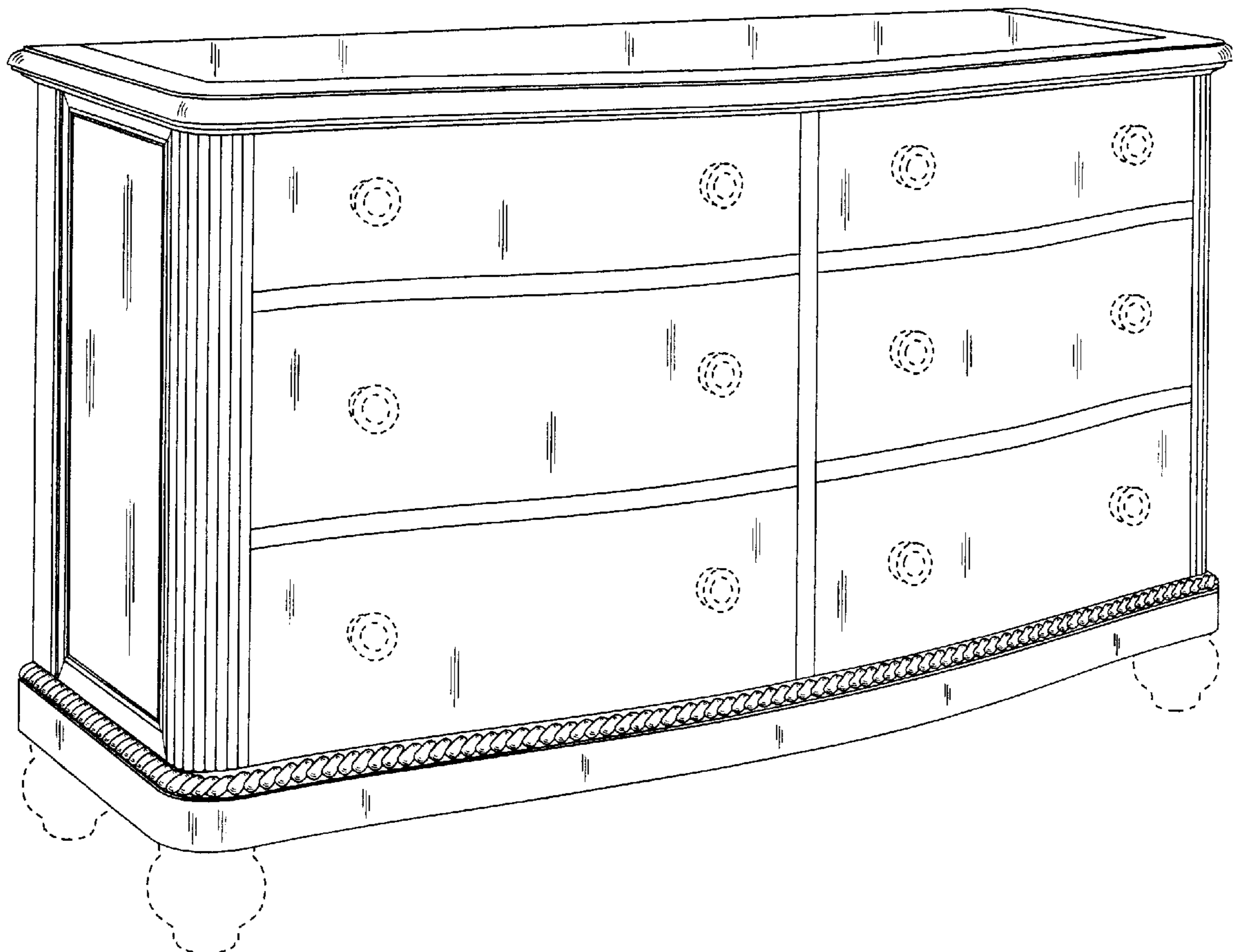
FIG. 4 is a top view thereof; and,

FIG. 5 is an enlarged partial perspective view thereof.

The bottom and rear views of the design are not shown and form no part of the claimed design.

The broken line showing of hardware and of feet/legs is for illustrative purposes only and forms no part of the claimed design.

**1 Claim, 4 Drawing Sheets**



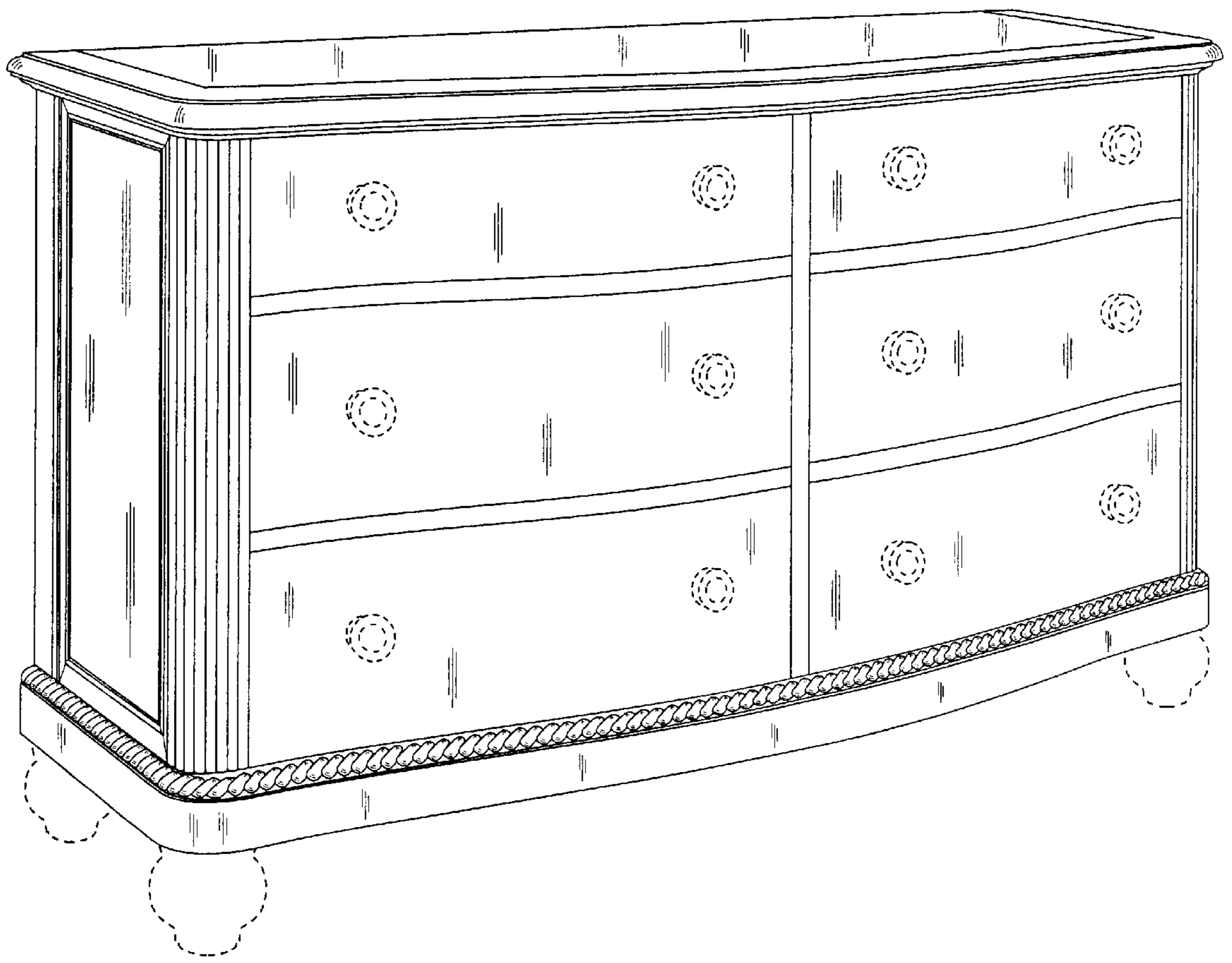
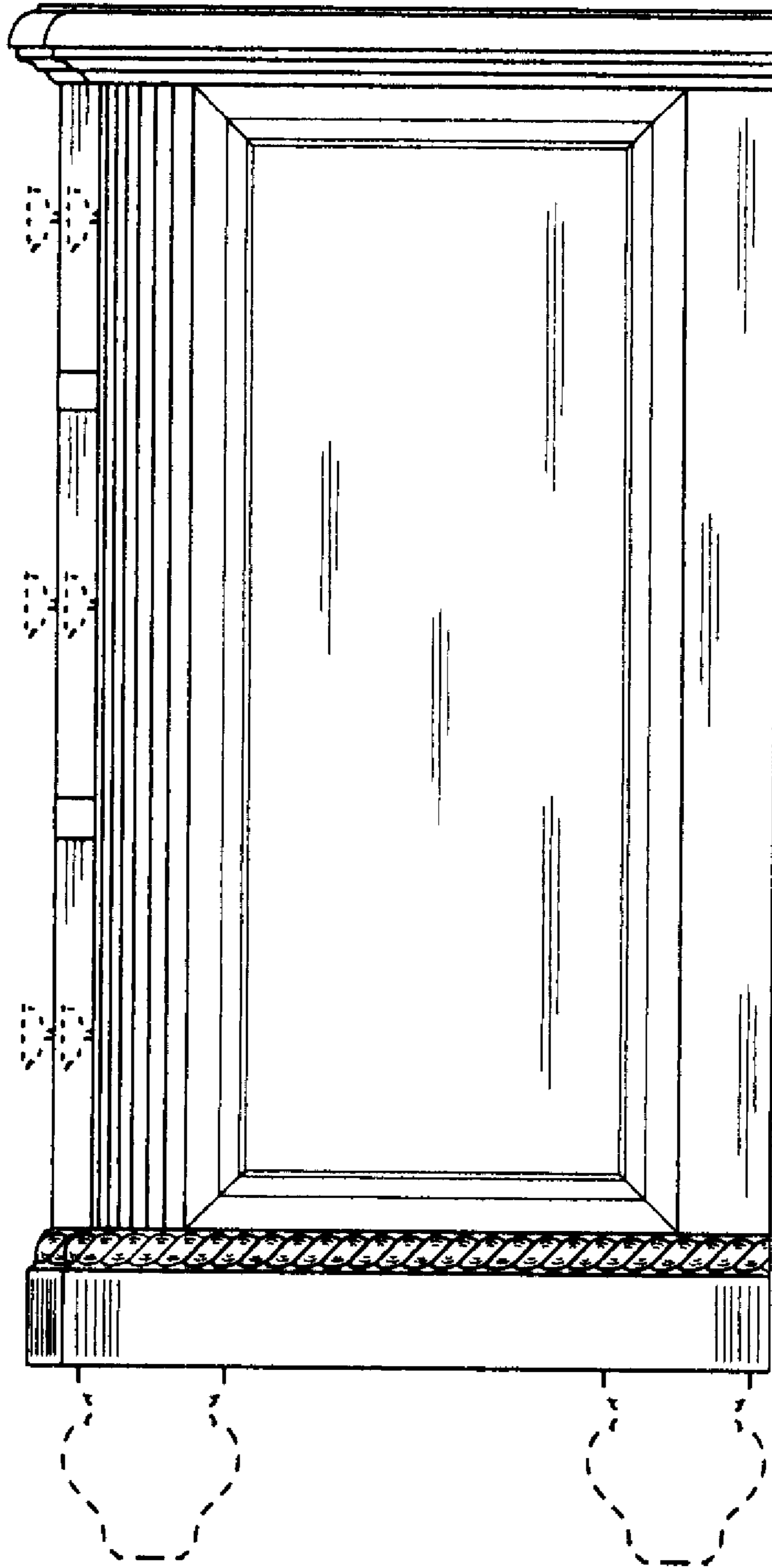


FIG. 1



**FIG. 2**

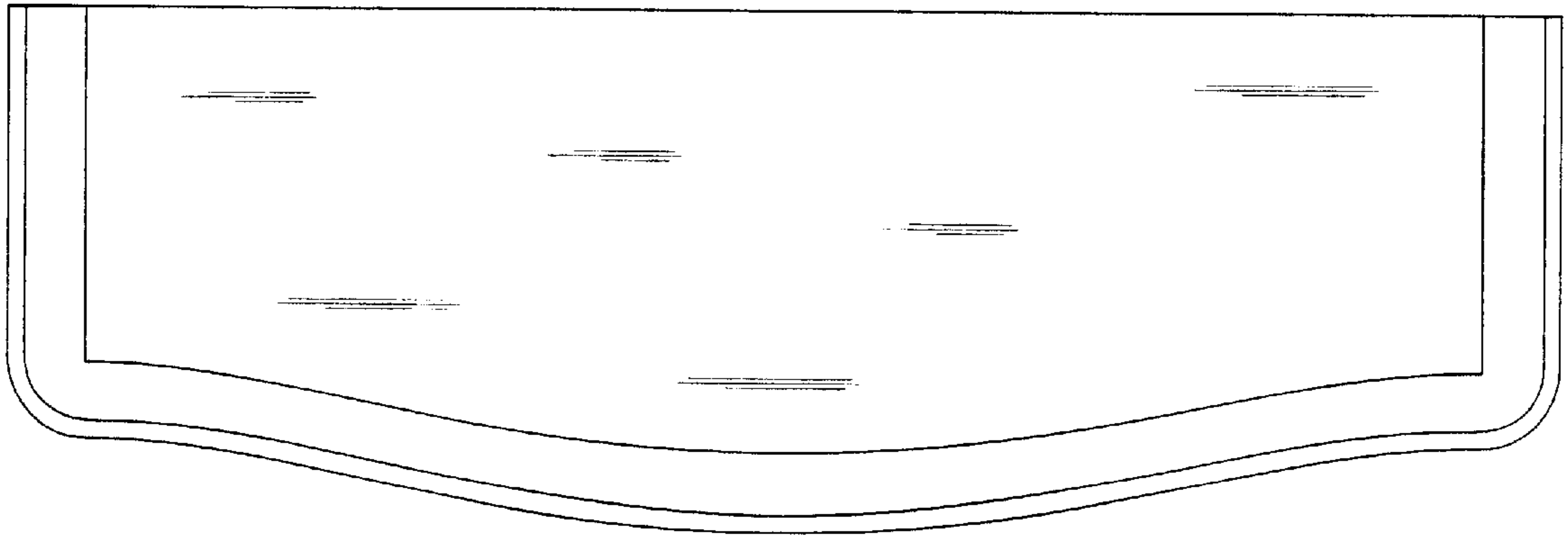


FIG. 4

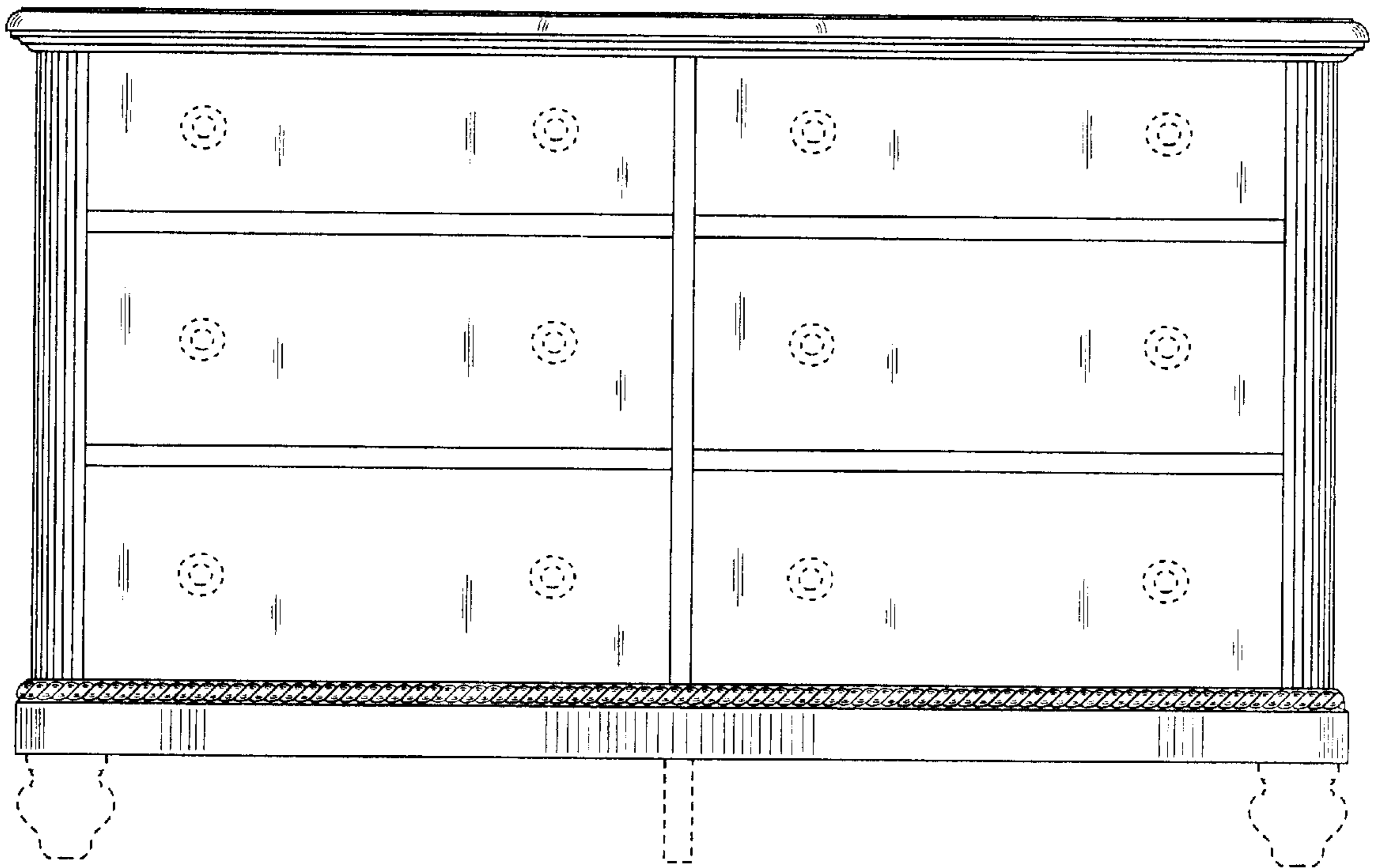


FIG. 3

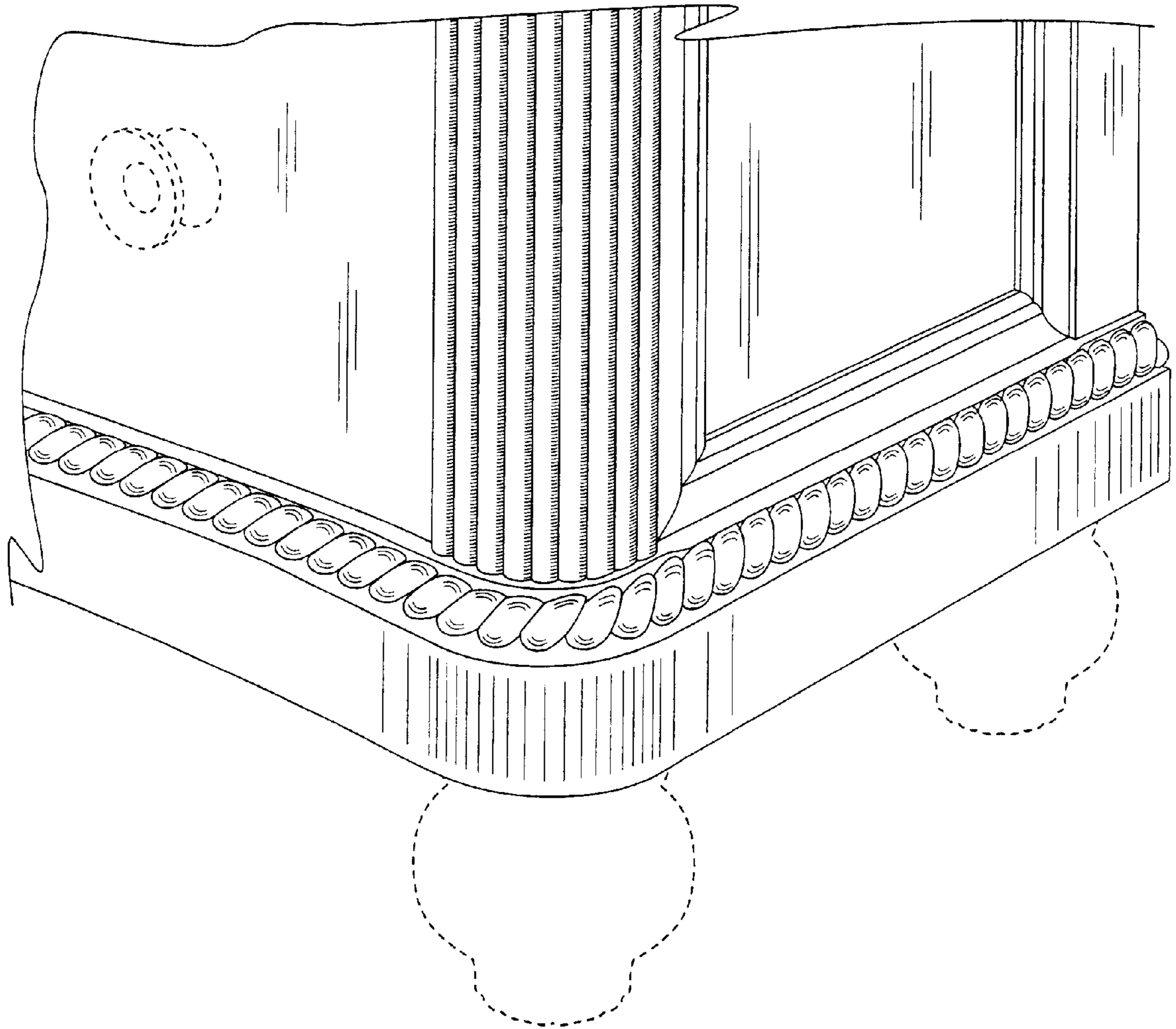


FIG. 5