



US00D440070S

(12) **United States Design Patent**  
**Goodworth et al.**

(10) **Patent No.:** **US D440,070 S**

(45) **Date of Patent:** **\*\* Apr. 10, 2001**

(54) **FOLDING TABLE**

(74) *Attorney, Agent, or Firm*—Buchanan Ingersoll, P.C.

(75) Inventors: **Matthew W. Goodworth**, Pittsburgh;  
**Joy L. Cottrill**, Verona; **William E. Adams**, Portersville, all of PA (US)

(57) **CLAIM**

The ornamental design for a folding table, as shown and described.

(73) Assignee: **Adams Mfg. Corp.**, Portersville, PA (US)

**DESCRIPTION**

(\*\*) Term: **14 Years**

(21) Appl. No.: **29/126,719**

FIG. 1 is a front perspective view of our folding table from the upper right side;

(22) Filed: **Jul. 21, 2000**

FIG. 2 is a top plan view of our folding table;

(51) **LOC (7) Cl.** ..... **06-03**

FIG. 3 is a front elevational view of our folding table;

(52) **U.S. Cl.** ..... **D6/429; D6/480**

FIG. 4 is a left side elevational view of our folding table;

(58) **Field of Search** ..... D6/480–489, 429–431, D6/495, 511; 108/151, 153.1, 156, 157.1, 161, 118, 120, 144, 146; 248/188, 188.1

FIG. 5 is a bottom plan view of our folding table;

FIG. 6 is a right side elevational view of our folding table;

(56) **References Cited**

**U.S. PATENT DOCUMENTS**

- D. 388,638 \* 1/1998 Ludlam et al. .... D6/480
- D. 394,361 5/1998 Adams et al. .
- D. 407,235 3/1999 Cunningham et al. .
- 4,229,038 \* 10/1980 Drost ..... 297/139

FIG. 7 is a back elevational view of our folding table;

FIG. 8 is a front perspective view showing the fully unfolded table—ready for use;

FIG. 9 is a front perspective view showing the table with legs folded together; and,

**OTHER PUBLICATIONS**

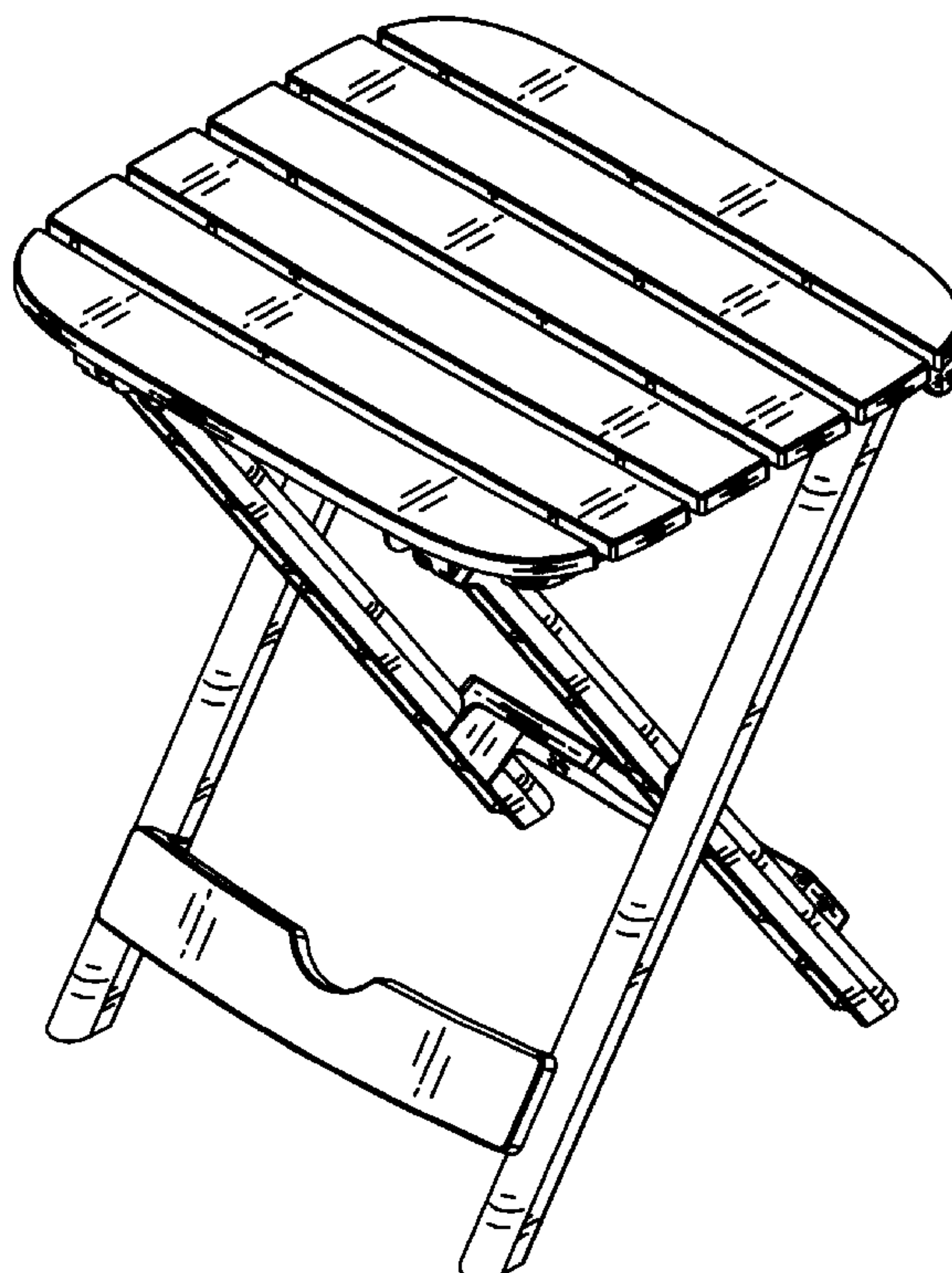
IKEA c1990, p. 75, table at top left.\*

FIG. 10 is a front perspective view showing the fully unfolded table—ready to carry or store.

\* cited by examiner

*Primary Examiner*—Janice E. Seeger

**1 Claim, 5 Drawing Sheets**



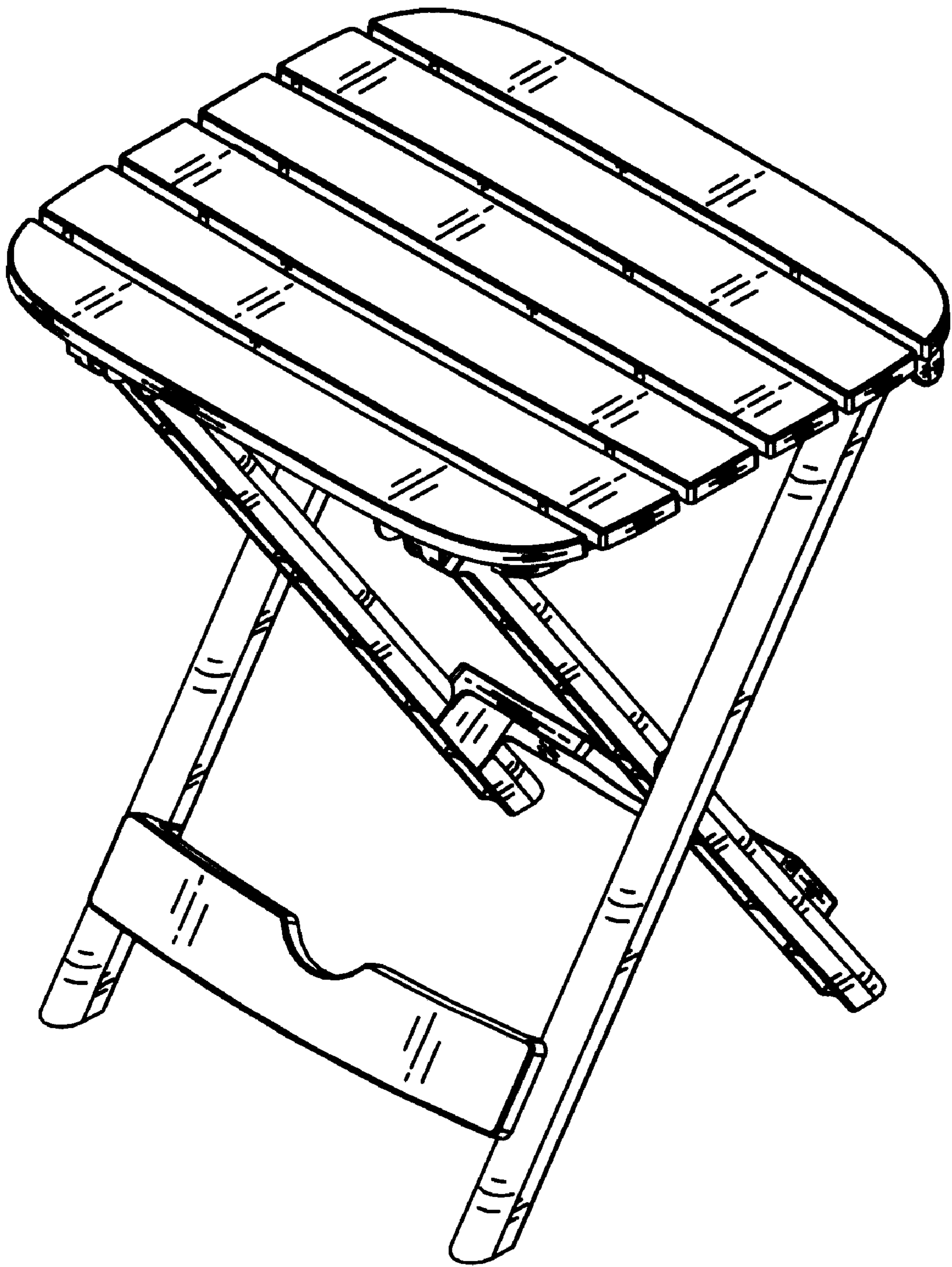


FIGURE 1

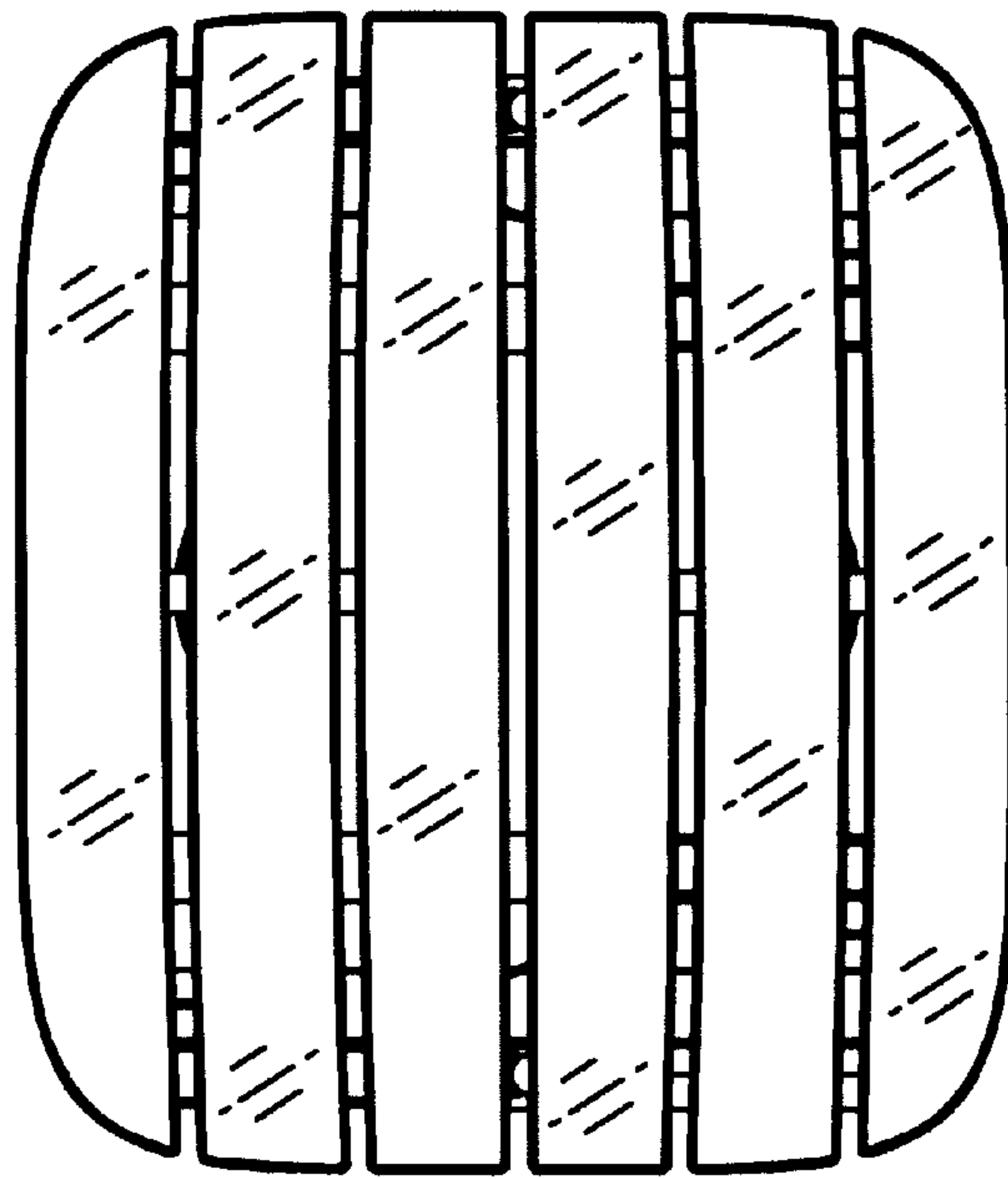


FIGURE 2

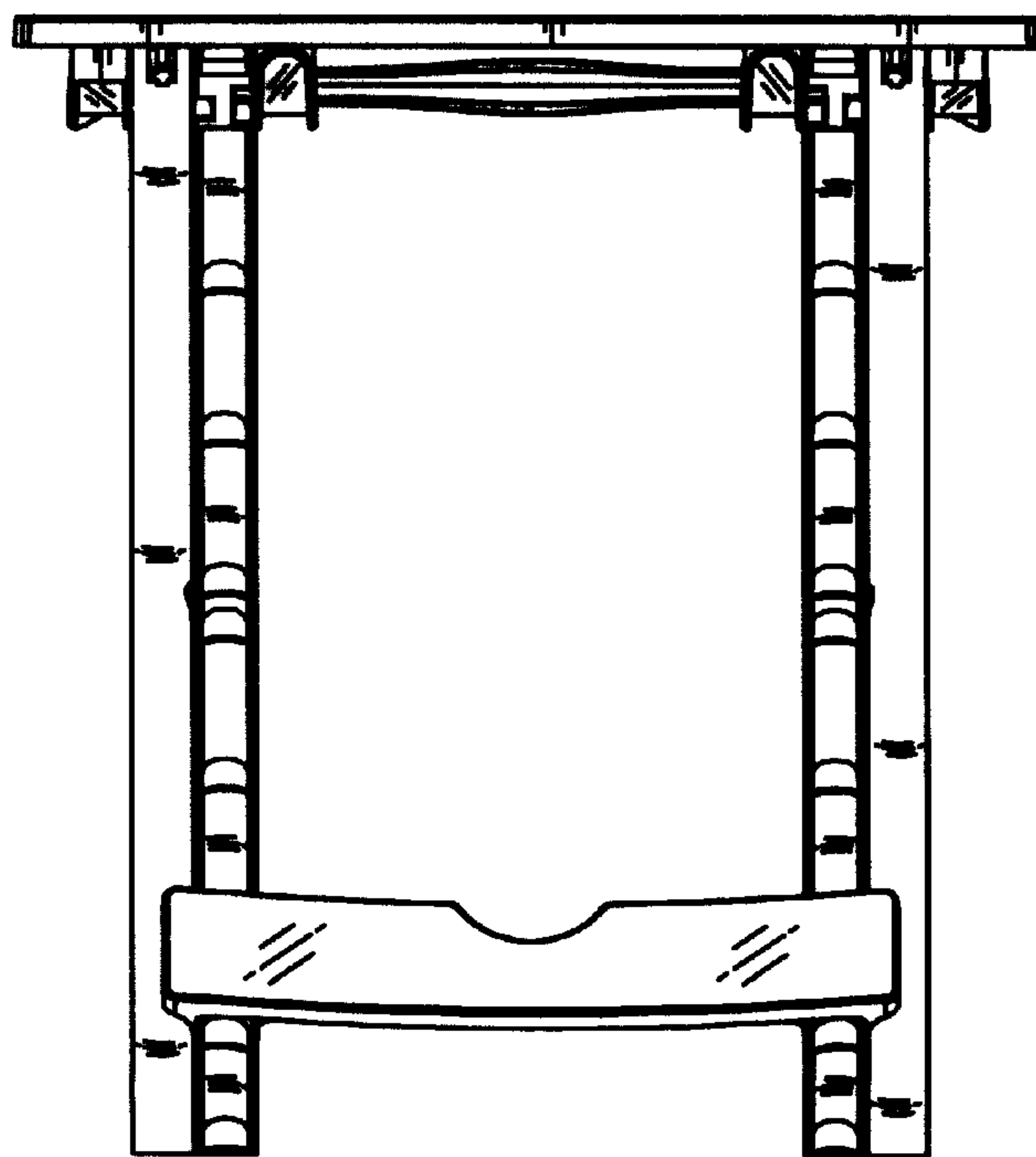


FIGURE 3

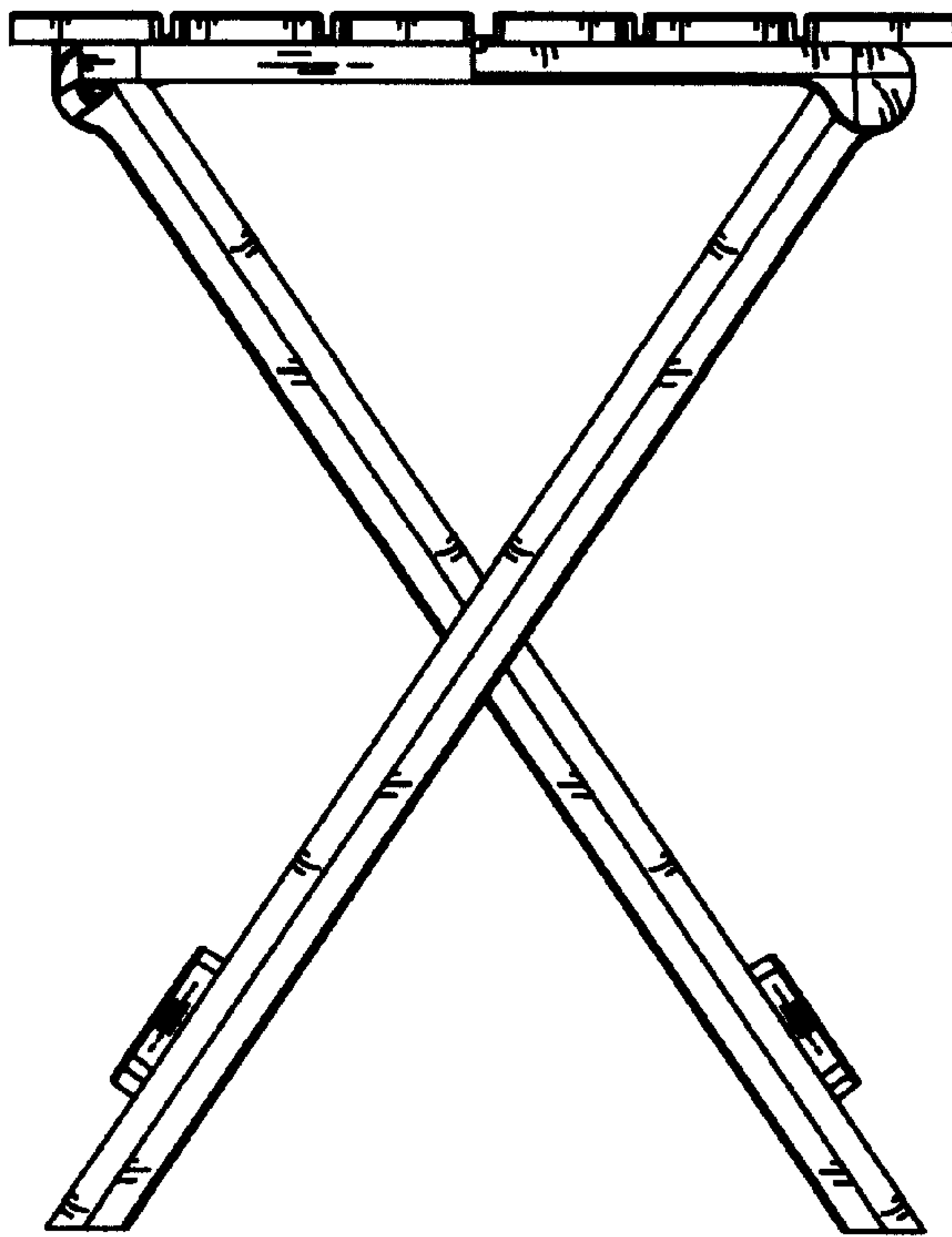


FIGURE 4

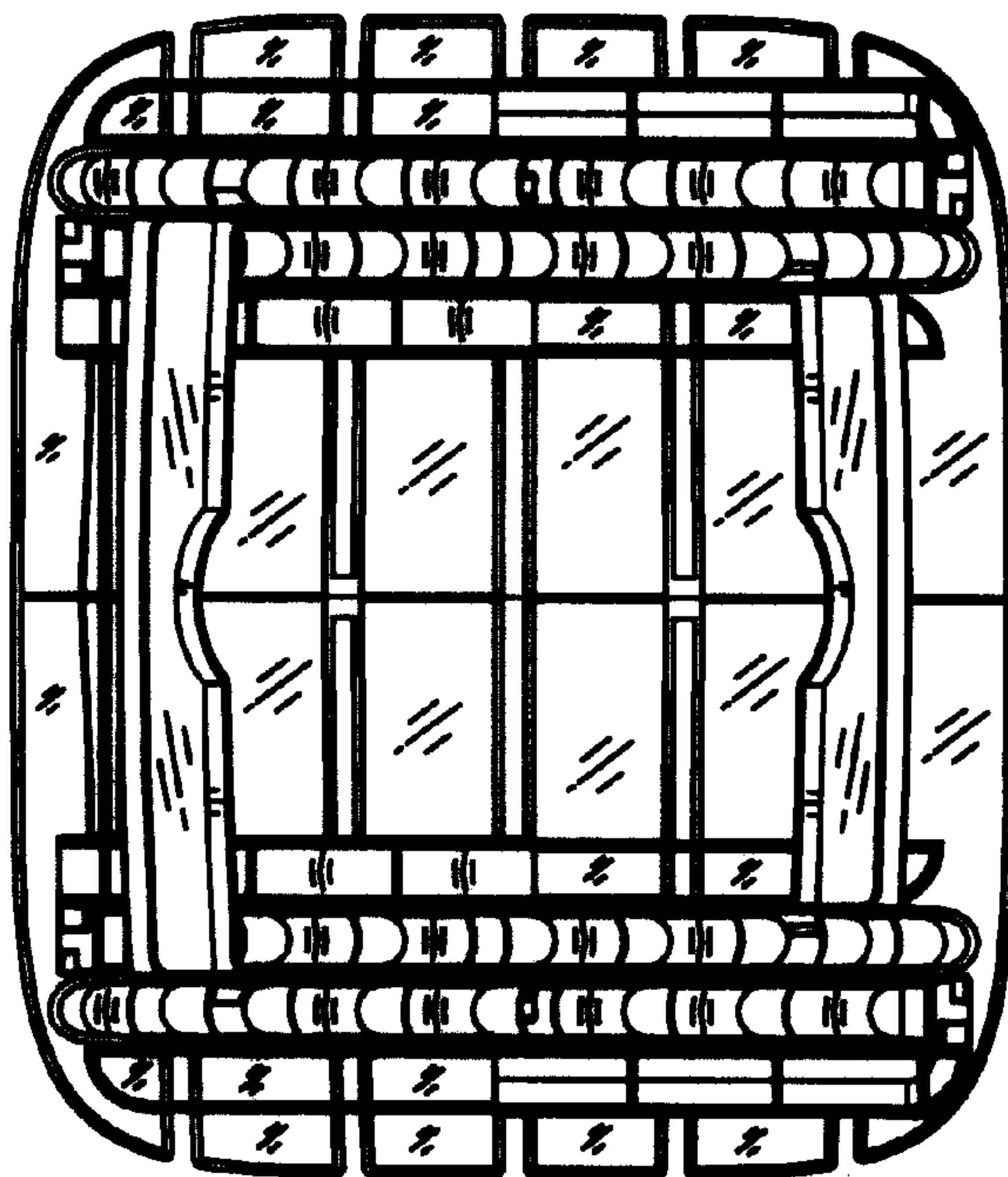


FIGURE 5



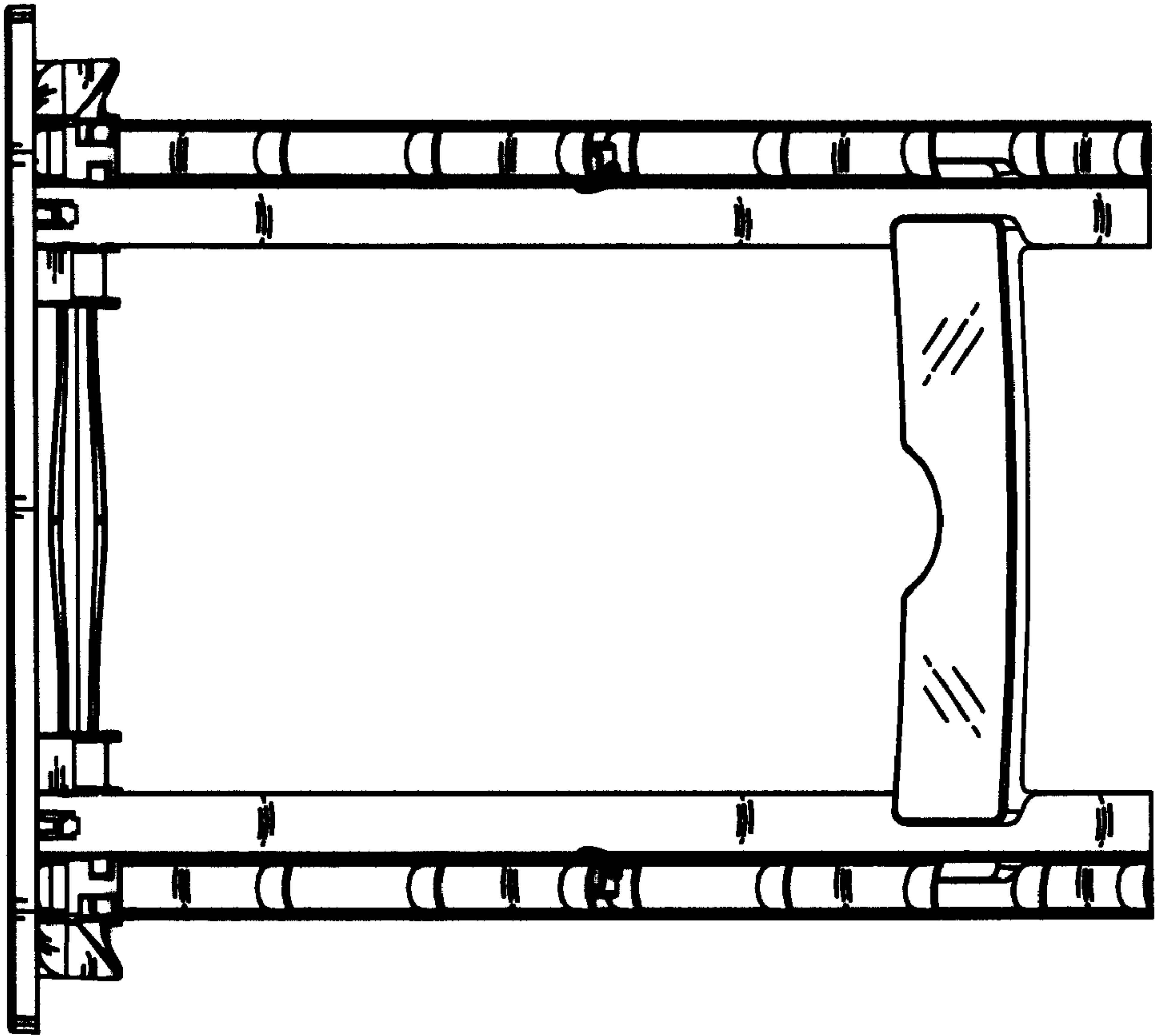


FIGURE 7

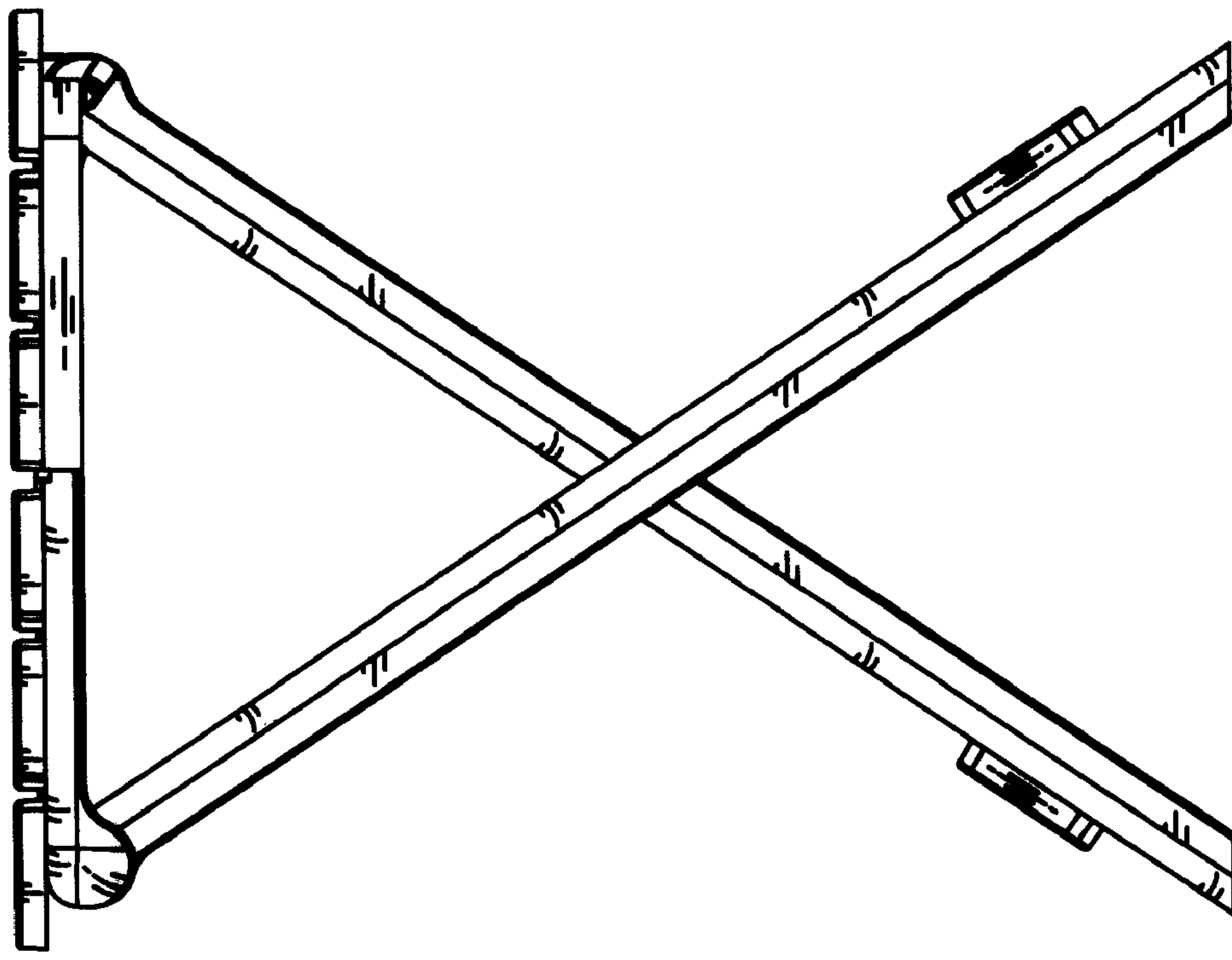


FIGURE 6

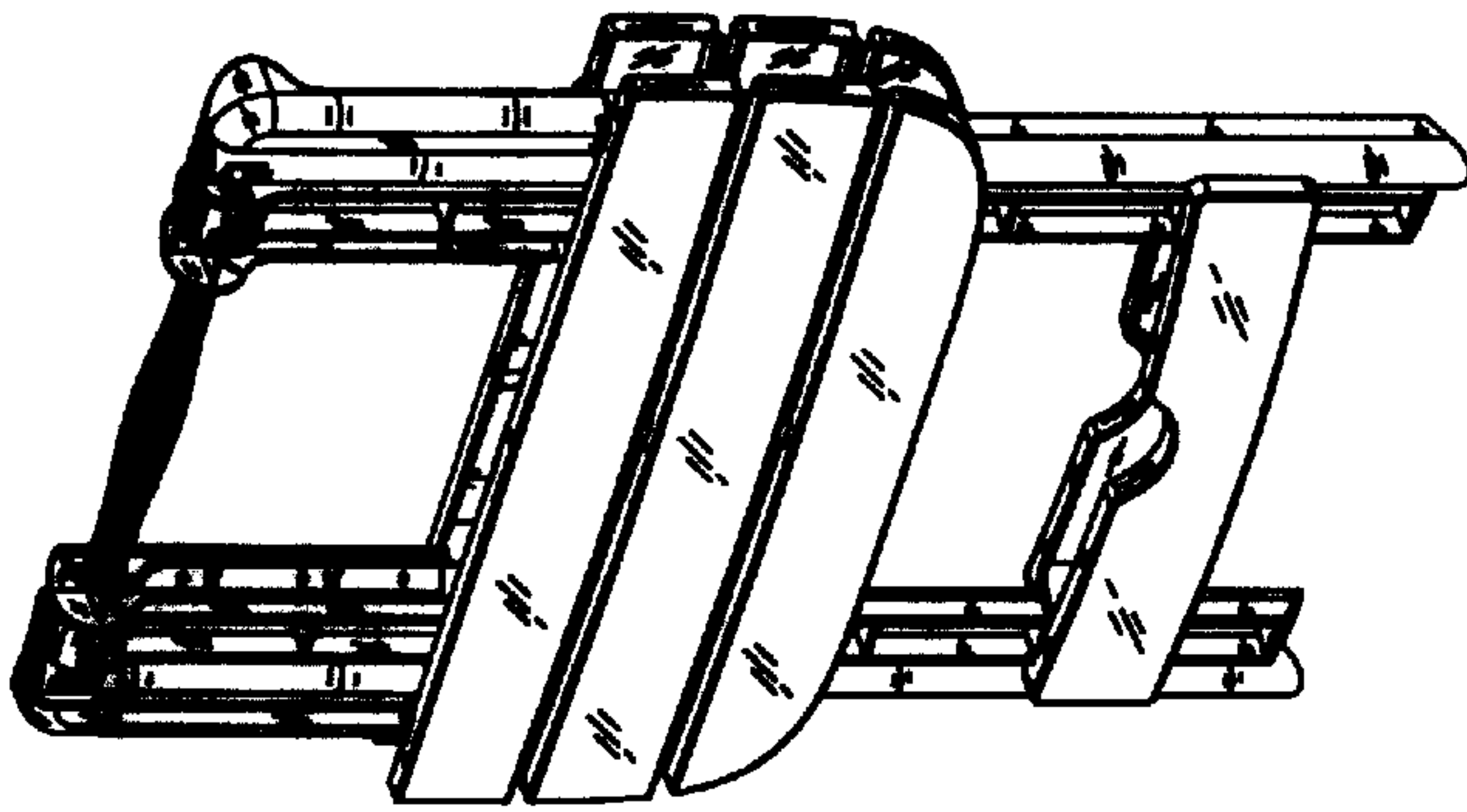


FIGURE 10

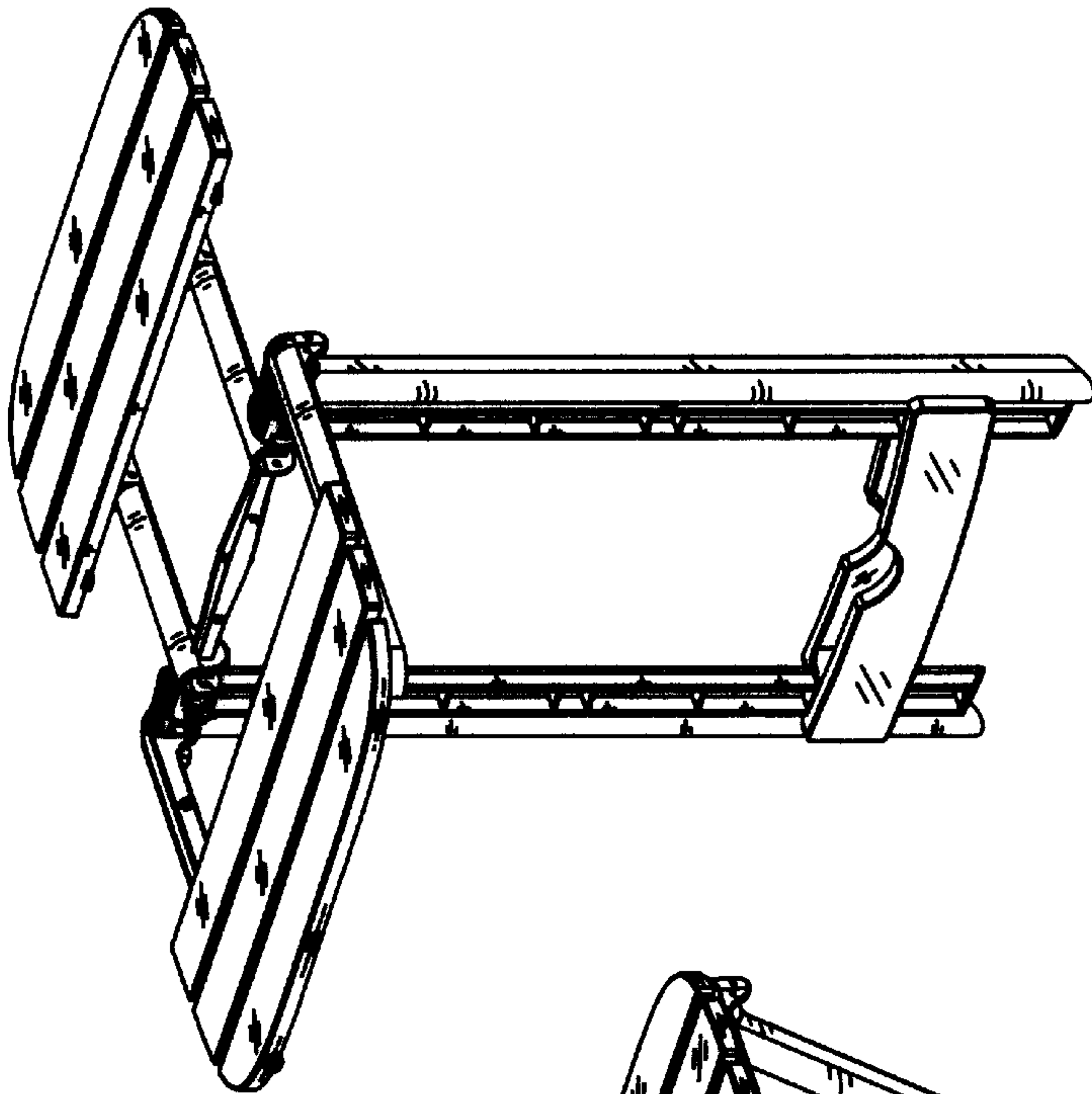


FIGURE 9

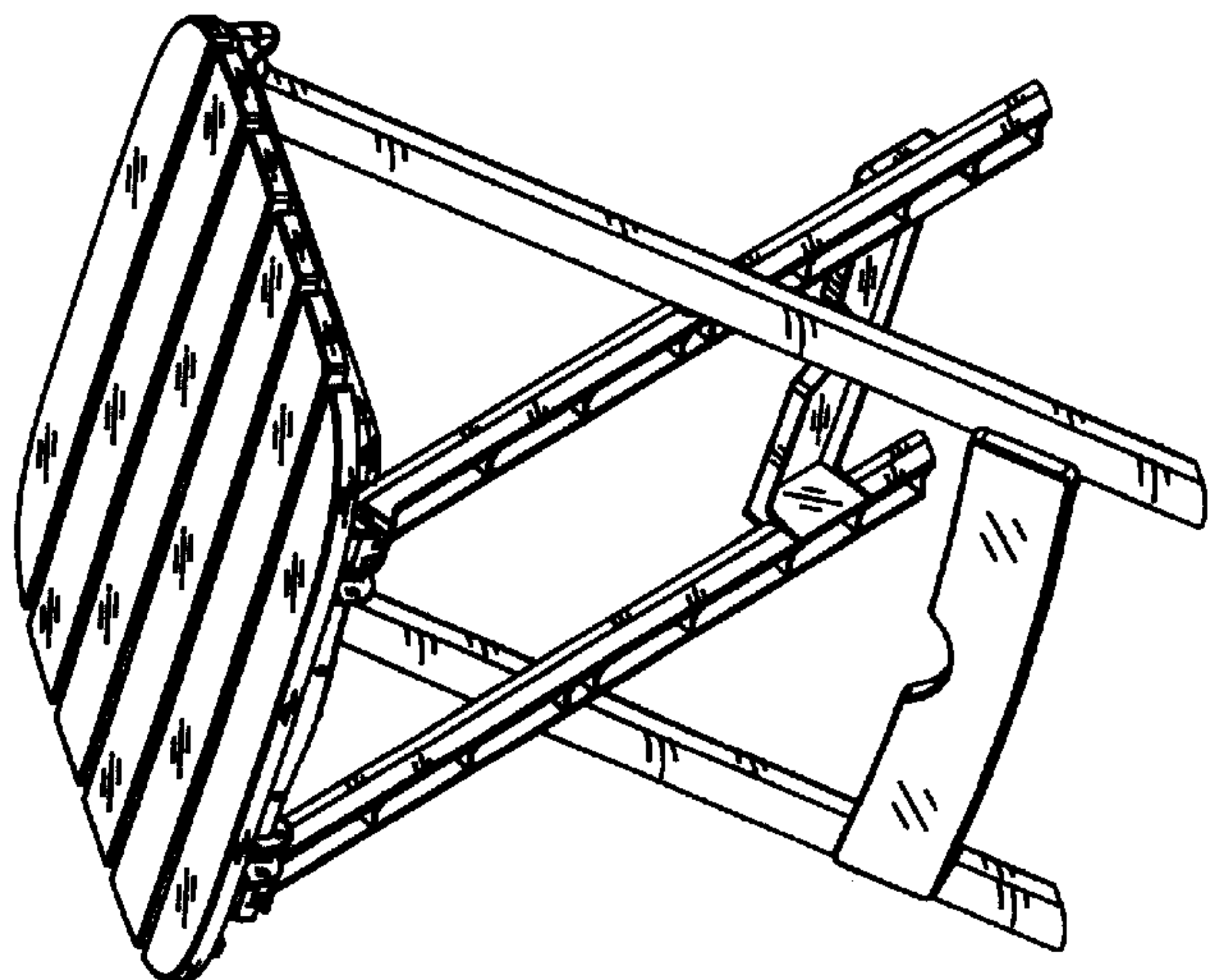


FIGURE 8