



US00D440068S

(12) **United States Design Patent**  
**Bräuning**

(10) **Patent No.:** **US D440,068 S**

(45) **Date of Patent:** **\*\* Apr. 10, 2001**

(54) **OFFICE FURNITURE**

(75) **Inventor:** **Egon Bräuning, Weil am Rhein (DE)**

(73) **Assignee:** **Vitra Patente AG, MuttENZ (CH)**

(\*\*) **Term:** **14 Years**

(21) **Appl. No.:** **29/103,633**

(22) **Filed:** **Apr. 19, 1999**

(30) **Foreign Application Priority Data**

Oct. 20, 1998 (XH) ..... DM/045 532

(51) **LOC (7) Cl.** ..... **06-03**

(52) **U.S. Cl.** ..... **D6/421; D6/480**

(58) **Field of Search** ..... D6/480-489, 422-428,  
D6/495; 108/50.01, 50.02, 153.1, 155, 156,  
161; 248/188, 188.1; 312/194-196, 204,  
208.1

(56) **References Cited**

**U.S. PATENT DOCUMENTS**

D. 176,172 \* 11/1955 Baumker ..... D6/425

D. 200,649 \* 3/1965 Johnson ..... D6/426

D. 215,162 \* 9/1969 Robichaud ..... D6/420

3,079,473 \* 2/1963 Hoven et al. .... D6/421

\* cited by examiner

*Primary Examiner*—Janice E. Seeger

(74) *Attorney, Agent, or Firm*—Selitto & Associates

(57) **CLAIM**

The ornamental design for office furniture, as shown and described.

**DESCRIPTION**

FIG. 1 is a front perspective view of office furniture showing my new design, with environmental structure being shown in phantom and forming no part of the claimed design;

FIG. 2 is a front elevational view thereof;

FIG. 3 is a rear elevational view thereof;

FIG. 4 is a left side elevational view thereof;

FIG. 5 is a right side elevational view thereof;

FIG. 6 is a top plan view thereof; and,

FIG. 7 is a bottom plan view thereof.

**1 Claim, 2 Drawing Sheets**

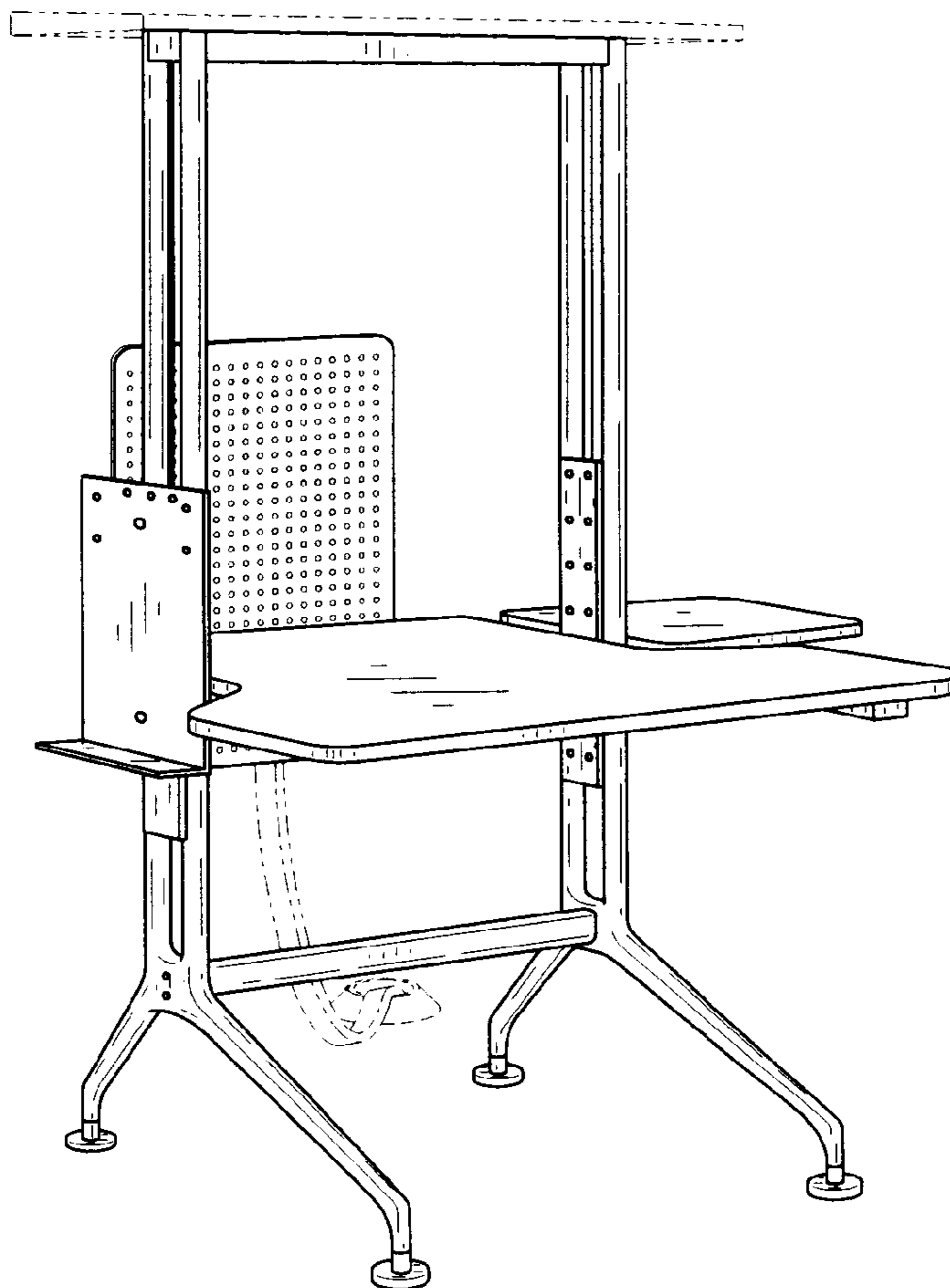


FIG. 1

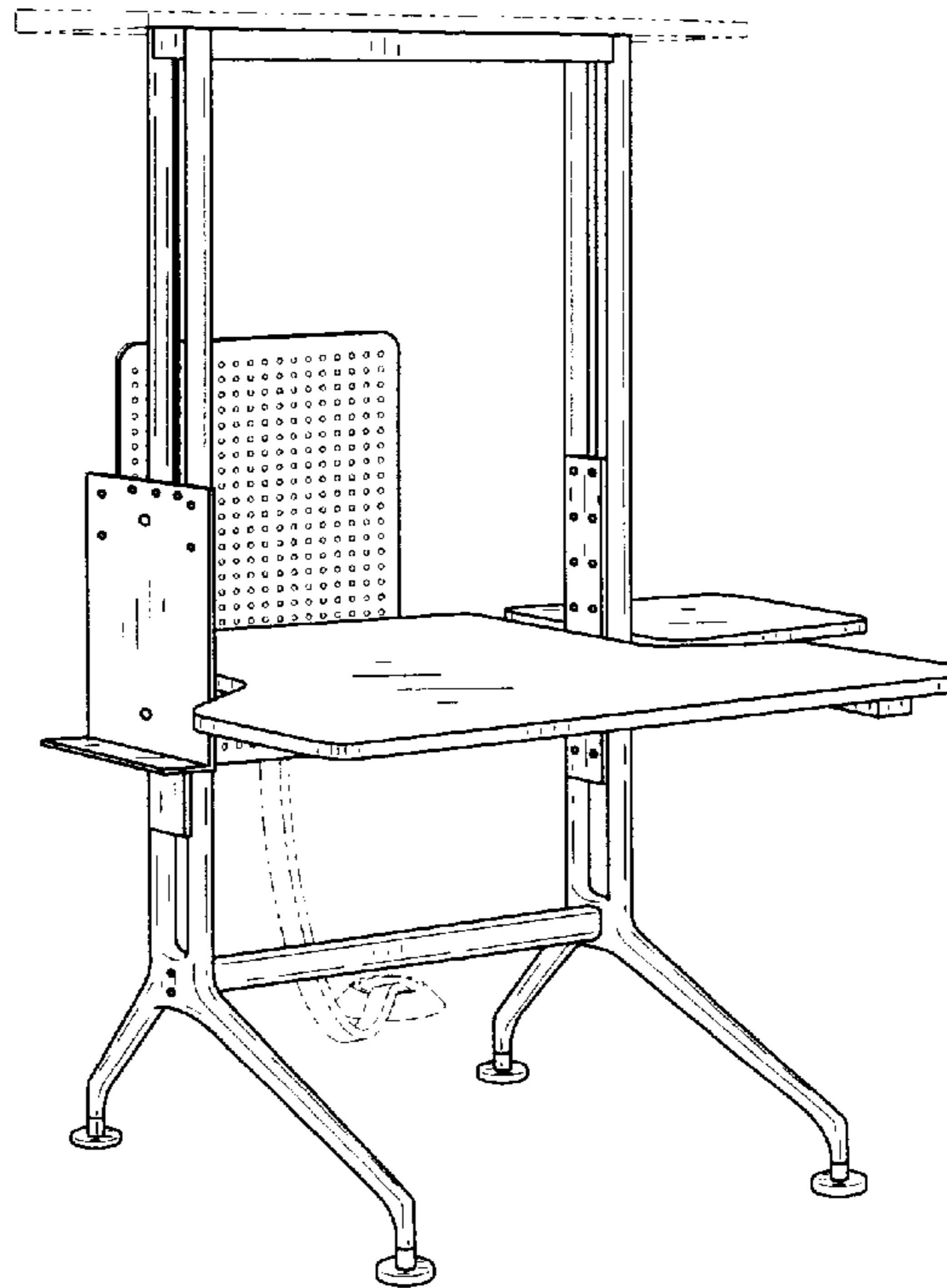


FIG. 2

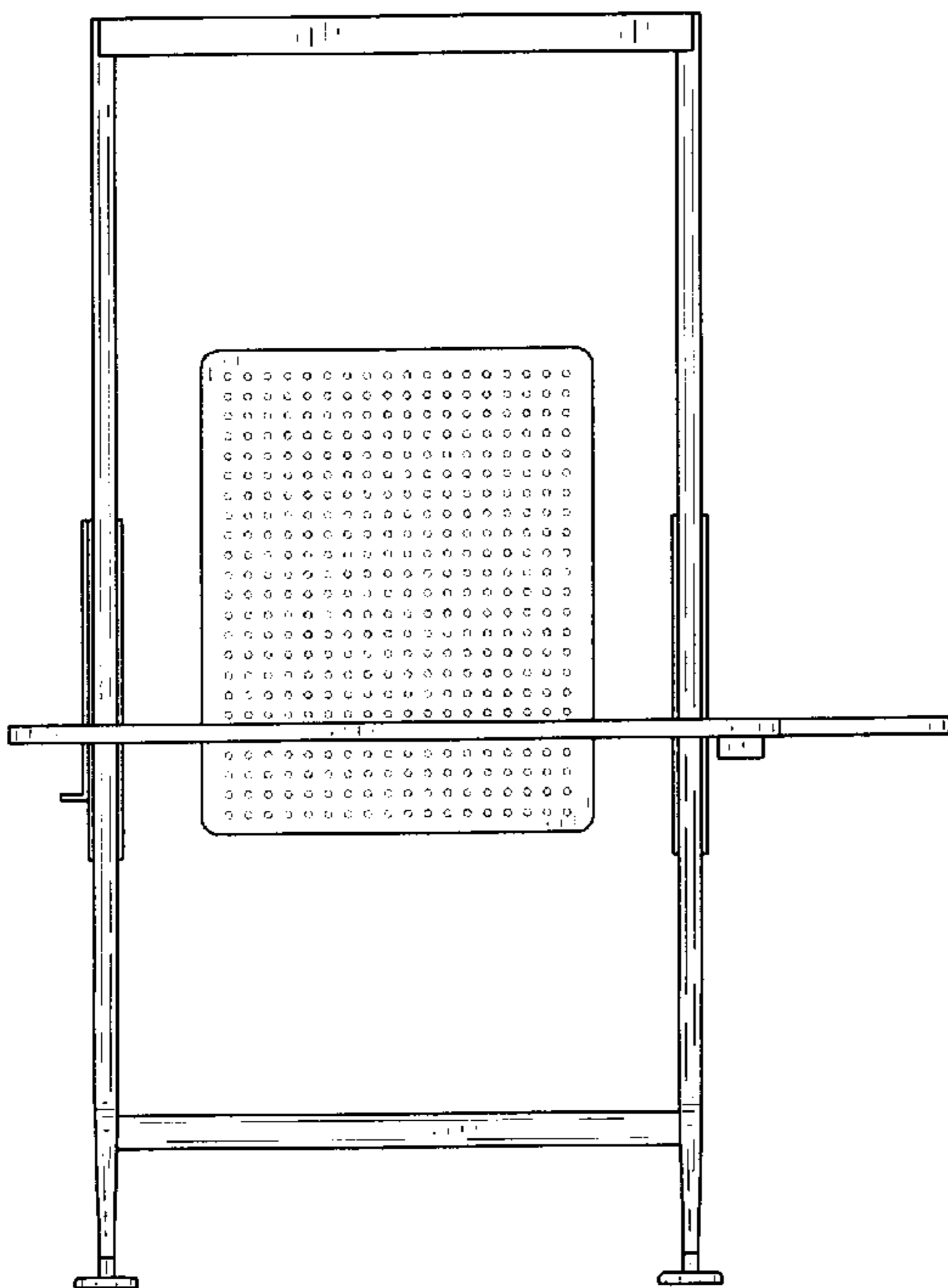


FIG. 3

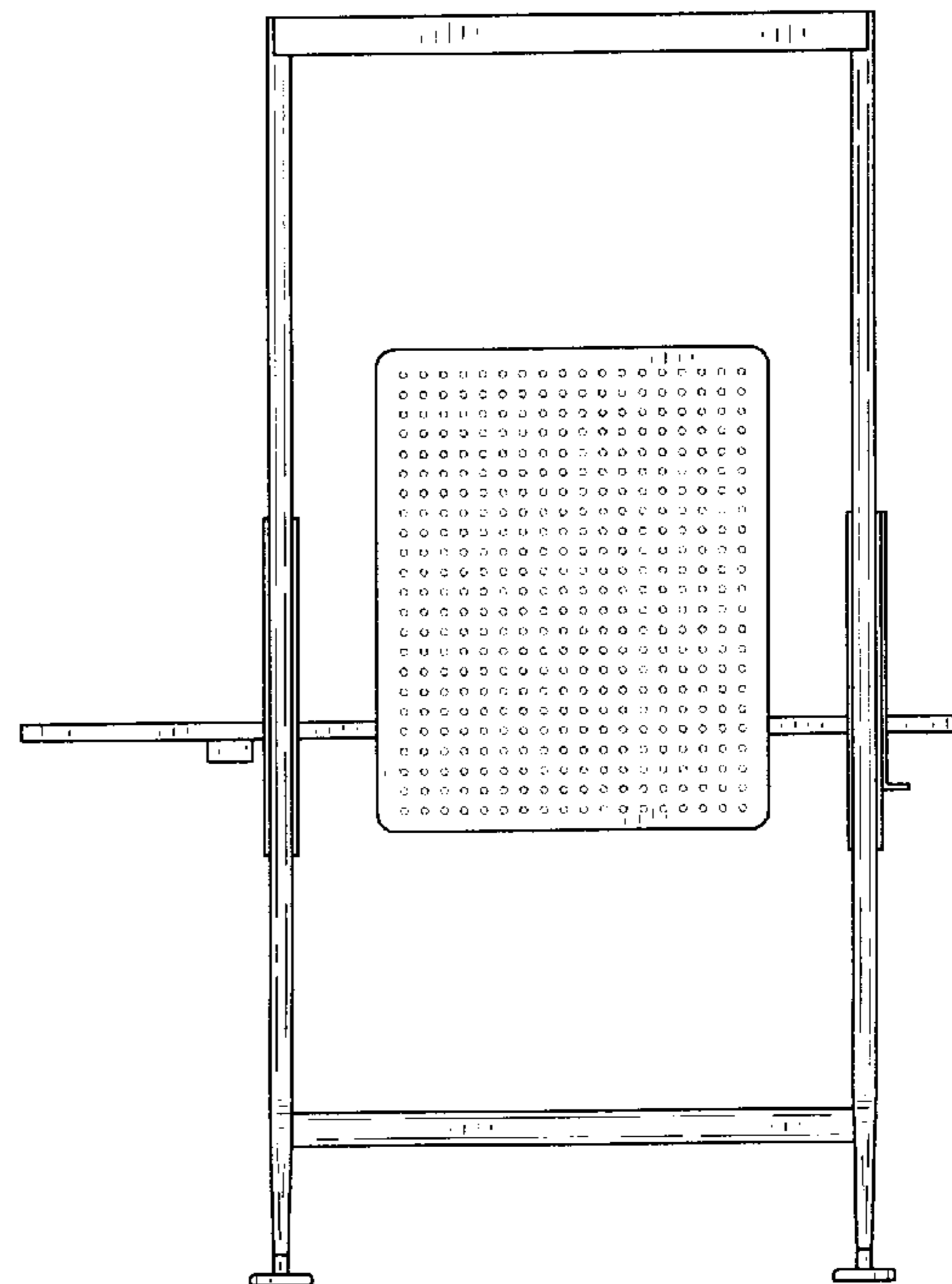


FIG. 4

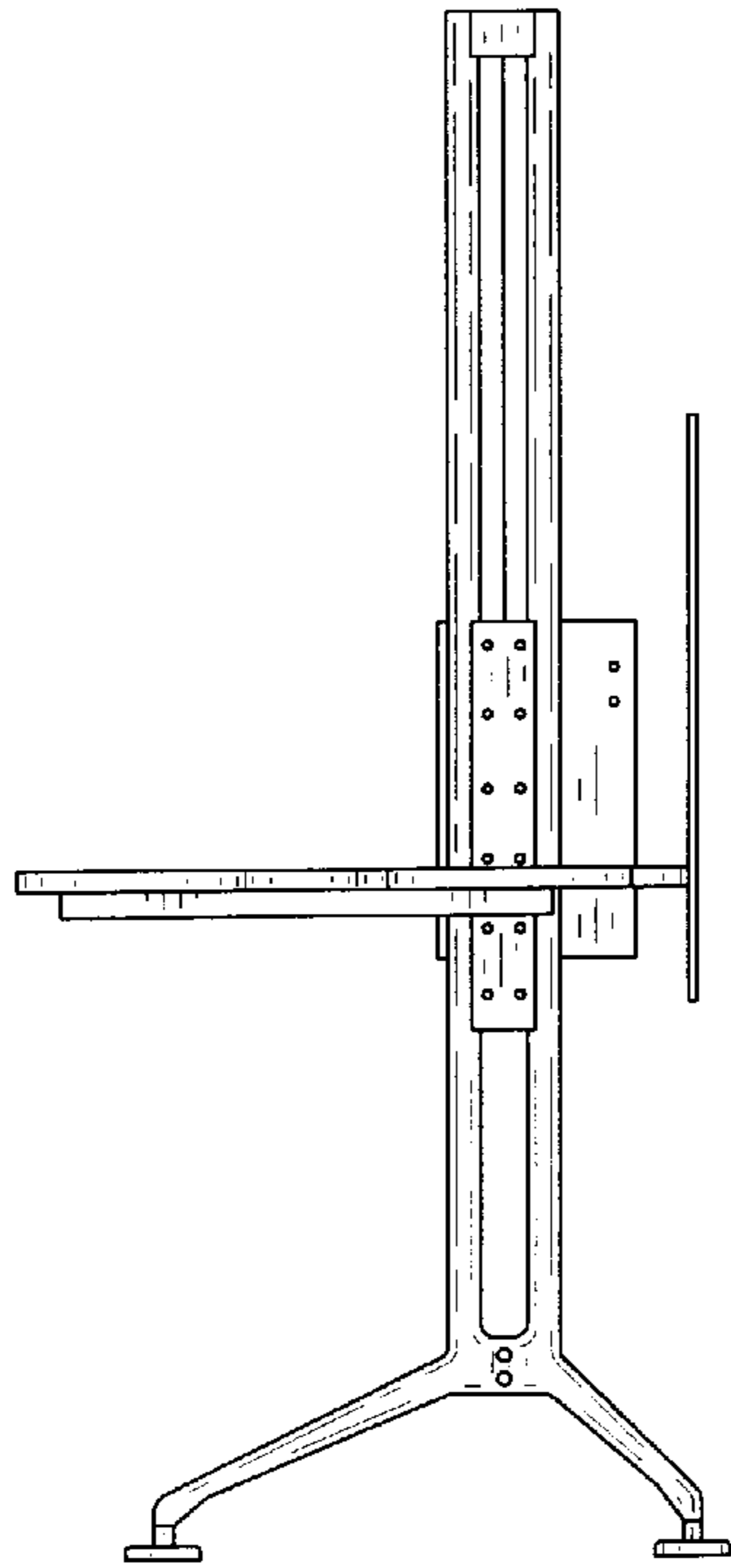


FIG. 5

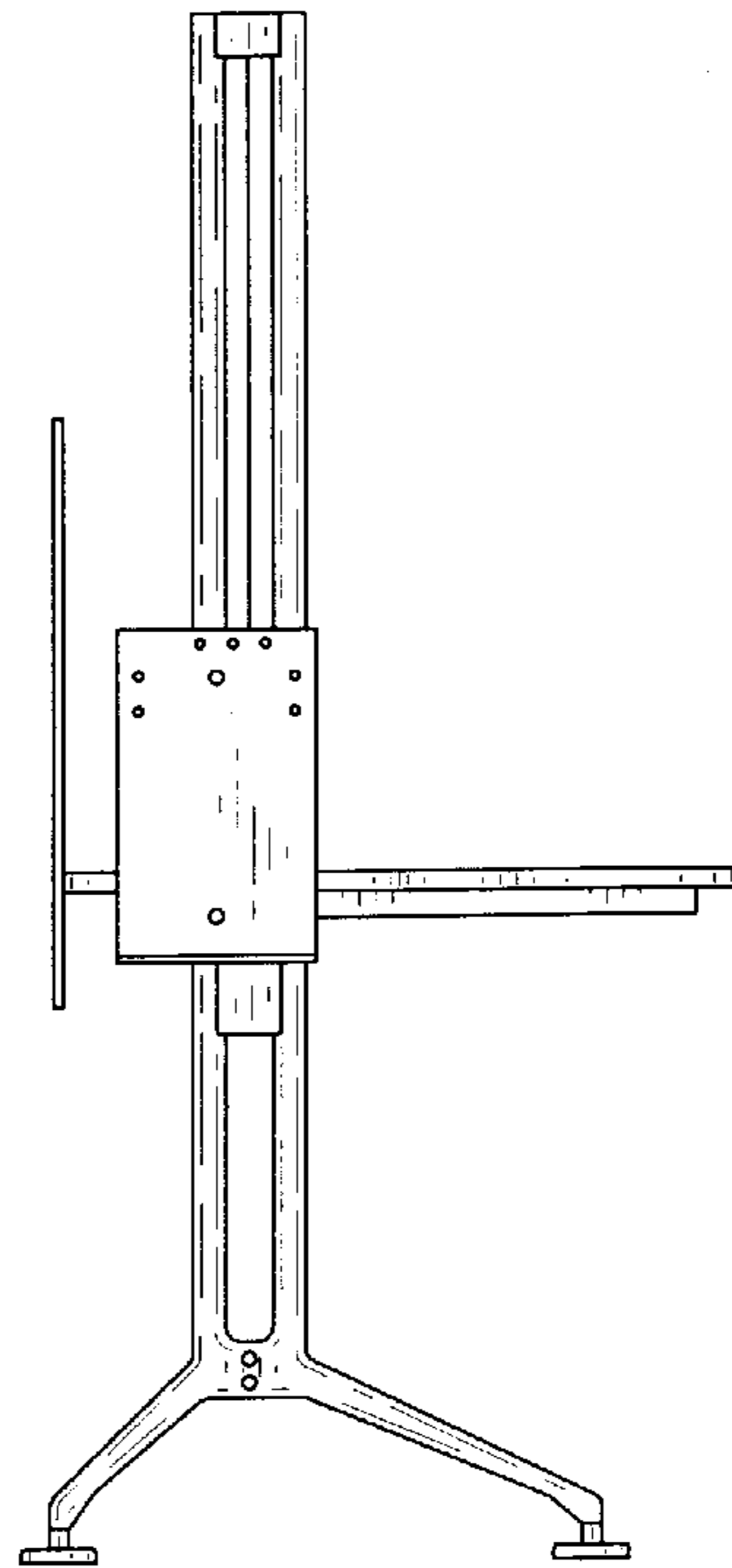


FIG. 6

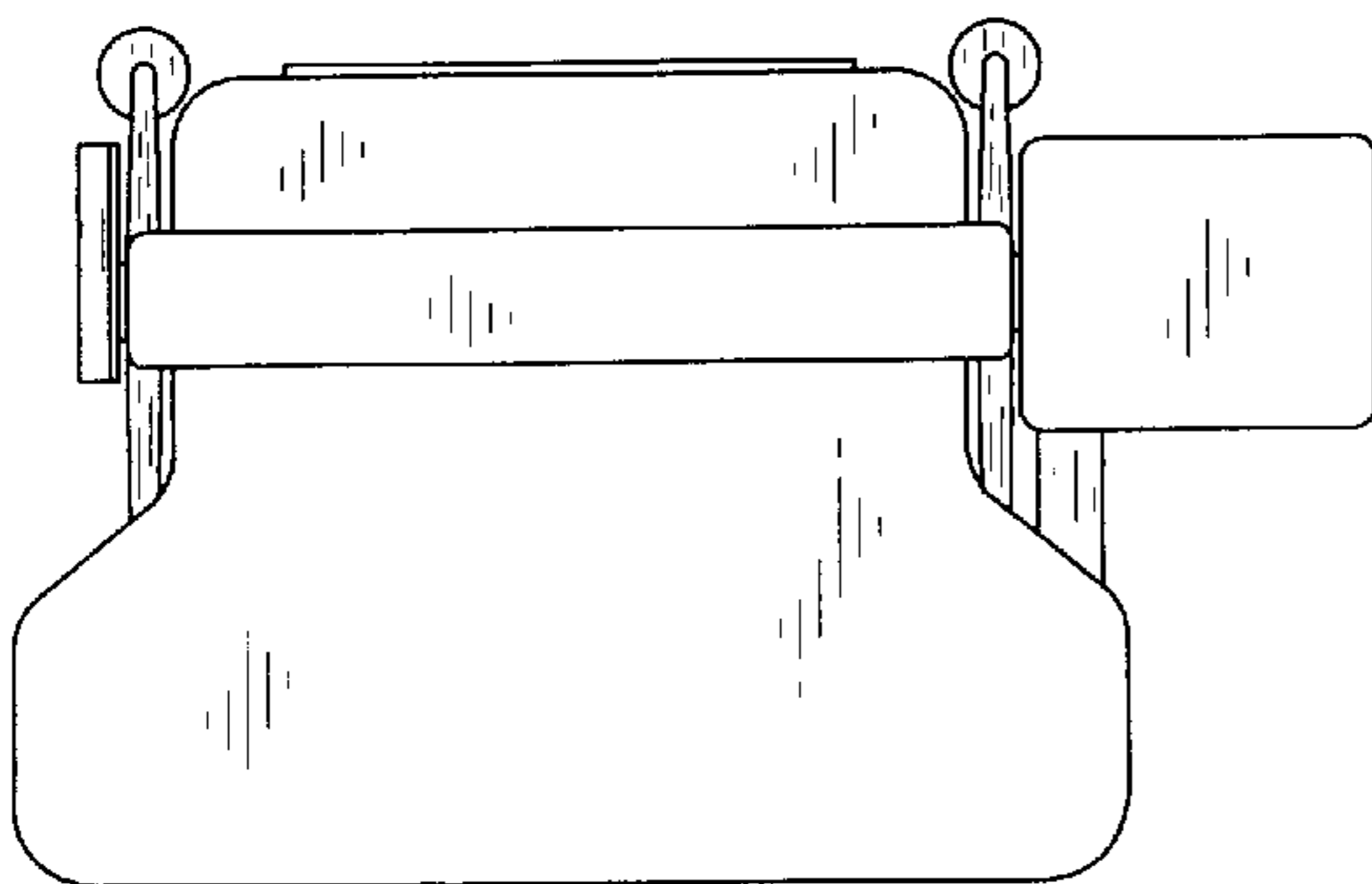


FIG. 7

