



US00D440057S

(12) **United States Design Patent**
Tseng

(10) **Patent No.: US D440,057 S**

(45) **Date of Patent: ** *Apr. 10, 2001**

(54) **SWING**

(75) **Inventor: Chuen-Jong Tseng, Chiayi Hsien (TW)**

(73) **Assignee: Shin Yen Enterprise Co., Ltd., Chiayi Hsien (TW)**

(*) **Notice:** This patent is subject to a terminal disclaimer.

(**) **Term:** **14 Years**

(21) **Appl. No.:** **29/115,122**

(22) **Filed:** **Dec. 8, 1999**

(51) **LOC (7) Cl.** **06-01**

(52) **U.S. Cl.** **D6/344**

(58) **Field of Search** D6/334, 335, 344, D6/346, 347, 374, 375, 500-502; 297/273, 277, 280, 281, 452.13, 452.19; 472/118, 125

(56) **References Cited**

U.S. PATENT DOCUMENTS

- D. 260,110 * 8/1981 Gomes D6/347
- D. 379,270 * 5/1997 Voyce D6/347
- D. 396,564 * 8/1998 Tseng D6/347

- D. 417,791 * 12/1999 Liu D6/347
- D. 423,802 * 5/2000 Tseng D6/347
- 4,351,524 * 9/1982 Gomes 297/280
- 4,917,378 * 4/1990 Girecky et al. 472/125
- 5,842,741 * 12/1998 Onorini 297/273
- 5,876,289 * 3/1999 Liu 472/125
- 6,001,021 * 12/1999 Battaglia 472/118

* cited by examiner

Primary Examiner—Doris V. Coles

Assistant Examiner—Mimosa De

(74) *Attorney, Agent, or Firm*—Ladas & Parry

(57) **CLAIM**

The ornamental design for swing, as shown and described.

DESCRIPTION

FIG. 1 is a perspective view of swing showing my new design;

FIG. 2 is a front elevational view thereof;

FIG. 3 is a rear elevational view thereof;

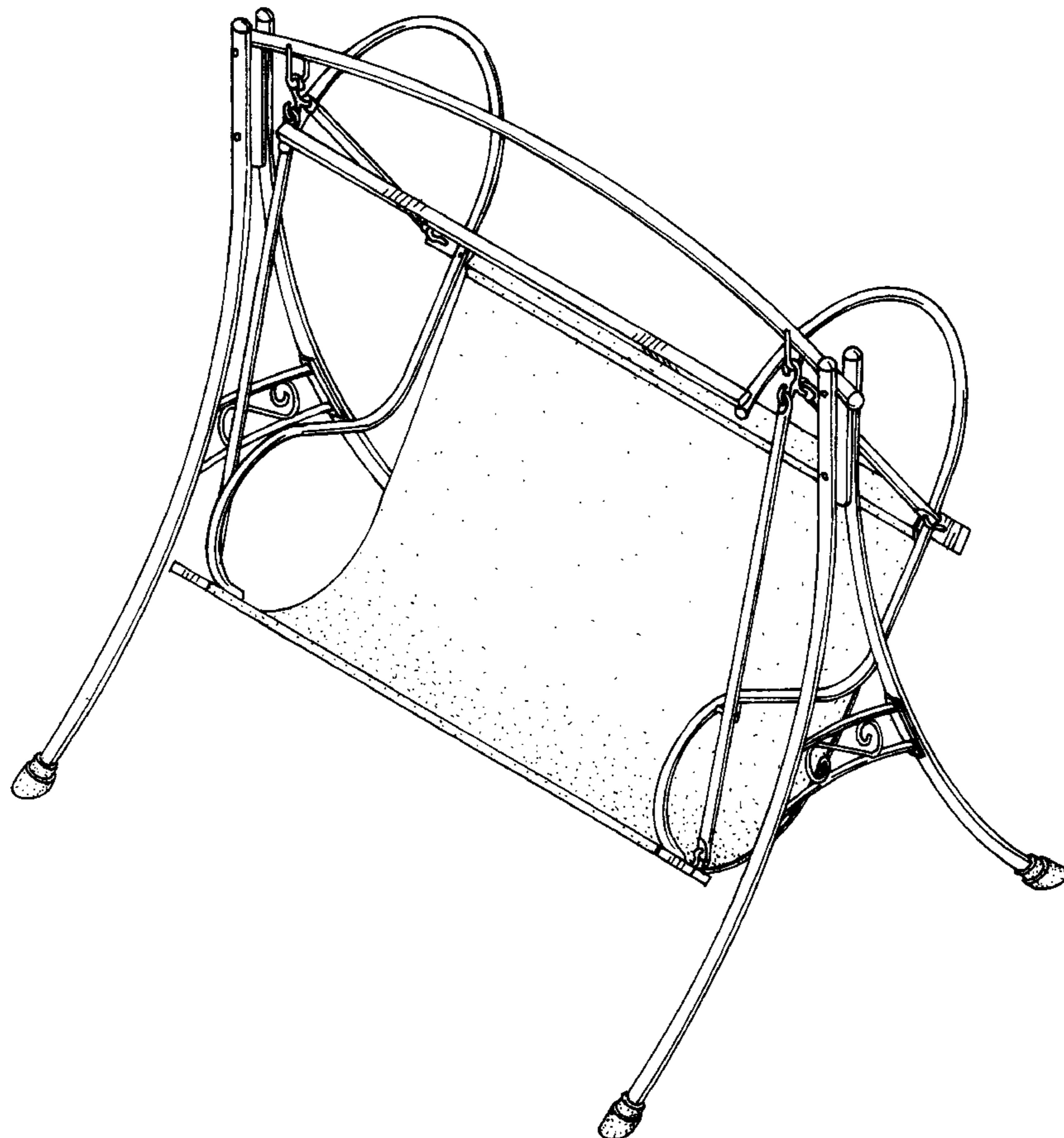
FIG. 4 is a left side elevational view thereof;

FIG. 5 is a right side elevational view thereof;

FIG. 6 is a top plan view thereof; and,

FIG. 7 is a bottom plan view thereof.

1 Claim, 6 Drawing Sheets



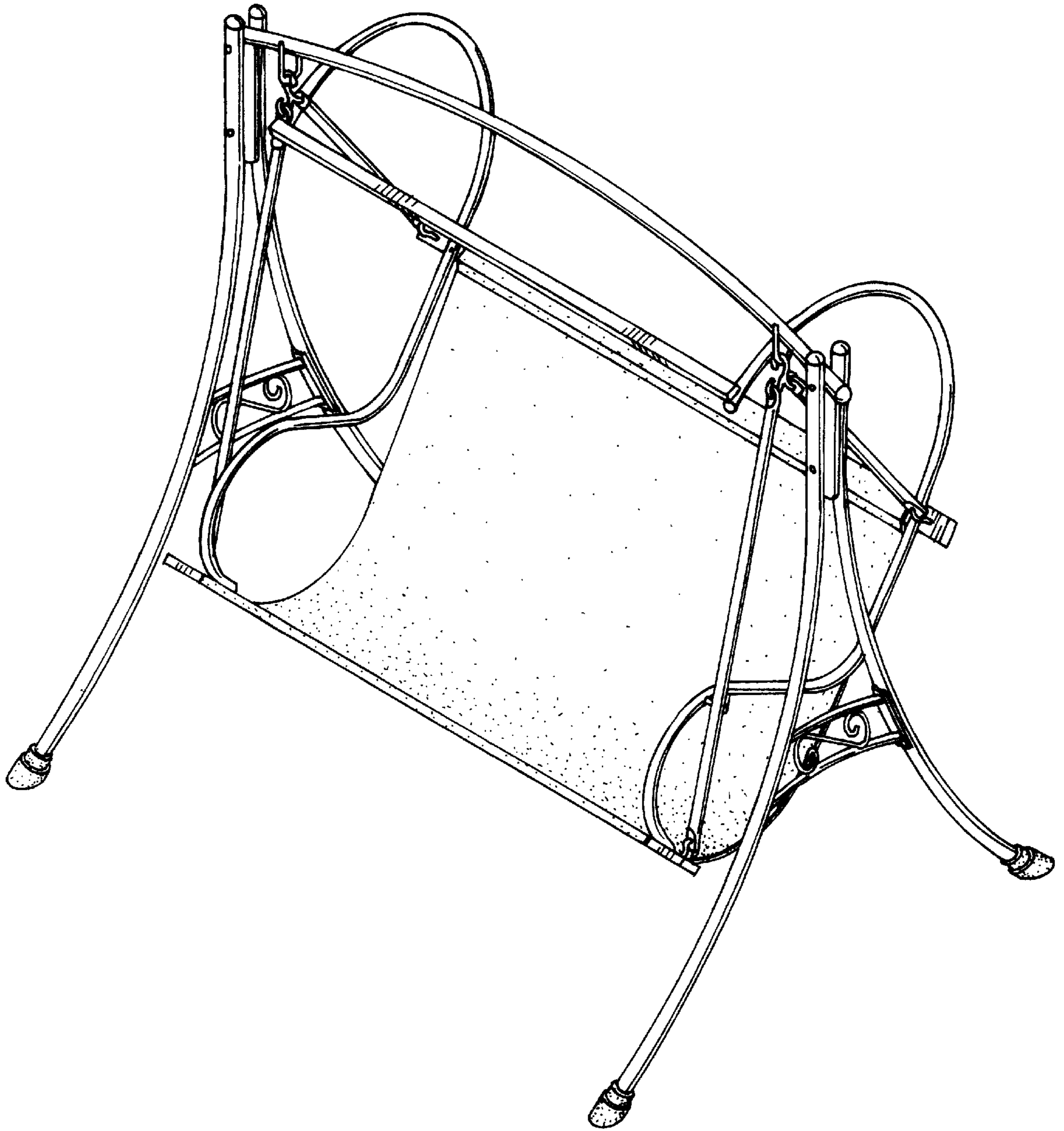


FIG. 1

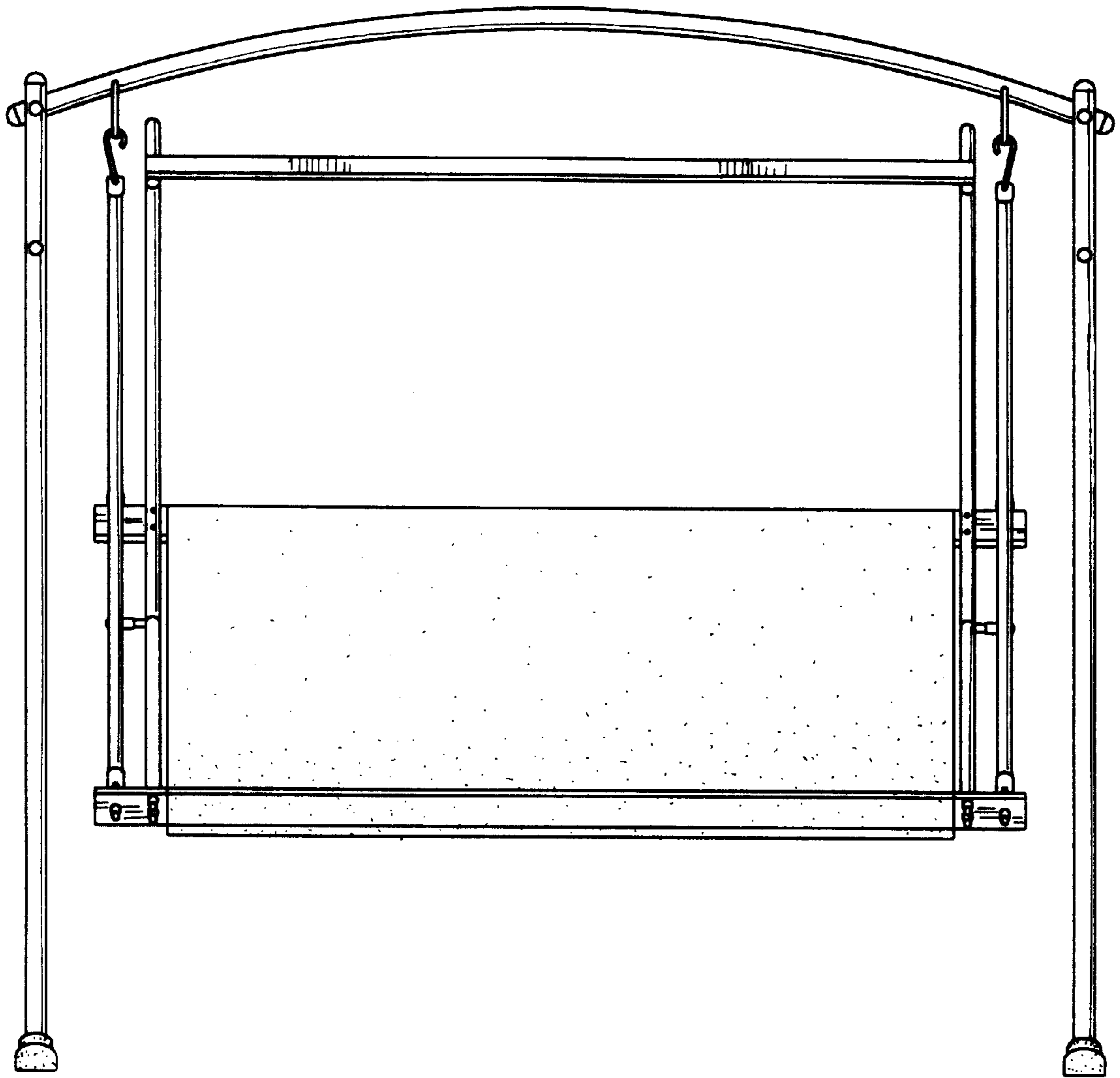


FIG. 2

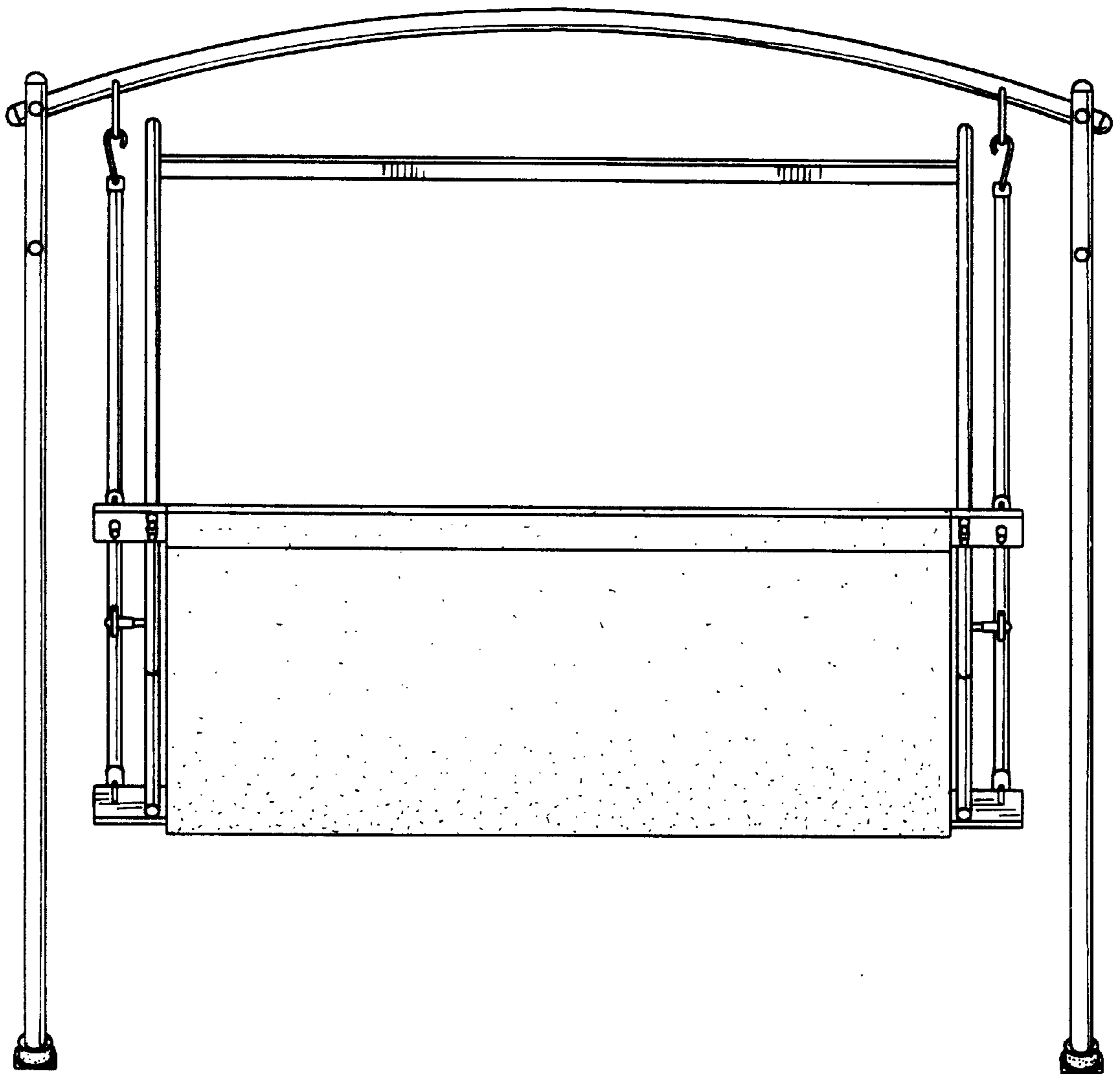


FIG. 3

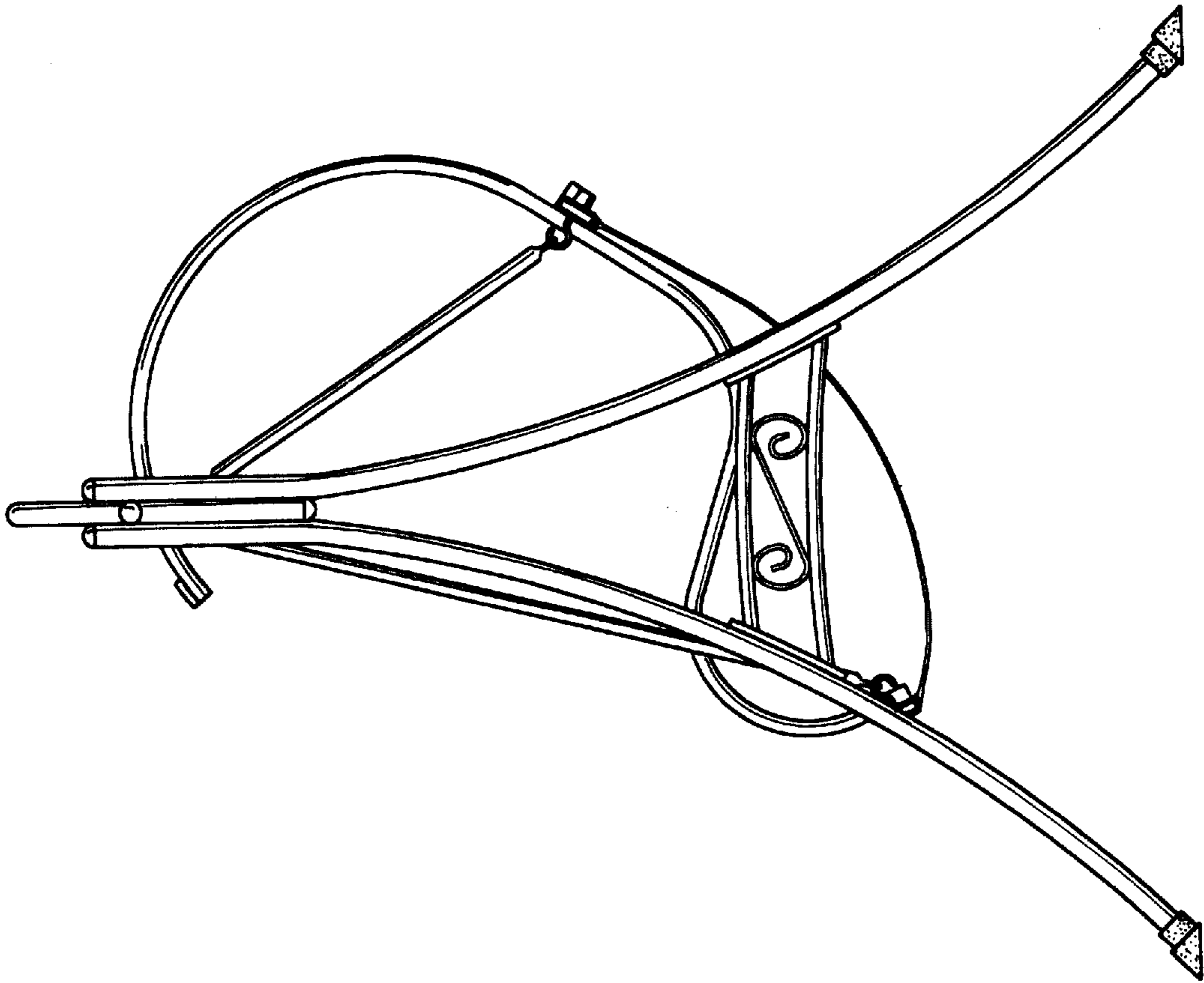


FIG. 4

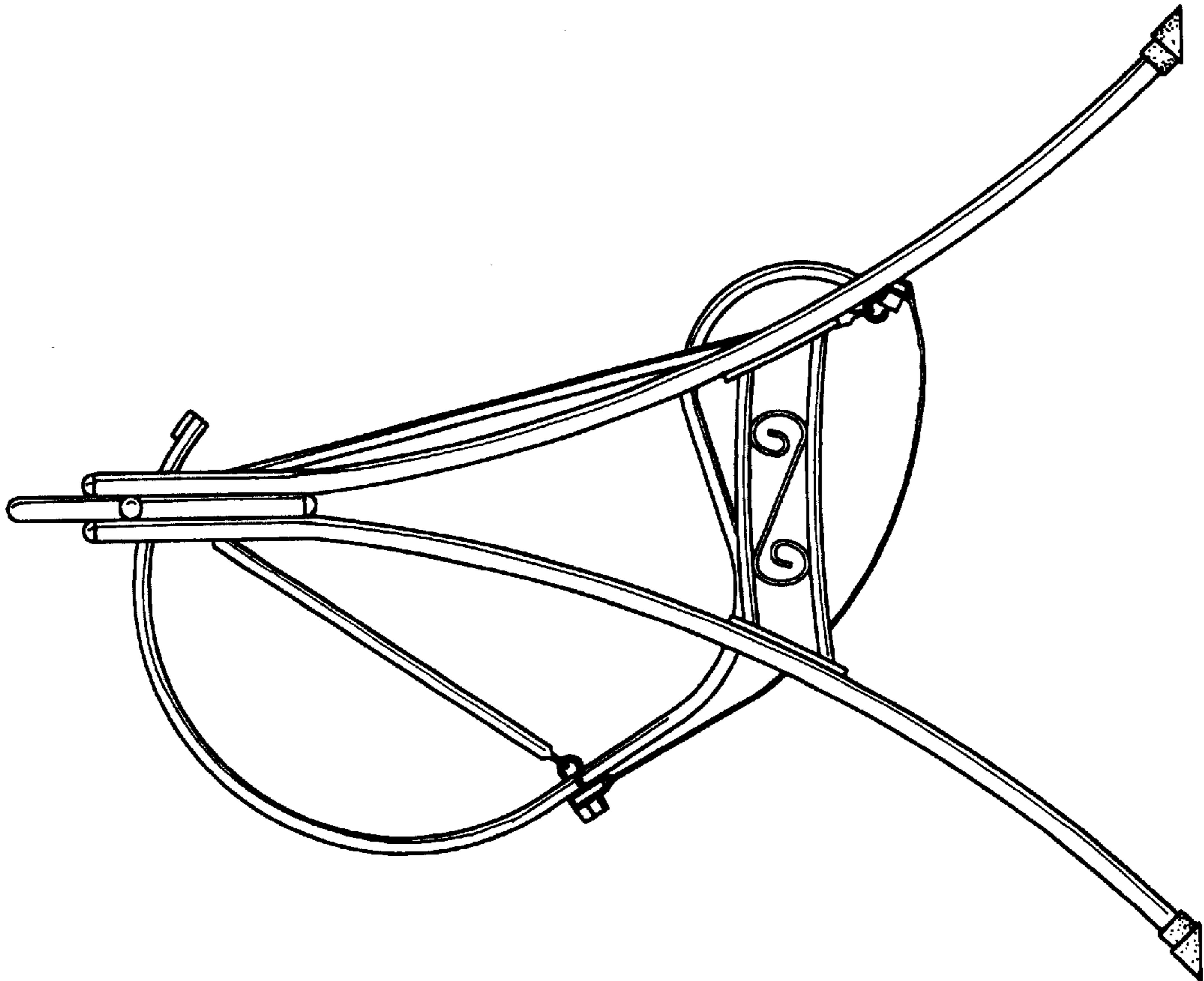


FIG. 5

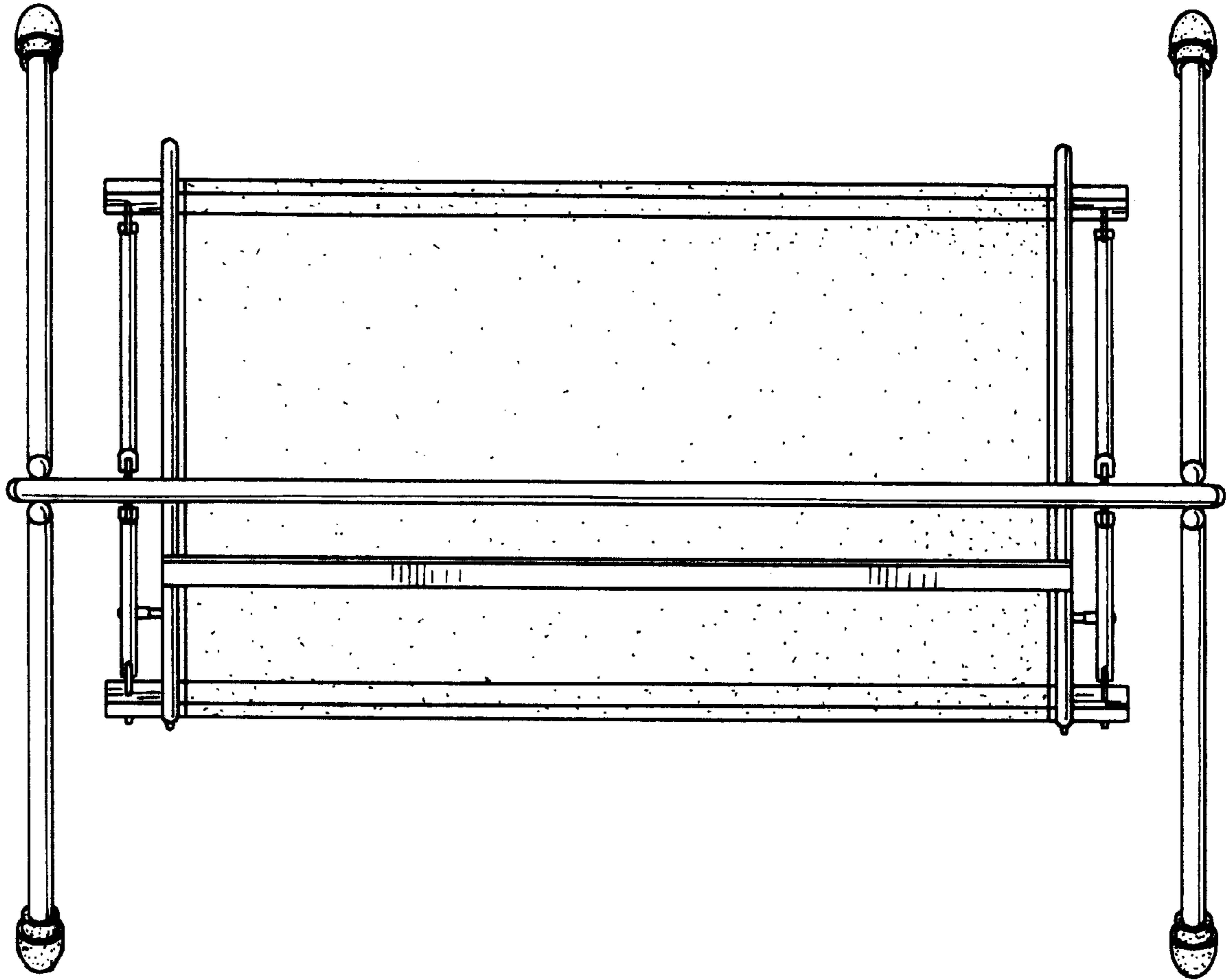


FIG. 6

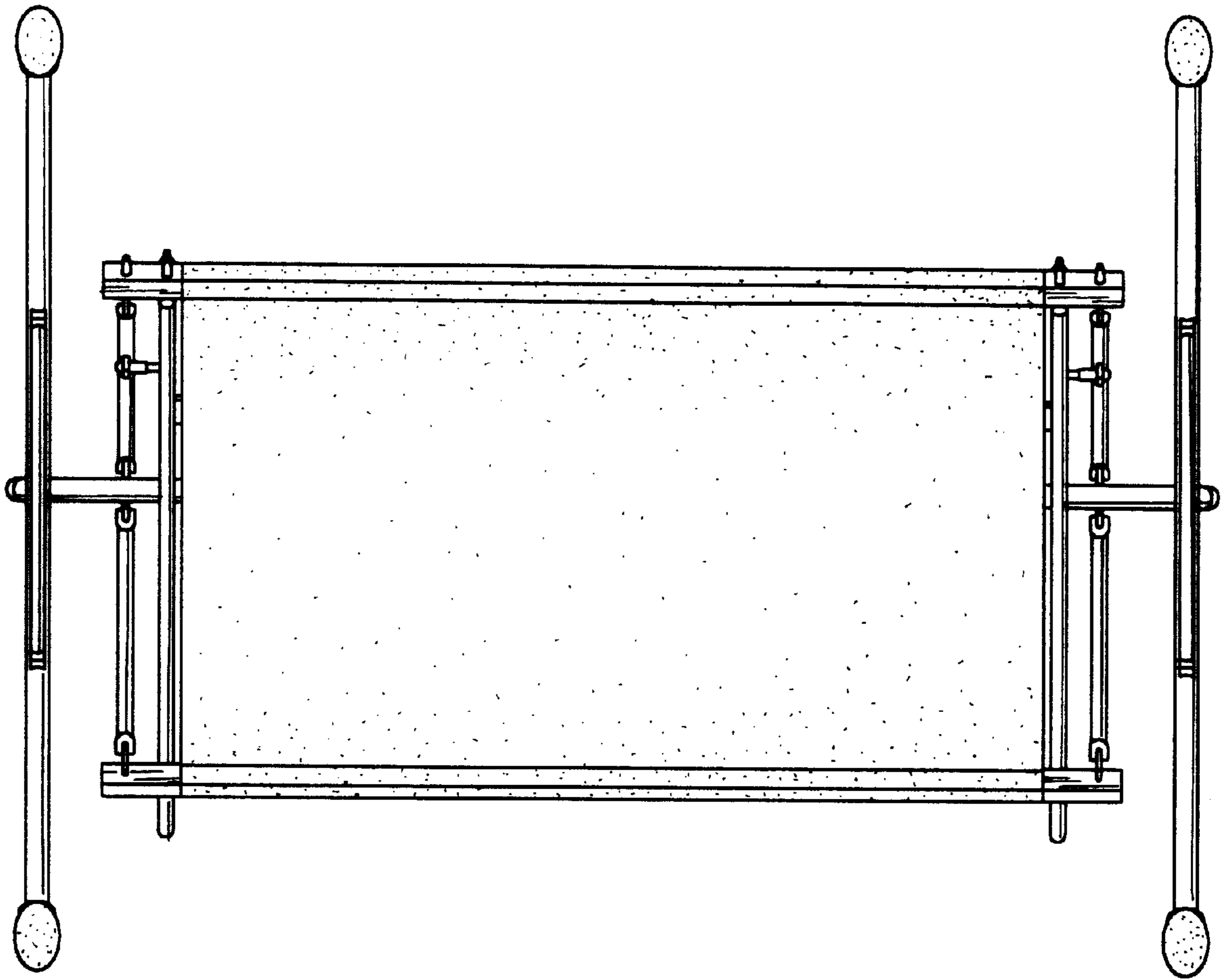


FIG. 7