



US00D440056S

(12) **United States Design Patent**
Natuzzi et al.

(10) **Patent No.:** **US D440,056 S**
(45) **Date of Patent:** **** Apr. 10, 2001**

(54) **CHAIR**

(75) Inventors: **Pasquale Natuzzi; Annamaria Mastrolonardo**, both of Bari (IT)

(73) Assignee: **Industrie Natuzzi SpA**, Bari (IT)

(**) Term: **14 Years**

(21) Appl. No.: **29/120,178**

(22) Filed: **Mar. 15, 2000**

(51) **LOC (7) Cl.** **06-01**

(52) **U.S. Cl.** **D6/334**

(58) **Field of Search** D6/334, 335, 364,
D6/365, 367, 381, 500, 501, 502; 297/445.1

(56) **References Cited**

U.S. PATENT DOCUMENTS

D. 415,622	*	10/1999	Zaidman	D6/334
D. 418,312	*	1/2000	Zaidman	D6/334
D. 418,986	*	1/2000	Natuzzi et al.	D6/334
D. 418,992	*	1/2000	Natuzzi et al.	D6/381
D. 430,411	*	9/2000	Zaidman	D6/334
D. 430,421	*	9/2000	Natuzzi et al.	D6/381
D. 430,741	*	9/2000	Natuzzi et al.	D6/334
D. 431,378	*	10/2000	Natuzzi et al.	D6/334

OTHER PUBLICATIONS

Natuzzi Model 175, at least as early as 1987, at International Home Furnishings Market in High Point, North Carolina.
 Natuzzi Model 499, Apr. 1989, at International Home Furnishings Market in High Point, North Carolina.
 Natuzzi Model 616/617, Oct. 1988, at International Home Furnishings Market in High Point, North Carolina.
 Natuzzi Model 622/623, Oct. 1988, at International Home Furnishings Market in High Point, North Carolina.
 Natuzzi Model 713, Oct. 1989, at International Home Furnishings Market in High Point, North Carolina.
 Natuzzi Model 727, Oct. 1989, at International Home Furnishings Market in High Point, North Carolina.
 Natuzzi Model 754, Apr. 1990, at International Home Furnishings Market in High Point, North Carolina.

Natuzzi Model 782, Oct. 1990, at International Home Furnishing Market in High Point, North Carolina.
 Natuzzi Model 823, at least as early as 1992, at International Home Furnishings Market in High Point, North Carolina.
 Natuzzi Model 894, Apr. 1992, at International Home Furnishings Market in High Point, North Carolina.
 Natuzzi Model 936, Oct. 1992, at International Home Furnishings Market in High Point, North Carolina.
 Natuzzi Model 948, Oct. 1992, at International Home Furnishings Market in High Point, North Carolina.
 Natuzzi Model 950, Oct. 1992, at International Home Furnishings Market in High Point, North Carolina.
 Natuzzi Model 957, Oct. 1992, at International Home Furnishings Market in High Point, North Carolina.
 Natuzzi Model 986, Oct. 1992, at International Home Furnishings Market in High Point, North Carolina.
 Natuzzi Model 992, Oct. 1992, at International Home Furnishings Market in High Point, North Carolina.
 Natuzzi Model 993, Oct. 1992, at International Home Furnishings Market in High Point, North Carolina.
 Natuzzi Model 1004, Apr. 1993, at International Home Furnishings Market in High Point, North Carolina.

(List continued on next page.)

Primary Examiner—Gary D. Watson

(74) *Attorney, Agent, or Firm*—Alston & Bird LLP

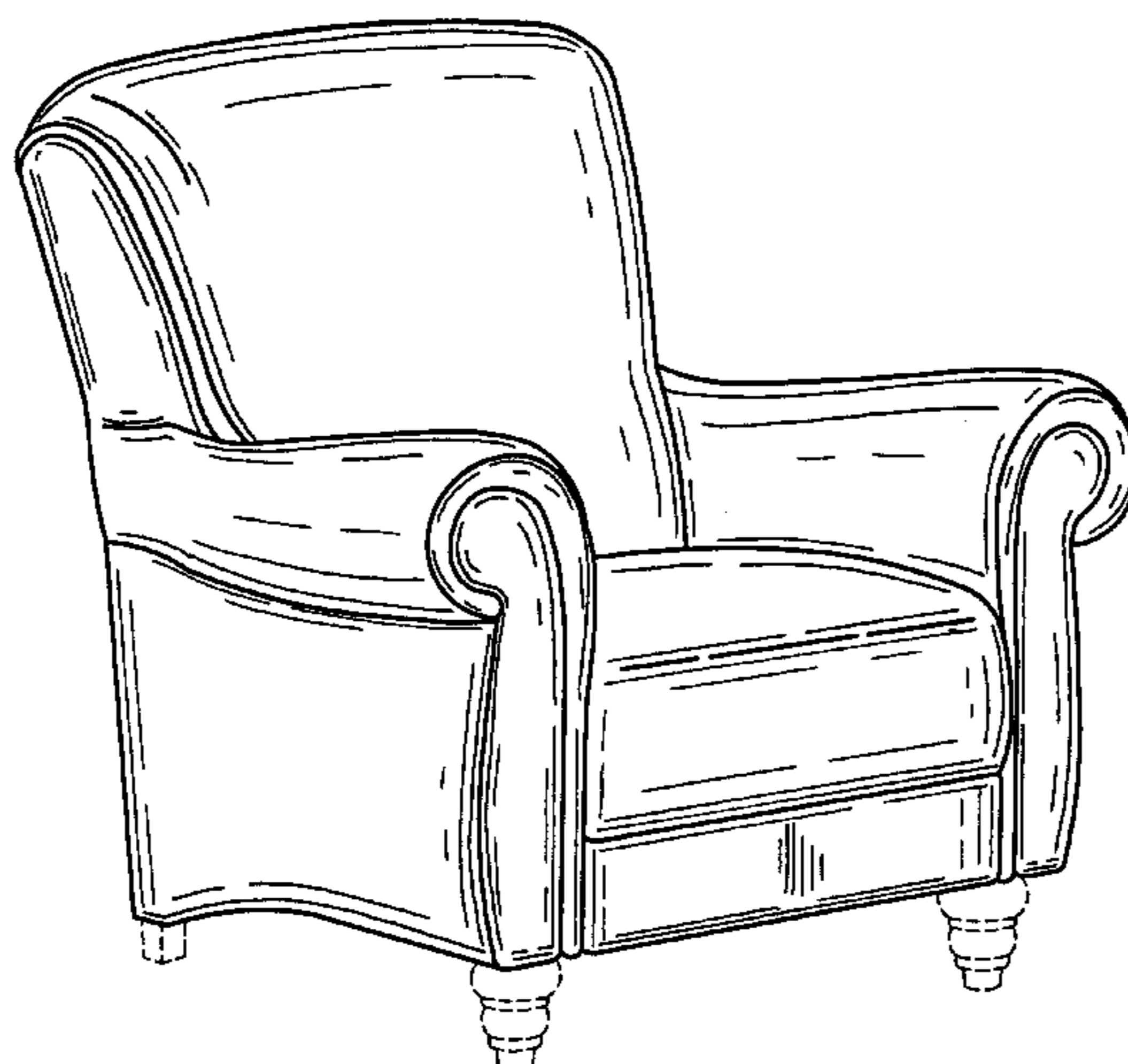
(57) **CLAIM**

The ornamental design for a chair, as shown and described.

DESCRIPTION

FIG. 1 is a perspective view of our new design;
 FIG. 2 is a front elevational view thereof;
 FIG. 3 is a top plan view thereof;
 FIG. 4 is a right side elevational view, the left side being a mirror image thereof; and,
 FIG. 5 is a rear elevational view thereof.
 The broken lines shown herein are for illustrative purposes only and form no part of the claimed design.

1 Claim, 3 Drawing Sheets



OTHER PUBLICATIONS

Natuzzi Model 1008, Apr. 1993, at International Home Furnishings Market in High Point, North Carolina.
Natuzzi Model 1067, Oct. 1993, at International Home Furnishings Market in High Point, North Carolina.
Natuzzi Model 1116, Jan. 1994, at International Home Furnishings Market in High Point, North Carolina.
Natuzzi Model 1204, Oct. 1994, at International Home Furnishings Market in High Point, North Carolina.
Natuzzi Model 1205, Oct. 1994, at International Home Furnishings Market in High Point, North Carolina.
Natuzzi Model 1206, Oct. 1994, at International Home Furnishings Market in High Point, North Carolina.
Natuzzi Model 1219, Oct. 1994, at International Home Furnishings Market in High Point, North Carolina.

Natuzzi Model 1263, Mar. 1995, at International Home Furnishings Market in High Point, North Carolina.

Natuzzi Model 1412, Apr. 1996, at International Home Furnishings Market in High Point, North Carolina.

Natuzzi Model 1507, Oct. 1996, at International Home Furnishings Market in High Point, North Carolina.

Natuzzi Model 1541, Oct. 1996, at International Home Furnishings Market in High Point, North Carolina.

Natuzzi Model 1607, Mar. 1998, at International Home Furnishings Market in High Point, North Carolina.

Natuzzi Model 1743, Oct. 1998, at International Home Furnishings Market in High Point, North Carolina.

* cited by examiner

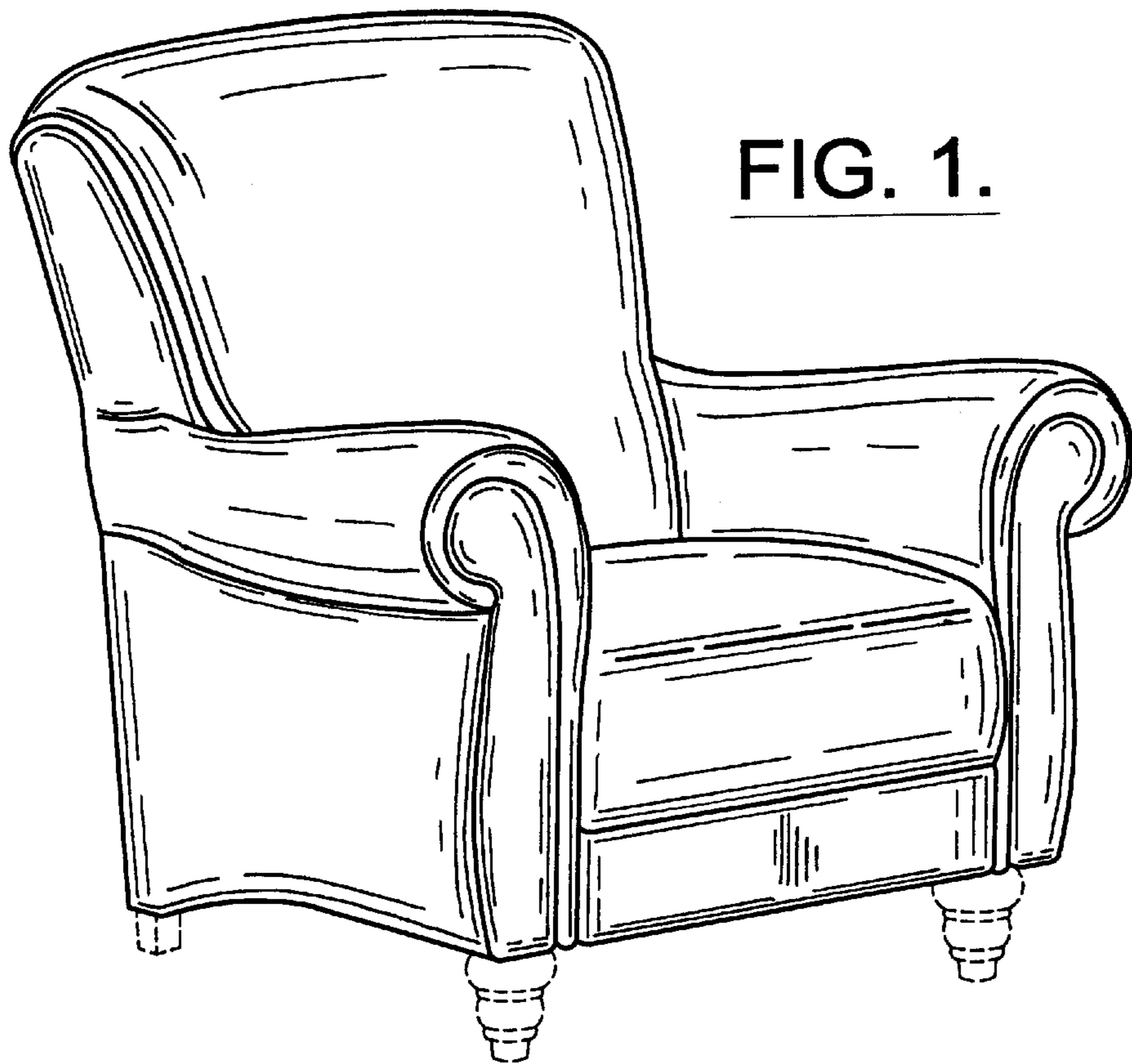


FIG. 1.

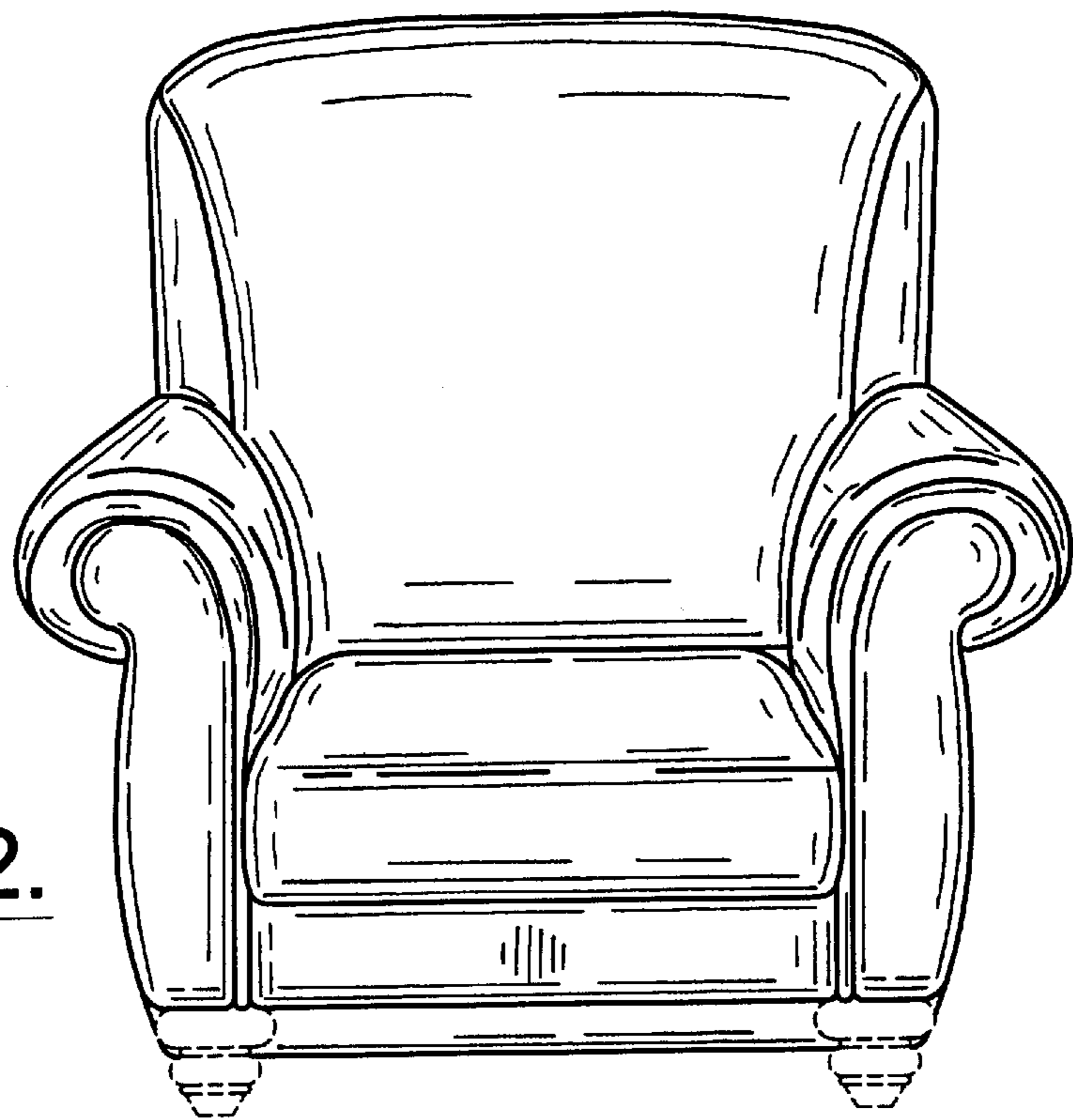


FIG. 2.

FIG. 3.

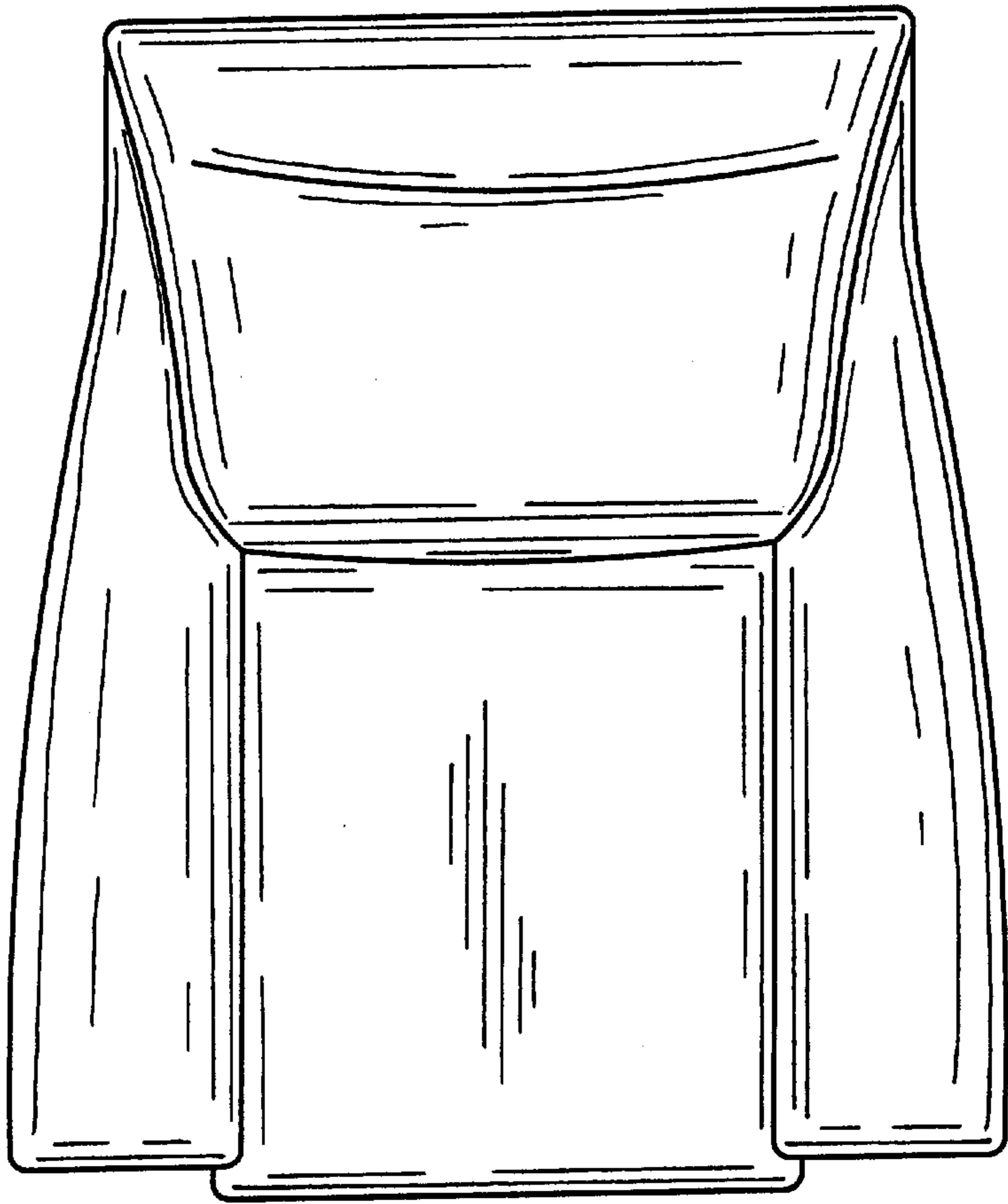
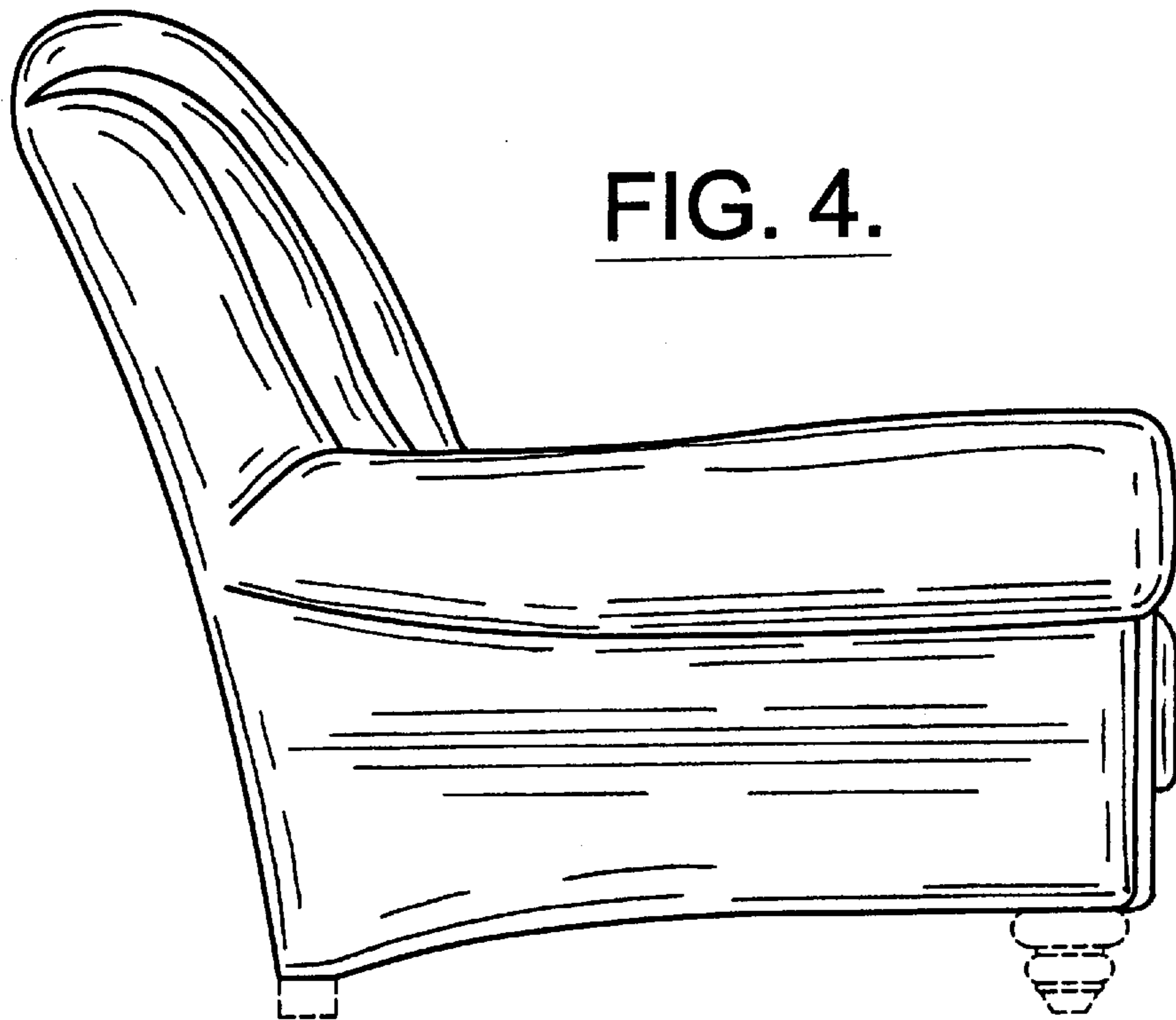


FIG. 4.



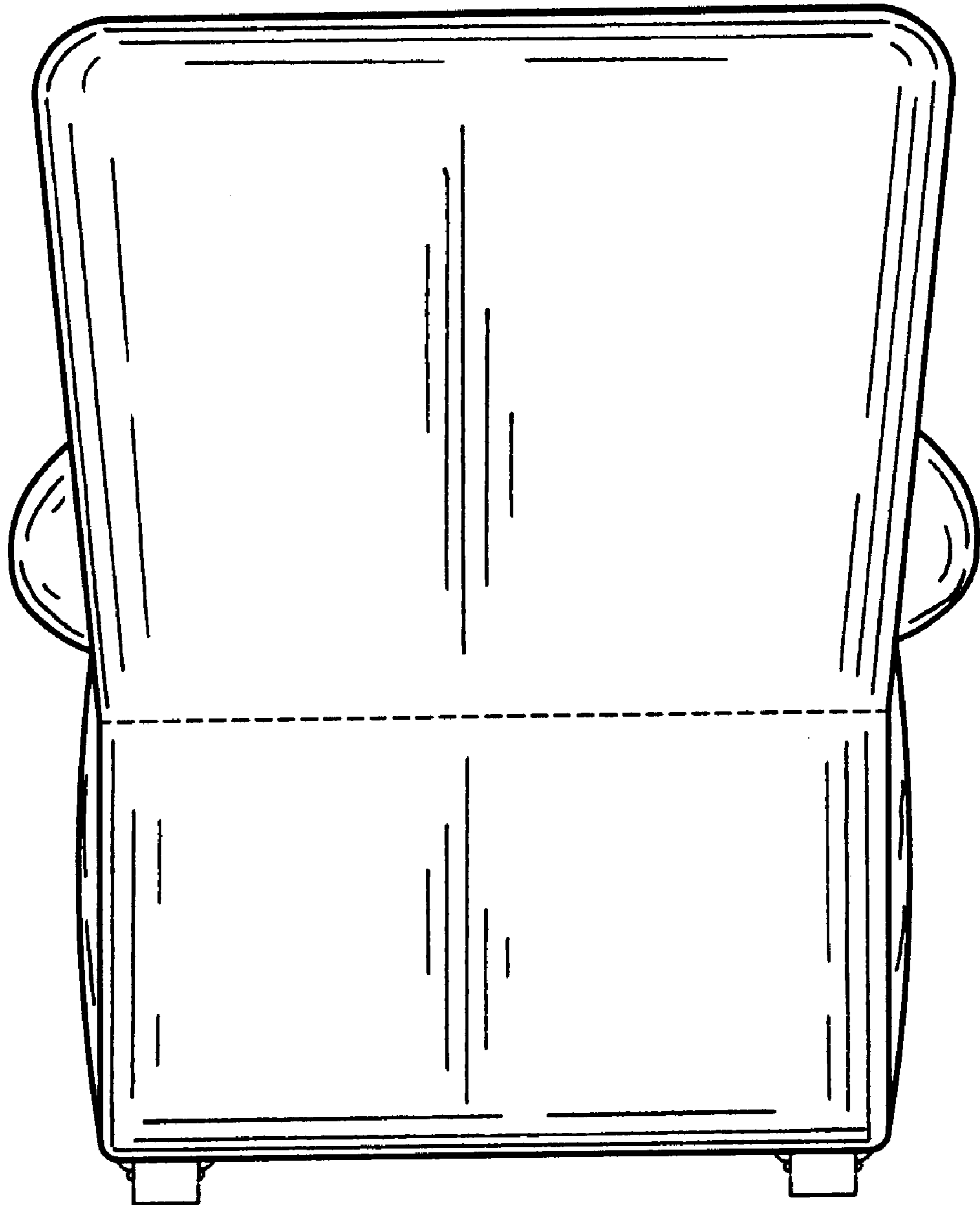


FIG. 5.