



US00D440055S

(12) **United States Design Patent**
Richter

(10) **Patent No.:** **US D440,055 S**

(45) **Date of Patent:** **** Apr. 10, 2001**

(54) **CLOTHES HANGER**

5,058,790 * 10/1991 LaVelle 224/313
5,383,588 * 1/1995 Kazel 224/275

(76) Inventor: **Herbert Richter**, Drosselweg 8, 75331
Engelbrand (DE)

* cited by examiner

(**) Term: **14 Years**

Primary Examiner—B. J. Bullock
(74) *Attorney, Agent, or Firm*—Klaus J. Bach

(21) Appl. No.: **29/129,418**

(57) **CLAIM**

(22) Filed: **Sep. 15, 2000**

The ornamental design for a clothes hanger, as shown and described.

(51) **LOC (7) Cl.** **06-08**

(52) **U.S. Cl.** **D6/318; D6/325**

(58) **Field of Search** D6/317–320, 325;
211/113, 119; 223/85, 88, 91, 92, 94; 224/275,
313, 555, 558, 572, DIG. 927; D8/394

DESCRIPTION

FIG. 1 is a perspective view of a clothes hanger consisting of a wire structure and mounting devices for supporting the hanger,

FIG. 2 is a perspective view of the clothes hanger showing the opposite side of the hanger; and,

FIG. 3 is a perspective view of the clothes hanger showing the hanger from the bottom rear of FIG. 1.

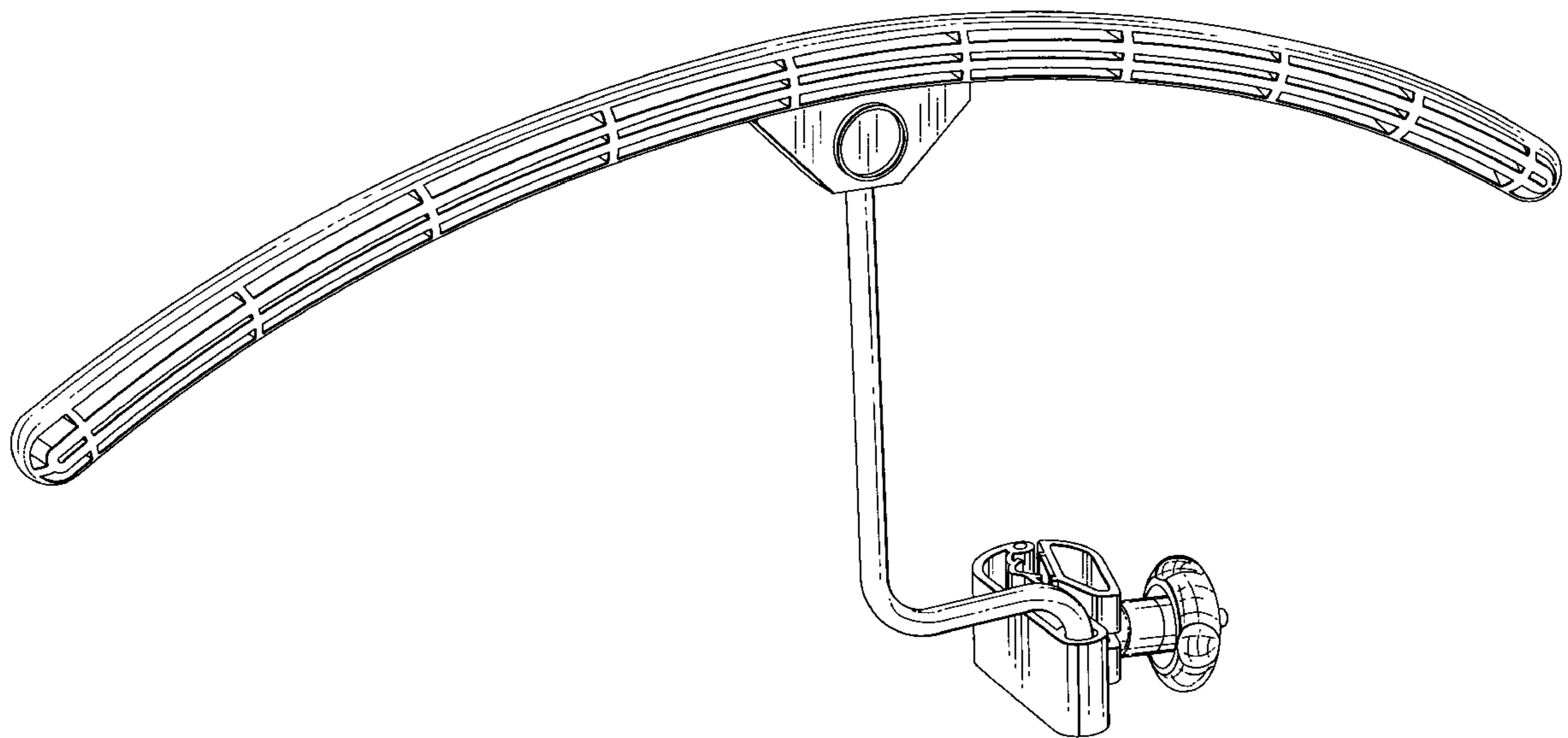
The hanger is intended to be supported on the headrest support columns of a car seat.

(56) **References Cited**

U.S. PATENT DOCUMENTS

- D. 191,944 * 12/1961 Reynolds .
- D. 218,494 * 8/1970 Leichter .
- D. 422,152 * 4/2000 Yeh .
- D. 423,233 * 4/2000 Hofstee D6/318
- 4,957,230 * 9/1990 Gonzales 224/275

1 Claim, 3 Drawing Sheets



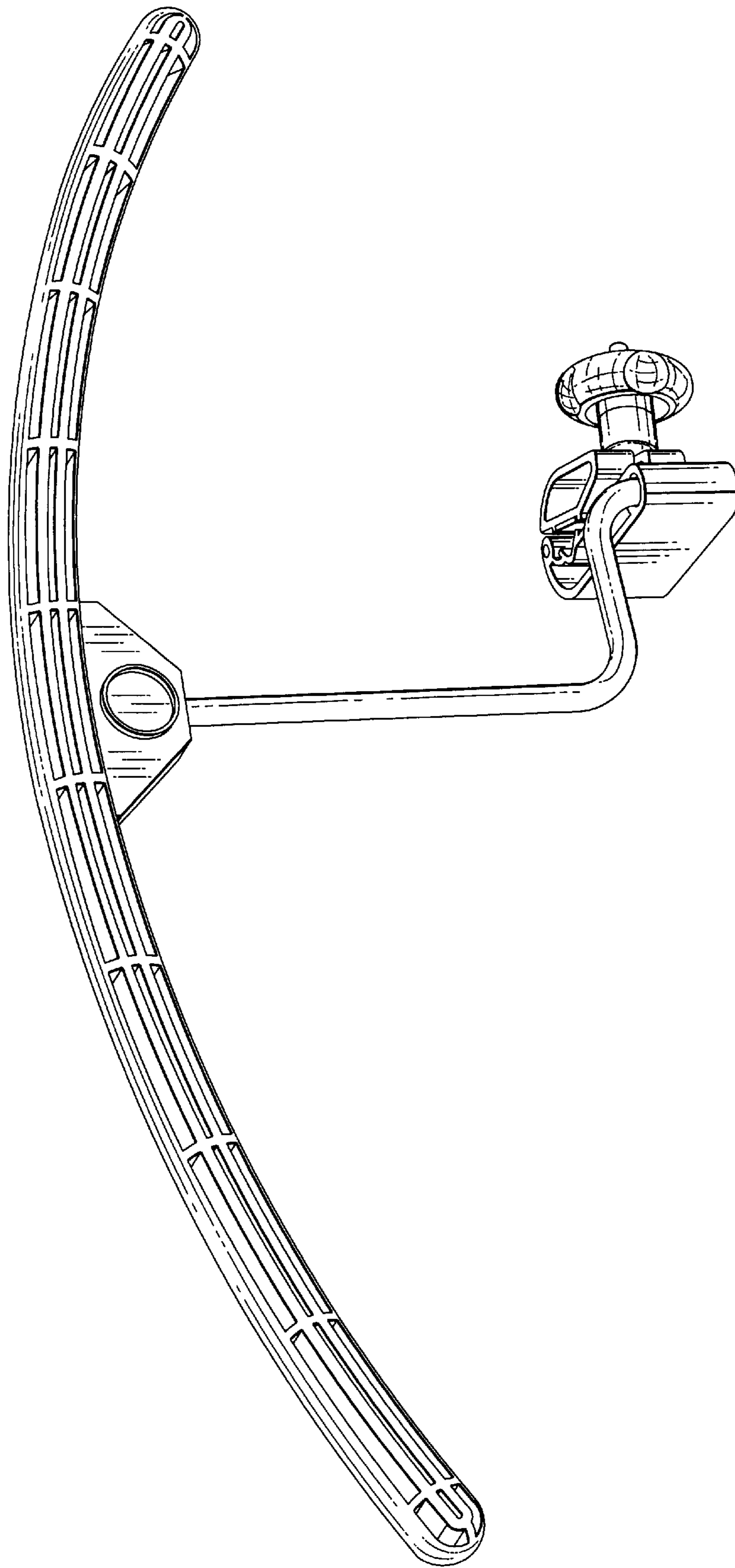
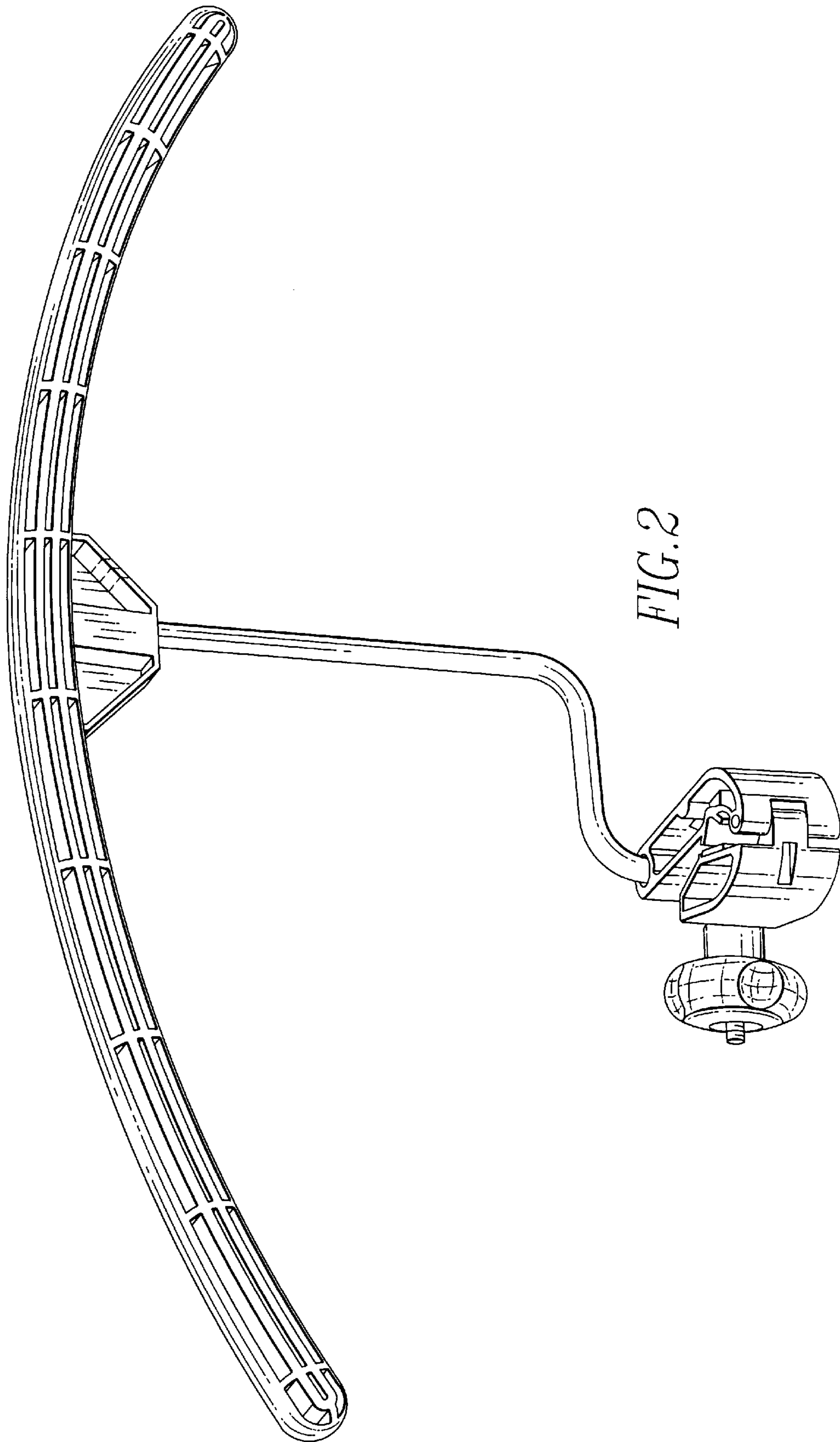


FIG. 1



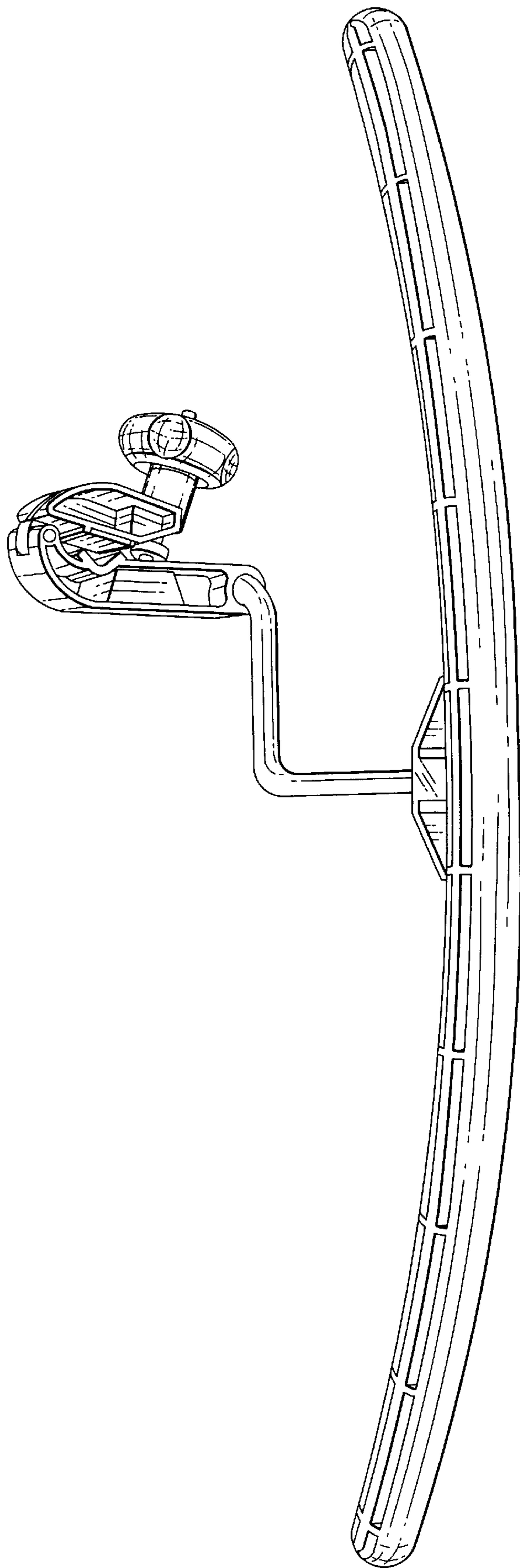


FIG. 3