



US00D440054S

(12) **United States Design Patent**
Richter

(10) **Patent No.:** **US D440,054 S**

(45) **Date of Patent:** **** Apr. 10, 2001**

(54) **CLOTHES HANGER**

(76) Inventor: **Herbert Richter**, Drosselweg 8, 75331
Engelbrand (DE)

(**) Term: **14 Years**

(21) Appl. No.: **29/129,060**

(22) Filed: **Sep. 2, 2000**

(51) **LOC (7) Cl.** **06-08**

(52) **U.S. Cl.** **D6/318**

(58) **Field of Search** D6/317-320; 211/113,
211/119; 223/85, 88, 91, 92, 94; 224/275,
313, 555, 558, 572, DIG. 927

(56) **References Cited**

U.S. PATENT DOCUMENTS

- D. 218,494 * 8/1970 Leichter D6/318
- D. 270,884 * 10/1983 Tavela D6/318
- D. 293,514 * 1/1988 Hurrelbrink D6/318

- D. 423,233 * 4/2000 Hofstee D6/318
- 5,820,205 * 10/1998 Ammons 224/313

* cited by examiner

Primary Examiner—B. J. Bullock
(74) *Attorney, Agent, or Firm*—Klaus J. Bach

(57) **CLAIM**

The ornamental design for a clothes hanger, as shown and described.

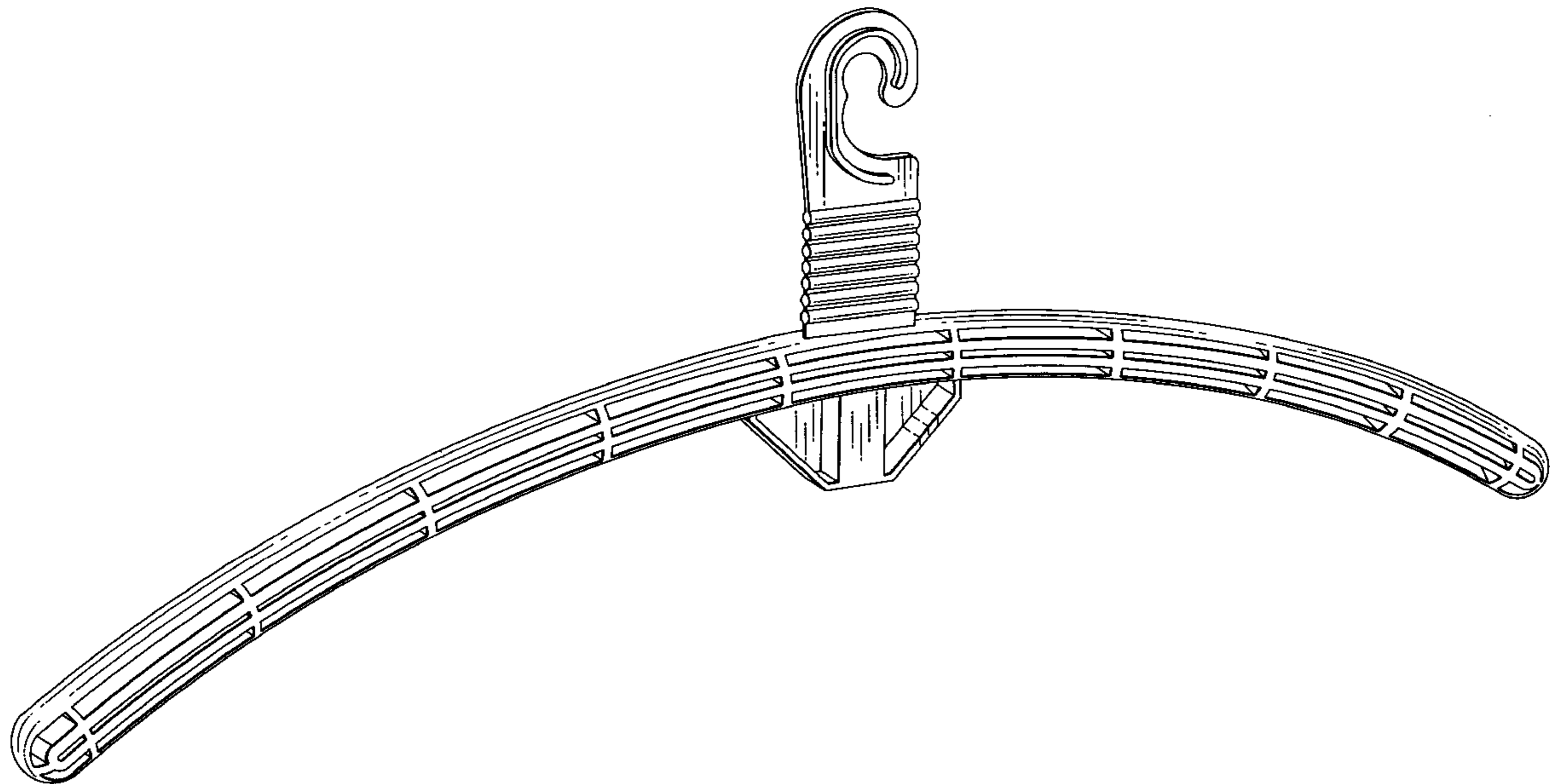
DESCRIPTION

FIG. 1 is a perspective view of a clothes hanger with an integral hook having a flexible stem. FIG. 1 shows one side of the hanger; and,

FIG. 2 is a perspective view of the clothes hanger showing the opposite side of the hanger.

The hanger is intended to be supported from a head rest mounting stem of a car.

1 Claim, 2 Drawing Sheets



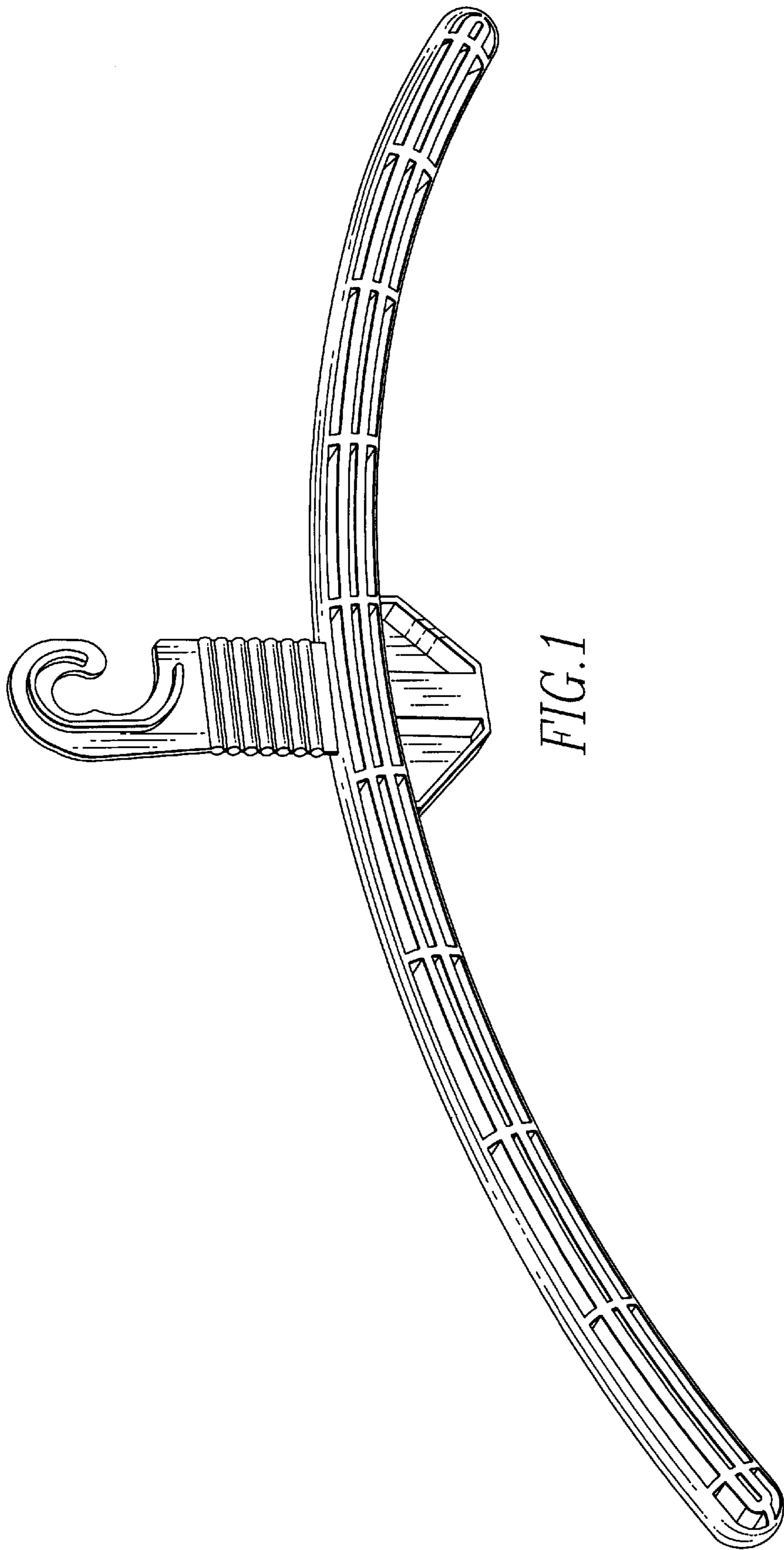


FIG. 1

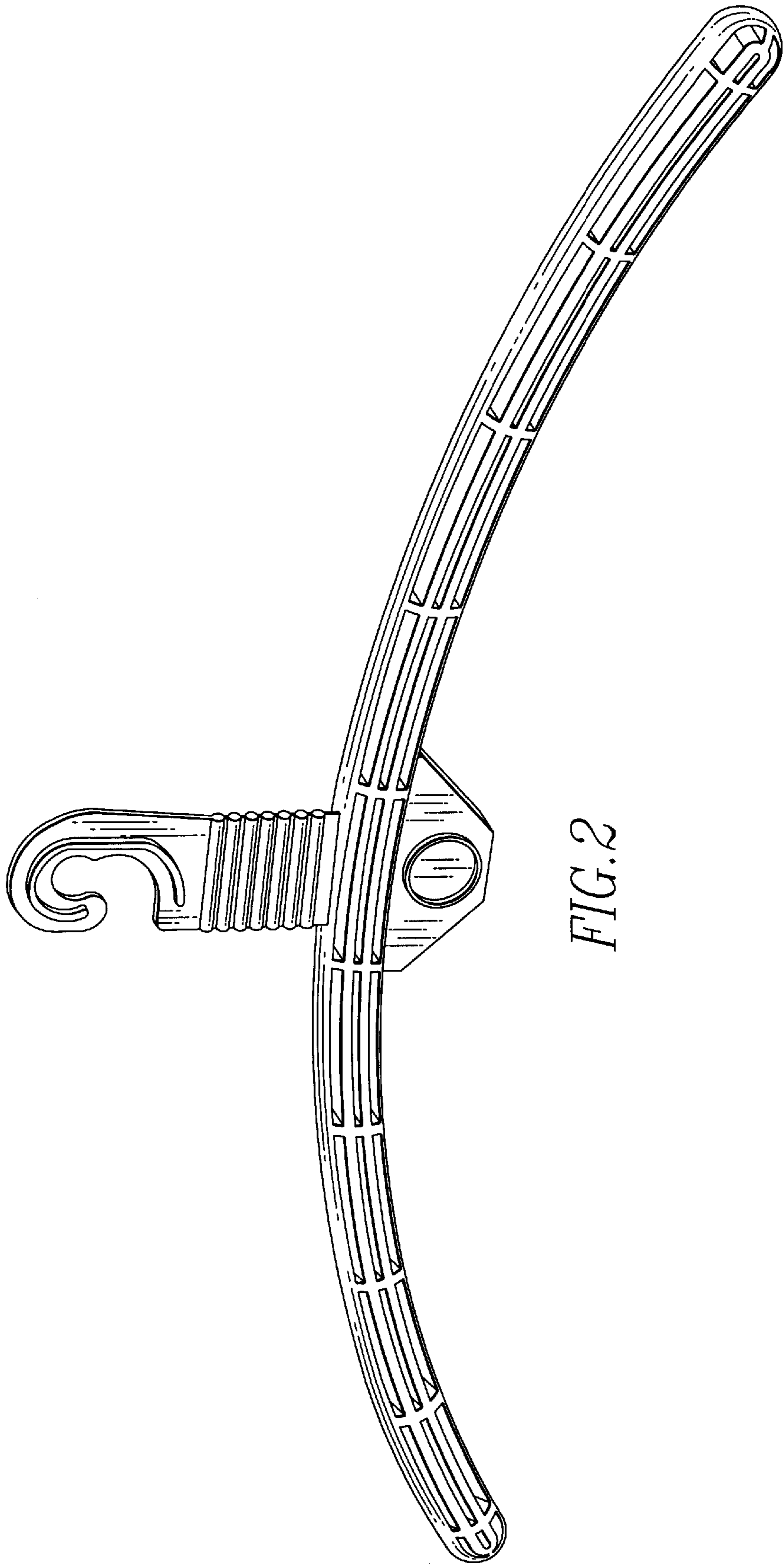


FIG. 2