



US00D440047S

(12) **United States Design Patent**  
**Crump**

(10) **Patent No.:** **US D440,047 S**

(45) **Date of Patent:** **\*\* Apr. 10, 2001**

(54) **DIAPER BAG ORGANIZER**

1,268,124 \* 6/1918 Jennings ..... 190/110  
2,988,125 \* 6/1961 Reynolds ..... 150/119

(76) Inventor: **Sharlyn M. Crump**, 3750 Fountain St.,  
#205, Long Beach, CA (US) 90806

\* cited by examiner

(\*\*) Term: **14 Years**

*Primary Examiner*—Louis S. Zarfes

*Assistant Examiner*—Robert A. Delehanty

(21) Appl. No.: **29/119,168**

(74) *Attorney, Agent, or Firm*—Fulwider Patton Lee &  
Utecht, LLP

(22) Filed: **Feb. 23, 2000**

(57) **CLAIM**

(51) **LOC (7) Cl.** ..... **03-99**

The ornamental design for a diaper bag organizer, as shown  
and described.

(52) **U.S. Cl.** ..... **D3/319**

(58) **Field of Search** ..... D3/318, 319, 274,  
D3/283–285, 295, 303, 310–311, 313, 315;  
190/12 R, 16, 11, 17, 109, 110; 150/112,  
113; D12/424, 425, 438; 206/581

**DESCRIPTION**

(56) **References Cited**

**U.S. PATENT DOCUMENTS**

- D. 234,546 \* 3/1975 Freeman et al. .... D3/284
- D. 266,034 \* 9/1982 Zoland ..... D3/274
- D. 290,785 \* 7/1987 Kelly ..... D3/284
- D. 330,178 \* 10/1992 Trigger ..... D3/303 X
- D. 341,027 \* 11/1993 Godden et al. .... D3/274
- 348,188 \* 8/1886 Cole ..... 190/11
- D. 383,605 \* 9/1997 Usuriello ..... D3/284
- D. 395,755 \* 7/1998 Hulin ..... D3/295

FIG. 1 is a perspective view of said diaper bag organizer of the present invention;  
 FIG. 2 is a top plan view of said diaper bag organizer;  
 FIG. 3 is a front elevation view of said diaper bag organizer;  
 FIG. 4 is a back elevation view of said diaper bag organizer;  
 FIG. 5 is a side elevation view of said diaper bag organizer;  
 and,  
 FIG. 6 is a bottom plan view of said diaper bag organizer.  
 The surface(s) or portion(s) of the article not shown in the drawings or described in the specification form(s) no part of the claimed design.

**1 Claim, 3 Drawing Sheets**

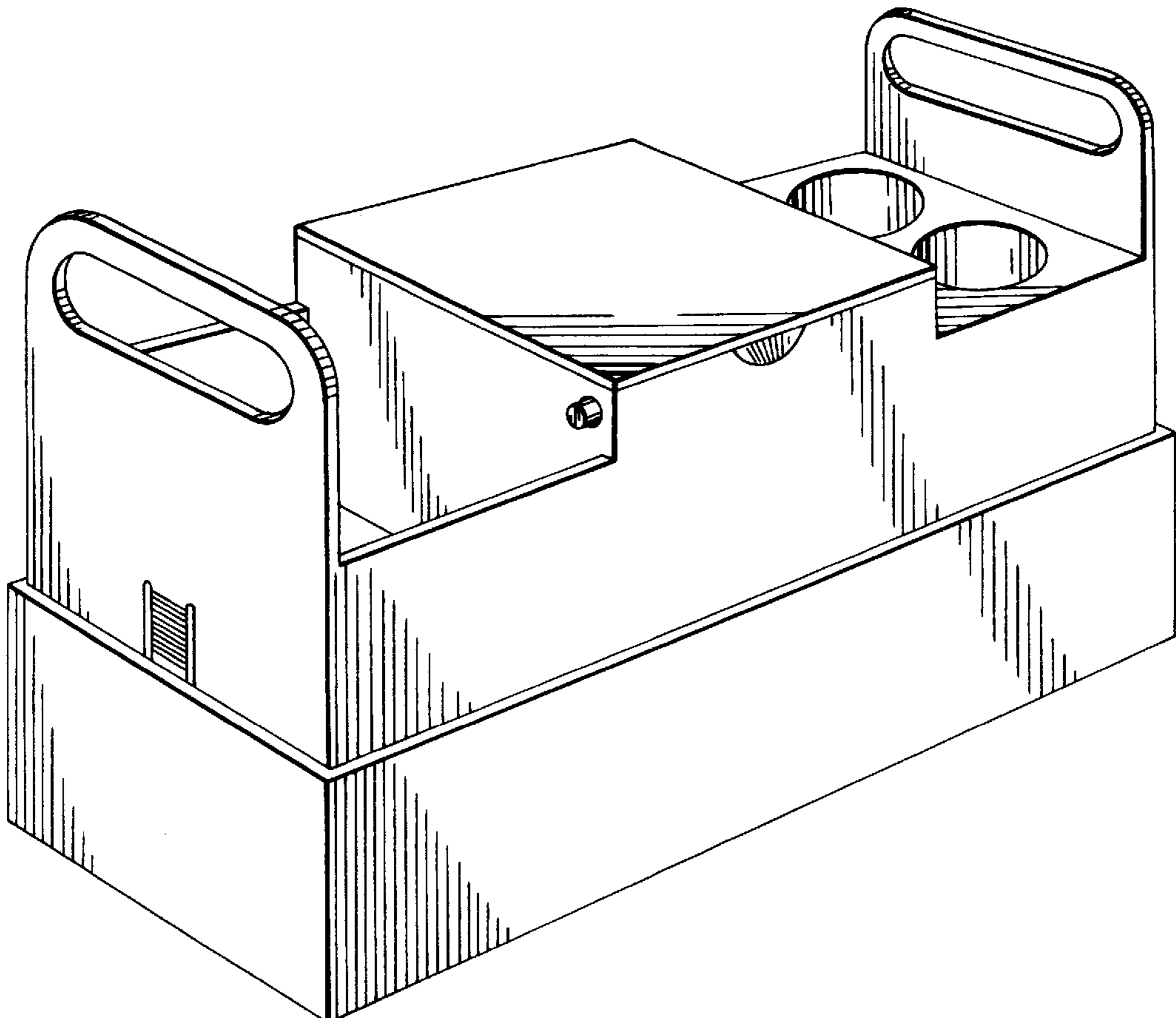


FIG. 1

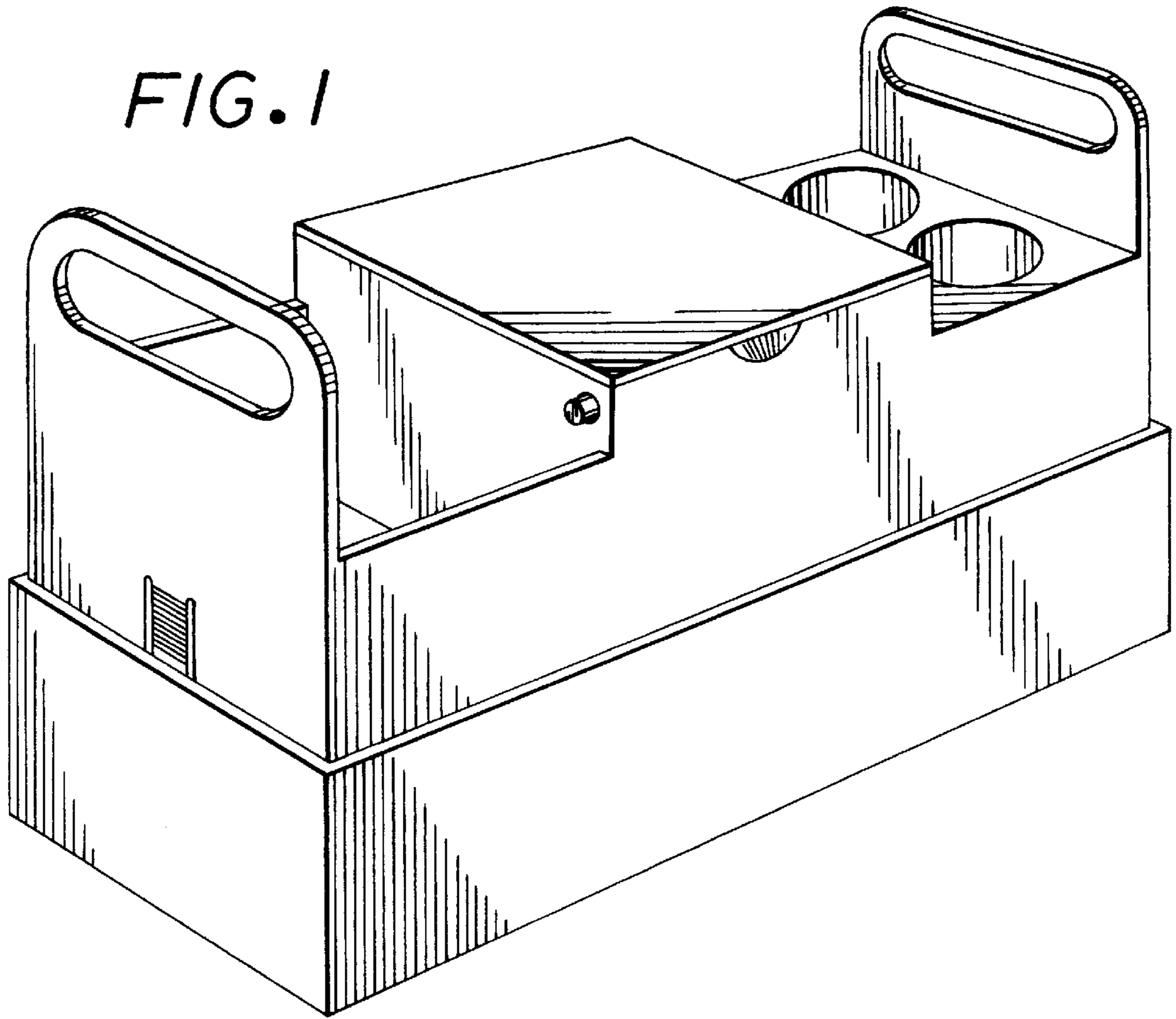
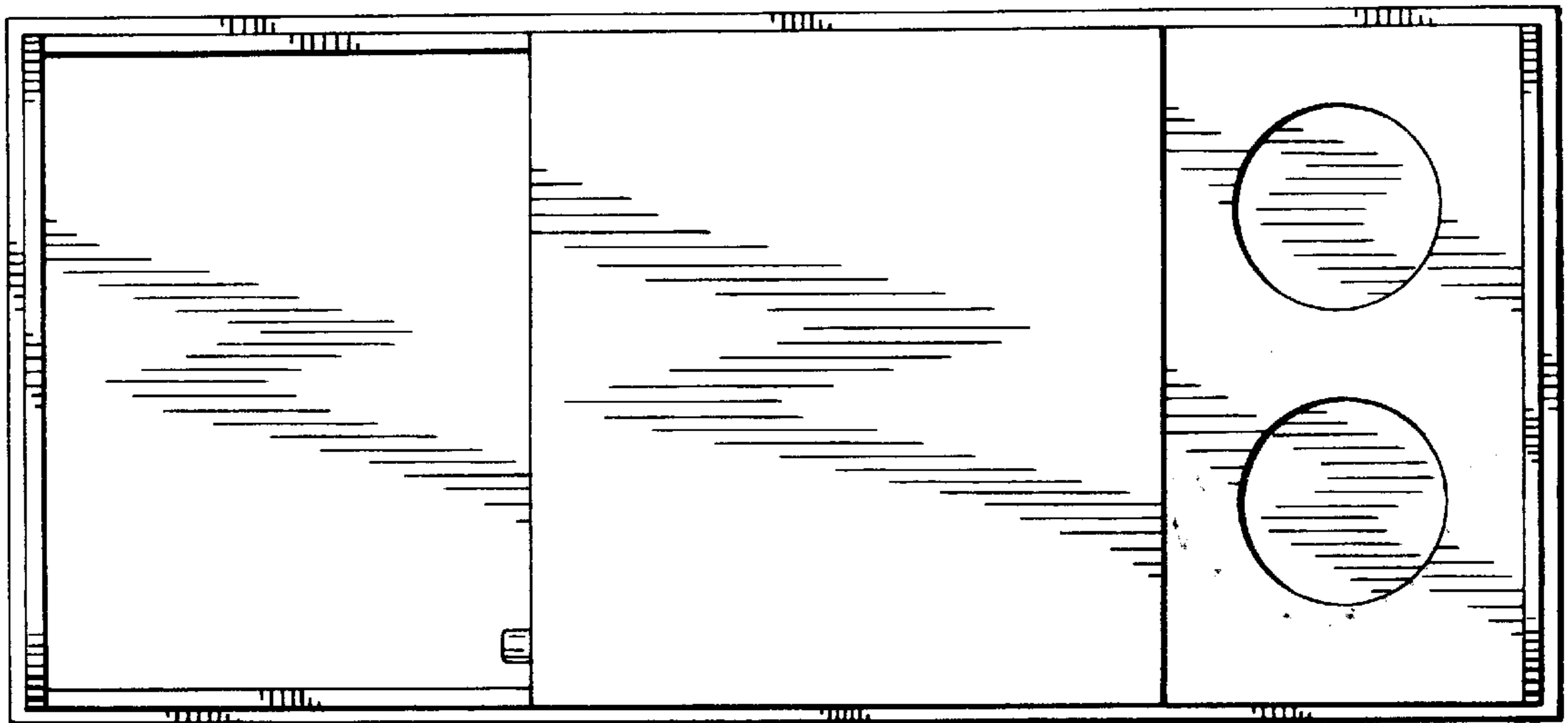
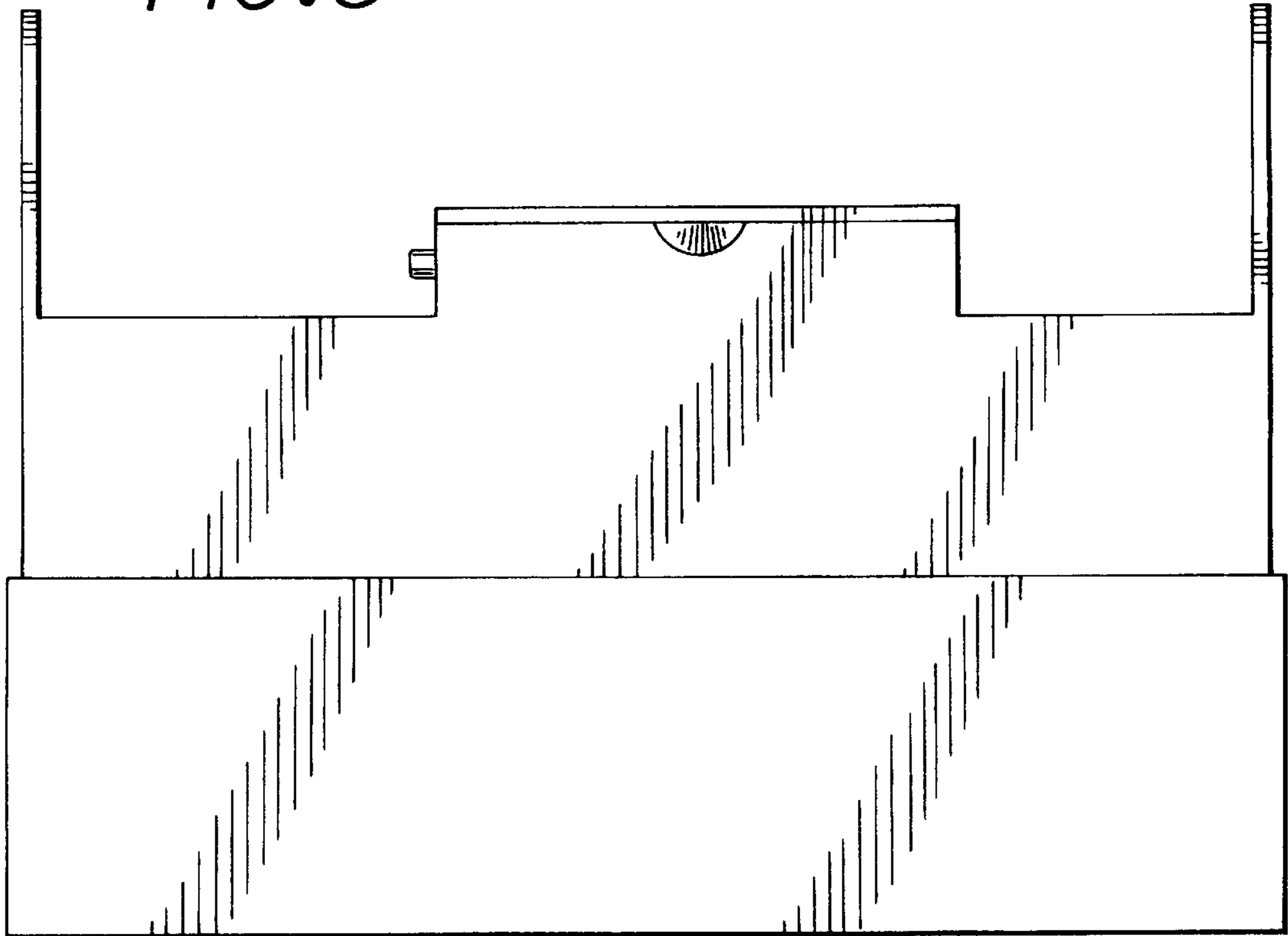


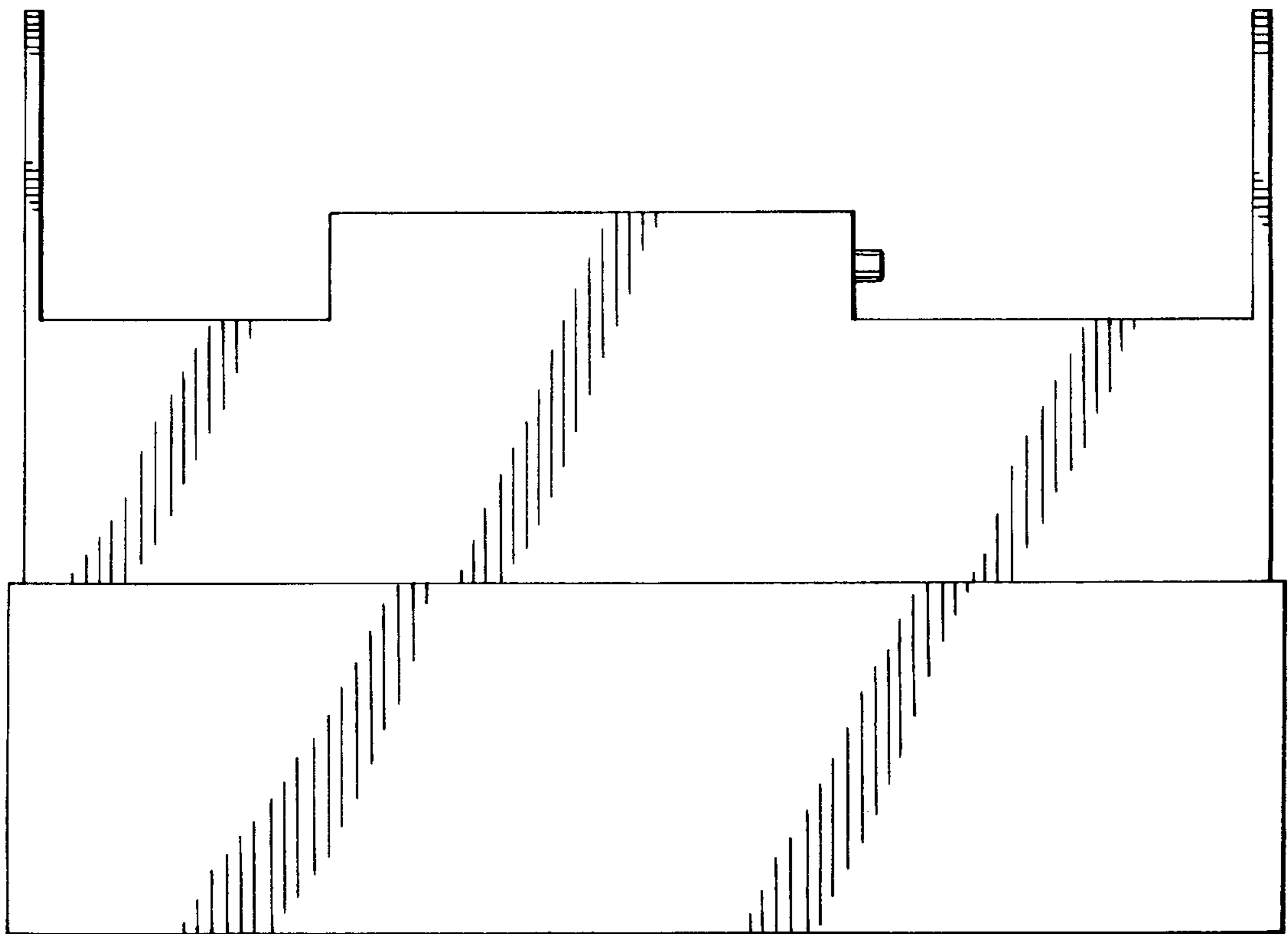
FIG. 2



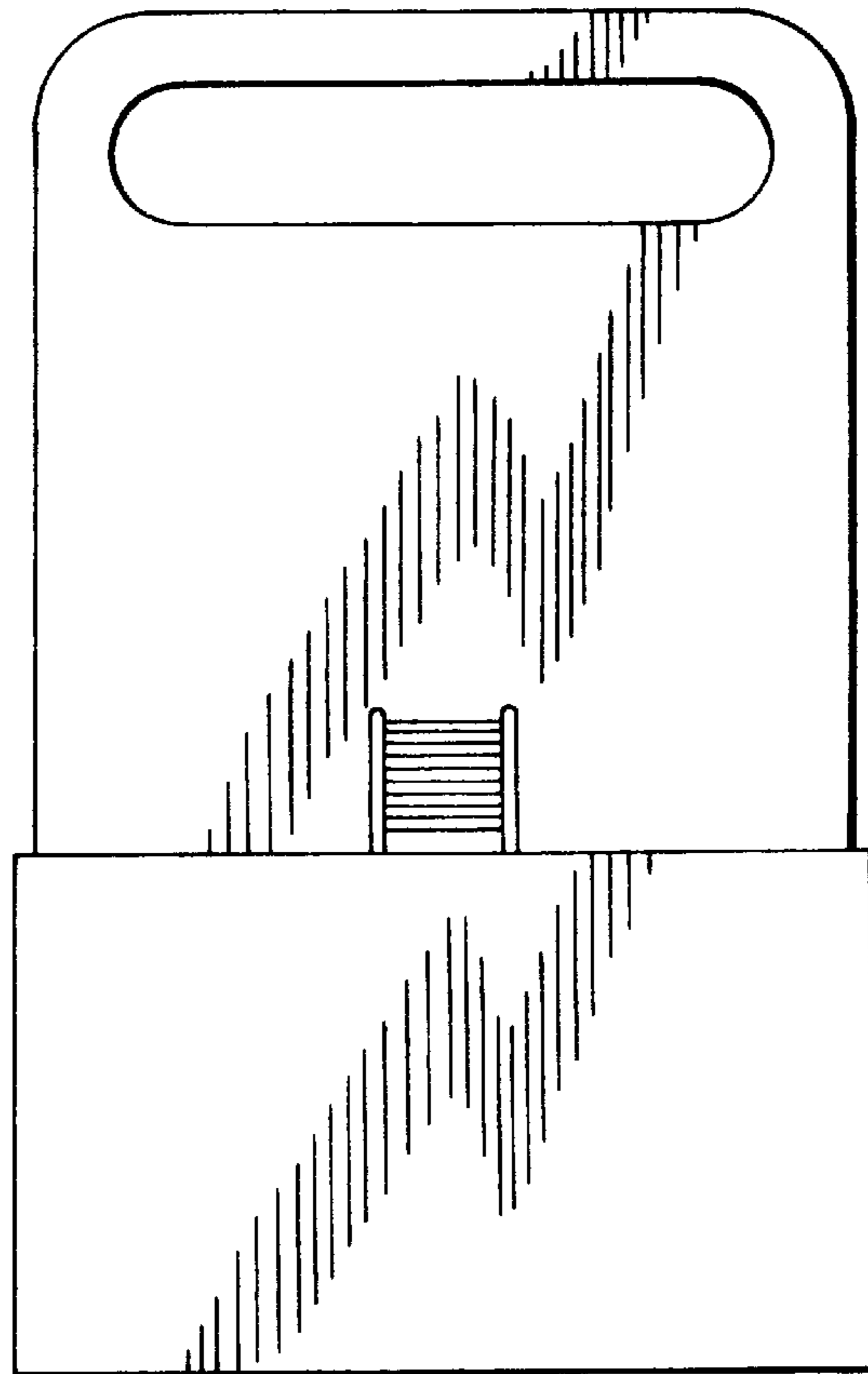
*FIG. 3*



*FIG. 4*



*FIG. 5*



*FIG. 6*

