



US00D440046S

(12) **United States Design Patent**
Kuo

(10) **Patent No.:** **US D440,046 S**

(45) **Date of Patent:** **** Apr. 10, 2001**

- (54) **LUGGAGE BEZEL**
- (75) Inventor: **Chung-Hsien Kuo**, Pan-Chiao (TW)
- (73) Assignee: **Chaw Khong Technology Co., Ltd.**,
Taipei County (TW)
- (**) Term: **14 Years**
- (21) Appl. No.: **29/123,354**
- (22) Filed: **May 17, 2000**
- (51) **LOC (7) Cl.** **03-99**
- (52) **U.S. Cl.** **D3/318**
- (58) **Field of Search** D8/350, 353; D3/318,
D3/321, 276, 279, 281; 16/113.1; 190/18 A,
39, 100, 115, 118

- 5,782,325 * 7/1998 O'Shea et al. 190/18 A
- 5,803,214 * 9/1998 Wang 190/115
- 5,927,451 * 7/1999 Tsai 190/115
- 6,079,527 * 6/2000 Kuo 190/115

* cited by examiner

Primary Examiner—Louis S. Zarfaz
Assistant Examiner—Robert A. Delehanty
(74) *Attorney, Agent, or Firm*—Dougherty & Troxell

(57) **CLAIM**

The ornamental design for a luggage bezel, as shown.

DESCRIPTION

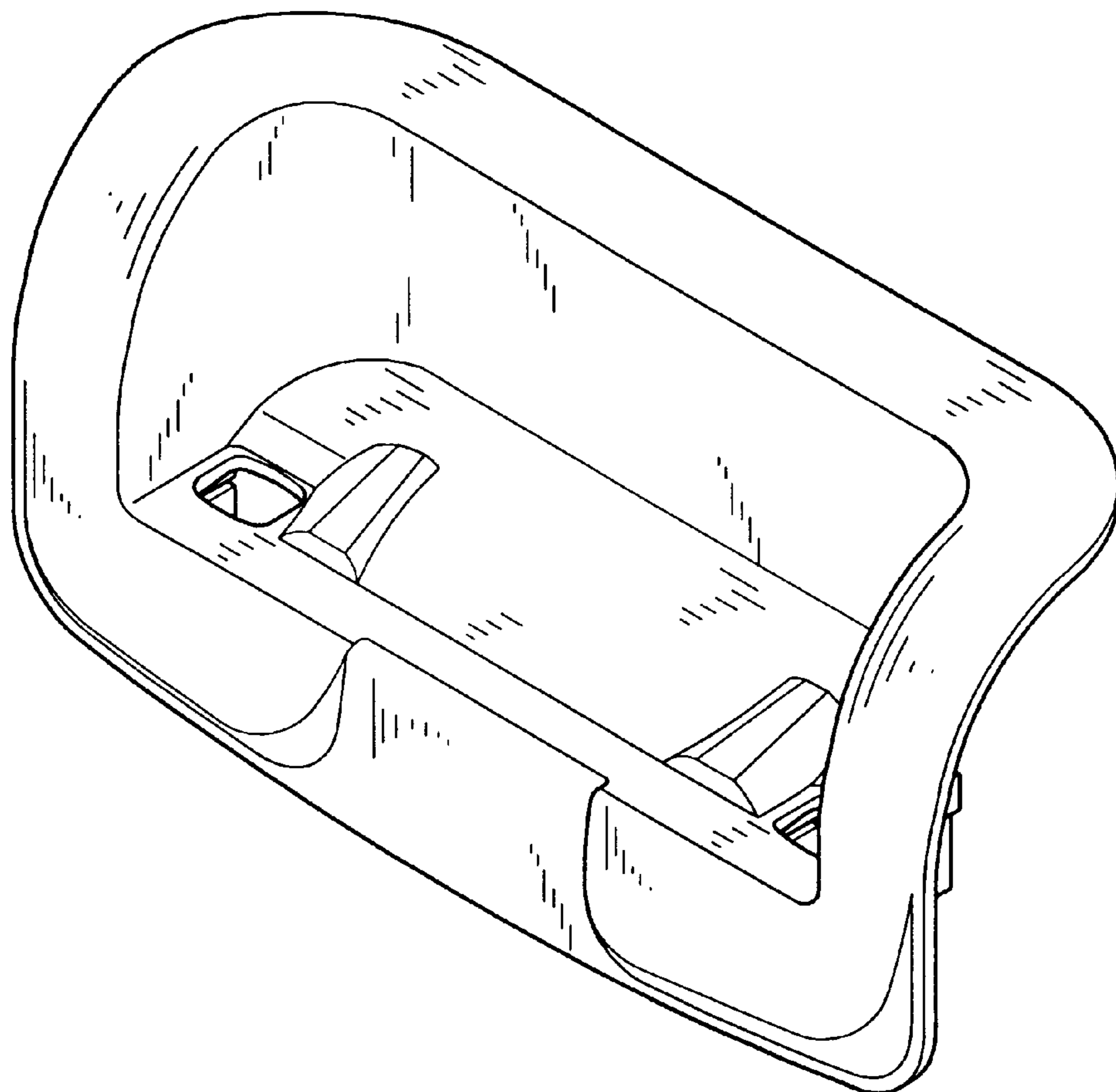
FIG. 1 is a top, front perspective view of the luggage bezel of this invention;
FIG. 2 is a front elevational view thereof;
FIG. 3 is a rear elevational view thereof;
FIG. 4 is a left side elevational view thereof;
FIG. 5 is a right side elevational view thereof;
FIG. 6 is a top plan view thereof;
FIG. 7 is a bottom plan view thereof; and,
FIG. 8 is a bottom, rear perspective thereof.

(56) **References Cited**

U.S. PATENT DOCUMENTS

- D. 373,248 * 9/1996 Wang D3/318
- D. 393,746 * 4/1998 Wang D3/318
- D. 417,134 * 11/1999 Workman D3/318 X
- 5,566,798 * 10/1996 Tsai 190/115
- 5,690,196 * 11/1997 Wang 190/115

1 Claim, 5 Drawing Sheets



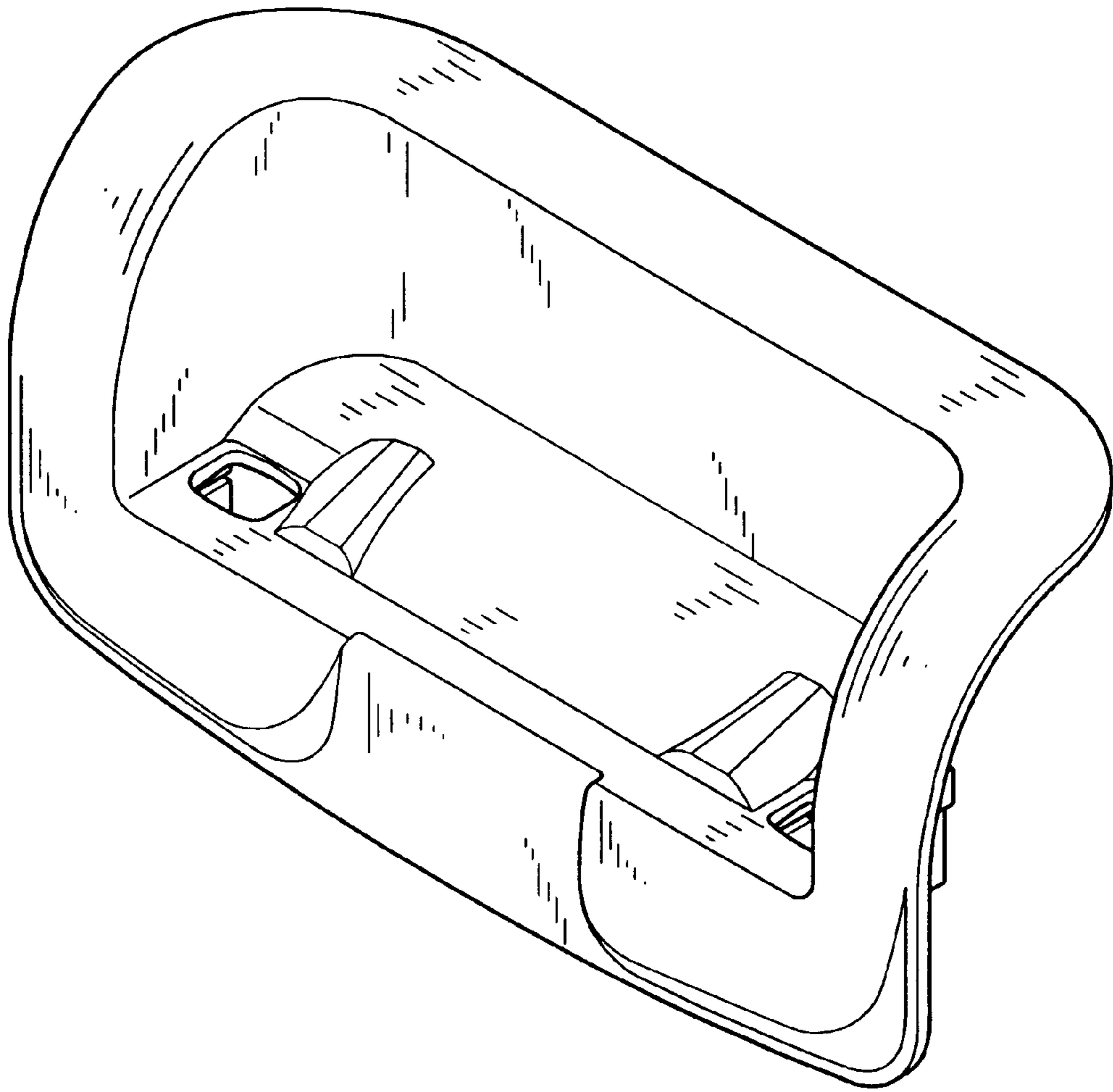


FIG. 1

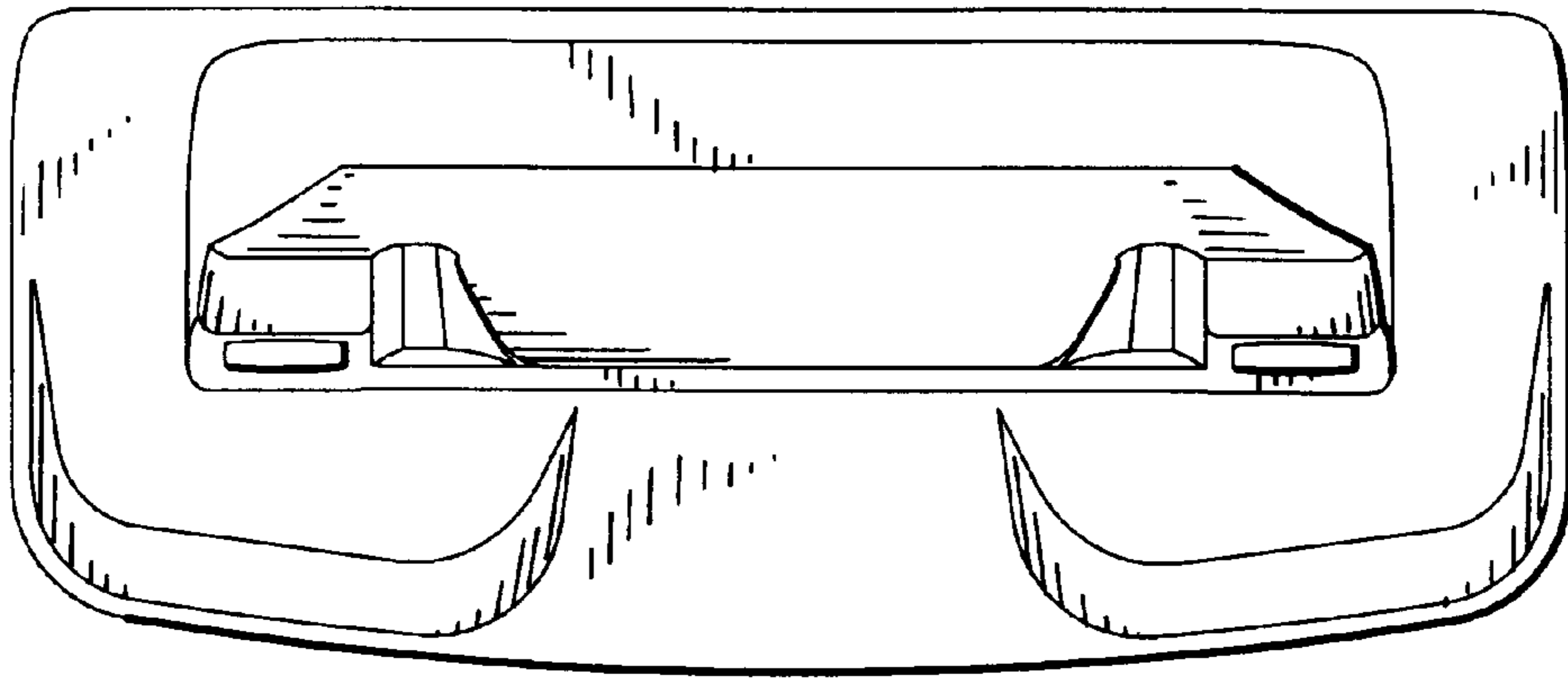


FIG. 2

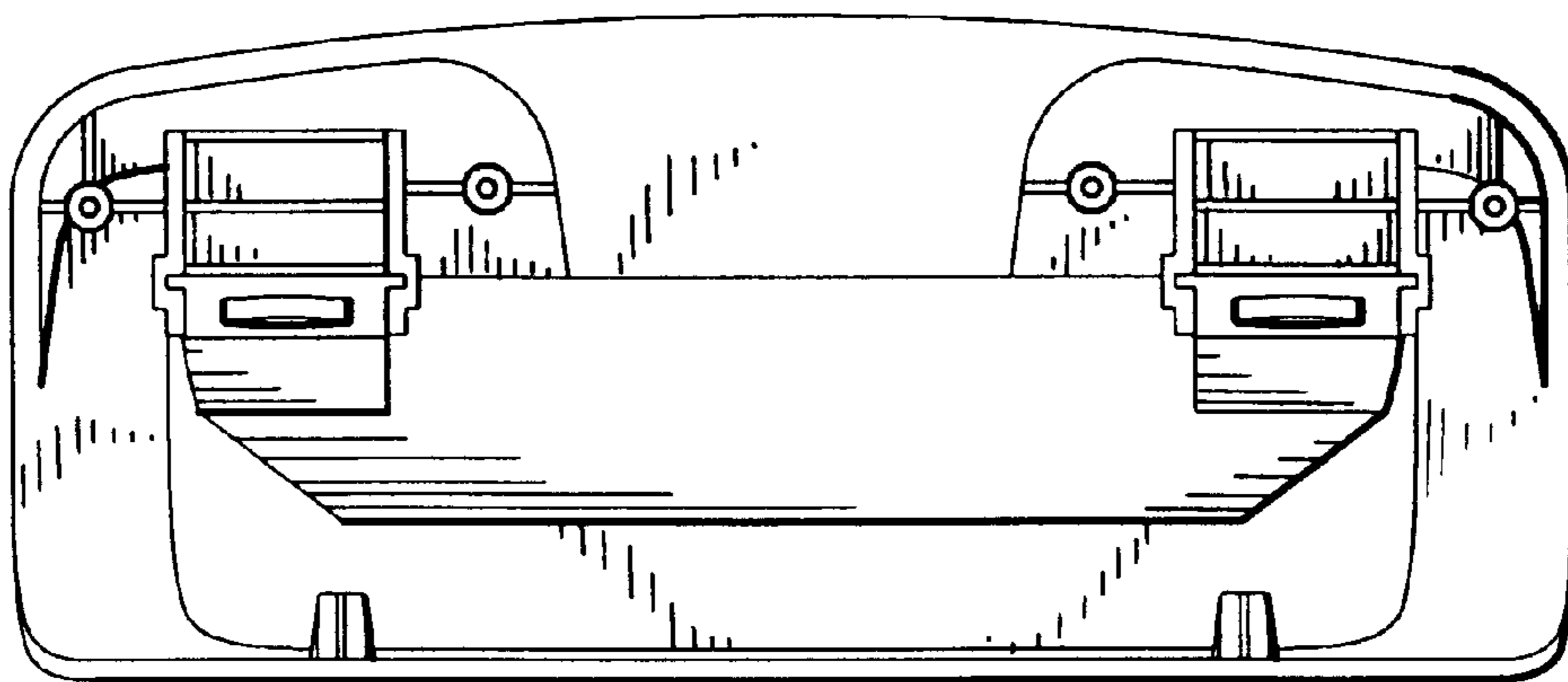


FIG. 3

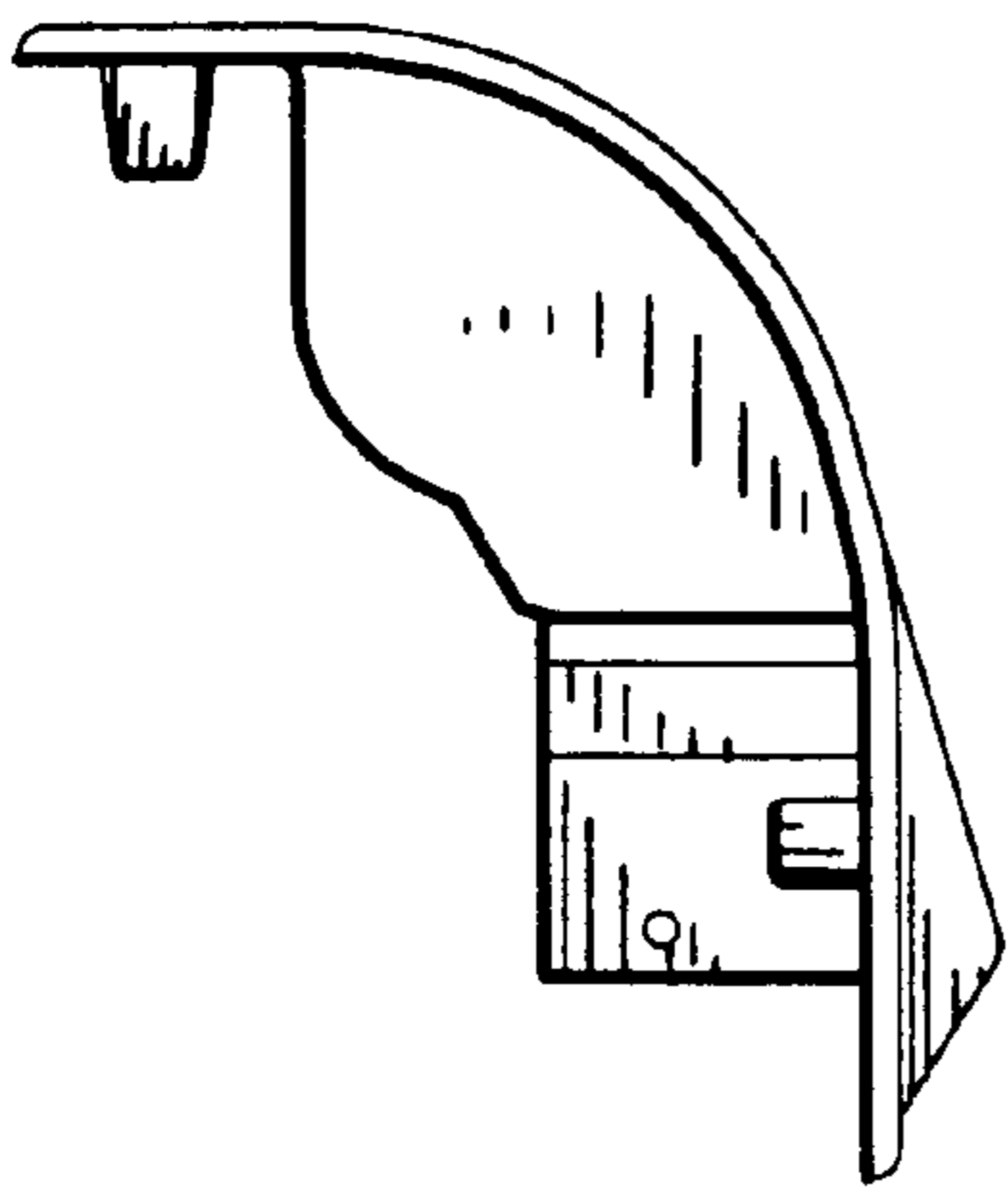


FIG. 4

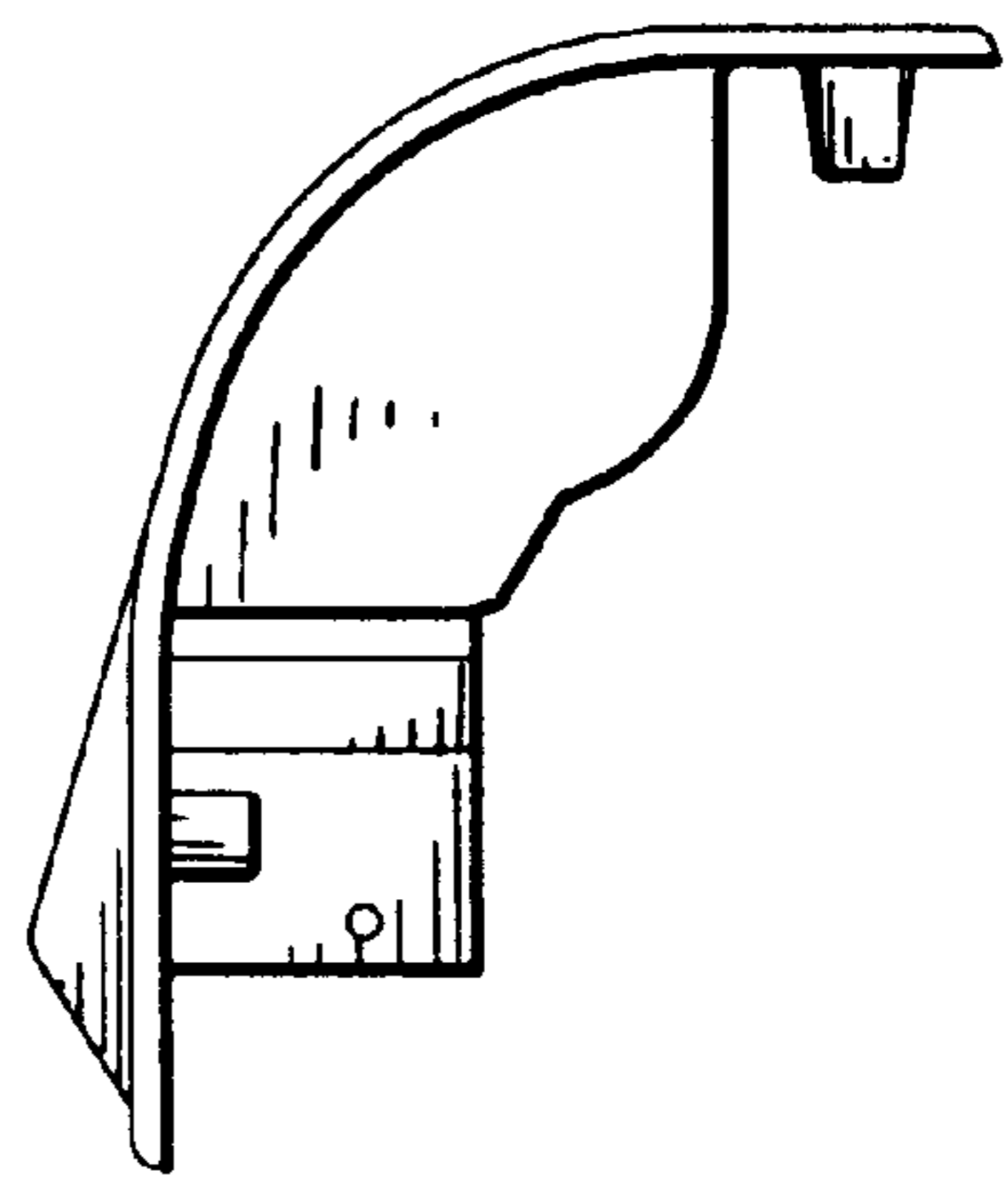


FIG. 5

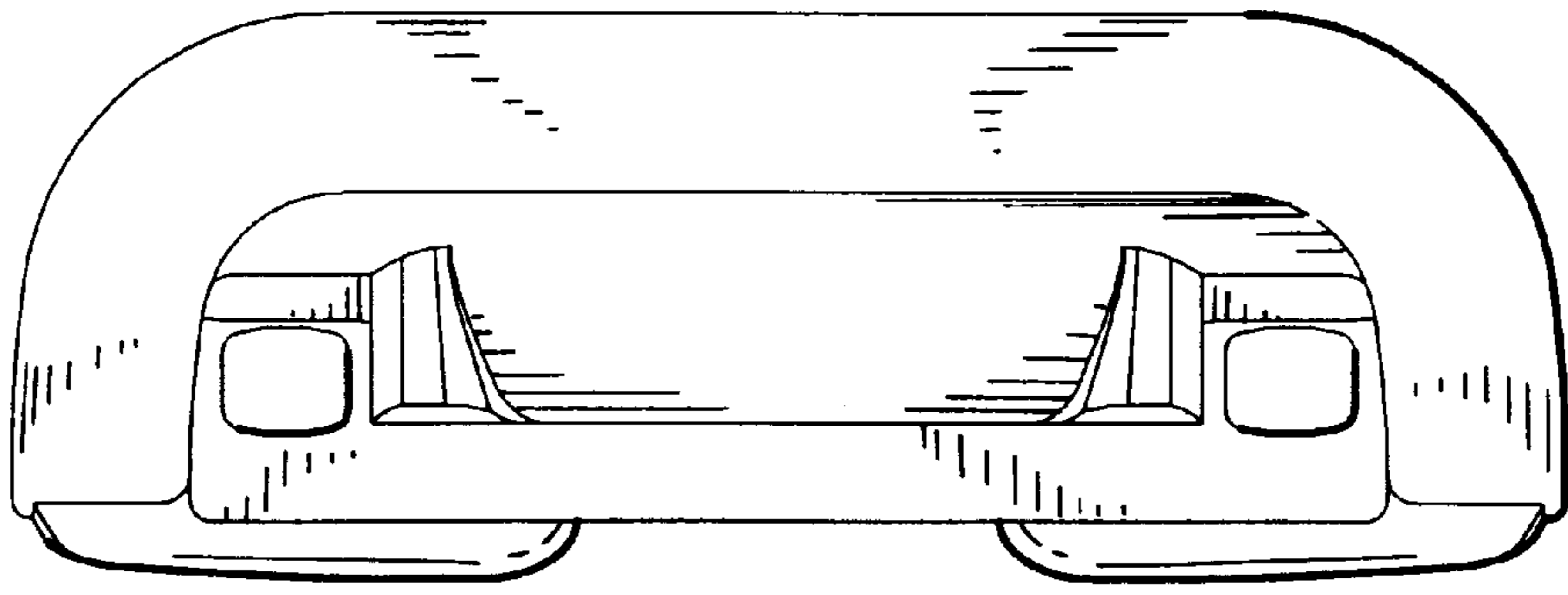


FIG. 6

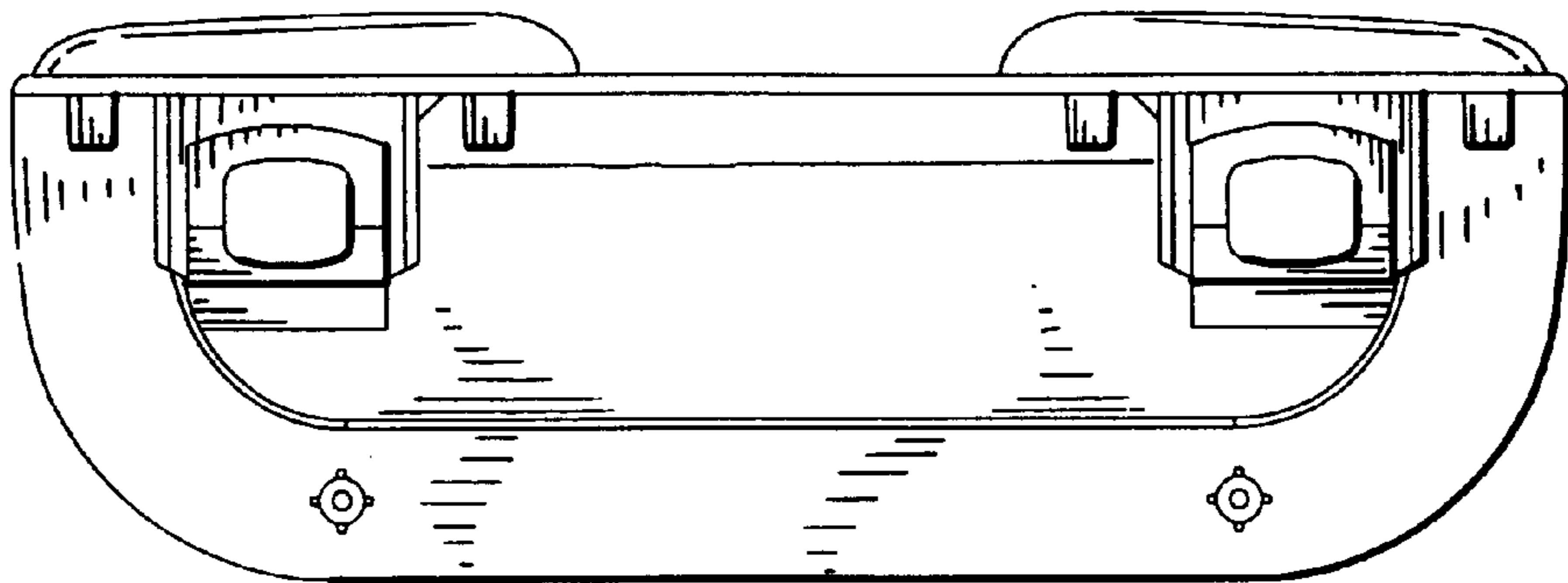


FIG. 7

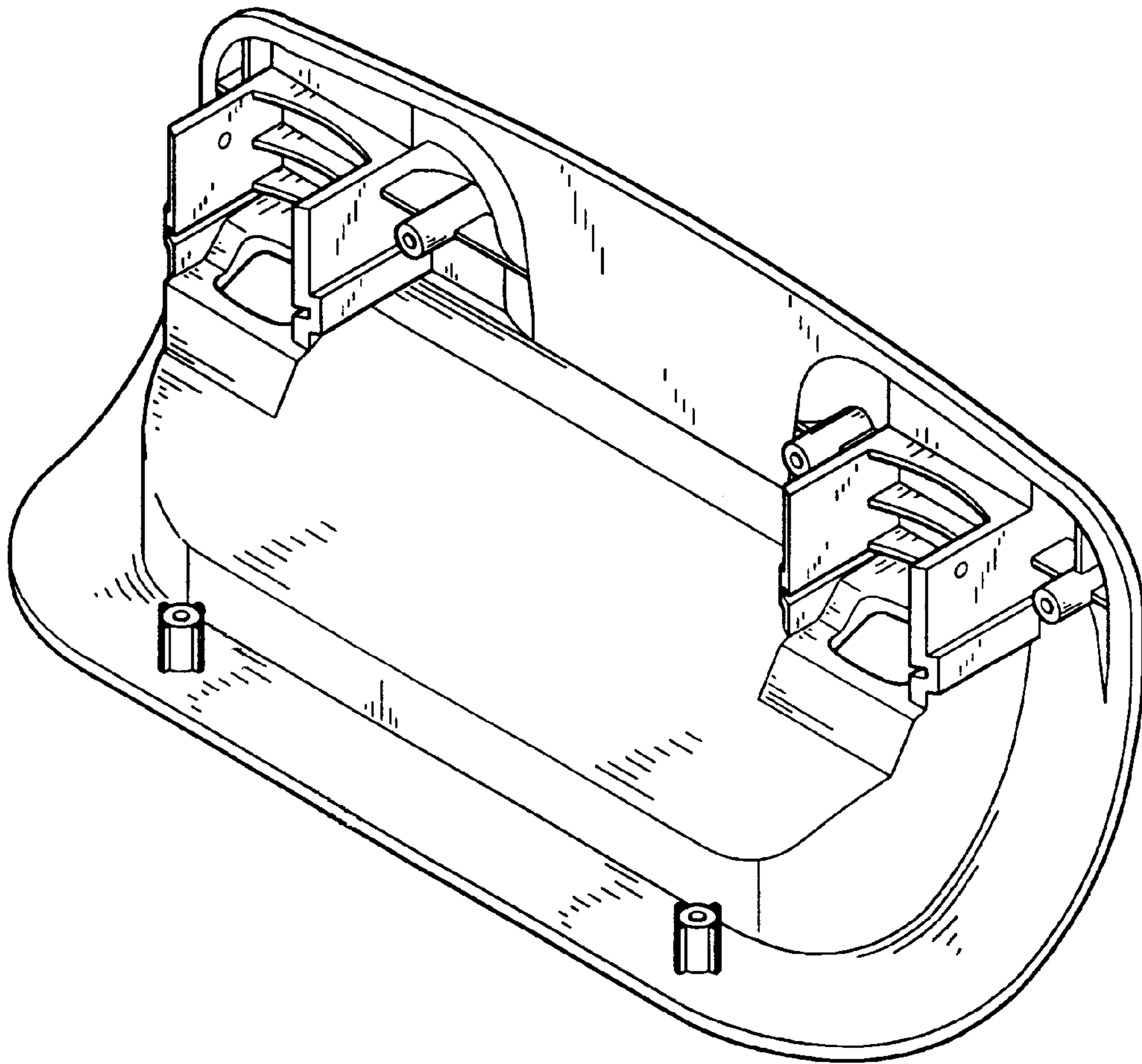


FIG. 8