



US00D440045S

(12) **United States Design Patent**
Vazquez

(10) **Patent No.:** **US D440,045 S**

(45) **Date of Patent:** **** Apr. 10, 2001**

(54) **WINGED LAPTOP BAG WITH SIDE PANELS**

(75) Inventor: **Maximino Vazquez**, New York, NY (US)

(73) Assignee: **Maxworld, Inc.**, New York, NY (US)

(**) Term: **14 Years**

(21) Appl. No.: **29/115,685**

(22) Filed: **Dec. 17, 1999**

(51) **LOC (7) Cl.** **03-01**

(52) **U.S. Cl.** **D3/290**

(58) **Field of Search** D3/276, 283, 284,
D3/285, 287, 289, 290; 190/100, 109, 110,
111, 112, 113

(56) **References Cited**

U.S. PATENT DOCUMENTS

D. 276,953	1/1985	Weinreb	D3/289
D. 302,211	7/1989	Sears	D3/283
D. 333,913	* 3/1993	Tuman	D3/285
D. 340,356	10/1993	Hughes	D3/283
D. 346,694	* 5/1994	Cyr et al.	D3/287
D. 356,678	3/1995	Tawil	D3/276
D. 358,483	5/1995	Cross et al.	D3/276
D. 358,935	* 6/1995	Chang et al.	D3/276
D. 360,075	7/1995	Cross et al.	D3/276
D. 360,977	8/1995	Katz	D3/276
D. 360,978	8/1995	Willard et al.	D3/301
D. 368,370	4/1996	Tawil	D3/276
D. 381,807	* 8/1997	Pickle	D3/273

(List continued on next page.)

Primary Examiner—Philip S. Hyder

(74) *Attorney, Agent, or Firm*—Darby & Darby

(57) **CLAIM**

The ornamental design for a winged laptop bag with side panels, as shown and described.

DESCRIPTION

FIG. 1 is a top plan view of an interior surface of a winged

laptop bag with side panels shown in an unfolded state with the wings in an open condition and further showing a pouch for receiving items, the fabric of the bag being made from a first preselected fabric in at least one of a color and a pattern, and the wings being made from a fabric corresponding to the first preselected fabric;

FIG. 2 is a bottom plan view of the bag of FIG. 1 showing an exterior surface thereof;

FIG. 3 is a top plan view of the bag of FIG. 1 in which the wings are in a closed condition and further showing overlapping wing tips;

FIG. 4 a bottom plan view of the bag of FIG. 2, showing the wings in the closed condition;

FIG. 5 is a top perspective view of the bag of FIG. 1;

FIG. 6 is a bottom perspective view of the bag of FIG. 2;

FIG. 7 is a right side perspective view of the bag of FIG. 1, the left side view being a mirror image thereof;

FIG. 8 is a right side perspective view of the bag of FIG. 3, the left side view being a mirror image thereof;

FIG. 9 is a right side perspective view of the bag of FIG. 3, with the bag now shown in a folded state;

FIG. 10 is a top plan view of the exterior surface of the winged laptop bag, when viewed in the folded state;

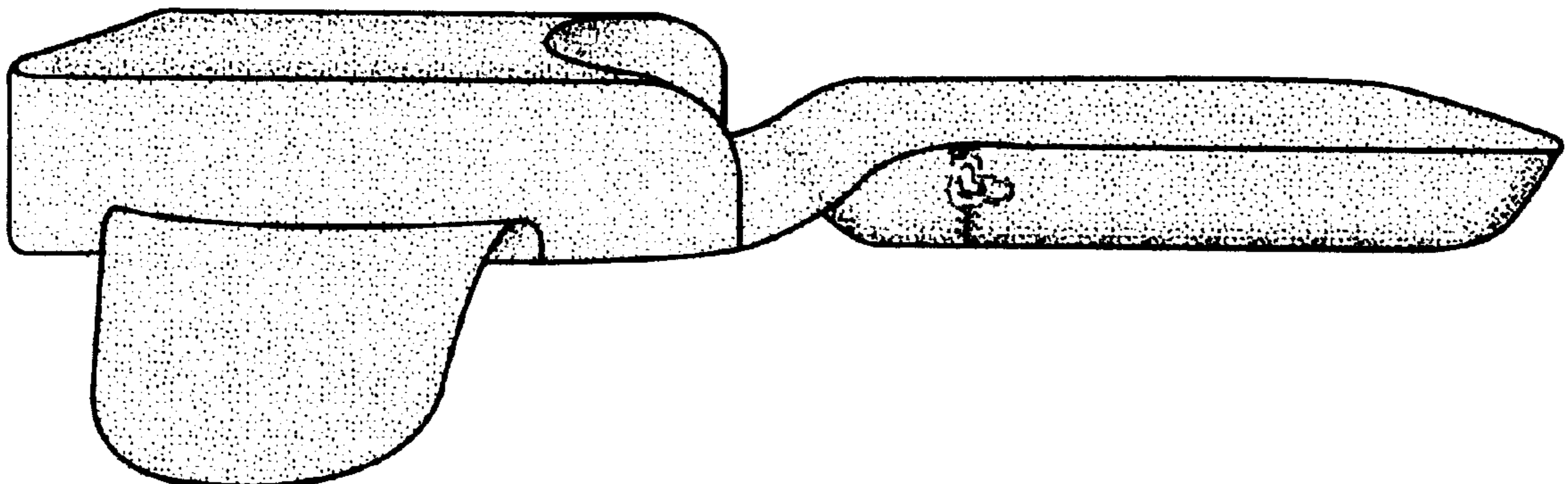
FIG. 11 is a bottom plan view of the exterior surface of the winged laptop bag, when viewed in the folded state;

FIG. 12 is the top plan view of a modified embodiment of FIG. 1, now showing the wings being made from a second preselected fabric which is different than the first preselected fabric; and,

FIG. 13 is a bottom plan view of a modified embodiment, now showing the wings being made from a second preselected fabric which is different than the first preselected fabric.

The broken line showing of the closure device provided on the wings (e.g., hook and loop fasteners), the pouch, the handle and the zipper as well as the position and size of these elements relative to the claimed design and any other broken lines are to show the environment only (e.g., stitching) and are not part of the claimed design.

1 Claim, 6 Drawing Sheets



US D440,045 S

Page 2

U.S. PATENT DOCUMENTS							
				4,796,735	1/1989	Horiuchi	190/109
D. 387,906	*	12/1997	Petty	5,706,992	1/1998	Moor	224/657
D. 390,352		2/1998	Lane	5,826,770	10/1998	Chuang	224/607
D. 391,076		2/1998	Test				
D. 417,782	*	12/1999	Tawil				

* cited by examiner

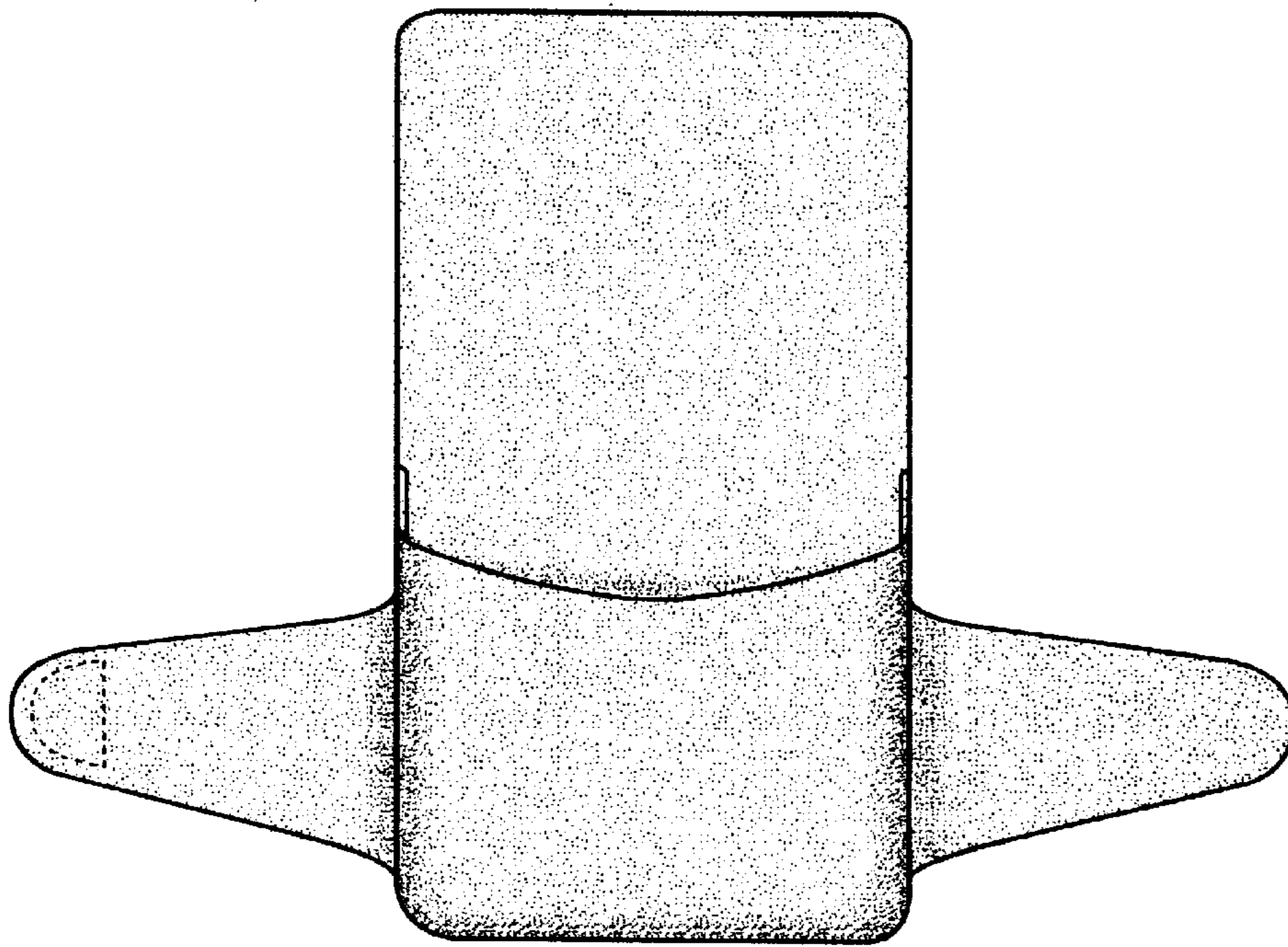


FIG. 1

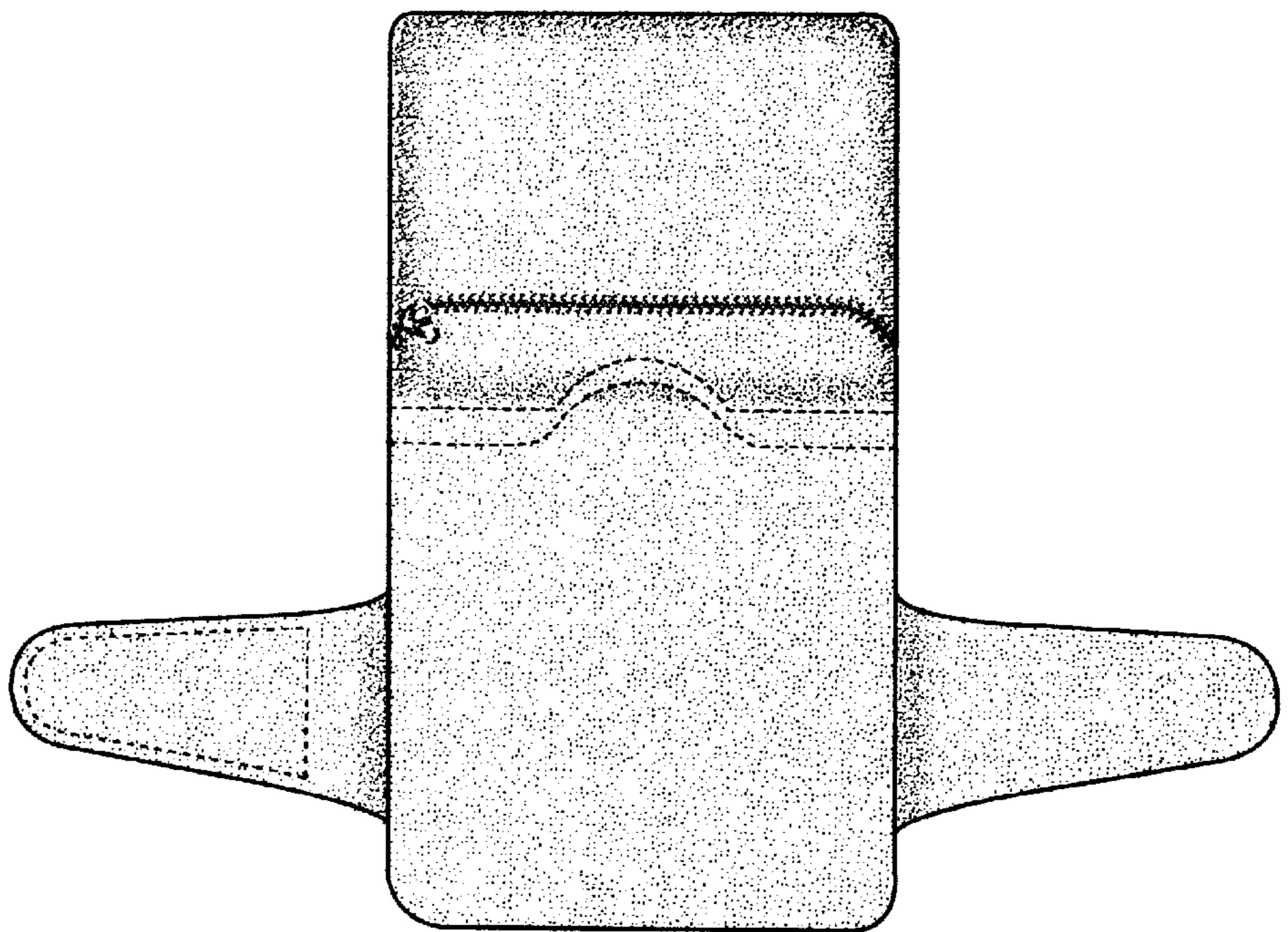


FIG. 2

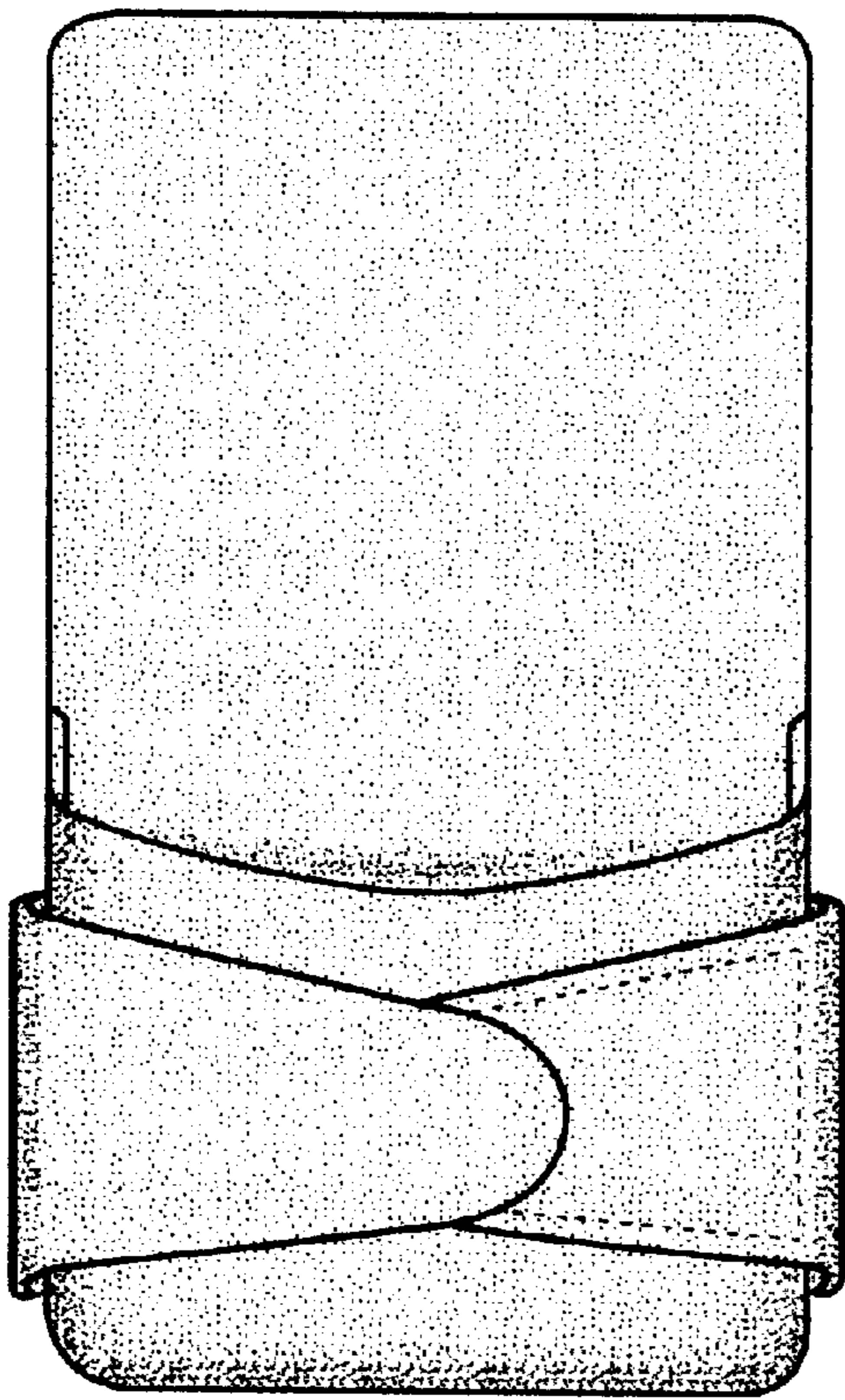


FIG. 3

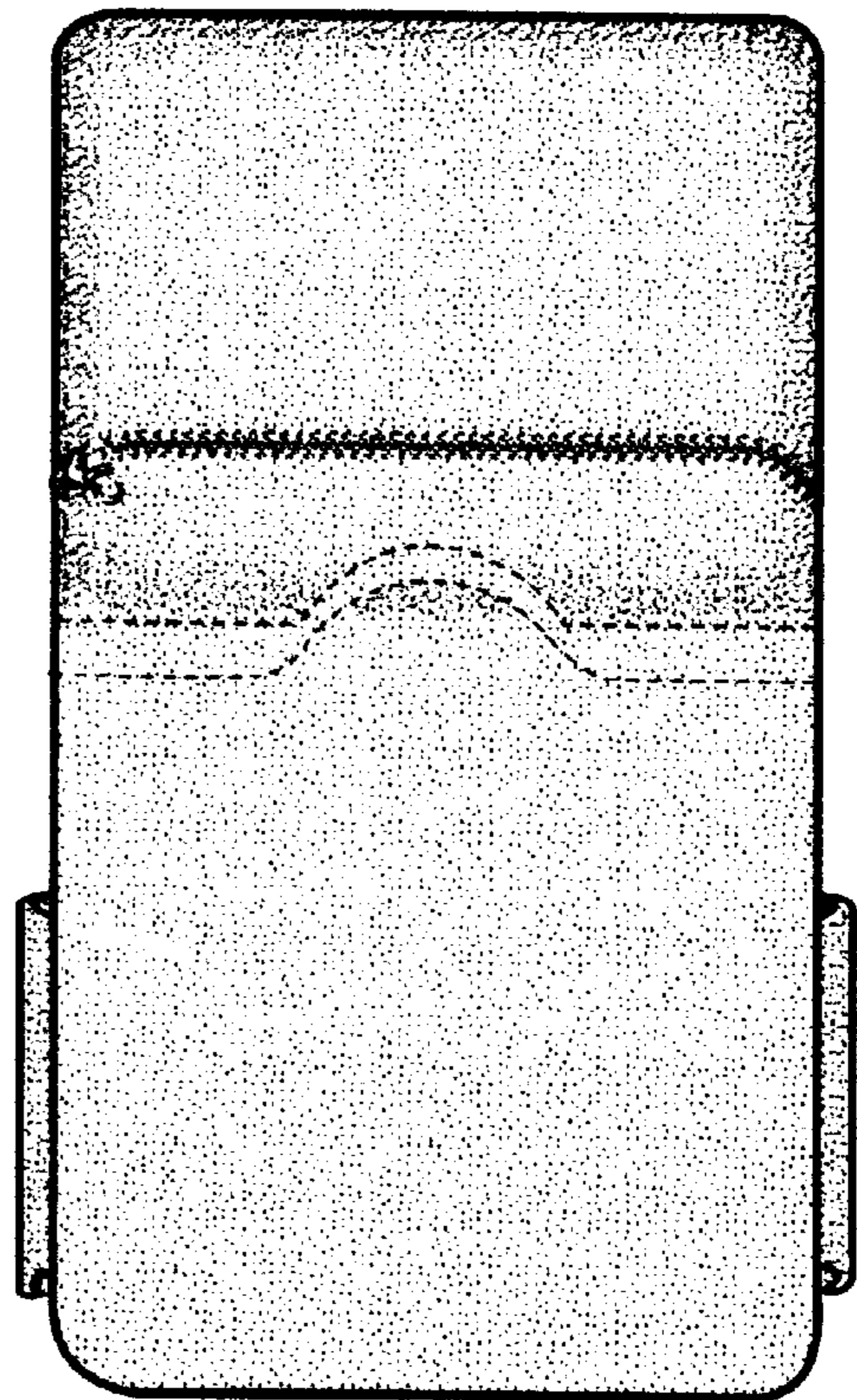


FIG. 4

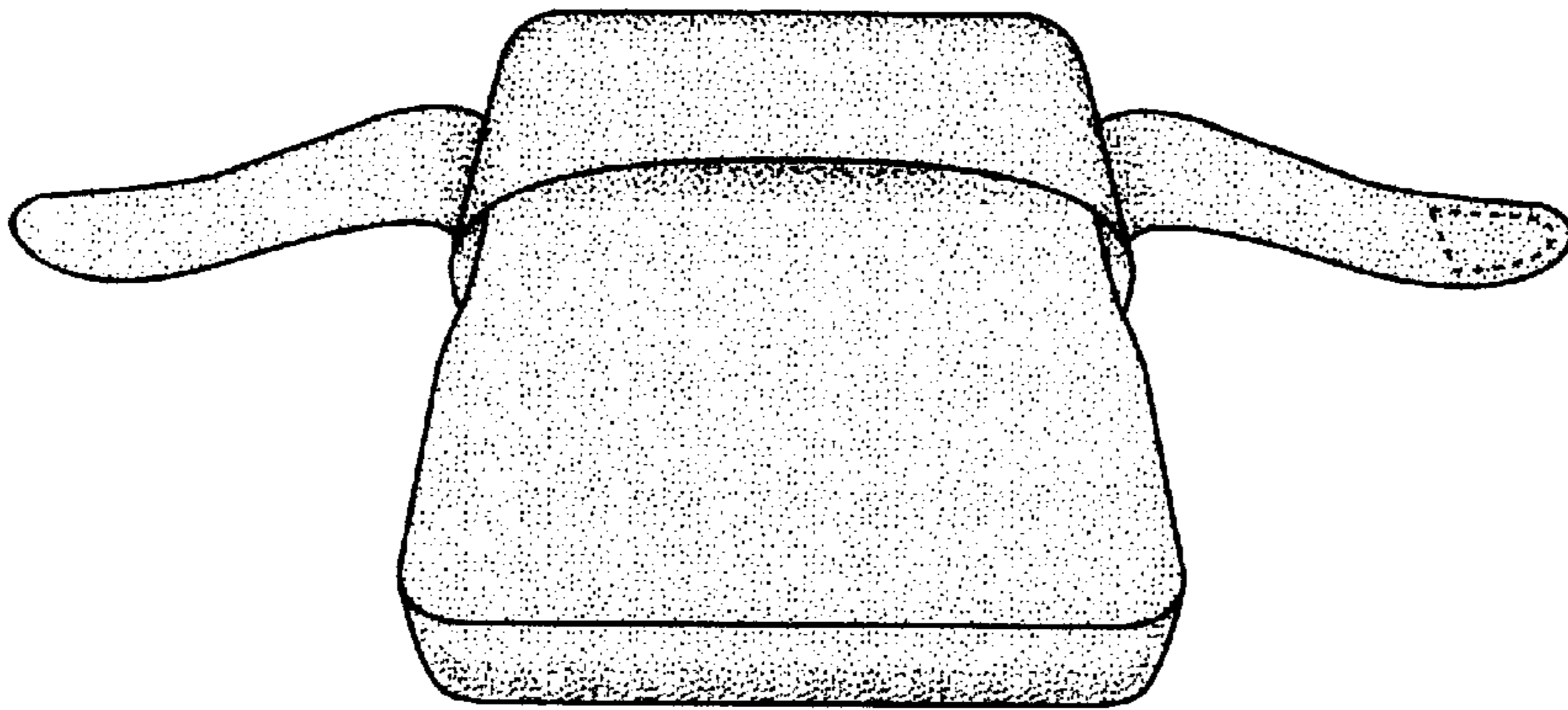


FIG. 5

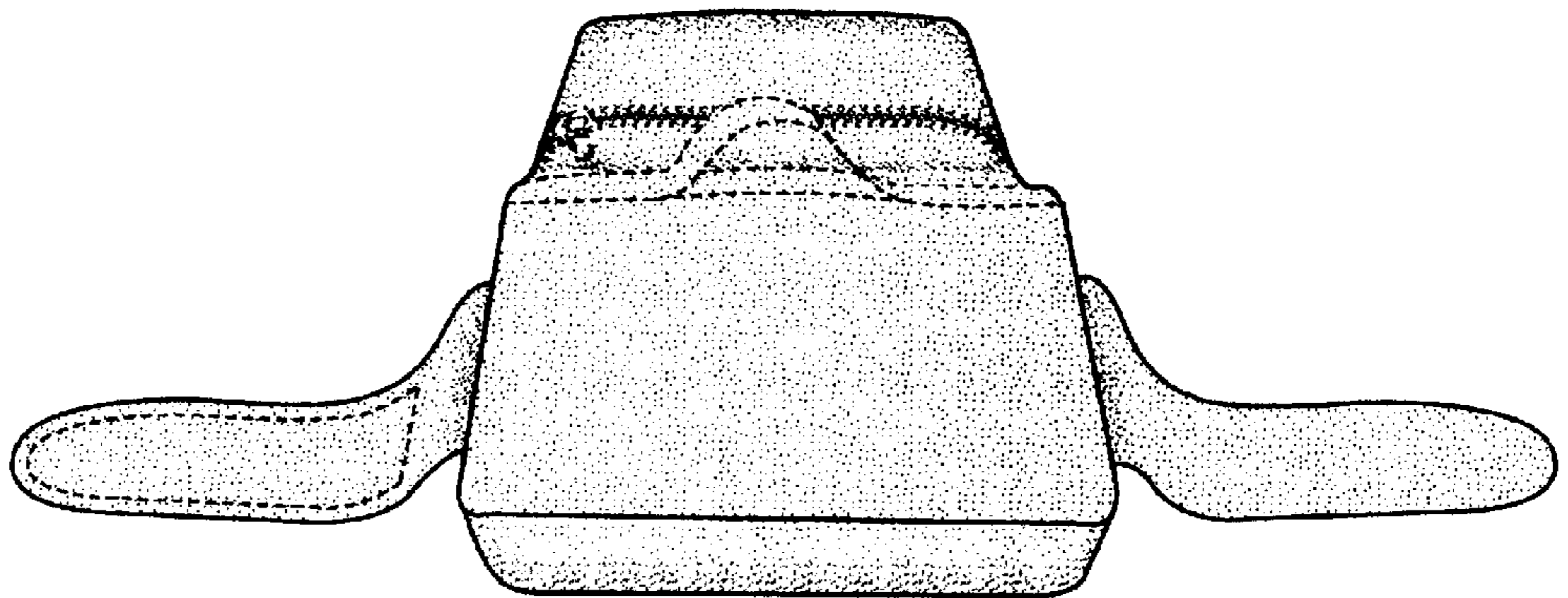


FIG. 6

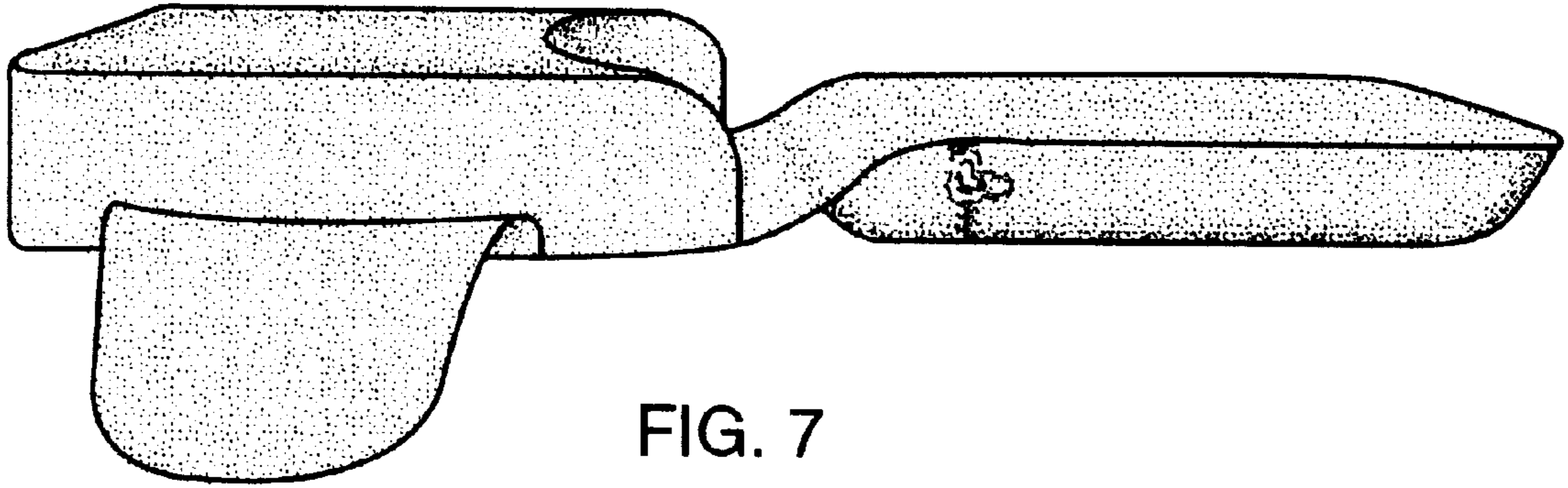


FIG. 7

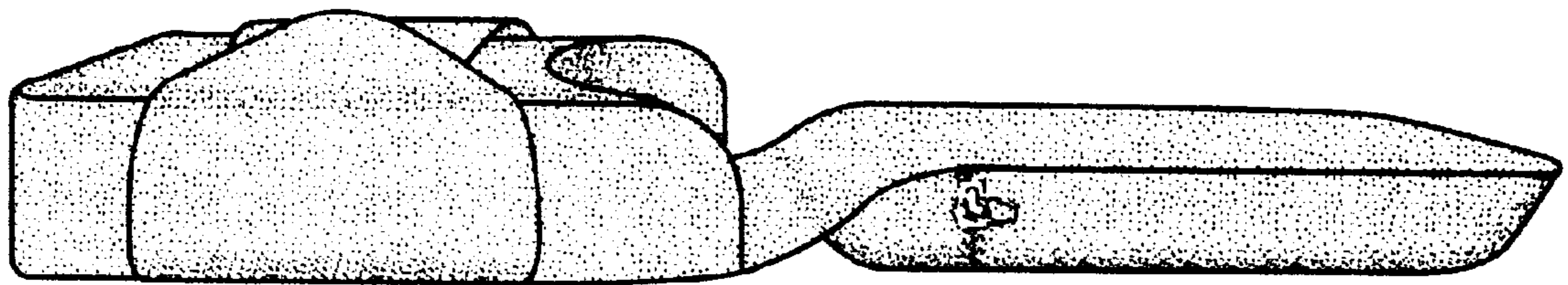


FIG. 8

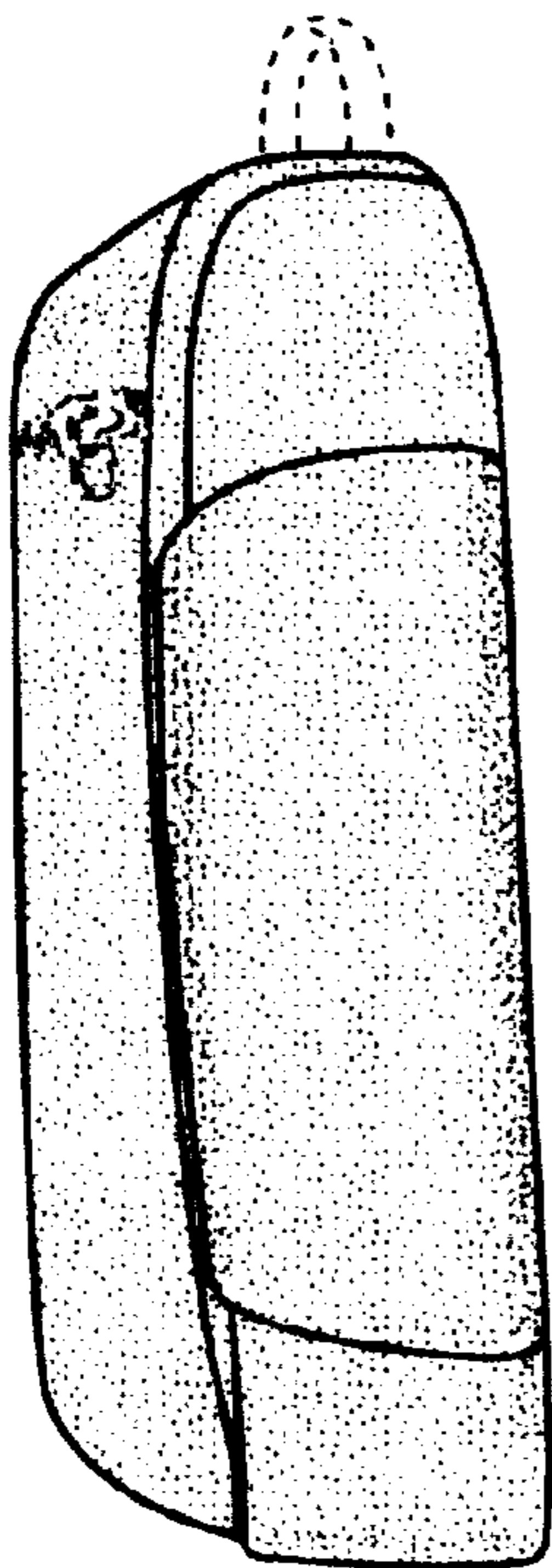


FIG. 9

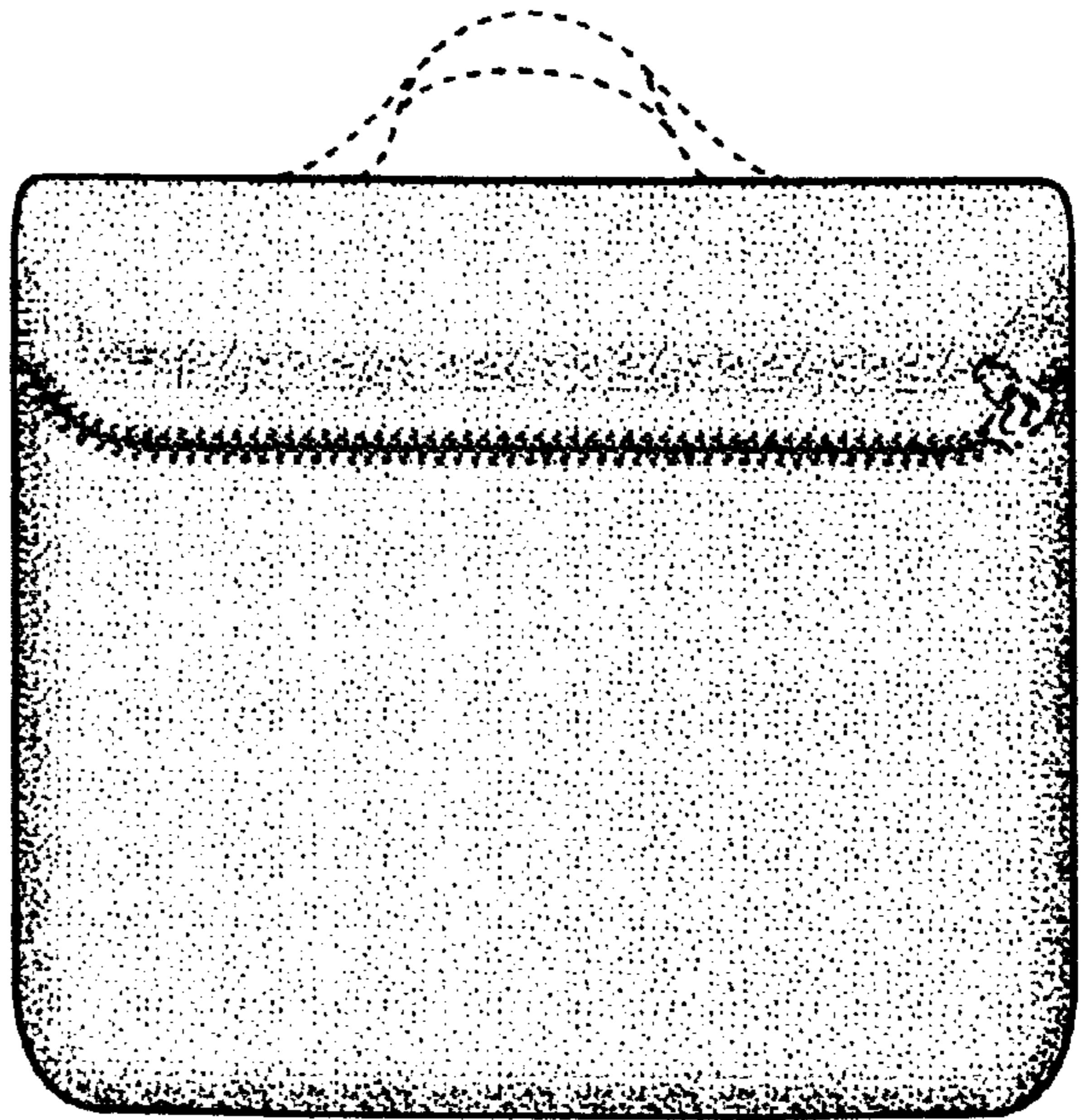


FIG. 10

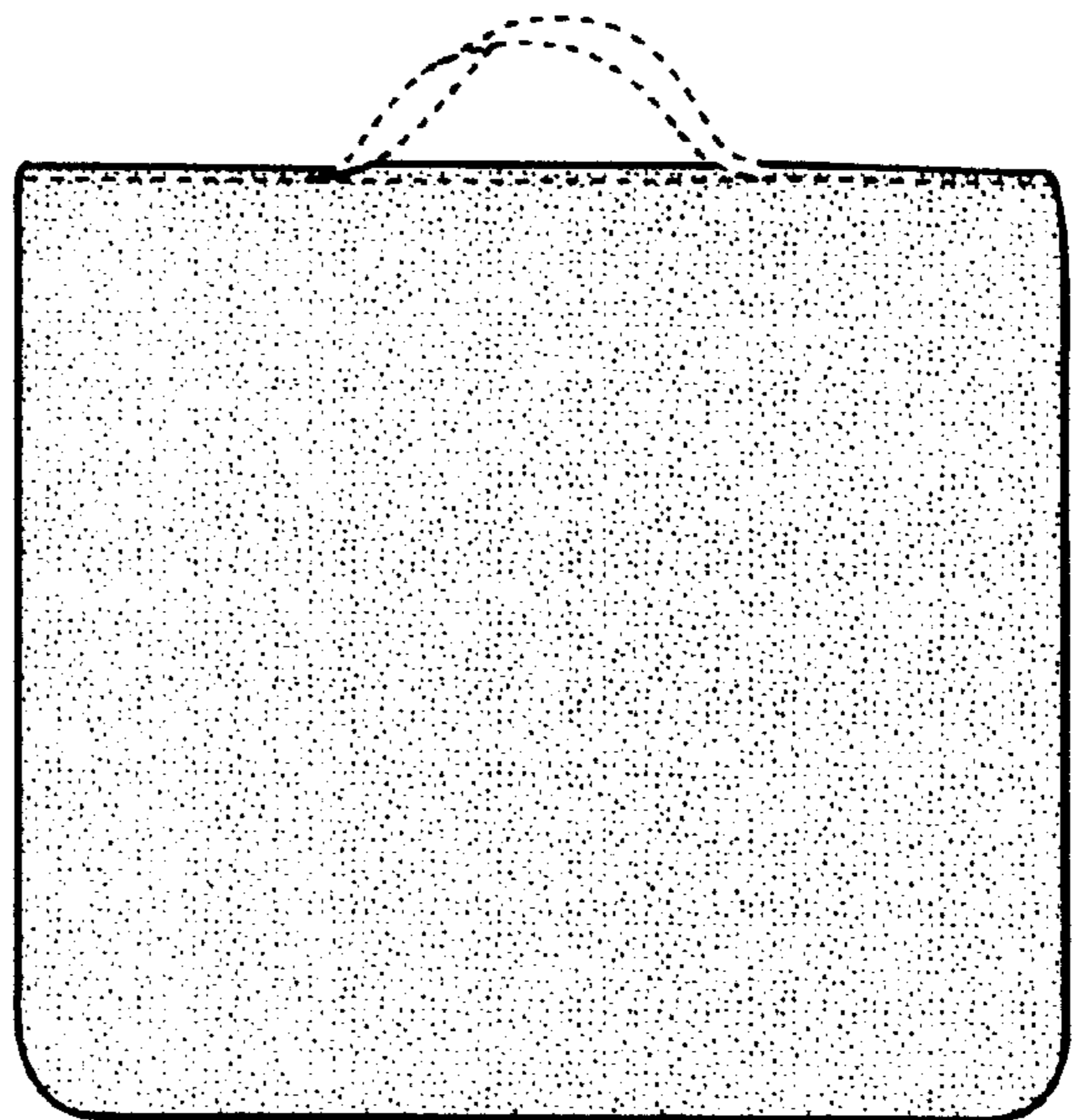


FIG. 11

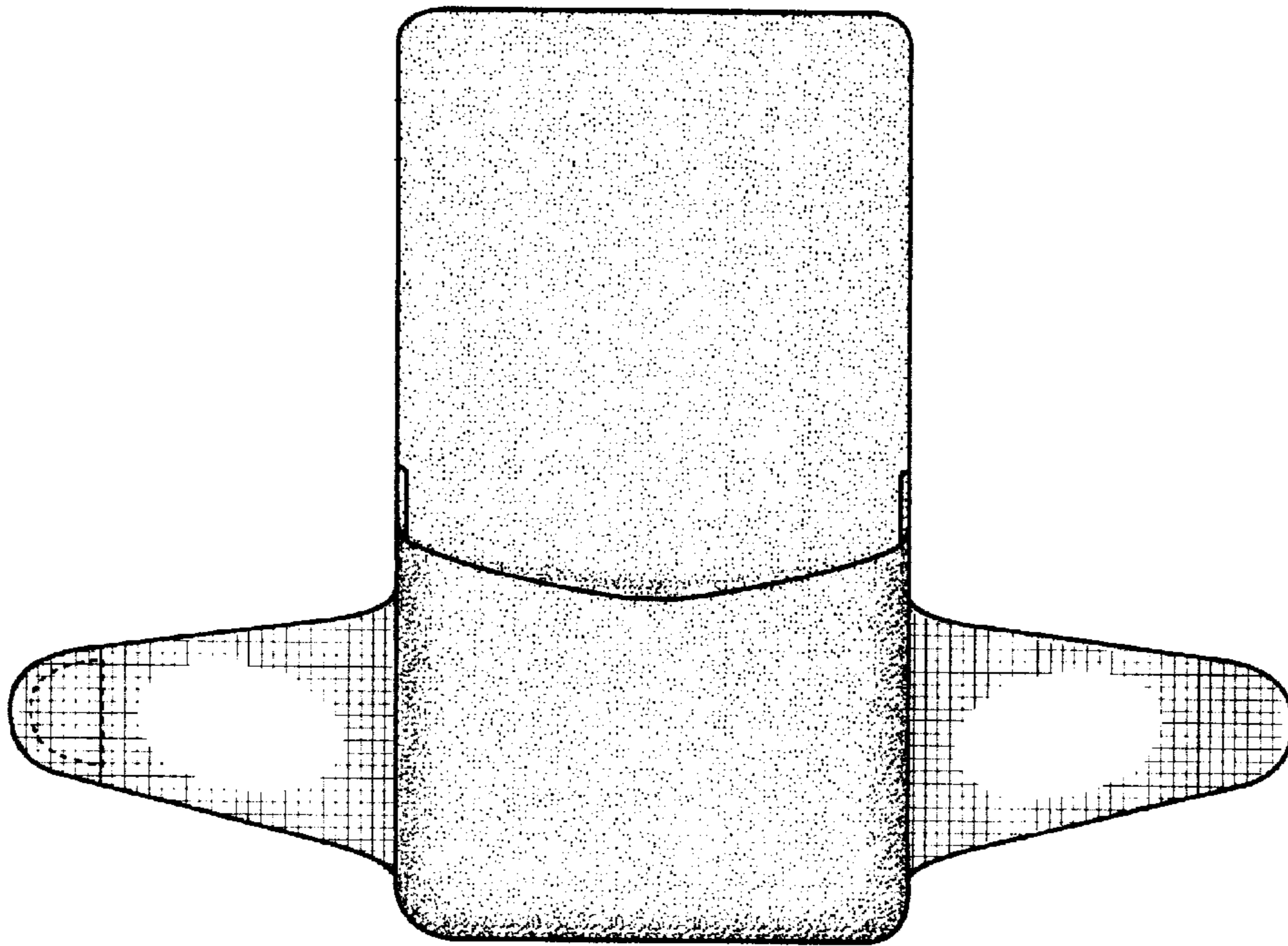


FIG. 12

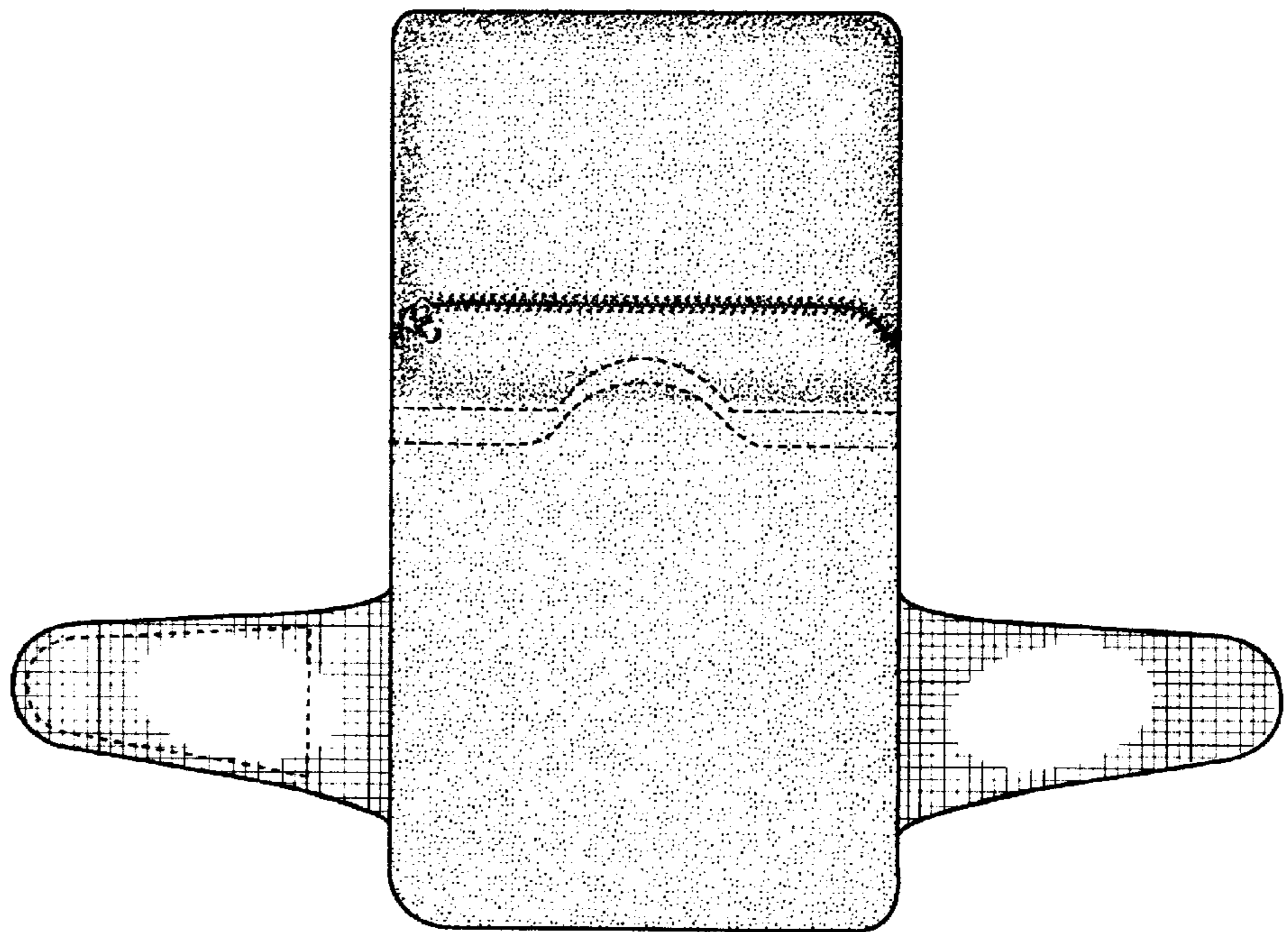


FIG. 13