



US00D440044S

(12) **United States Design Patent**
Williams

(10) **Patent No.:** **US D440,044 S**

(45) **Date of Patent:** **** Apr. 10, 2001**

(54) **PUZZLE BOX**

(75) **Inventor:** Allison Lynette Williams, Tortola (VG)

(73) **Assignee:** Allison L. Williams

(**) **Term:** 14 Years

(21) **Appl. No.:** 29/118,319

(22) **Filed:** Feb. 8, 2000

(51) **LOC (7) Cl.** 03-01

(52) **U.S. Cl.** D3/284

(58) **Field of Search** D3/273, 276, 283,
D3/284, 294, 295; D6/432; 206/315.1, 372,
373; 190/100, 109, 110, 115; 273/157 R

(56) **References Cited**

U.S. PATENT DOCUMENTS

- D. 272,203 * 1/1984 Di Bartolo D3/295
- D. 275,833 * 10/1984 Malpass D3/284
- D. 308,609 * 6/1990 Handler et al. D6/432
- D. 356,890 * 4/1995 Ryaa D3/276

D. 394,749 * 6/1998 Ford et al. D3/295

D. 402,106 * 12/1998 Buckingham et al. D3/295

4,344,646 * 8/1982 Michel .

4,687,202 * 8/1987 Palma 273/157 R

* cited by examiner

Primary Examiner—Raphael Barkai

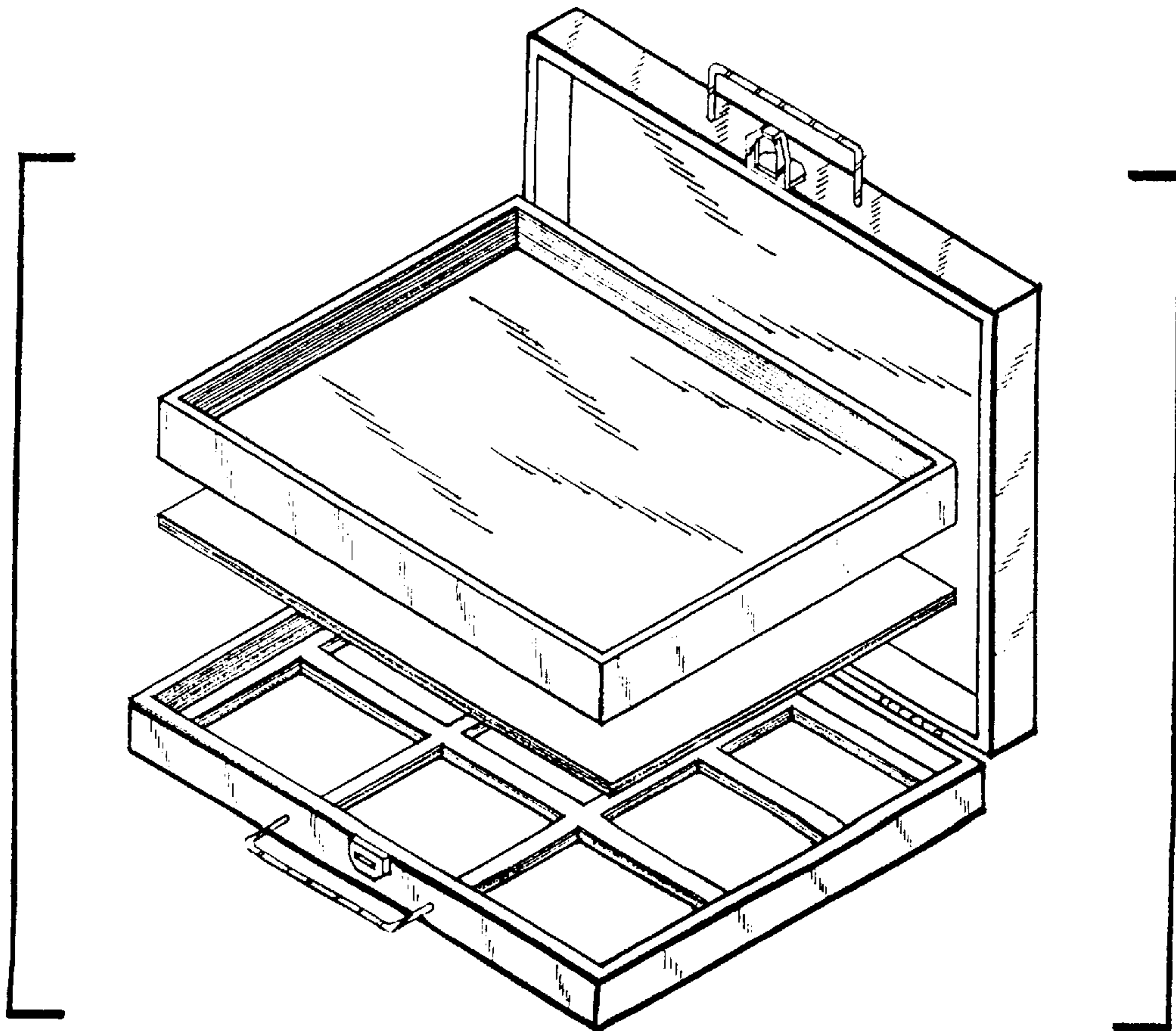
(57) **CLAIM**

The ornamental design for a puzzle box, as shown and described.

DESCRIPTION

FIG. 1 is an axonometric of the top view of a puzzle box showing my new design;
 FIG. 2 is an axonometric of the bottom view of FIG. 1;
 FIG. 3 is a front view of FIG. 1;
 FIG. 4 is a rear view of FIG. 1;
 FIG. 5 is a side view of FIG. 1;
 FIG. 6 is a side view of FIG. 1; and,
 FIG. 7 is an exploded axonometric of FIG. 1.

1 Claim, 2 Drawing Sheets



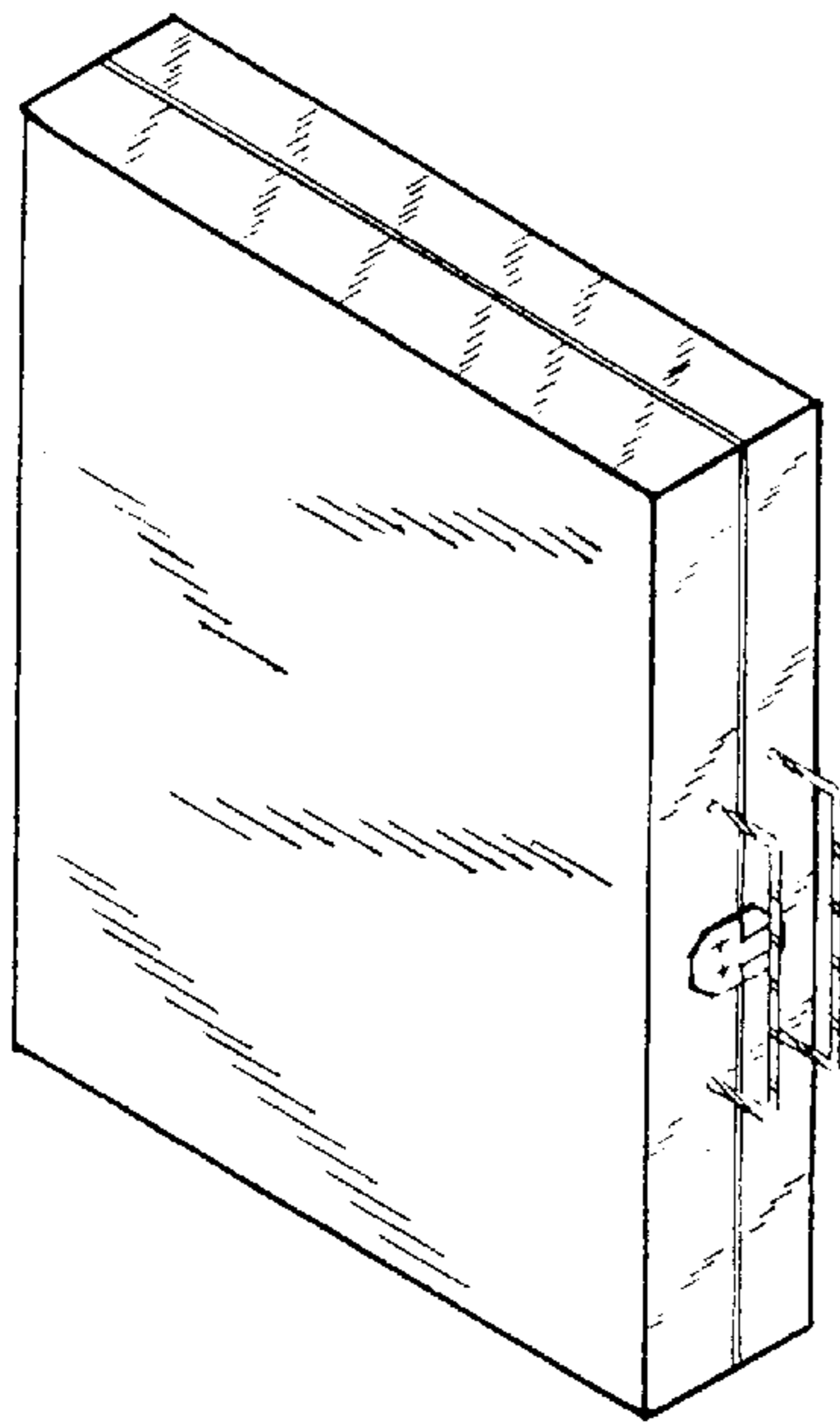


Fig. 1

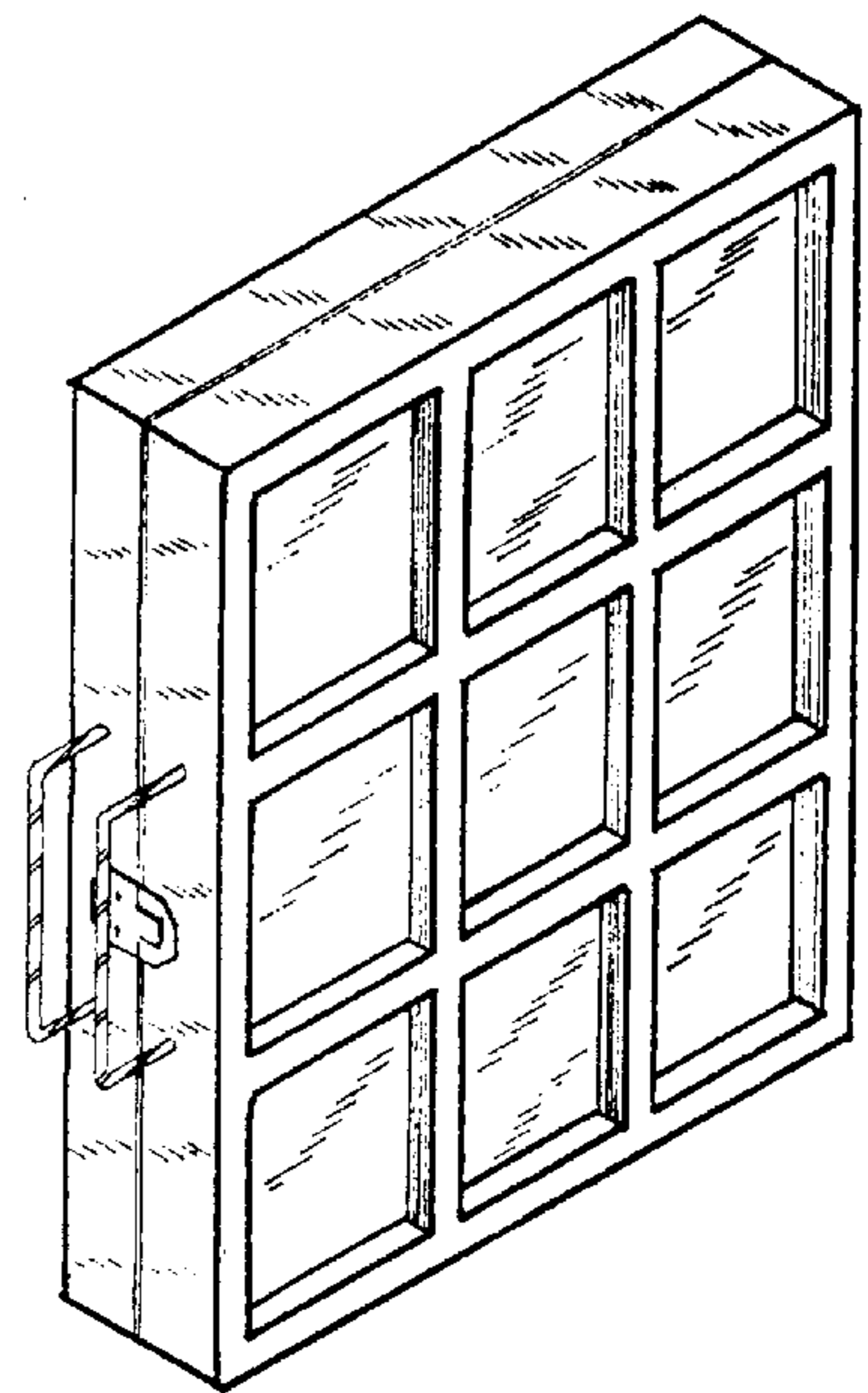


Fig. 2

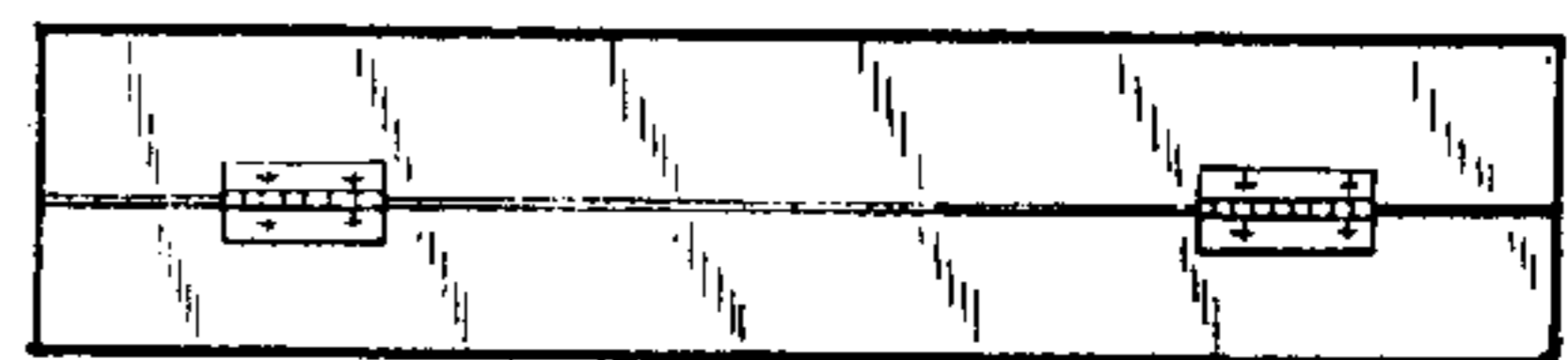


Fig. 3

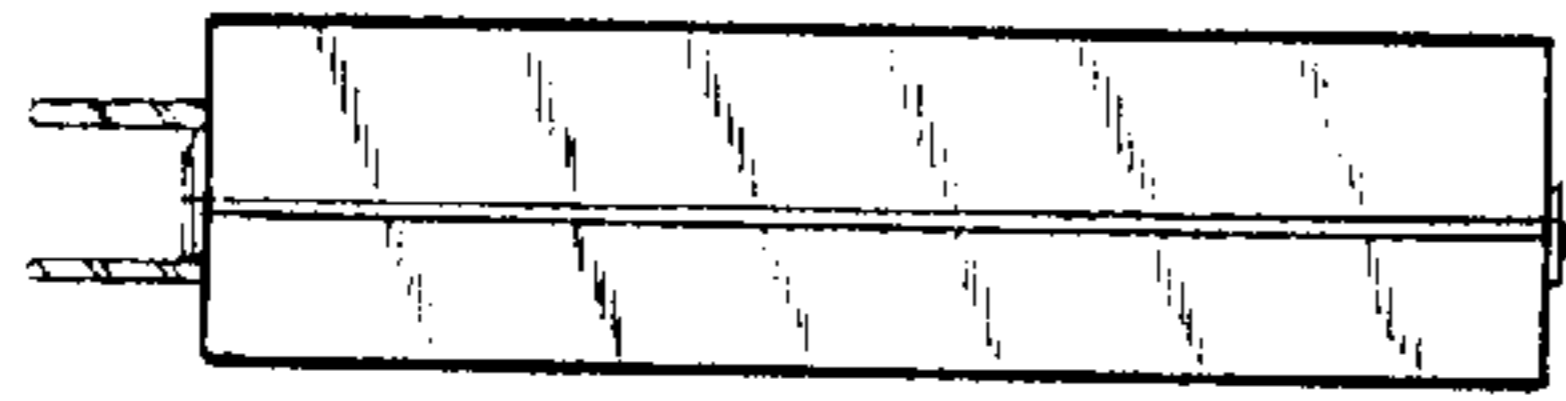


Fig. 4



Fig. 5

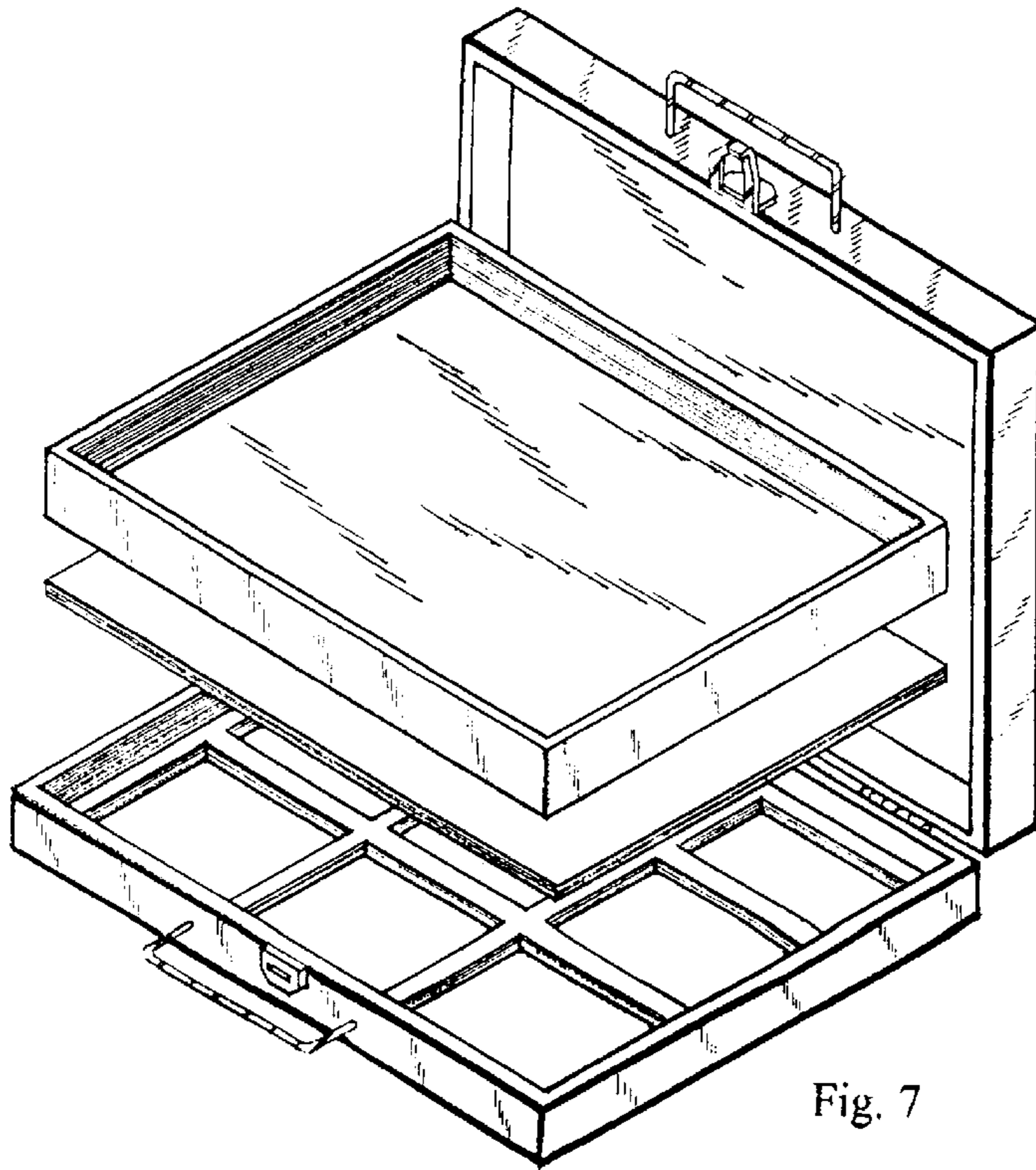


Fig. 6

Fig. 7