



US00D440043S

(12) **United States Design Patent**  
**Miller et al.**

(10) **Patent No.:** **US D440,043 S**

(45) **Date of Patent:** **\*\* Apr. 10, 2001**

(54) **POWER TOOL CASE**

5,676,254 \* 10/1997 Cheng ..... 206/373

(75) Inventors: **Paul Joseph Miller**, Hoffmann Estates;  
**Robert J. Knutsen**, Hickory Hills, both  
of IL (US)

\* cited by examiner

*Primary Examiner*—Raphael Barkai  
(74) *Attorney, Agent, or Firm*—Fitch, Even, Tabin &  
Flannery

(73) Assignee: **The Chamberlain Group, Inc.**,  
Elmhurst, IL (US)

(57) **CLAIM**

(\*\*) Term: **14 Years**

I claim the ornamental design for a power tool case, as  
shown and described.

(21) Appl. No.: **29/116,375**

**DESCRIPTION**

(22) Filed: **Dec. 30, 1999**

(51) **LOC (7) Cl.** ..... **03-01**

(52) **U.S. Cl.** ..... **D3/282; D3/905**

(58) **Field of Search** ..... D3/272, 273, 276,  
D3/281, 282, 291, 294, 295, 905; 206/349,  
372, 373, 377, 378, 379, 508; 190/110–112

FIG. 1 is a perspective view of the power tool case according  
to my new design;

FIG. 2 is a top plan view of the power tool case of FIG. 1;  
FIG. 3 is a front elevational view of the power tool case of  
FIG. 1;

FIG. 4 is a rear elevational view of the power tool case of  
FIG. 1;

FIG. 5 is a right side elevational view of the power tool case  
of FIG. 1;

FIG. 6 is a left side elevational view of the power tool case  
of FIG. 1;

FIG. 7 is a bottom plan view of the power tool case of FIG.  
1; and,

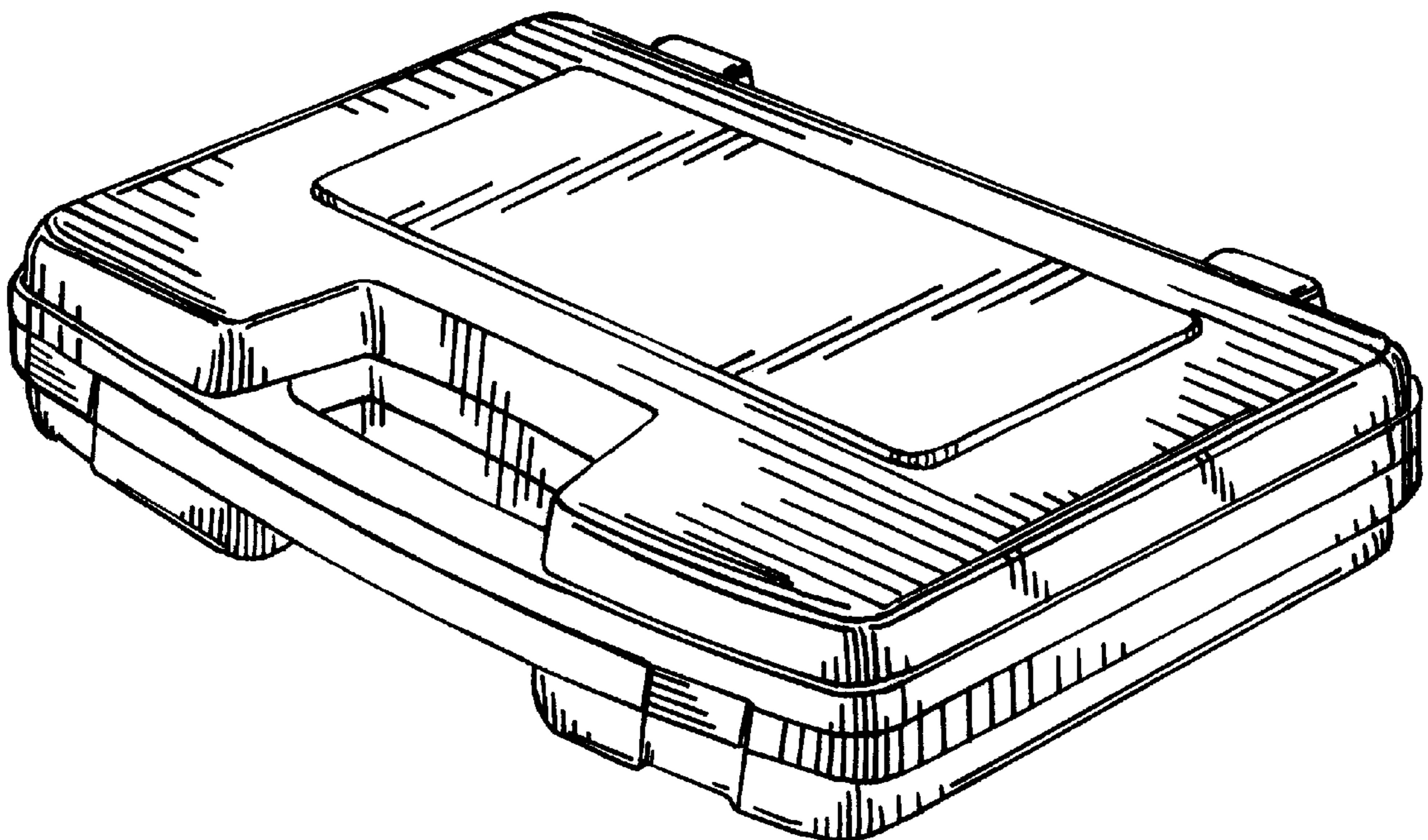
FIG. 8 is a perspective view of the power tool case of FIG.  
1 in an opened condition.

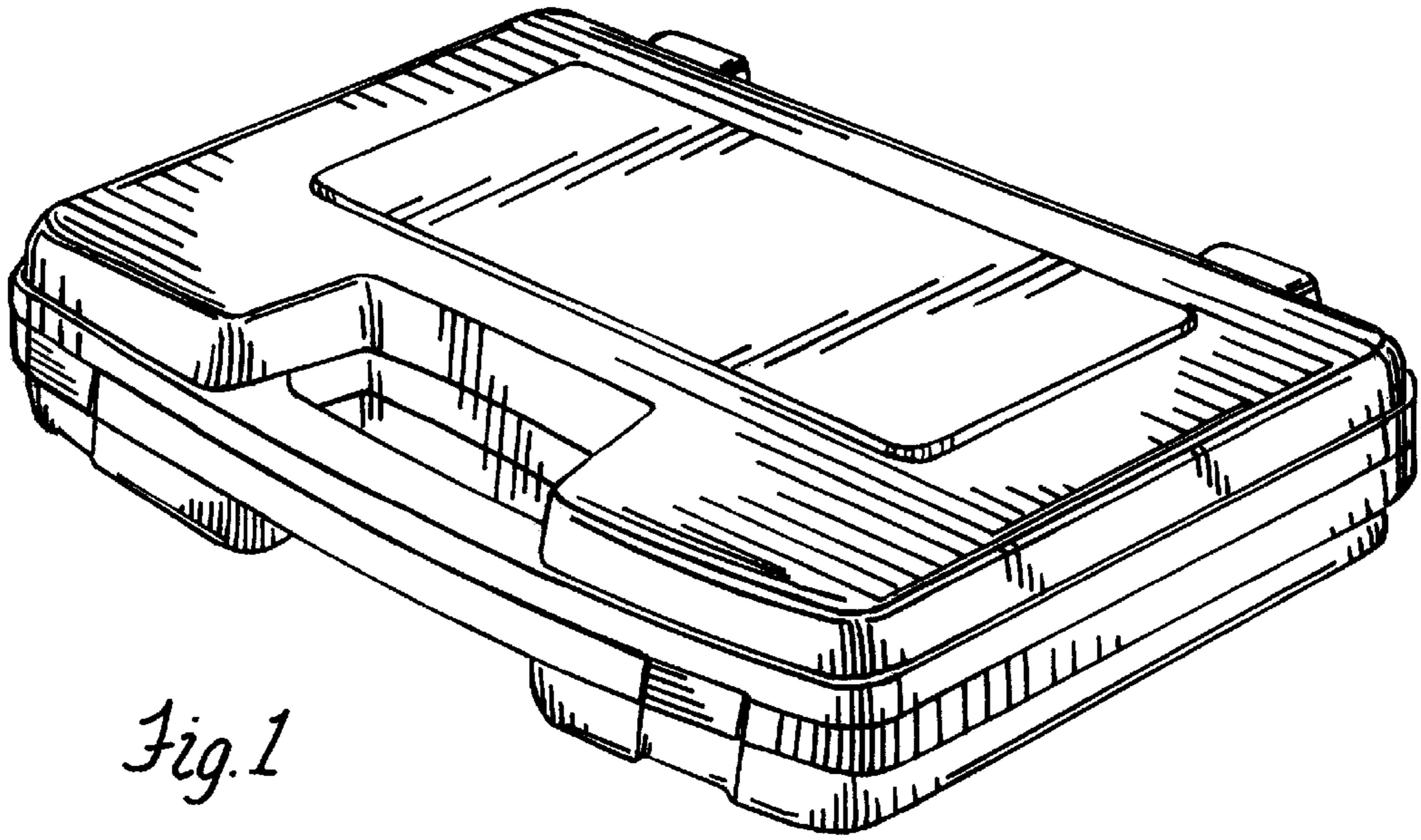
(56) **References Cited**

**U.S. PATENT DOCUMENTS**

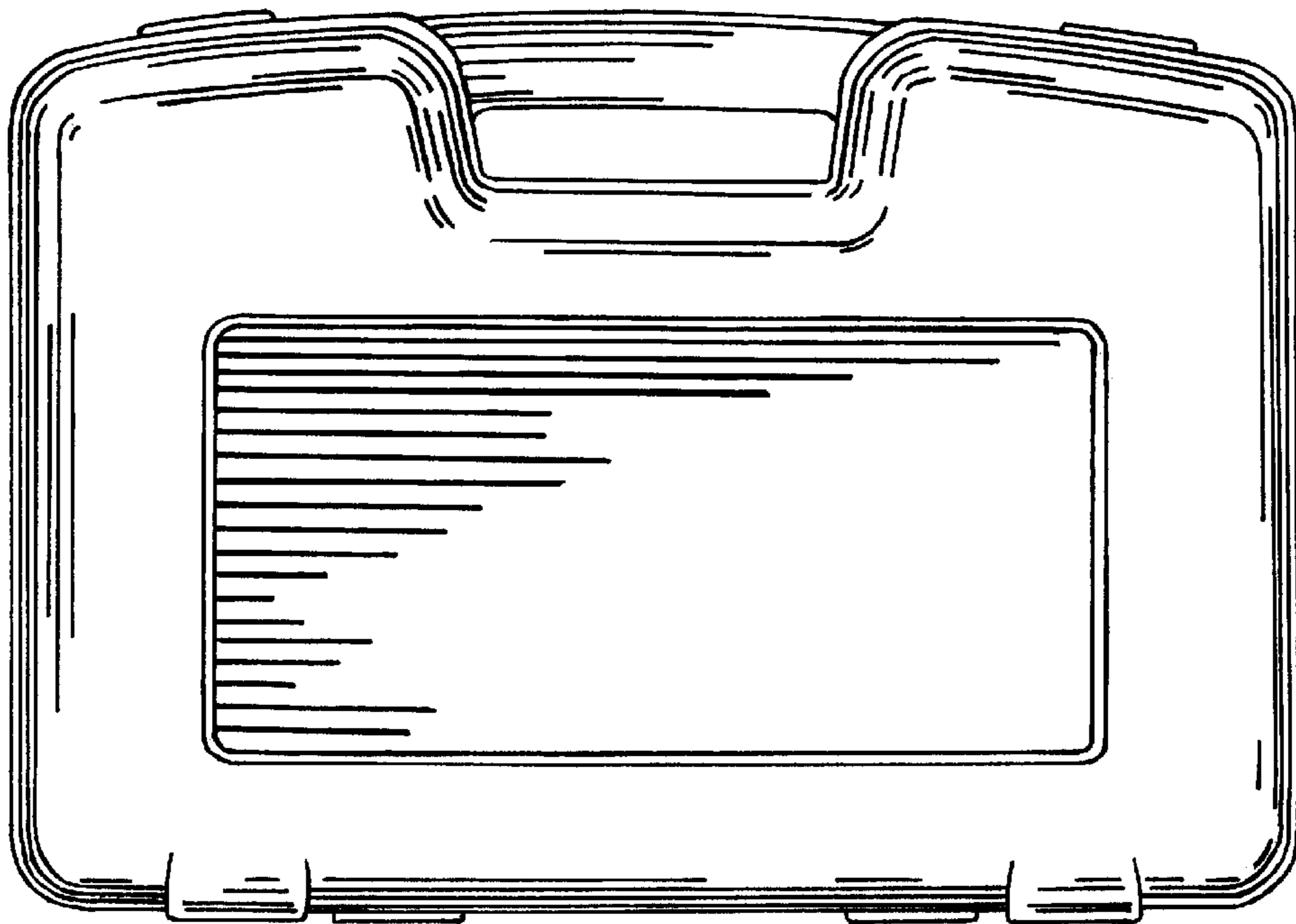
D. 314,669	*	2/1991	Kunimune	.....	D3/282
D. 343,063	*	1/1994	Chen	.....	D3/905
D. 358,257	*	5/1995	Sidabras et al.	.....	D3/282
D. 391,760	*	3/1998	Zeller	.....	D3/276
D. 406,192	*	3/1999	Schurman	.....	D3/282
5,145,064	*	9/1992	Chen	.....	206/373

**1 Claim, 3 Drawing Sheets**

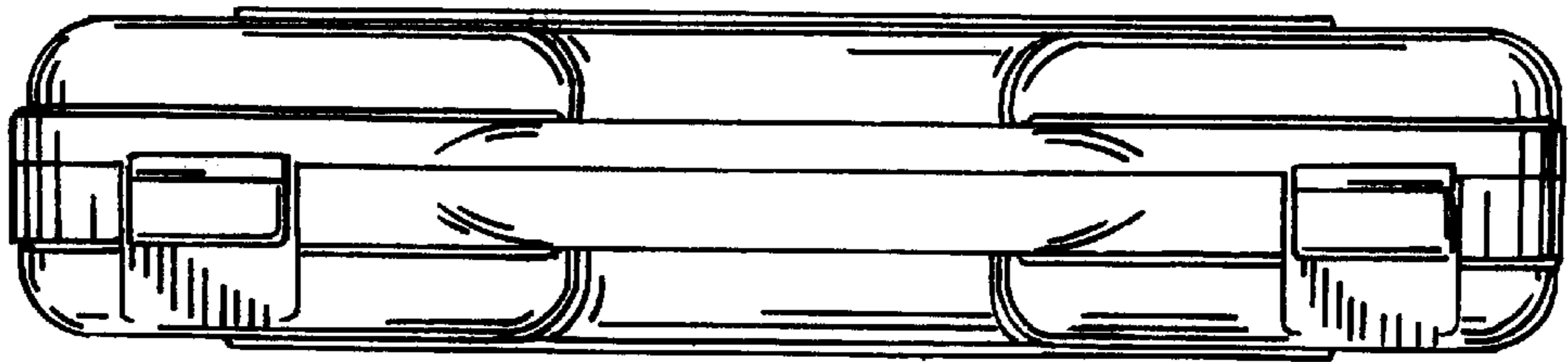




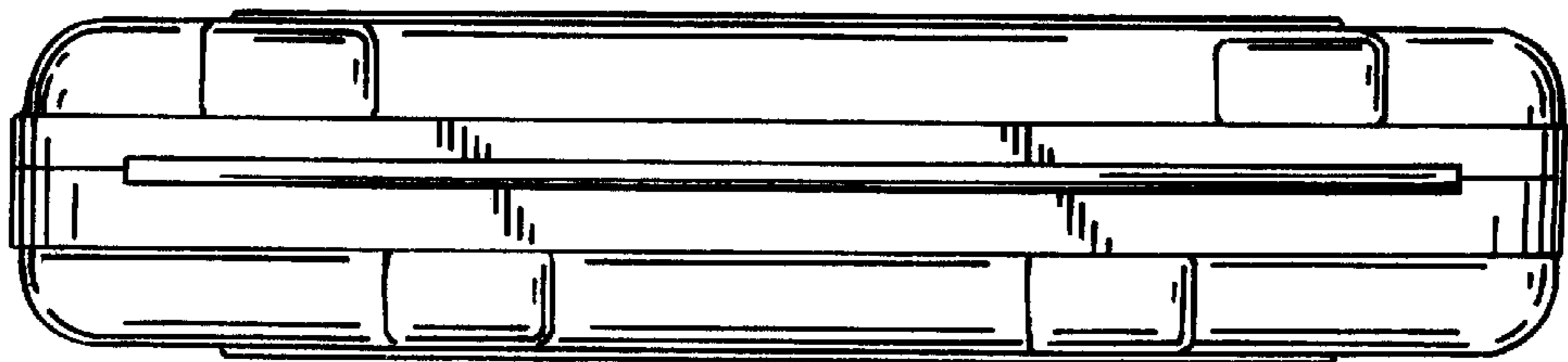
*Fig. 1*



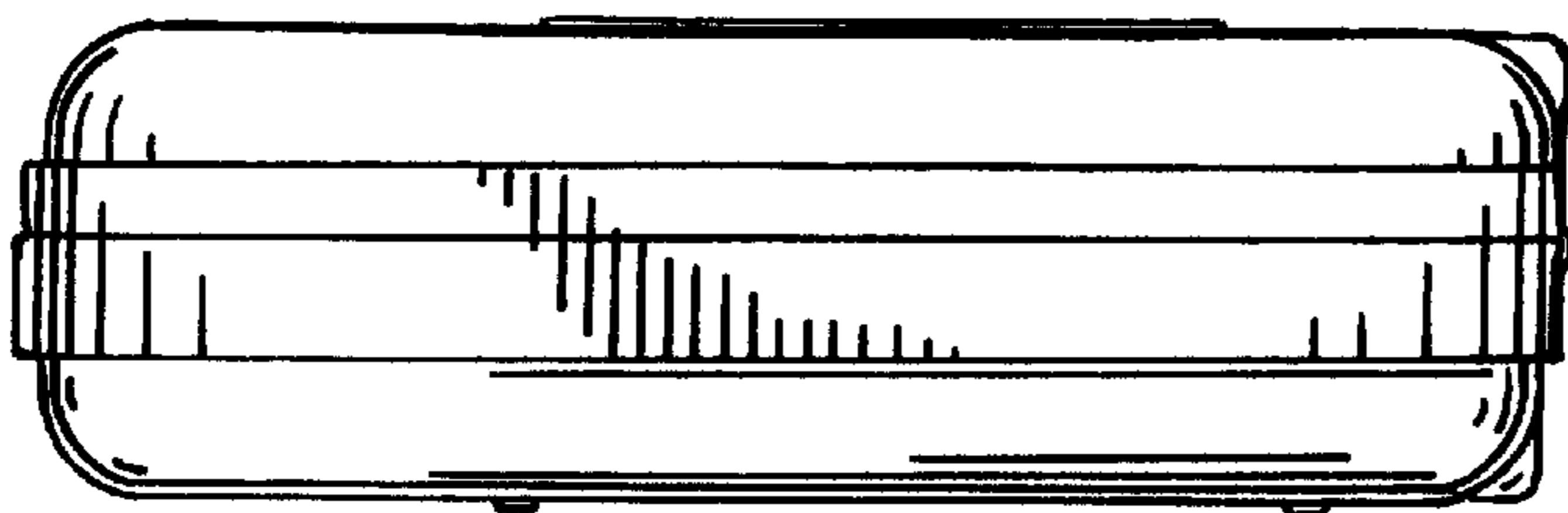
*Fig. 2*



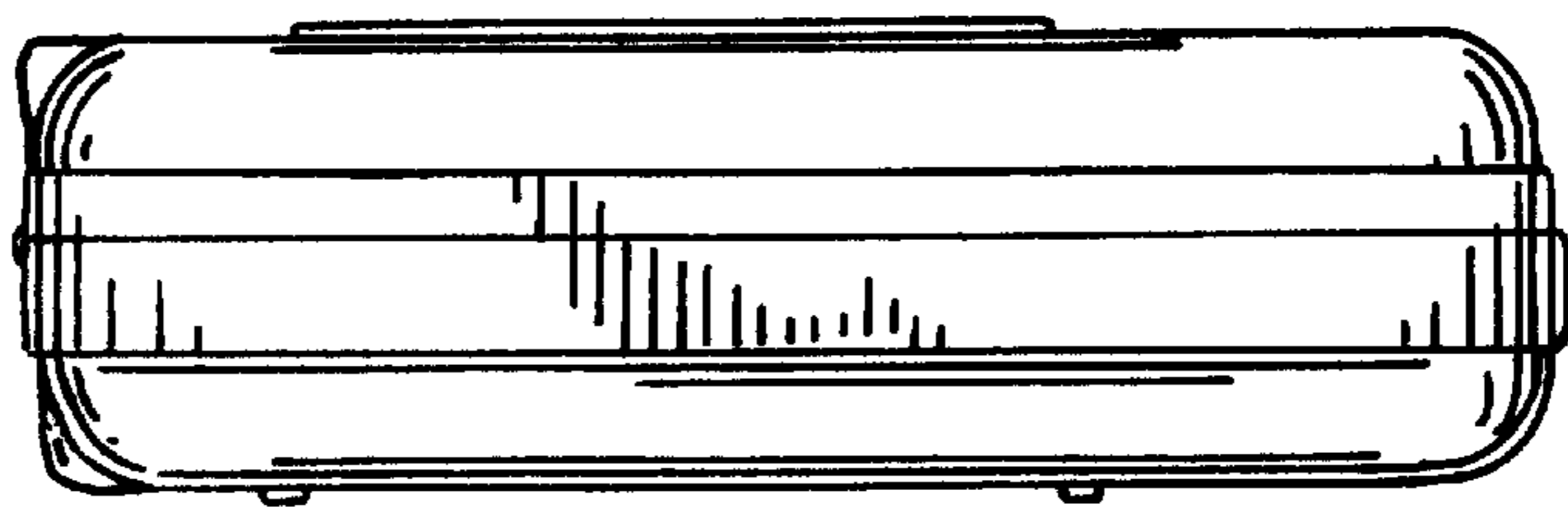
*Fig. 3*



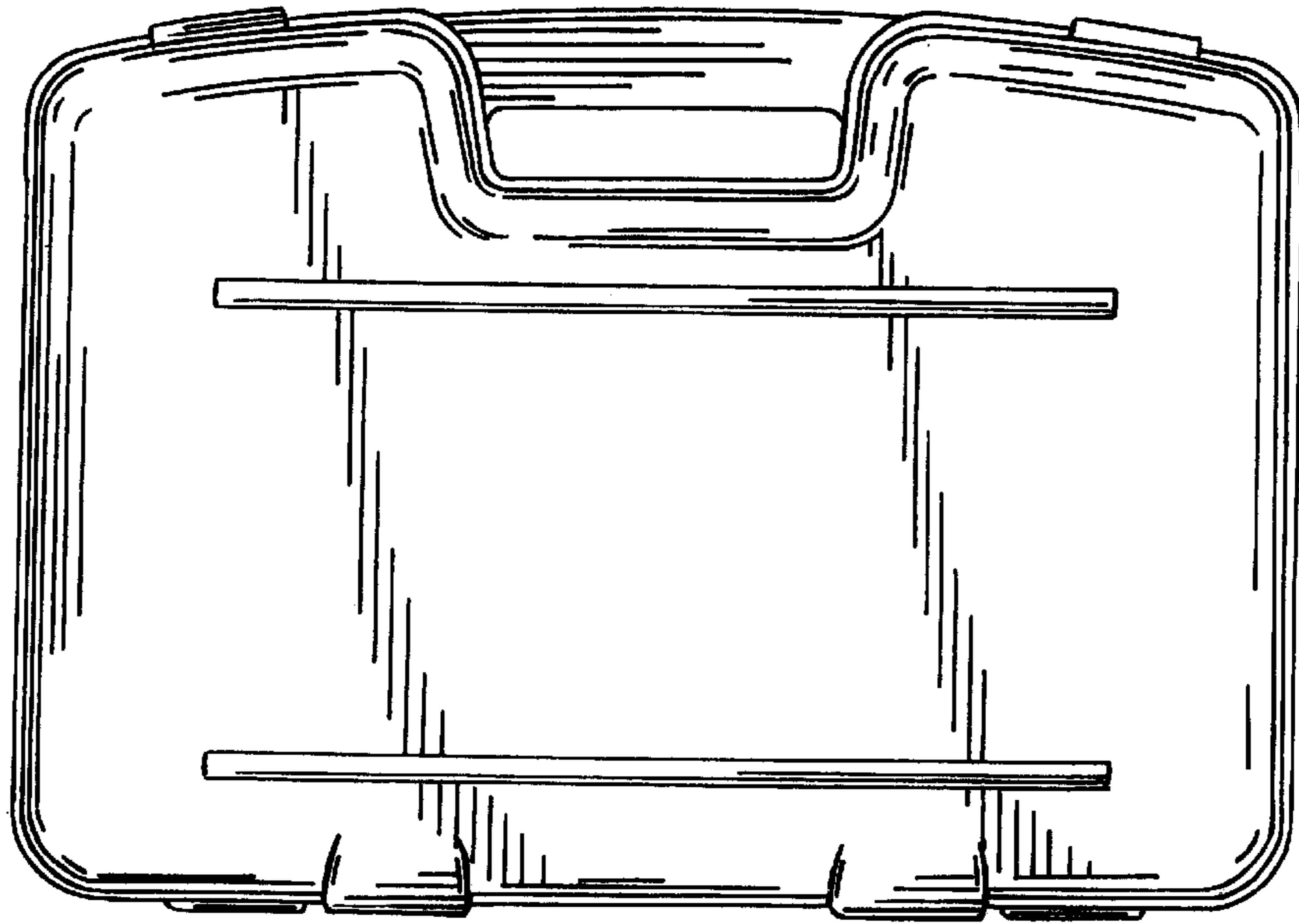
*Fig. 4*



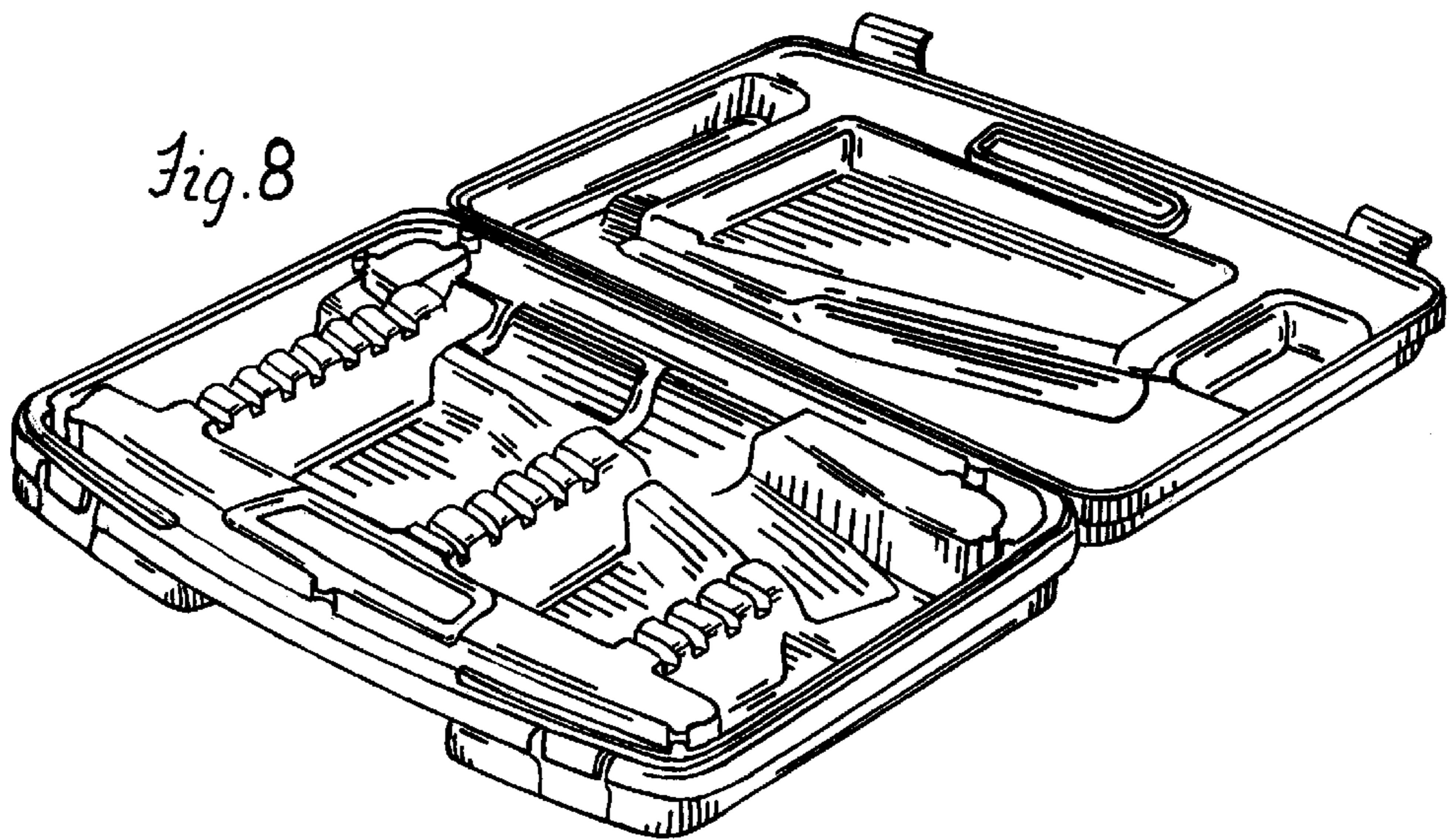
*Fig. 5*



*Fig. 6*



*Fig. 7*



*Fig. 8*

UNITED STATES PATENT AND TRADEMARK OFFICE  
**CERTIFICATE OF CORRECTION**

PATENT NO. : Des 440,043 S  
DATED : April 10, 2001  
INVENTOR(S) : Miller et al.

Page 1 of 1

It is certified that error appears in the above-identified patent and that said Letters Patent is hereby corrected as shown below:

Title page,  
Column 2,  
Item [57], change "I claim" to -- We claim --.

Signed and Sealed this  
Sixth Day of November, 2001

*Attest:*

*Nicholas P. Godici*

*Attesting Officer*

NICHOLAS P. GODICI  
*Acting Director of the United States Patent and Trademark Office*