



US00D440039S

(12) **United States Design Patent**
Bergfeldt

(10) **Patent No.:** **US D440,039 S**

(45) **Date of Patent:** **** Apr. 10, 2001**

(54) **EARPIECE HOLDER**

(75) **Inventor:** **Jonas Bergfeldt, Stockholm (SE)**

(73) **Assignee:** **Telefonaktiebolaget LM Ericsson (Publ.), Stockholm (SE)**

(**) **Term:** **14 Years**

(21) **Appl. No.:** **29/121,130**

(22) **Filed:** **Apr. 4, 2000**

(30) **Foreign Application Priority Data**

Oct. 4, 1999 (SE) 99-1773

(51) **LOC (7) Cl.** **03-01**

(52) **U.S. Cl.** **D3/218**

(58) **Field of Search** D3/218, 215, 228,
D3/201, 294, 295; 224/268, 240, 236, 904;
D14/138, 251, 253; 24/3.1, 3.3, 3.4, 3.6,
3.12, 3.7, 3.13

(56) **References Cited**

U.S. PATENT DOCUMENTS

D. 281,033 * 10/1985 Mohri D3/218

D. 333,560 * 3/1993 Miyashita et al. D3/218
D. 377,266 * 1/1997 Khoo et al. D3/218
D. 389,641 * 1/1998 McCutcheon et al. D3/218
6,065,563 * 5/2000 Stowers D3/203 X

* cited by examiner

Primary Examiner—Louis S. Zarfaz

Assistant Examiner—Catherine R. Oliver

(74) *Attorney, Agent, or Firm*—Burns, Doane, Swecker & Mathis, L.L.P.

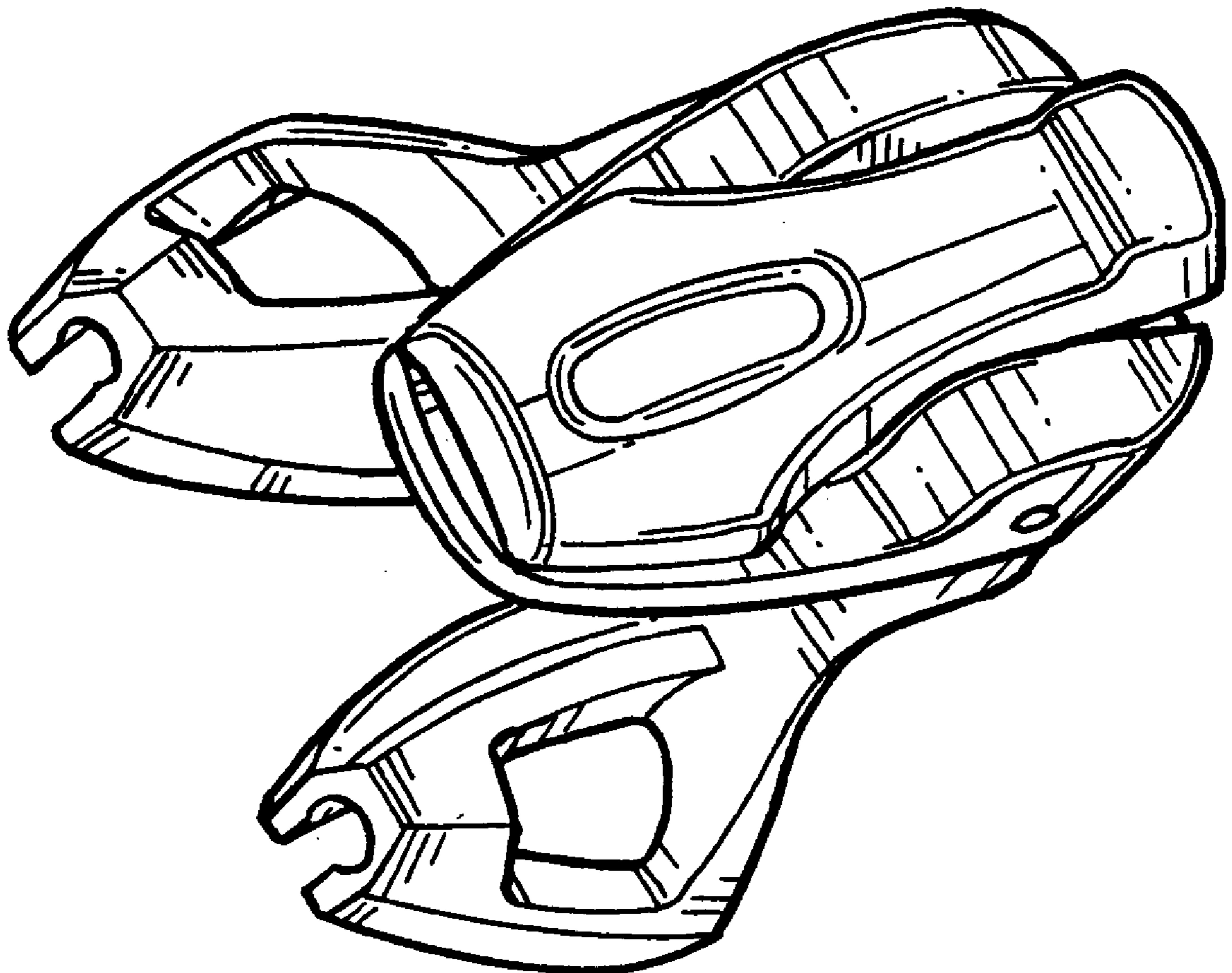
(57) **CLAIM**

The ornamental design for an earpiece holder, as shown and described.

DESCRIPTION

FIG. 1 is a top, front perspective view of an earpiece holder showing my new design;
FIG. 2 is a bottom, front perspective view thereof;
FIG. 3 is a front elevational view thereof;
FIG. 4 is a side elevational view thereof; the other side being a mirror image thereof; and,
FIG. 5 is a rear elevational view thereof, in the inverted position shown in FIG. 2.

1 Claim, 2 Drawing Sheets



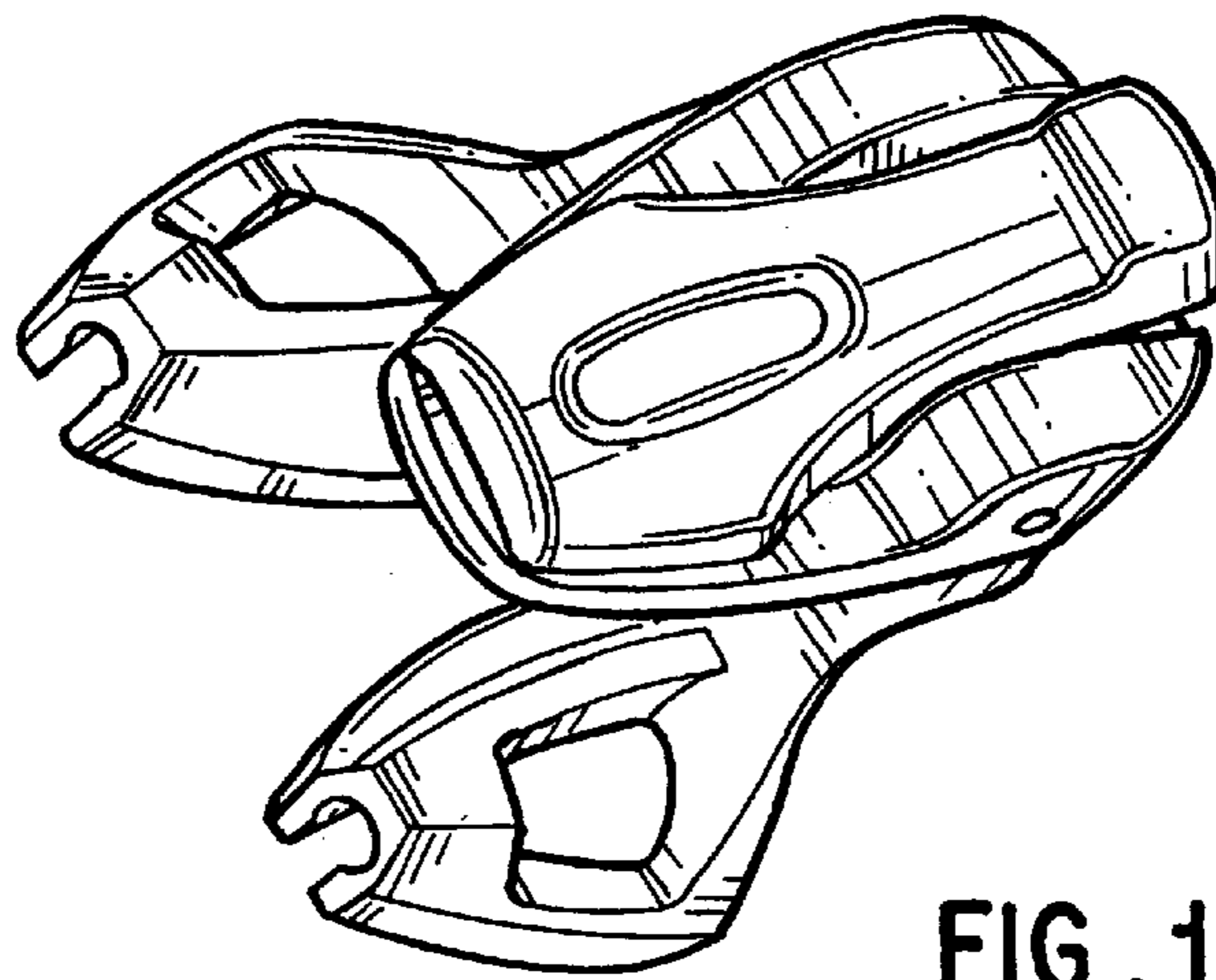


FIG. 1

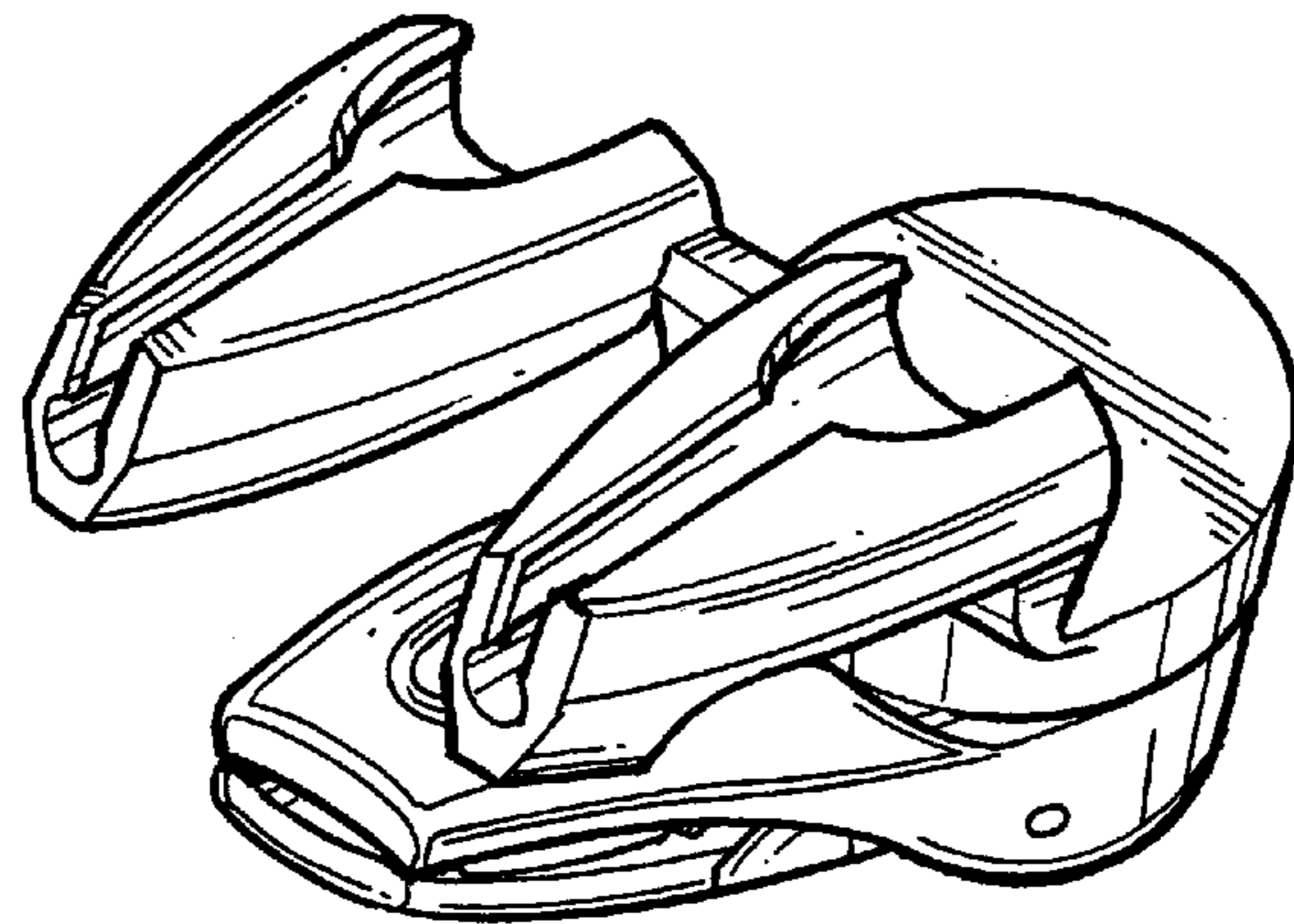


FIG. 2

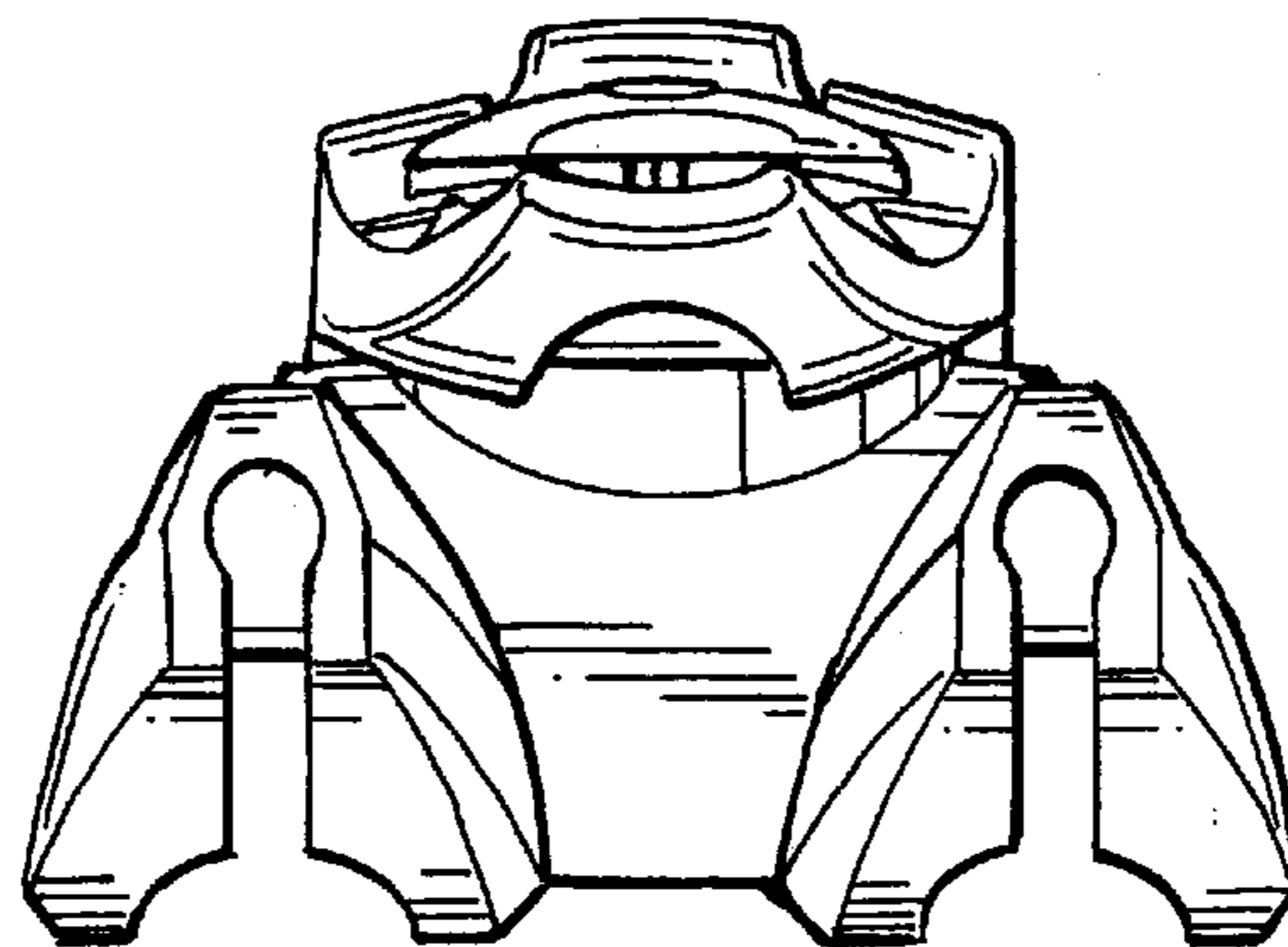


FIG. 3

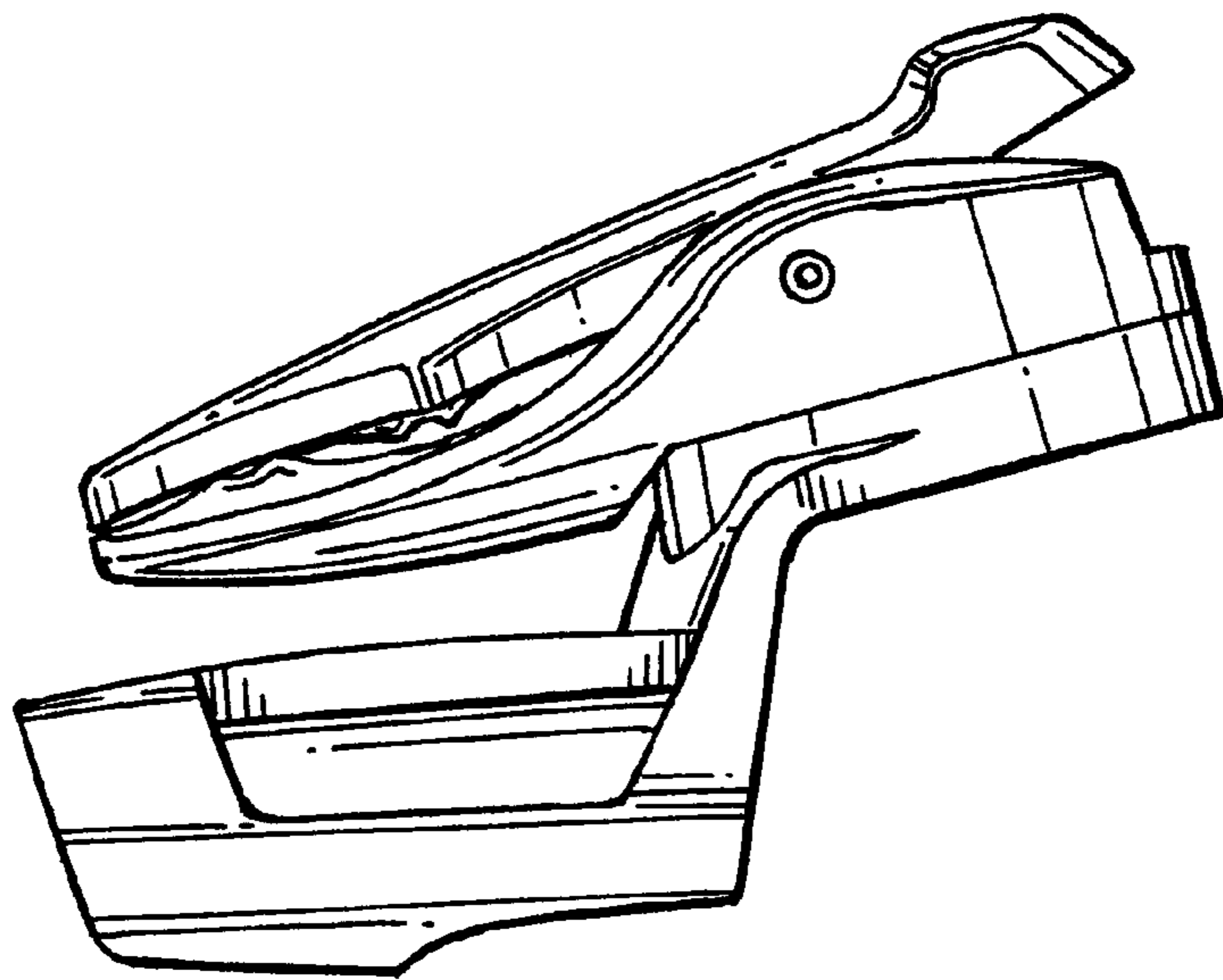


FIG. 4

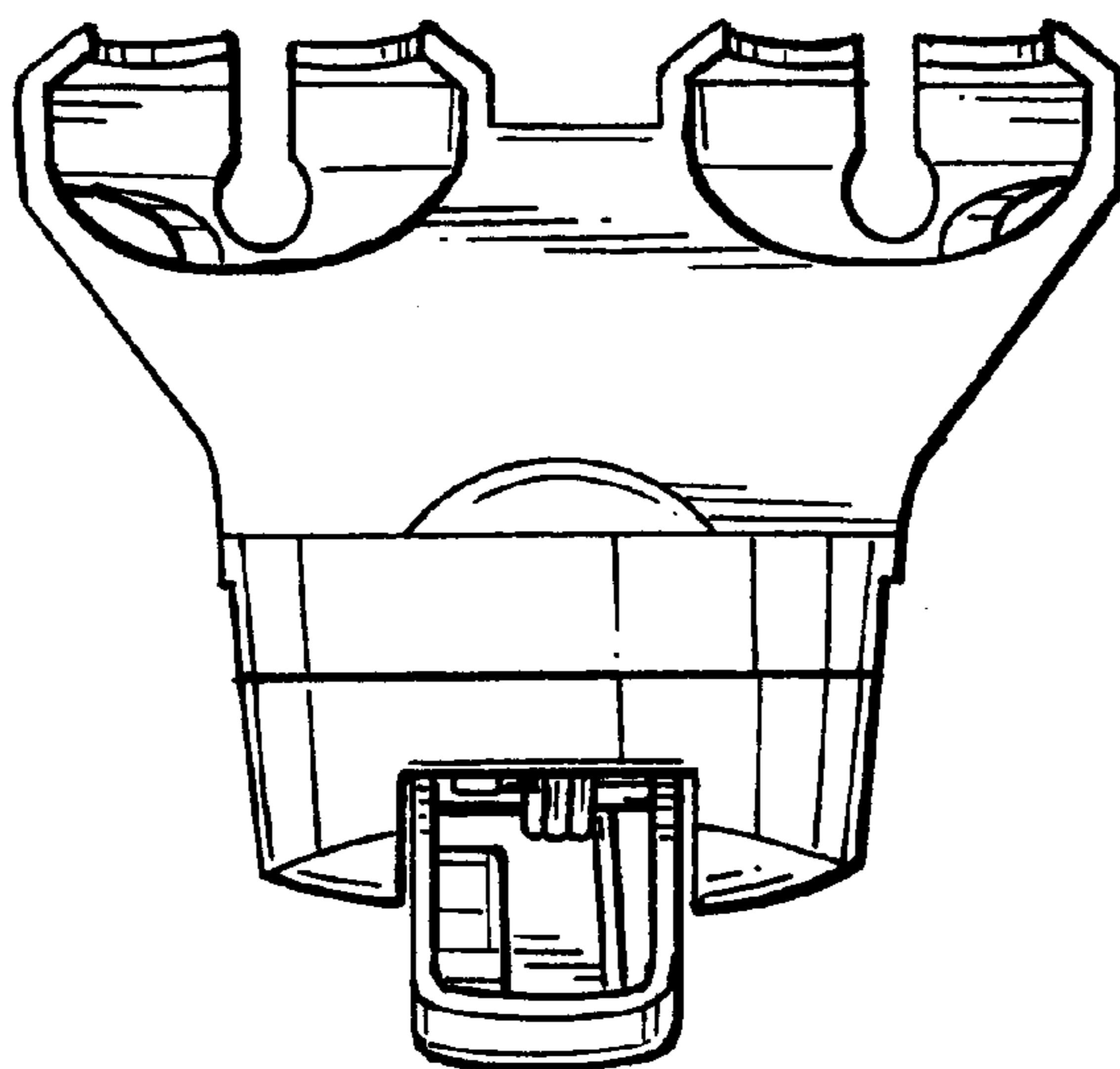


FIG. 5