



US00D440030S

(12) **United States Design Patent**
Revis

(10) **Patent No.:** **US D440,030 S**

(45) **Date of Patent:** **** Apr. 10, 2001**

(54) **SHOELACE KNOT COVER FOR WRESTLING FOOTWEAR**

1,853,909 * 4/1932 Kedrick 2/239
2,501,903 * 3/1950 Huggins 2/224 R

(76) Inventor: **Scott M. Revis**, 8333 NE. Russell,
Portland, OR (US) 97220

* cited by examiner

(**) Term: **14 Years**

Primary Examiner—Paula A. Mortimer
(74) *Attorney, Agent, or Firm*—Ipsolon llp

(21) Appl. No.: **29/112,850**

(57) **CLAIM**

(22) Filed: **Oct. 21, 1999**

An ornamental design for a shoelace knot cover for wrestling footwear, as shown and described.

(51) **LOC (7) Cl.** **02-04**

DESCRIPTION

(52) **U.S. Cl.** **D2/901**

(58) **Field of Search** D2/901, 980; 2/239,
2/242, 233, 22; 36/1.5, 2 R, 2 B, 132; 602/27,
65; D29/120.1, 121.1

FIG. 1 is a left side elevation view showing a preferred embodiment of a shoelace knot cover for wrestling footwear of the present invention located on an environment of a wrestling shoe that is shown in dashed lines, a right side elevation view being a mirror image of the left side elevation view;

(56) **References Cited**

U.S. PATENT DOCUMENTS

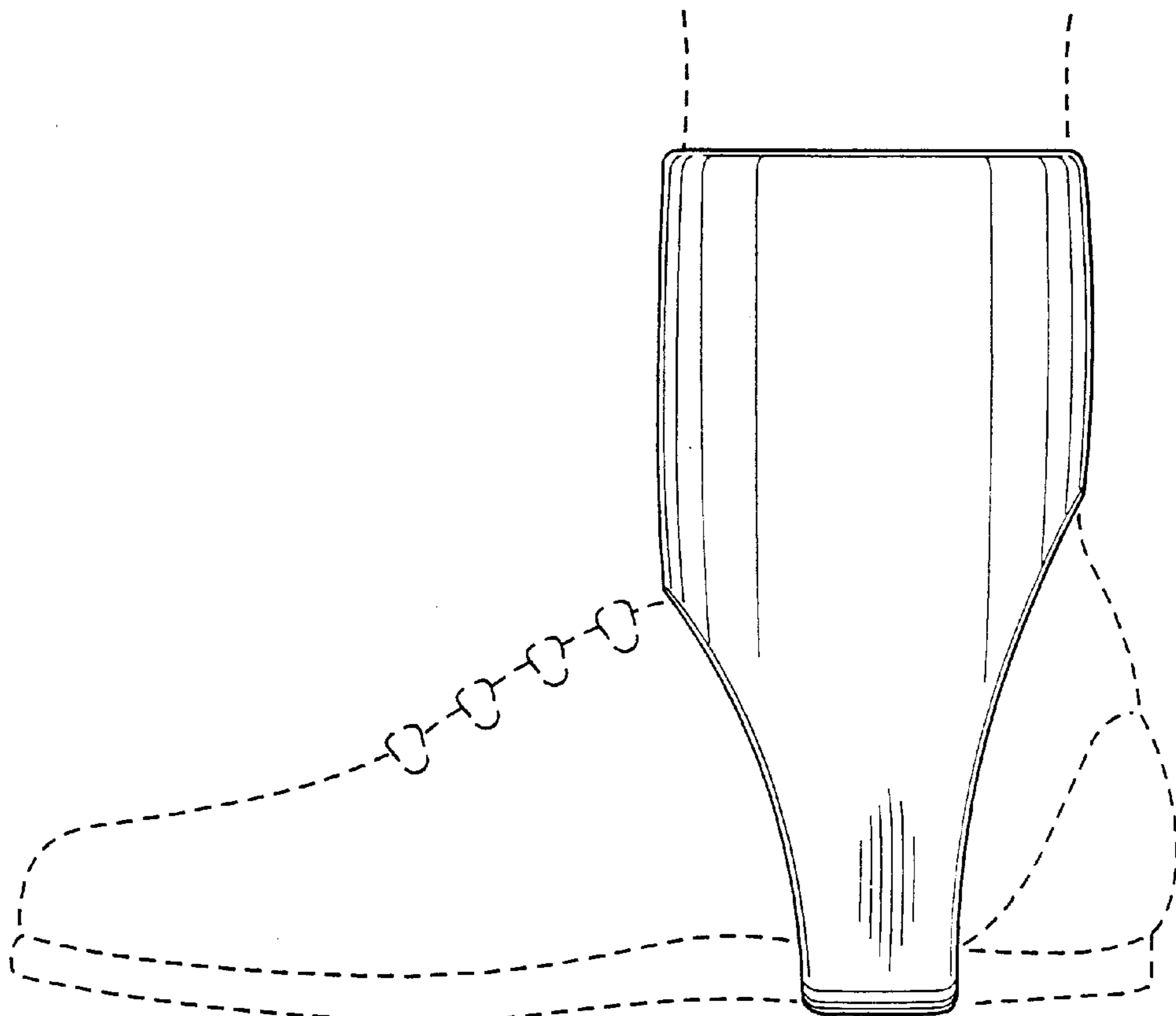
- D. 357,345 * 4/1995 Cheatwood et al. D2/901
- 361,042 * 4/1887 Bennett 2/239
- 363,516 * 5/1887 Hackey 2/239
- D. 386,297 * 11/1997 Minnick et al. D2/980
- 858,006 * 6/1907 Lum 2/239
- 1,227,217 * 5/1917 Taylor 2/239

FIG. 2 is a front elevation view of the shoelace knot cover for wrestling footwear of FIG. 1; and,

FIG. 3 is a rear elevation view of the shoelace knot cover for wrestling footwear of FIG. 1.

The broken lines of FIG. 1 represent an environment of a wrestling shoe on which the present invention may be deployed and does not form of a part of the present invention.

1 Claim, 1 Drawing Sheet



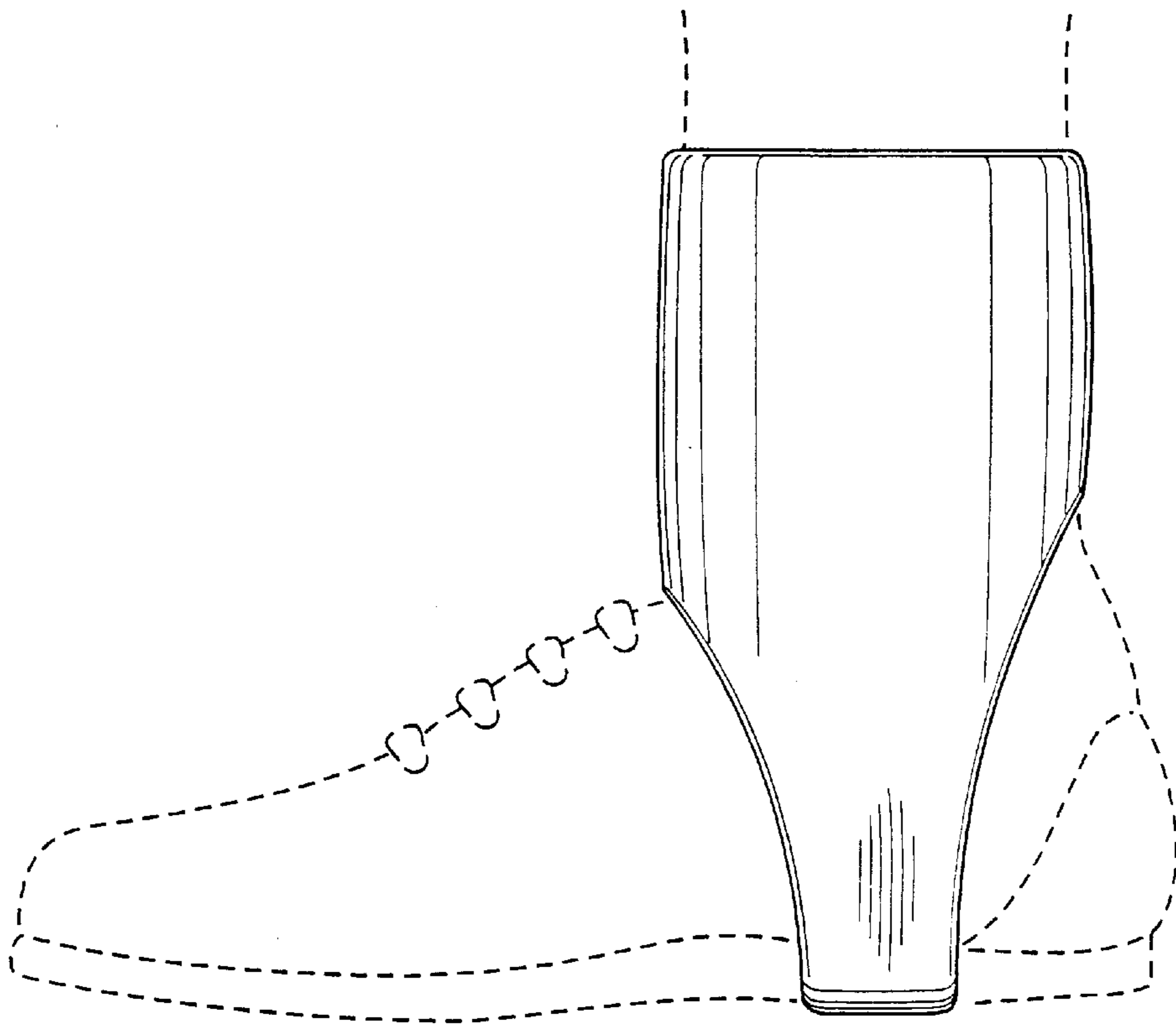


FIG. 1

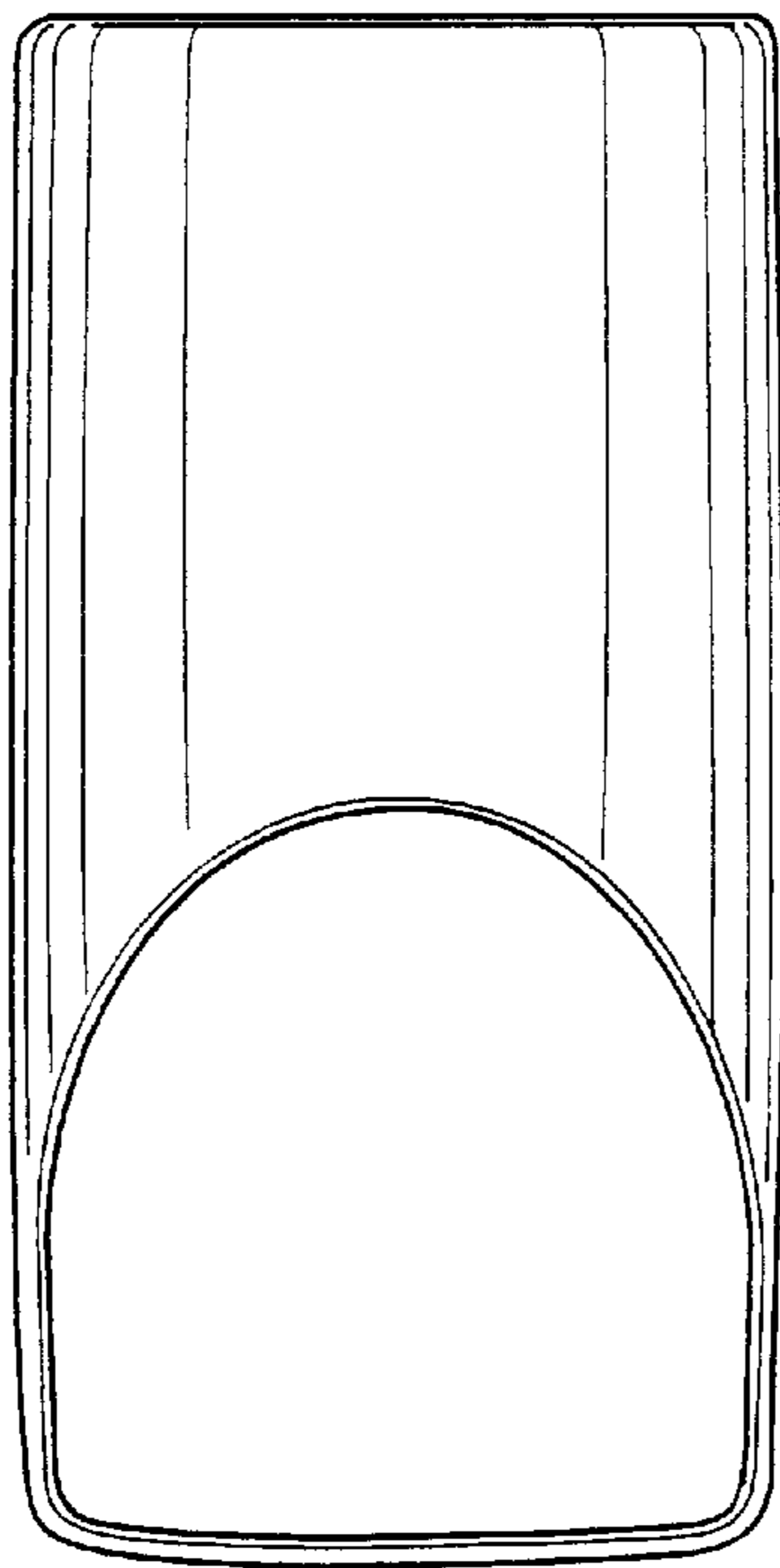


FIG. 2

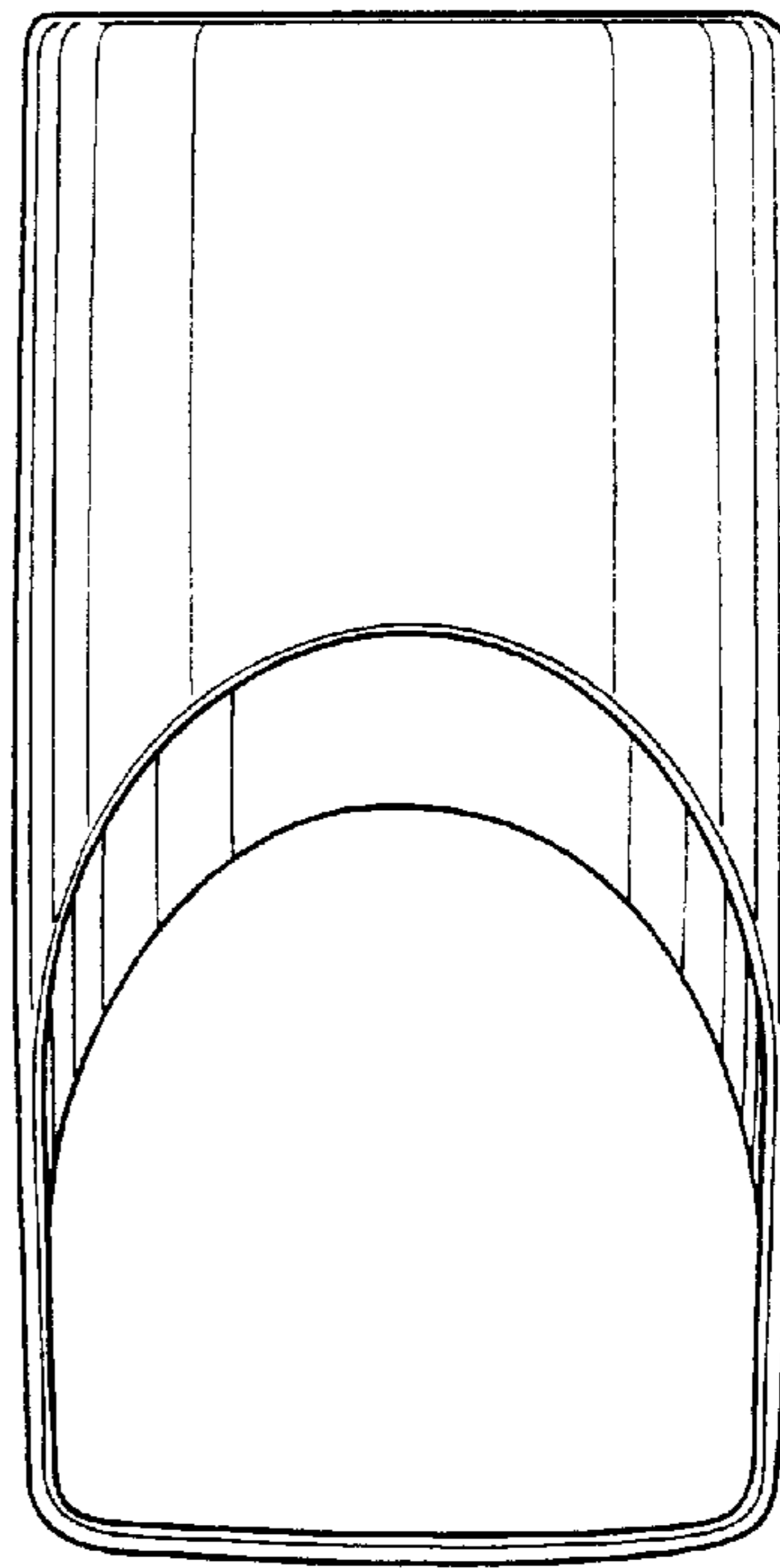


FIG. 3