



US00D440026S

(12) **United States Design Patent**  
**Barney**

(10) **Patent No.:** **US D440,026 S**

(45) **Date of Patent:** **\*\* Apr. 3, 2001**

(54) **RACE CAR MAILBOX**

(76) **Inventor:** **Jerry D. Barney**, 1087 SR 588,  
Gallipolis, OH (US) 45631

(\*\*) **Term:** **14 Years**

(21) **Appl. No.:** **29/125,509**

(22) **Filed:** **Jun. 26, 2000**

(51) **LOC (7) Cl.** ..... **99-00**

(52) **U.S. Cl.** ..... **D99/30**

(58) **Field of Search** ..... D99/29, 30, 31,  
D99/32, 42; 232/19, 20, 27, 39; 446/446;  
D21/424, 433, 548, 549; D14/403; D12/86,  
90, 91, 92

(56) **References Cited**

**U.S. PATENT DOCUMENTS**

D. 346,266	4/1994	Tingler .	
D. 347,927	6/1994	Martin .	
D. 371,888	7/1996	Tingler .	
D. 393,304	* 4/1998	Yeh .....	D21/548
D. 404,027	* 1/1999	Bush .....	D14/403
D. 411,906	7/1999	Ely et al. .	
D. 413,422	8/1999	Colbert .	
D. 415,800	* 10/1999	Norton .....	D21/549
D. 417,058	* 11/1999	Royal et al. ....	D99/30

D. 418,272	* 12/1999	Hiott .....	D99/30
D. 419,207	* 1/2000	Lieberman .....	D21/549
D. 422,942	* 4/2000	Giugiard .....	D12/92
D. 426,934	* 6/2000	Powell et al. ....	D99/30

\* cited by examiner

*Primary Examiner*—Paula A. Mortimer

(74) *Attorney, Agent, or Firm*—Richard C. Litman

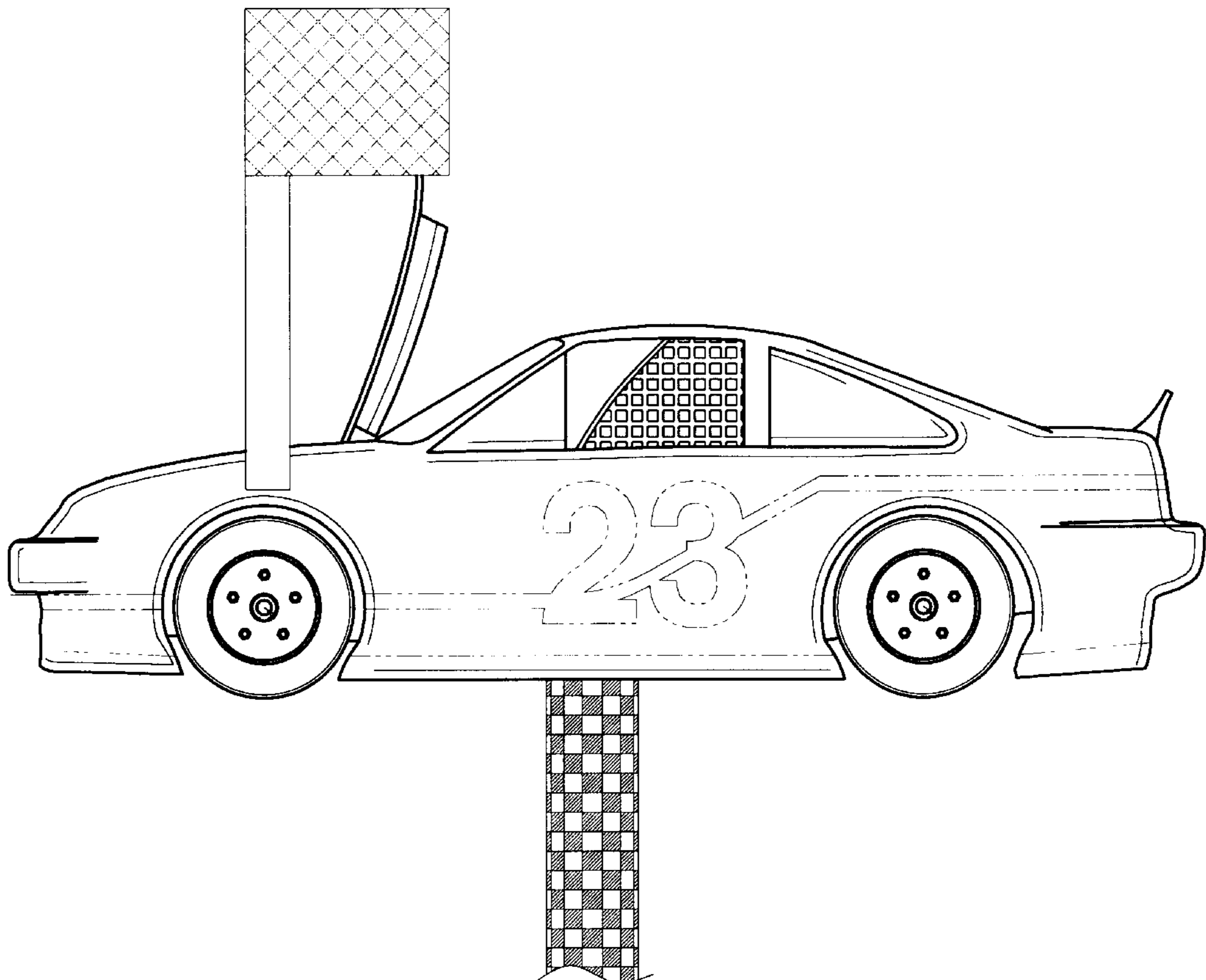
(57) **CLAIM**

The ornamental design for a race car mailbox, as shown and described.

**DESCRIPTION**

FIG. 1 is a front elevational view of a race car mailbox showing my new design;  
 FIG. 2 is a rear elevational view thereof;  
 FIG. 3 is a top plan view thereof;  
 FIG. 4 is a left side elevational view thereof;  
 FIG. 5 is a right side elevational view thereof; and,  
 FIG. 6 is a right side elevational view thereof with the flag up and the mailbox door open.  
 The broken line showing of indicia in FIGS. 3–6 is for illustrative purposes only and forms no part of the claimed design.

**1 Claim, 5 Drawing Sheets**



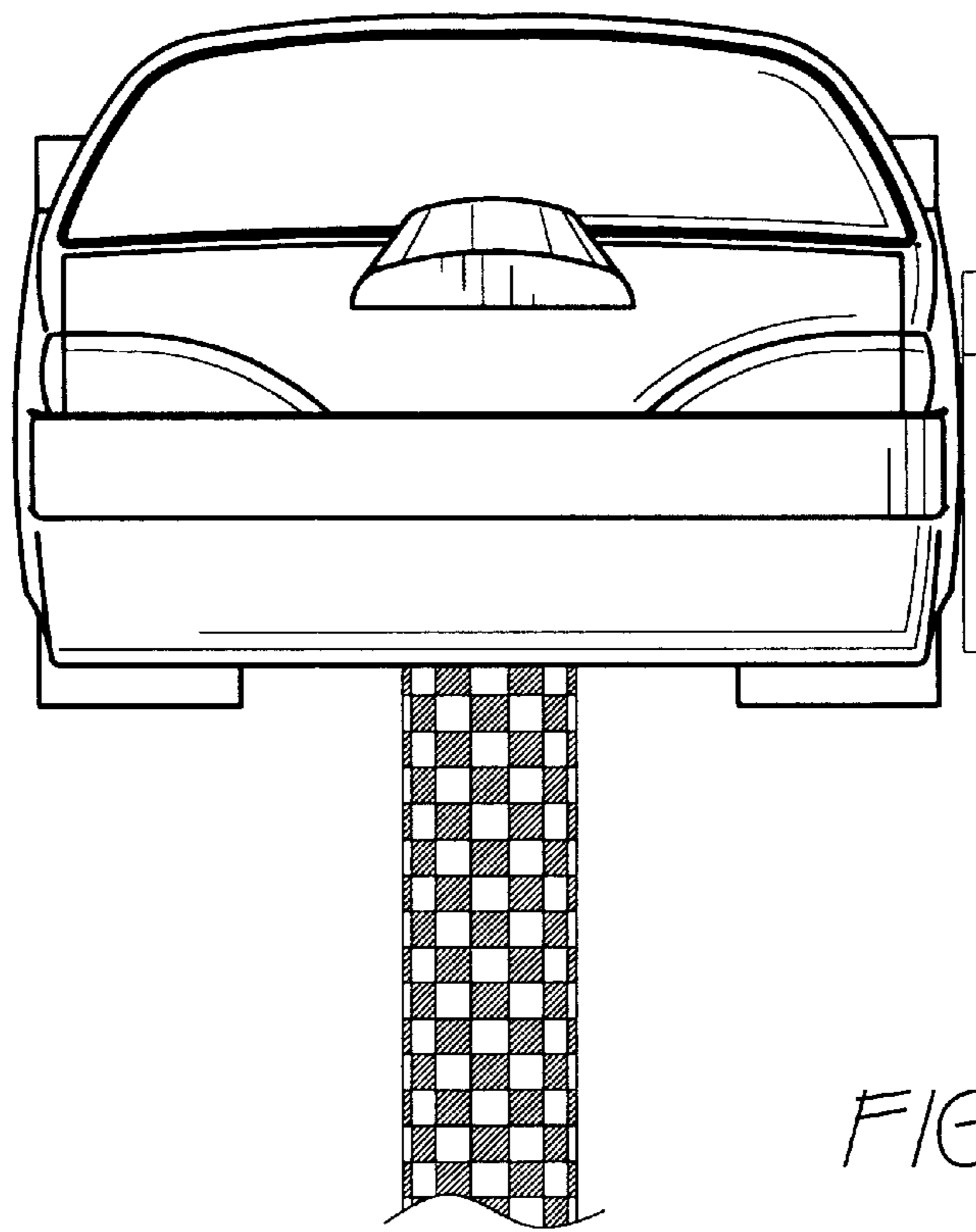


FIG. 1

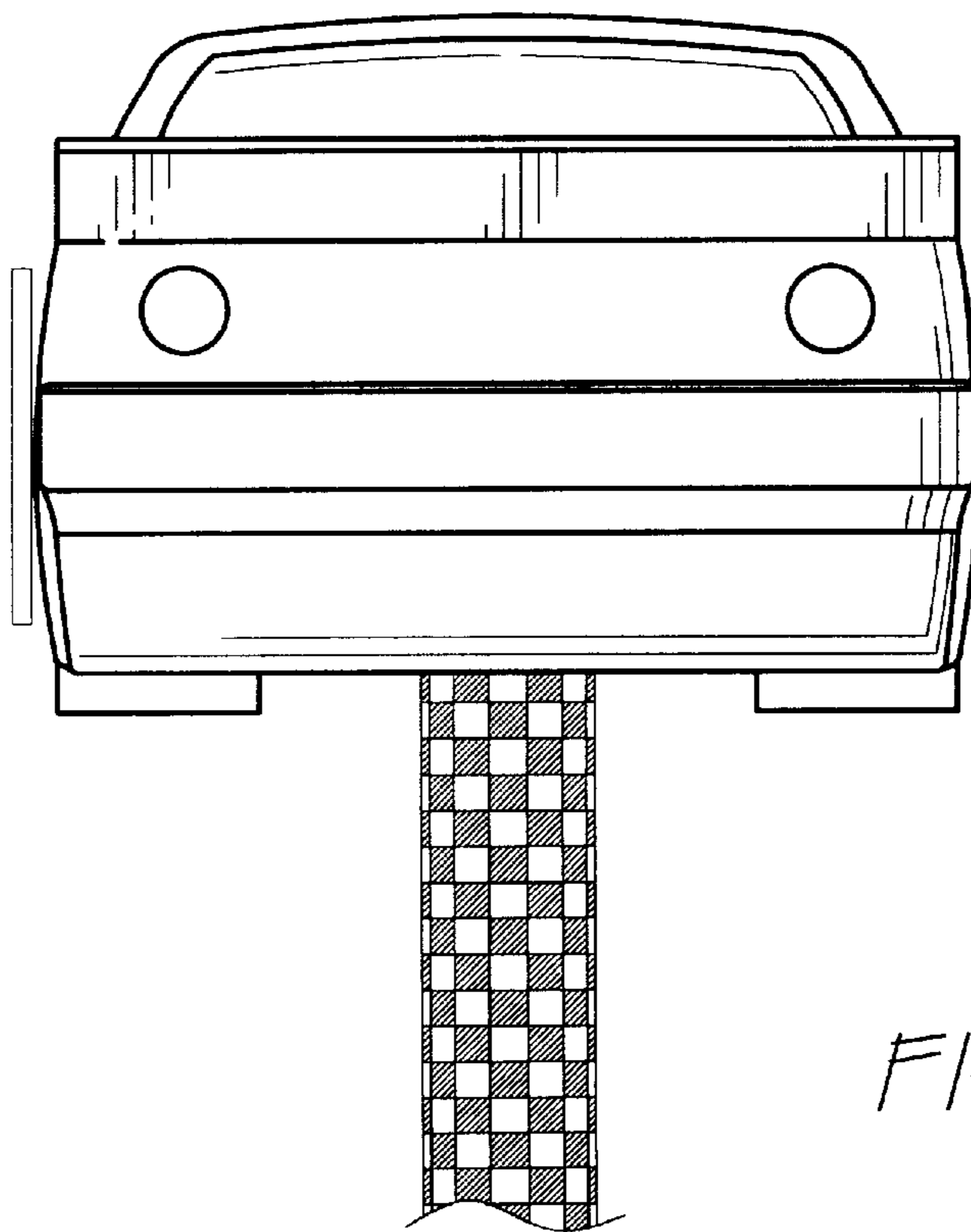


FIG. 2

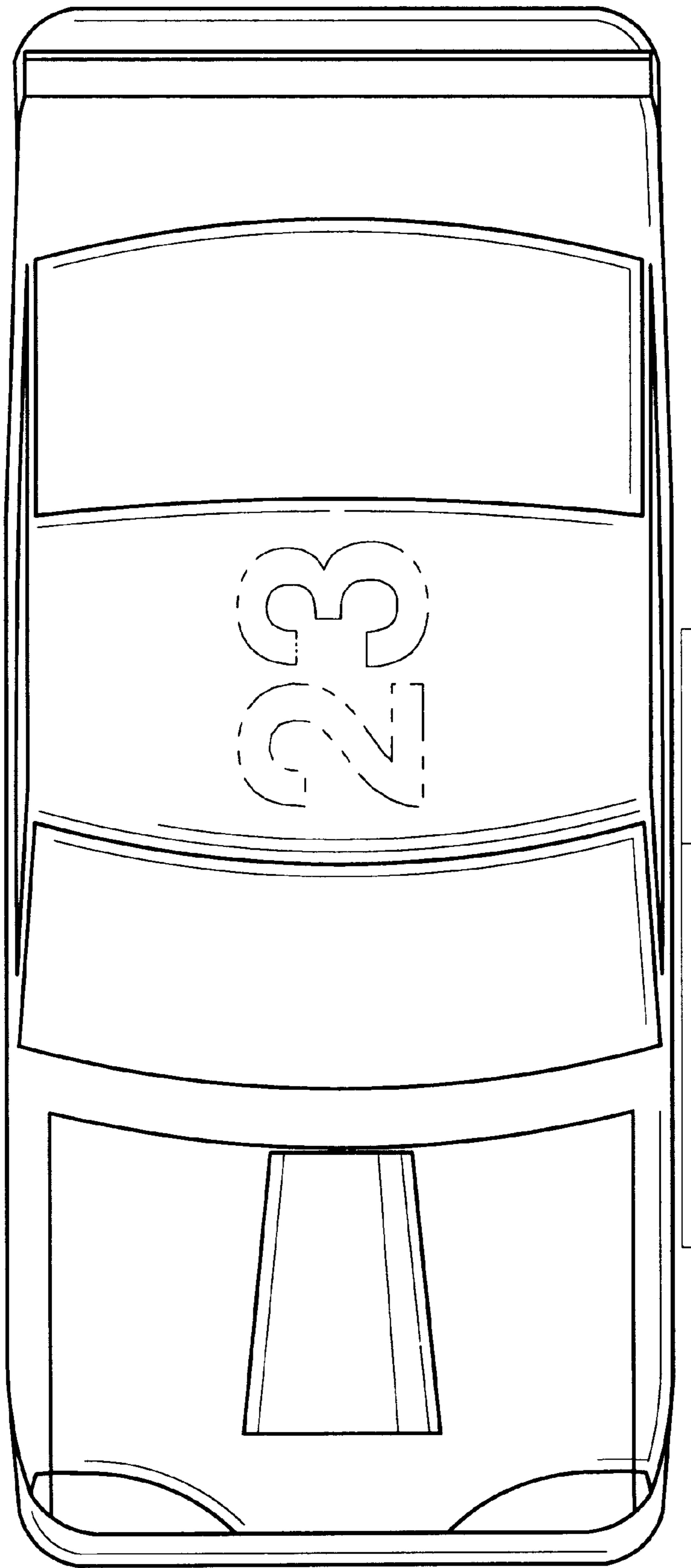


FIG. 3

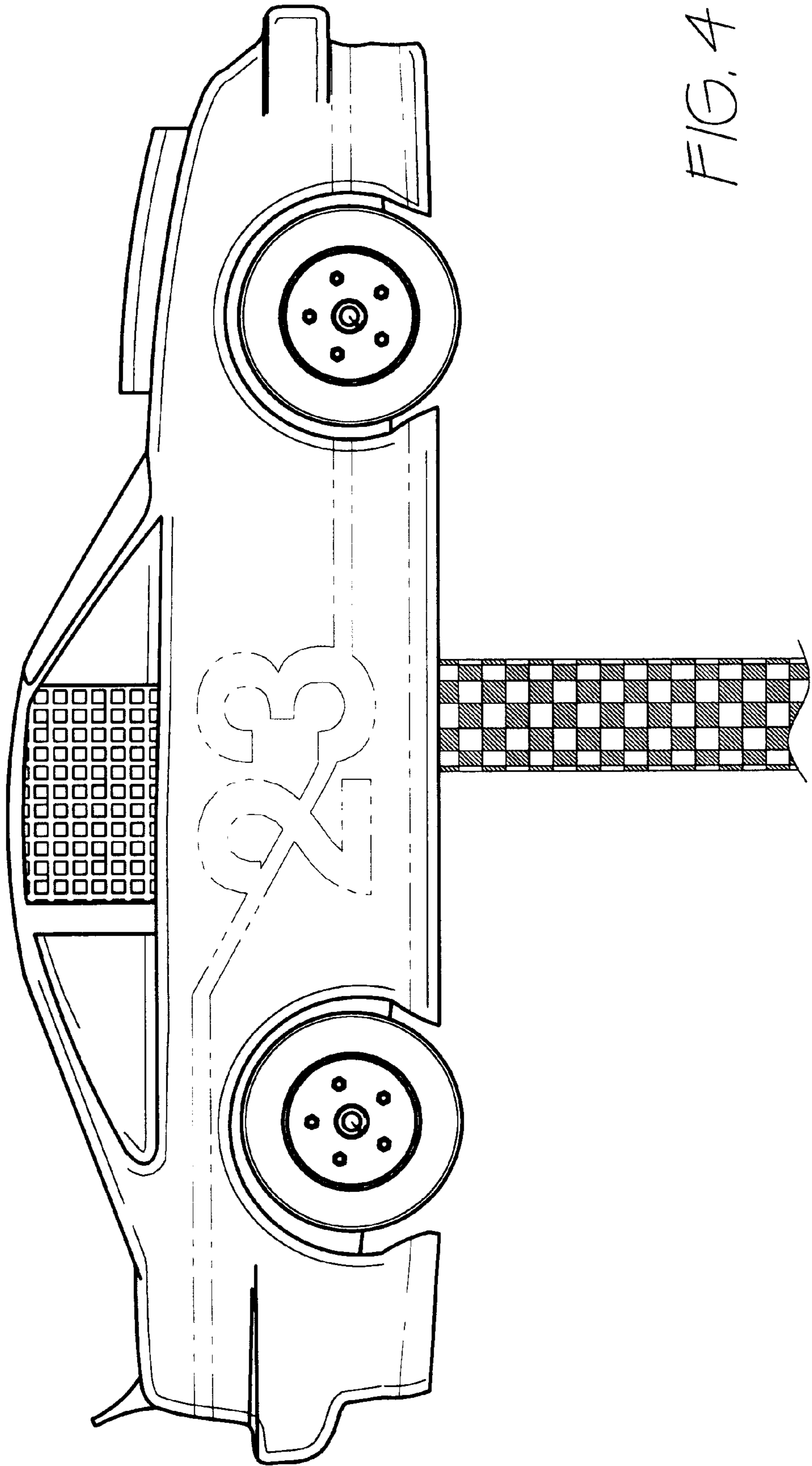


FIG. 4

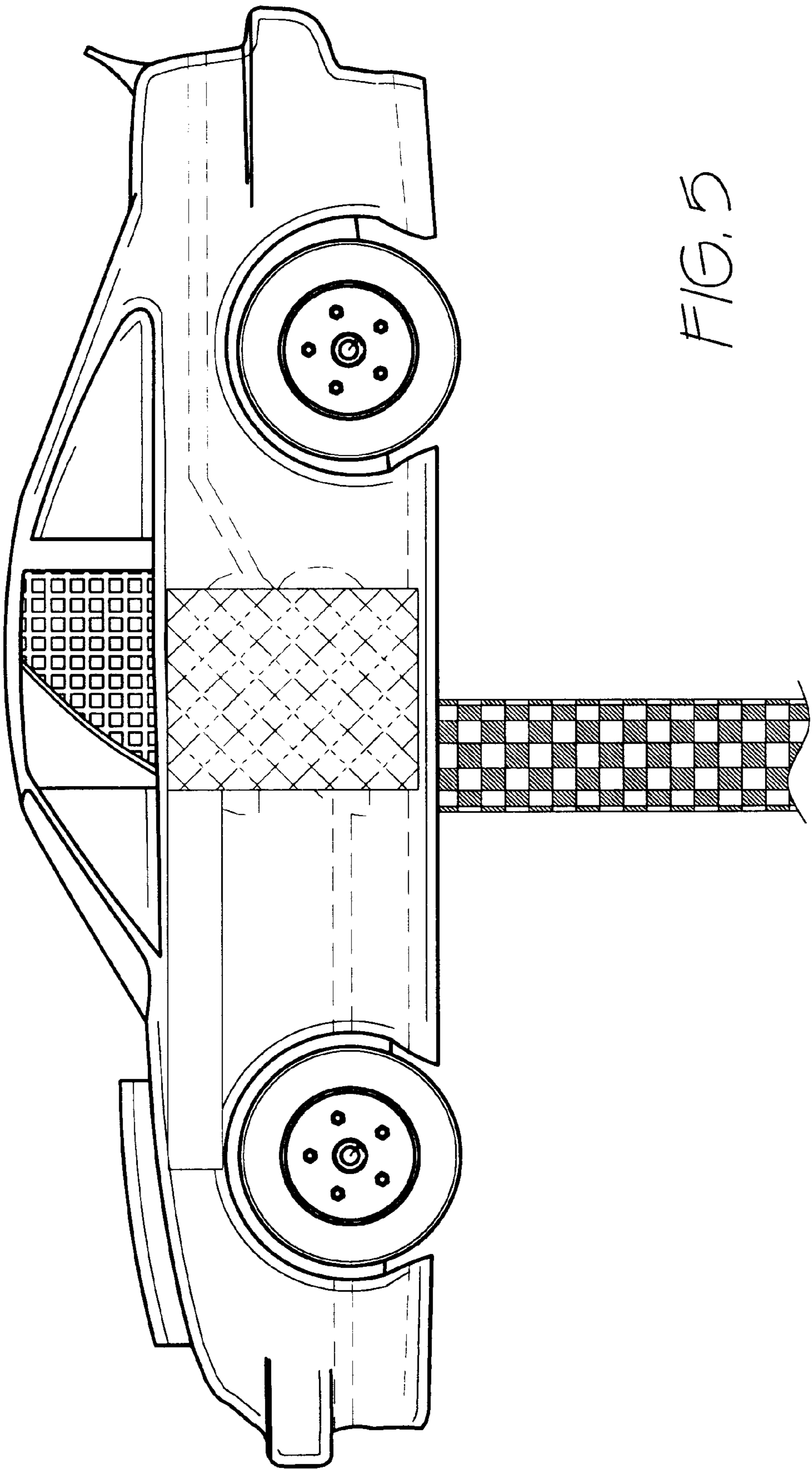


FIG. 5

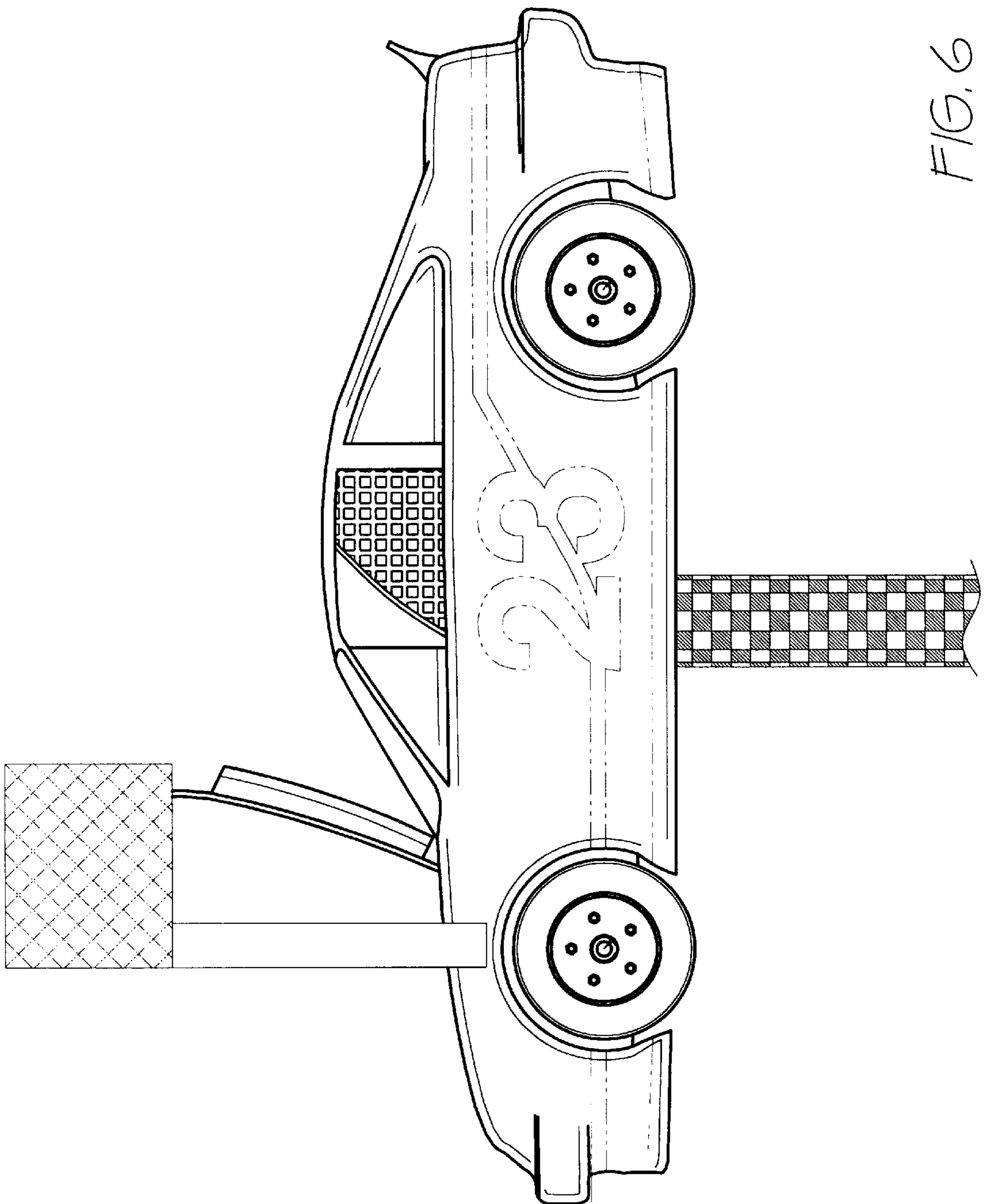


FIG. 6