



US00D440021S

(12) **United States Design Patent**  
**Polidoros**

(10) **Patent No.:** **US D440,021 S**

(45) **Date of Patent:** **\*\* Apr. 3, 2001**

(54) **BASE FOR FOLDING SERVICE TROLLEY**

(75) Inventor: **Nicholas Polidoros**, Mont Albert (AU)

(73) Assignee: **International Hospitality Systems Pty Ltd**, Victoria (AU)

(\*\*) Term: **14 Years**

(21) Appl. No.: **29/105,185**

(22) Filed: **May 18, 1999**

(51) **LOC (7) Cl.** ..... **12-02**

(52) **U.S. Cl.** ..... **D34/17; D34/12**

(58) **Field of Search** ..... **D34/12-27; 211/133.1, 211/126.2, 181.1, 128.1, 150; 280/79.11, 79.3, 79.4, 47.2, 47.26, 42**

(56) **References Cited**

**U.S. PATENT DOCUMENTS**

- D. 252,388 \* 7/1979 Fjello-Jansen ..... D34/17
- 5,125,520 \* 6/1992 Kawasaki ..... 211/133.1
- 5,806,864 \* 9/1998 Zielinski et al. .... 280/42
- 5,879,021 \* 3/1999 Papendick ..... 280/638

\* cited by examiner

*Primary Examiner*—Kay H. Chin

(74) *Attorney, Agent, or Firm*—Samuels, Gauthier & Stevens, LLP

(57) **CLAIM**

The ornamental design for a base for folding service trolley, as shown and described.

**DESCRIPTION**

FIG. 1 is a perspective view of the trolley base in the erected condition.

FIG. 2 is a perspective view of the trolley base in the partly folded condition.

FIG. 3 is a perspective view of the trolley base in the fully folded condition.

FIG. 4 is a plan view of the trolley base in erected condition.

FIG. 5 is a front view of the trolley base in erected condition.

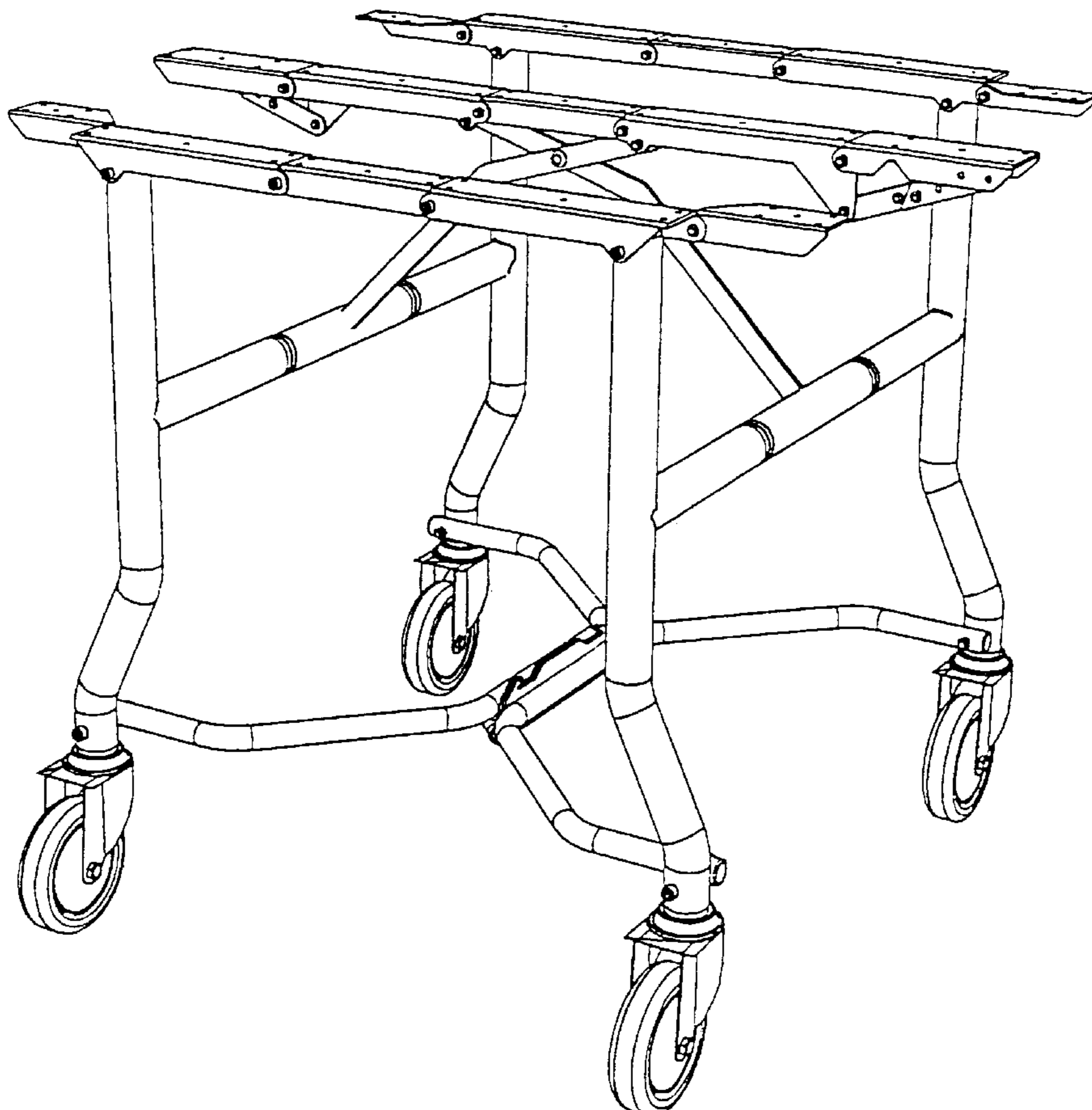
FIG. 6 is a rear view of the trolley base in erected condition.

FIG. 7 is an underside view of the trolley base in erected condition.

FIG. 8 is a left side view of the trolley base in erected condition; and,

FIG. 9 is a right side view of the trolley base in erected condition.

**1 Claim, 7 Drawing Sheets**



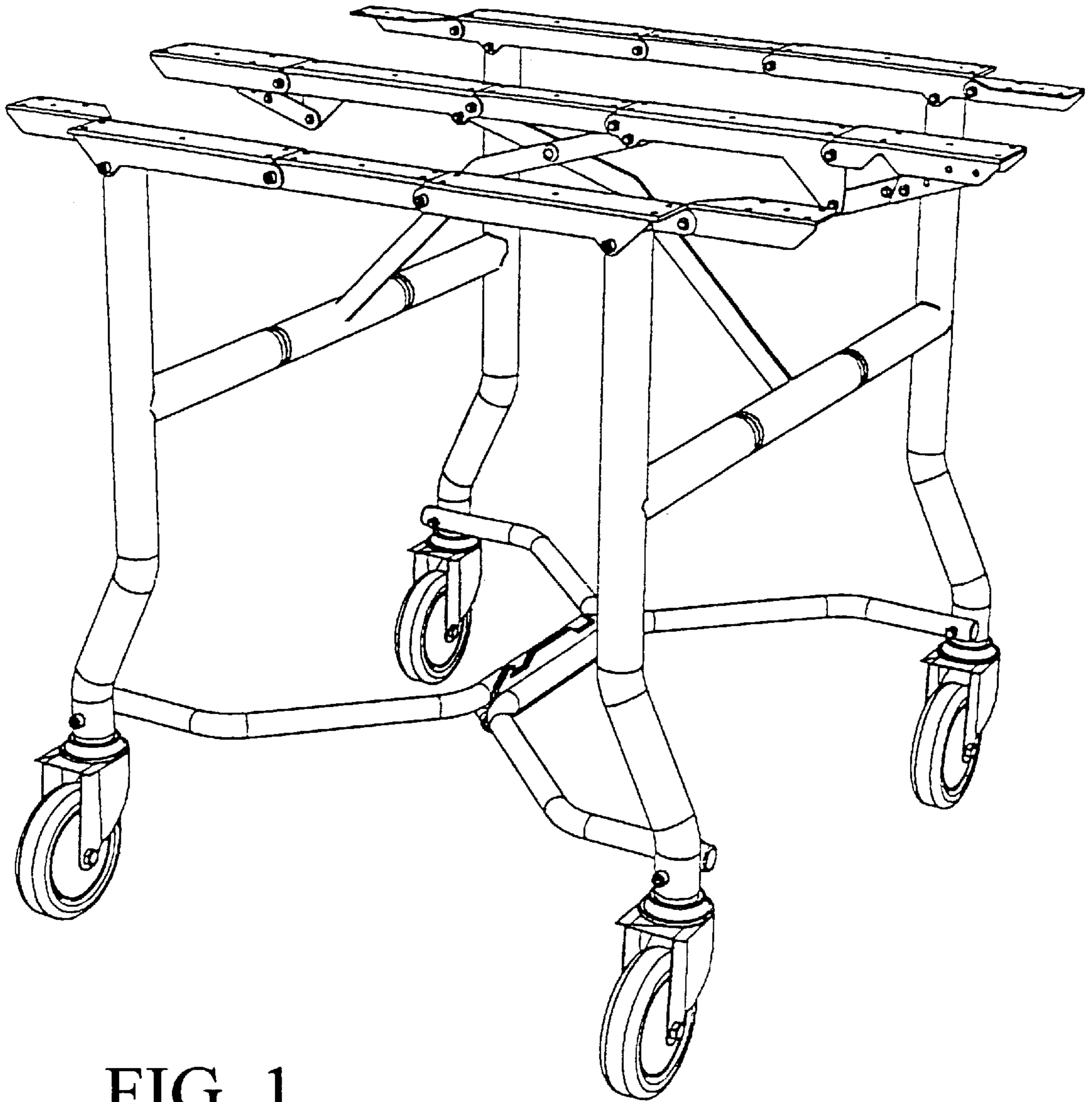


FIG. 1

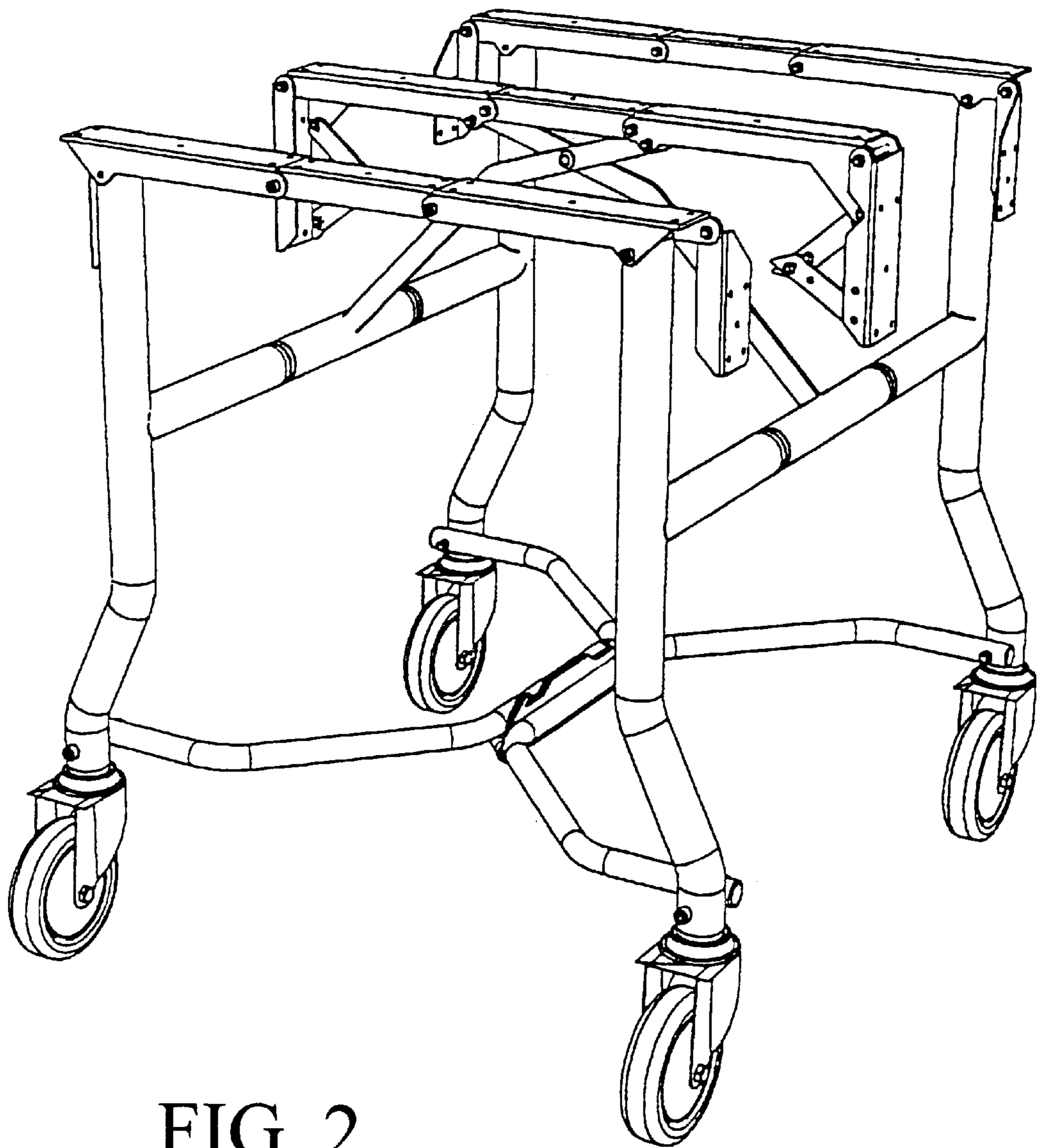


FIG. 2

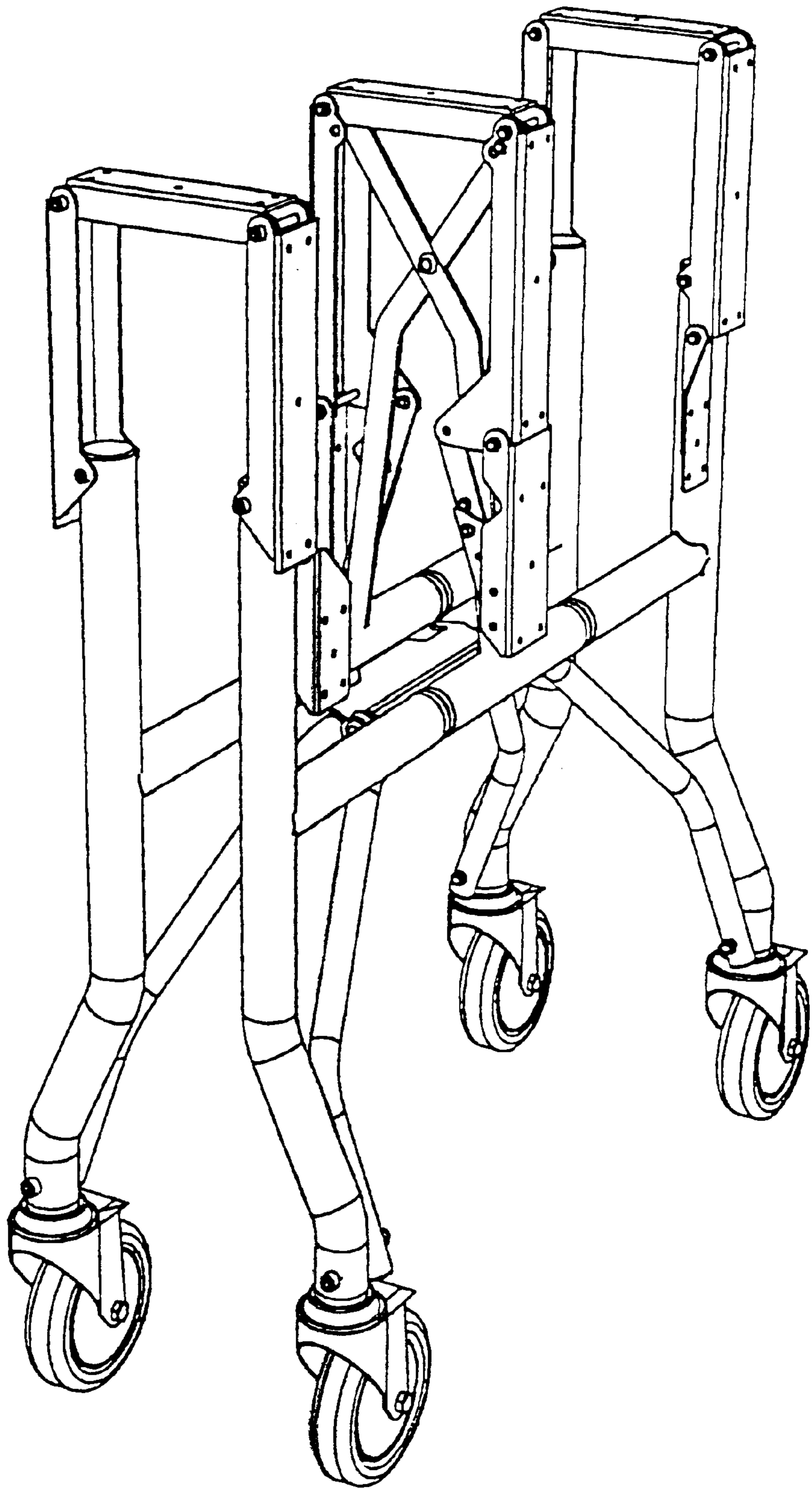


FIG. 3

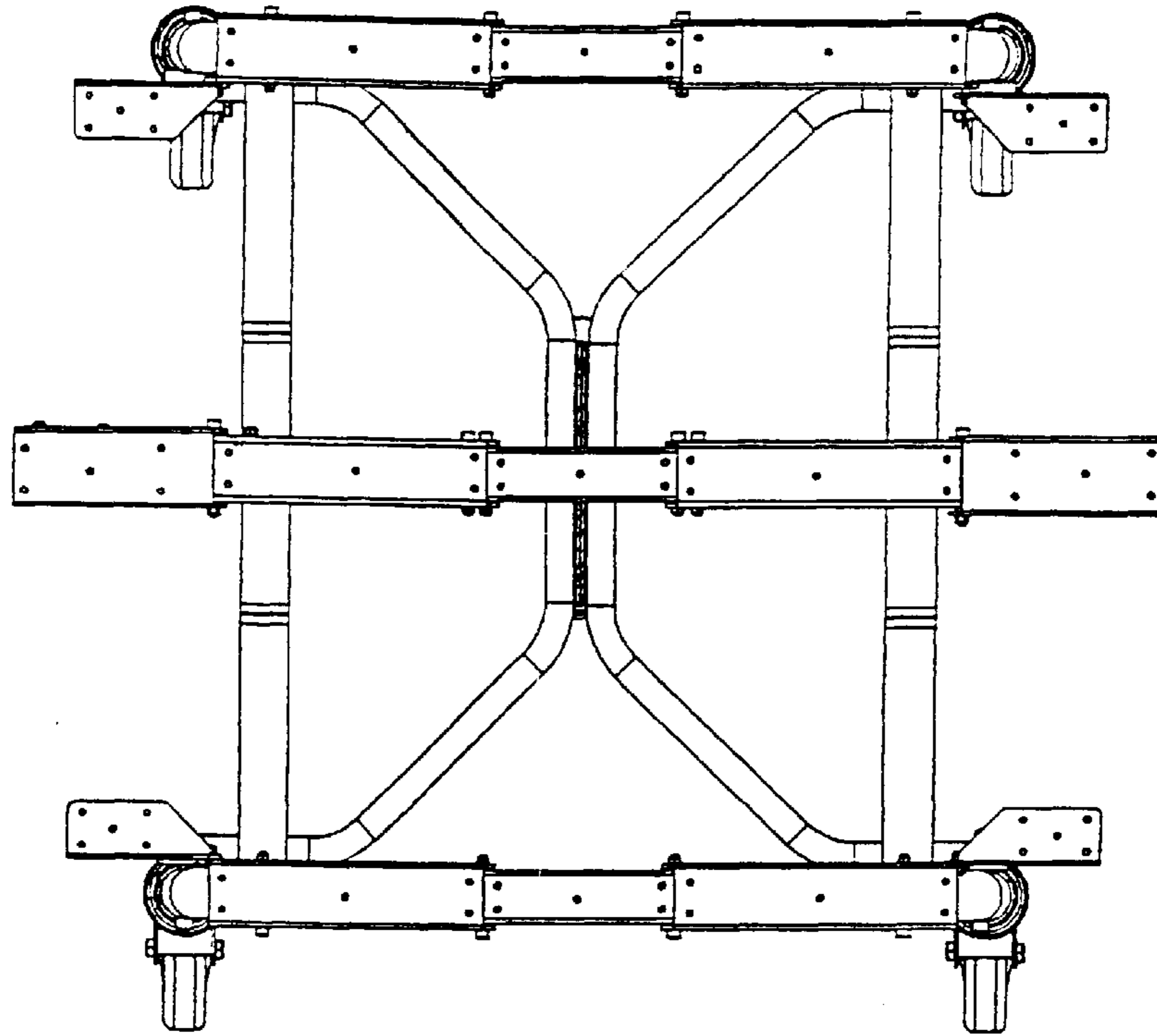


FIG. 4

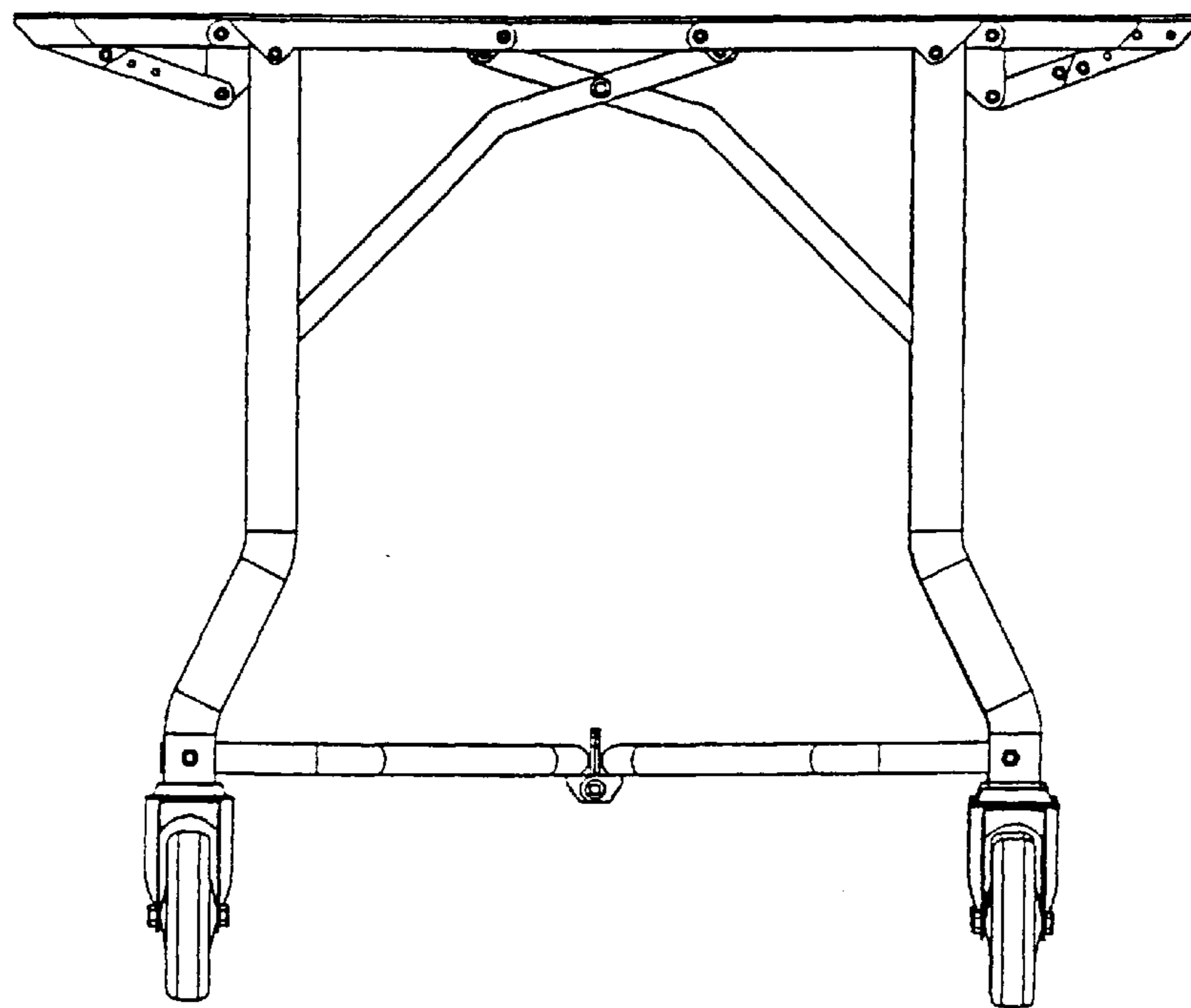


FIG. 5

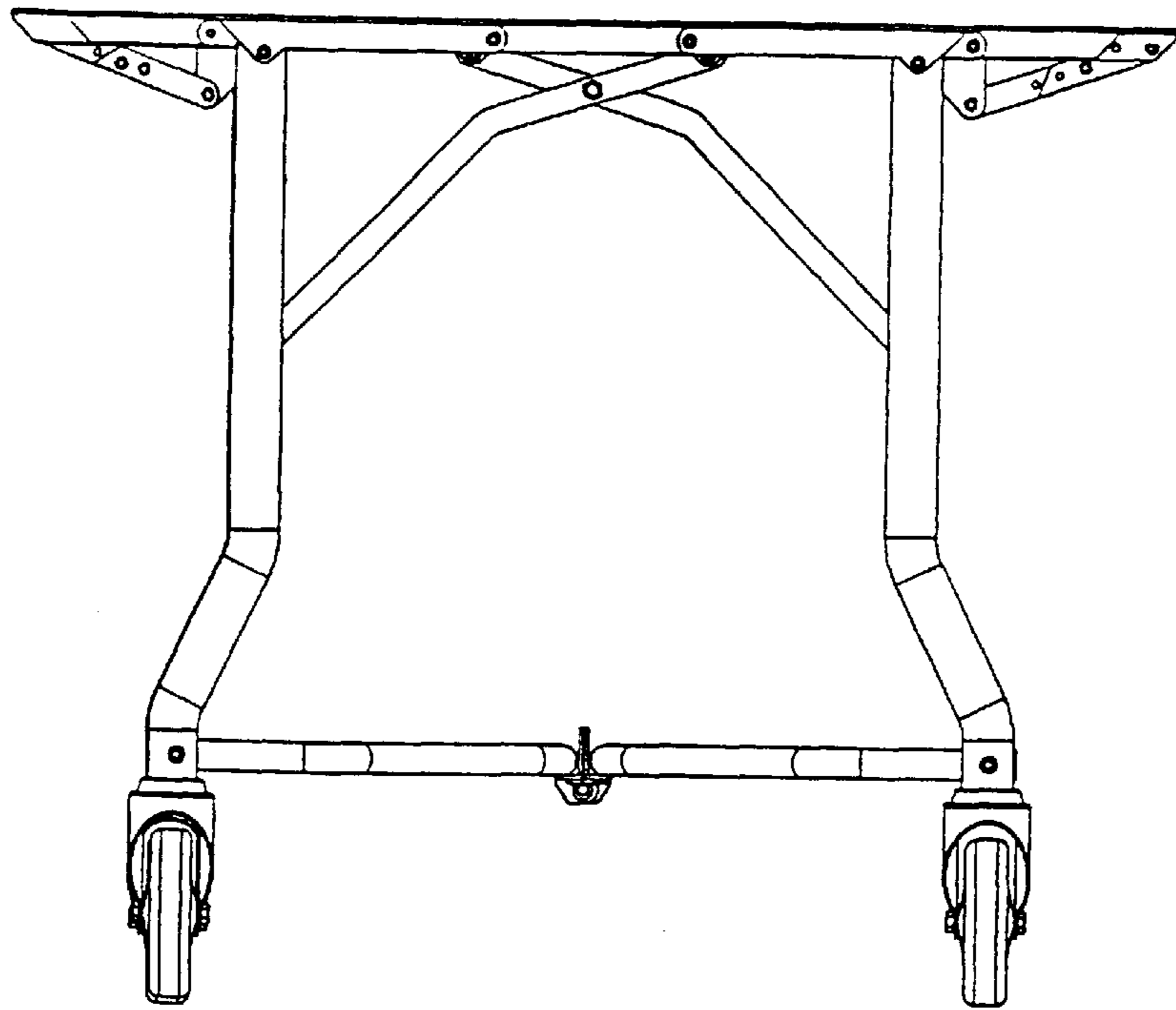


FIG. 6

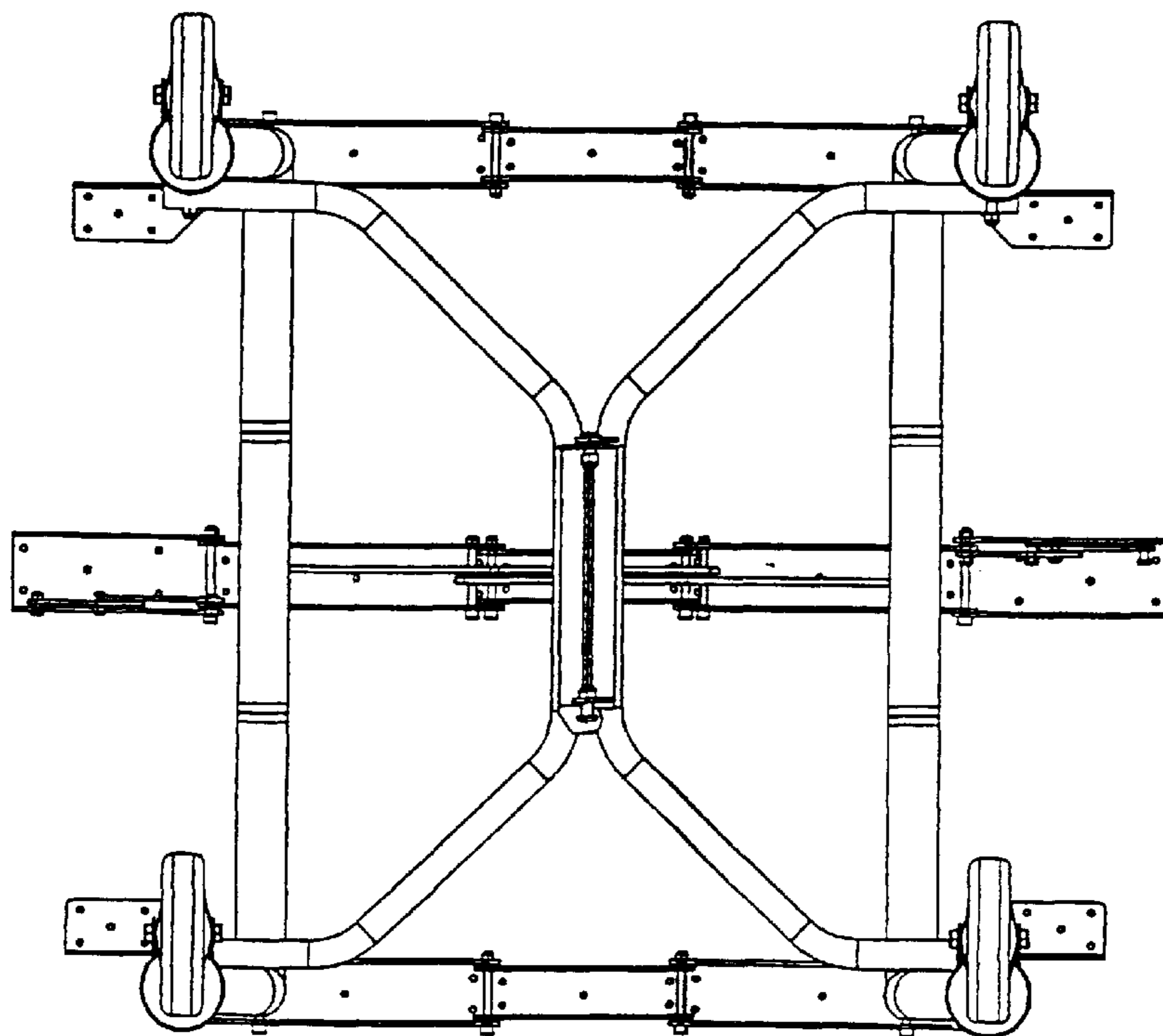


FIG. 7

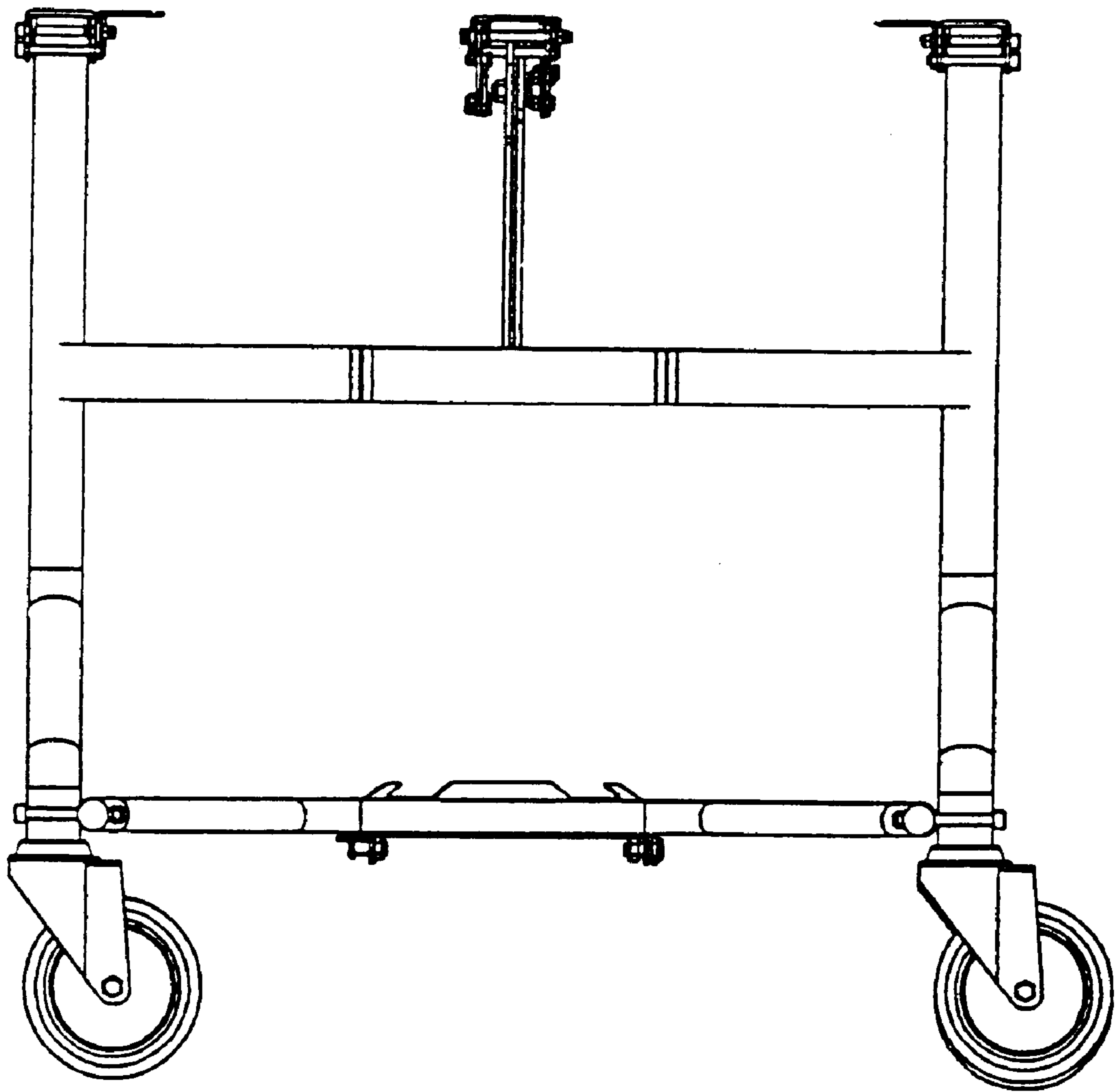


FIG. 8

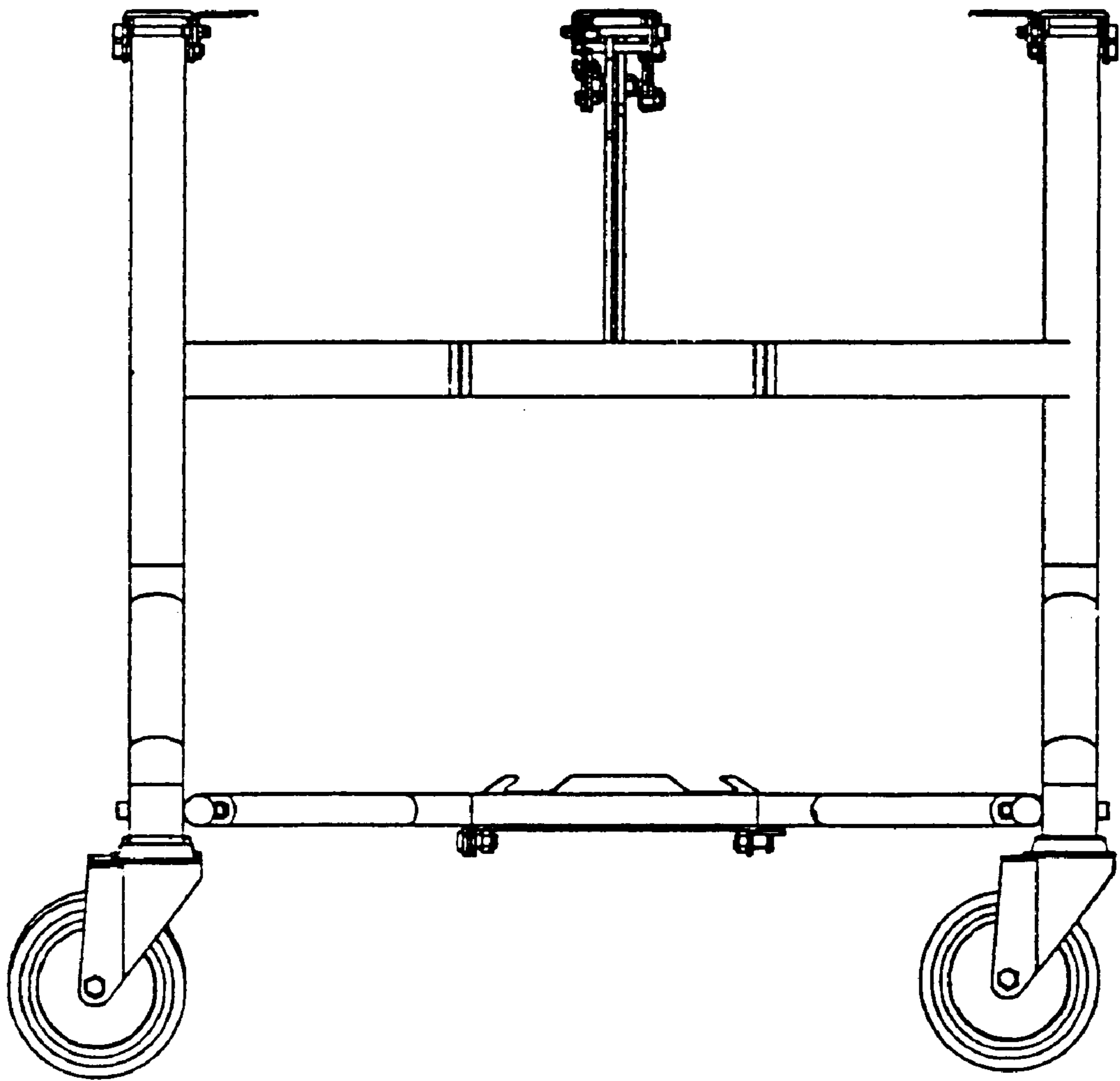


FIG. 9