



US00D440019S

(12) **United States Design Patent**  
**Mehaffey et al.**

(10) **Patent No.:** **US D440,019 S**

(45) **Date of Patent:** **\*\* Apr. 3, 2001**

(54) **CANISTER VACUUM POWER HEAD**

(75) Inventors: **David E. Mehaffey**, Danville, KY  
(US); **Ty S. Rarick**, Houston, TX (US)

(73) Assignee: **Matsushita Electric Corporation of America**, Secaucus, NJ (US)

(\*\*) Term: **14 Years**

(21) Appl. No.: **29/080,500**

(22) Filed: **Dec. 10, 1997**

(51) **LOC (7) Cl.** ..... **15-05**

(52) **U.S. Cl.** ..... **D32/32**

(58) **Field of Search** ..... D32/21-22, 31-34;  
15/323, 347, 350, 351, 352, 410-411, 412,  
415.1-422.1

(56) **References Cited**

**U.S. PATENT DOCUMENTS**

- D. 263,052 \* 2/1982 Ueda ..... D32/33
- D. 263,236 \* 3/1982 Ueda ..... D32/32
- D. 298,876 12/1988 Yamamoto et al. .
- D. 314,264 \* 1/1991 Kim ..... D32/33
- D. 314,265 \* 1/1991 Hong ..... D32/33
- D. 318,542 7/1991 Funatsu et al. .

- D. 331,991 12/1992 Wright et al. .
- D. 335,941 5/1993 Wright et al. .
- D. 352,809 \* 11/1994 Reath ..... D32/31
- D. 358,242 \* 5/1995 McKnight ..... D32/32
- D. 376,879 \* 12/1996 Selewski et al. .... D32/32

\* cited by examiner

*Primary Examiner*—Ruth McInroy

(74) *Attorney, Agent, or Firm*—King and Schickli, PLLC

(57) **CLAIM**

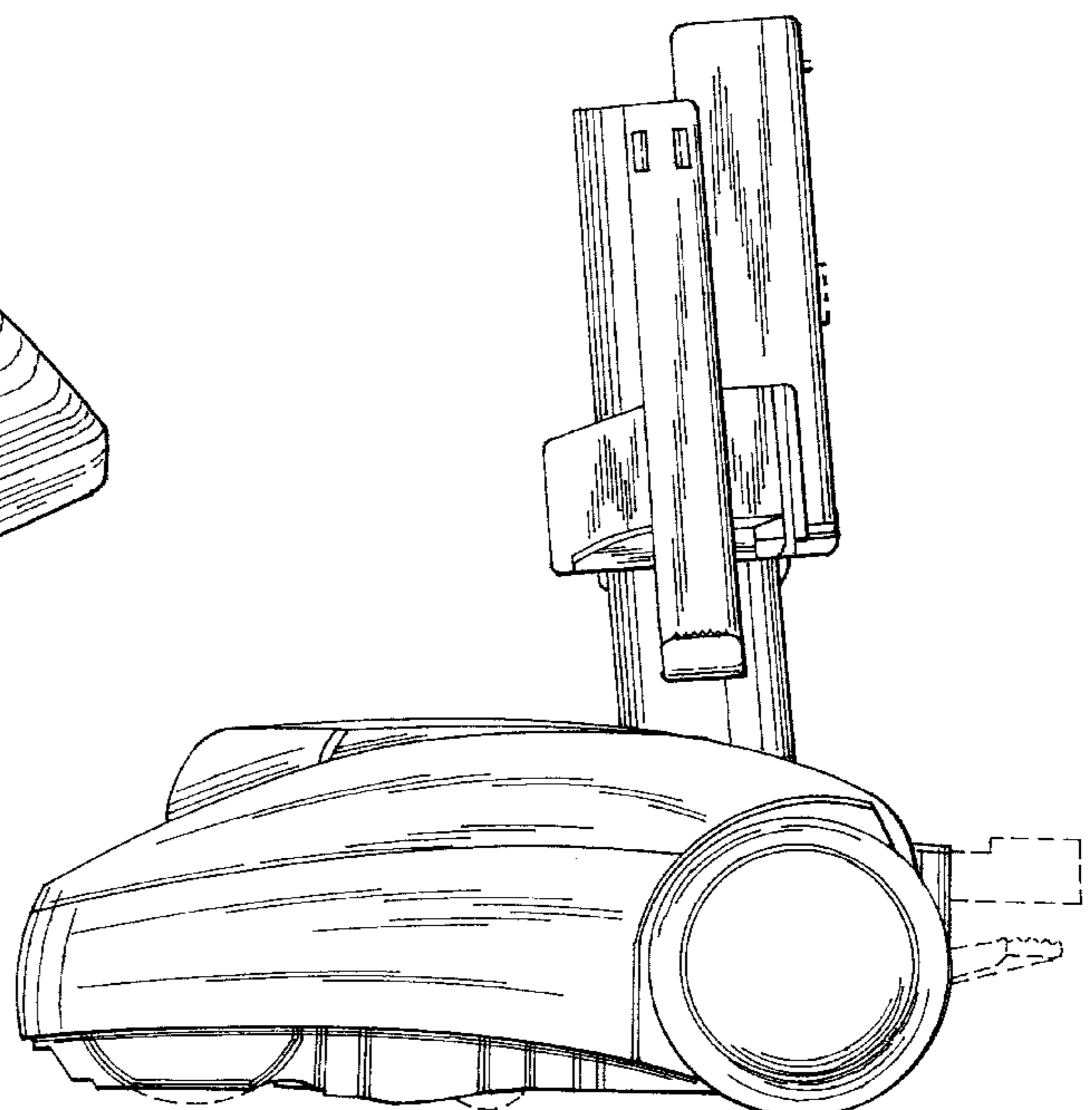
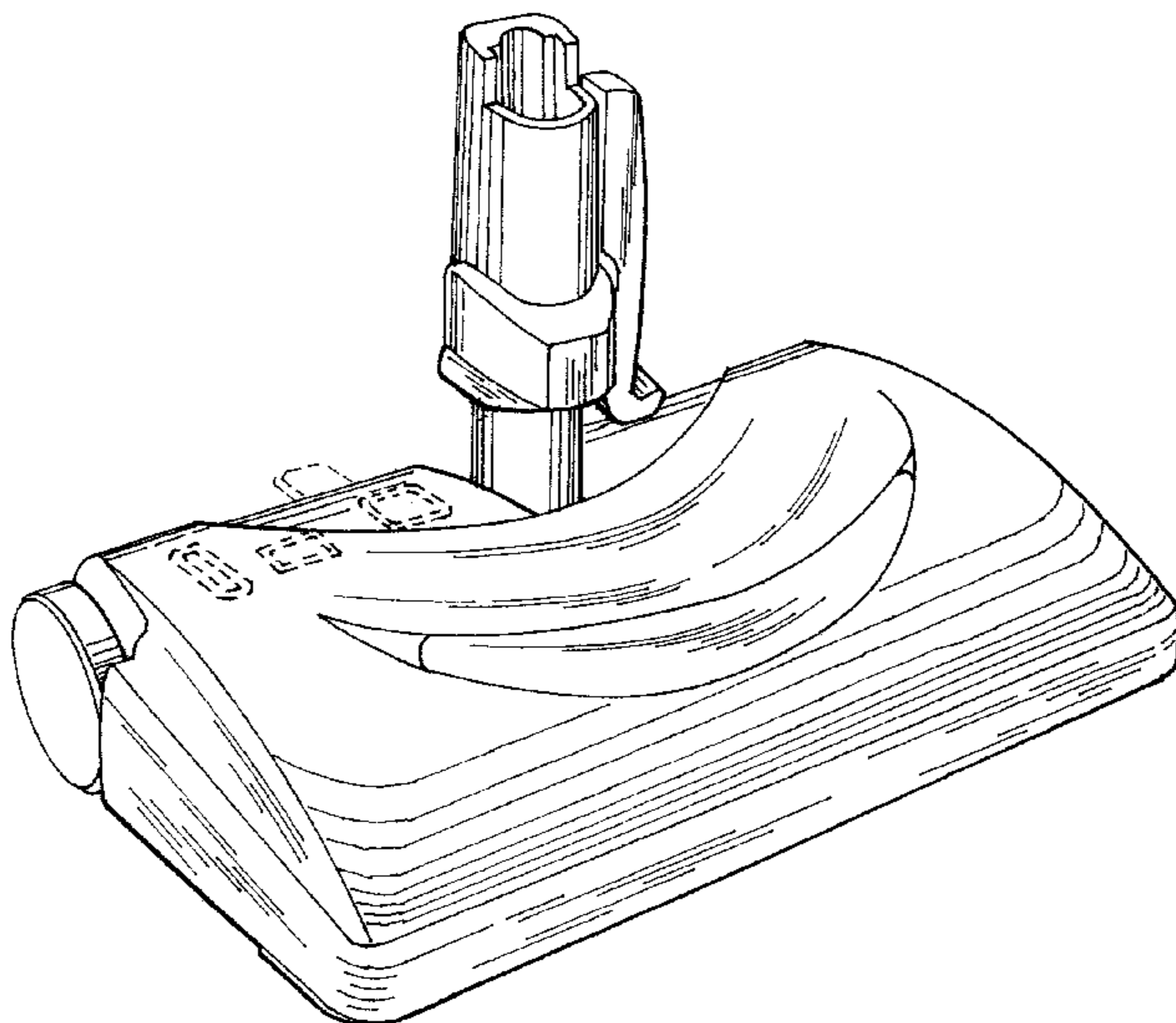
The ornamental design of an canister vacuum power head, as shown and described.

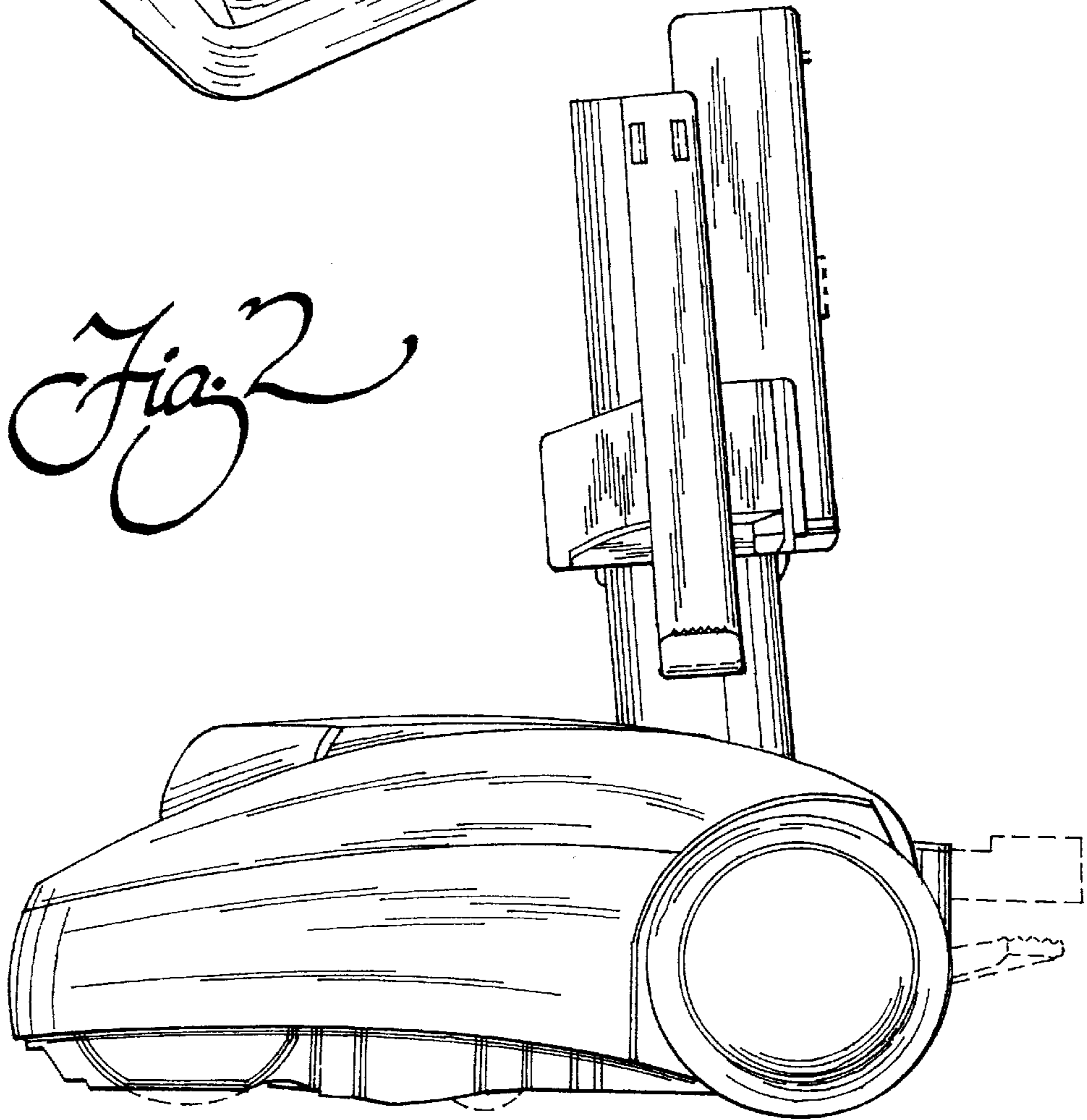
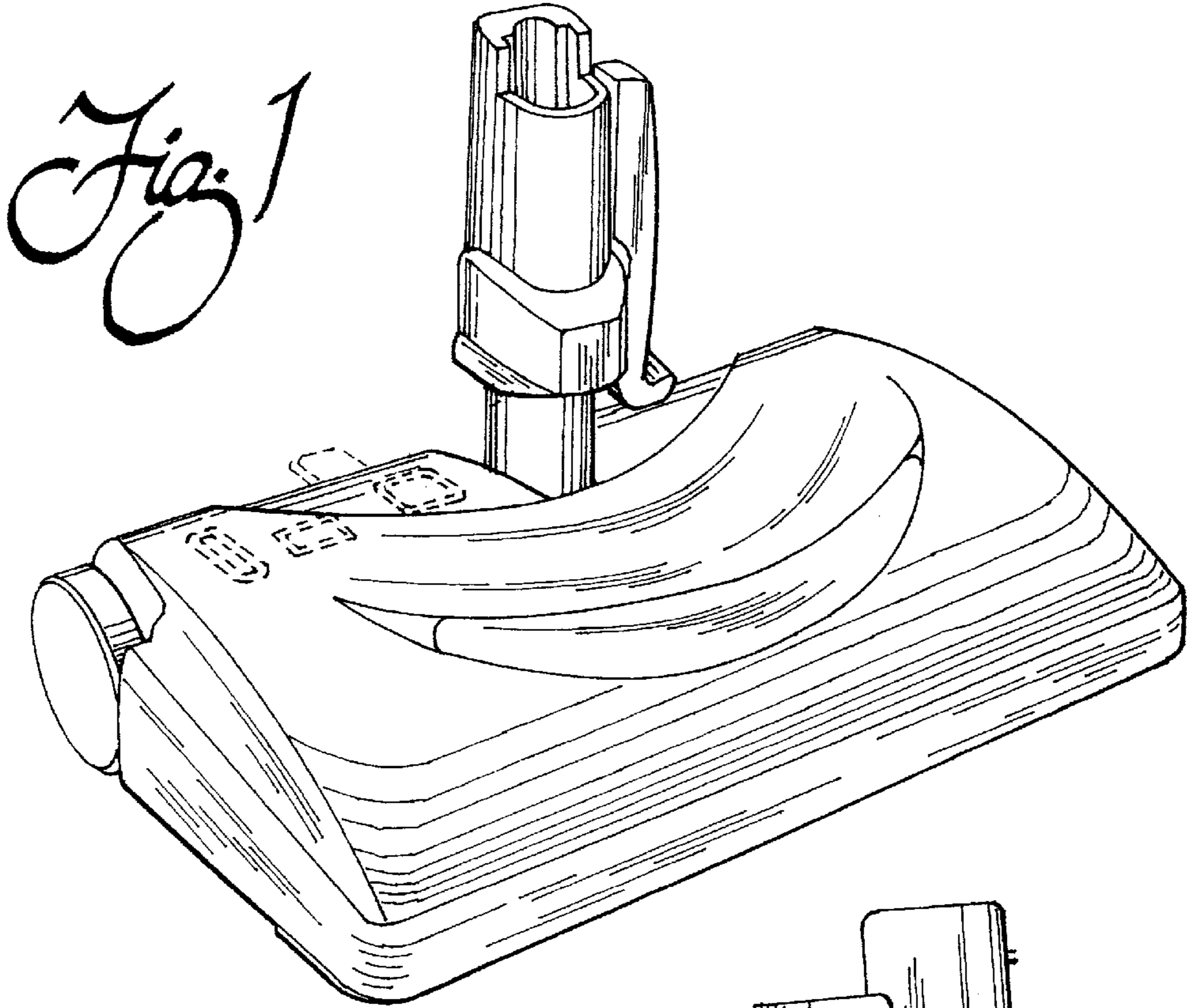
**DESCRIPTION**

FIG. 1 is a perspective view of a canister vacuum power head showing our new design;  
 FIG. 2 is a left side elevational view thereof;  
 FIG. 3 is a front elevational view thereof;  
 FIG. 4 is a right side elevational view thereof;  
 FIG. 5 is a rear elevational view thereof;  
 FIG. 6 is a top plan view thereof; and,  
 FIG. 7 is a bottom plan view thereof.

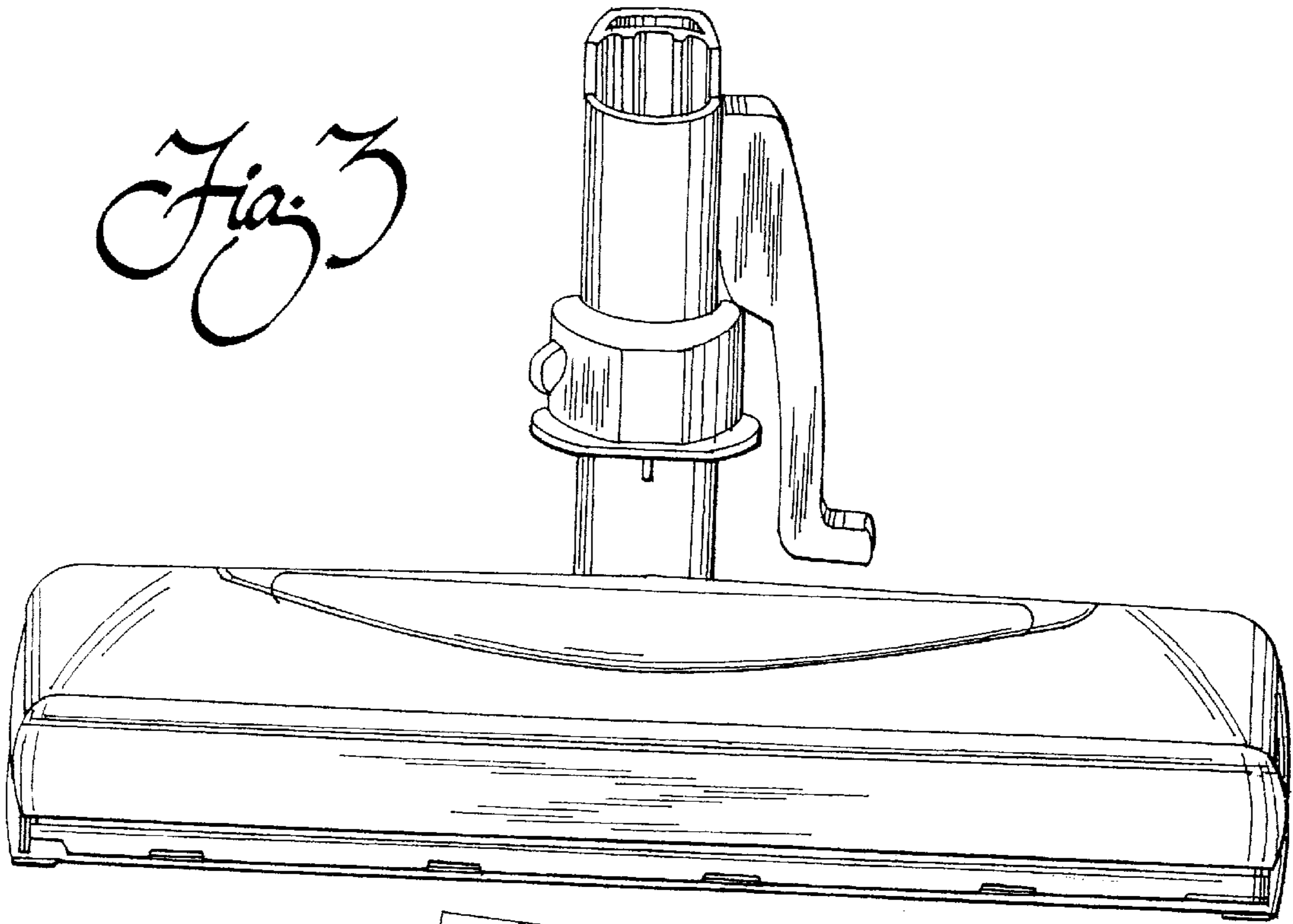
The details shown in broken lines in FIGS. 1, 2, 4, 5, 6, and 7 are shown for illustrative purposes only and form no part of the claimed design.

**1 Claim, 4 Drawing Sheets**

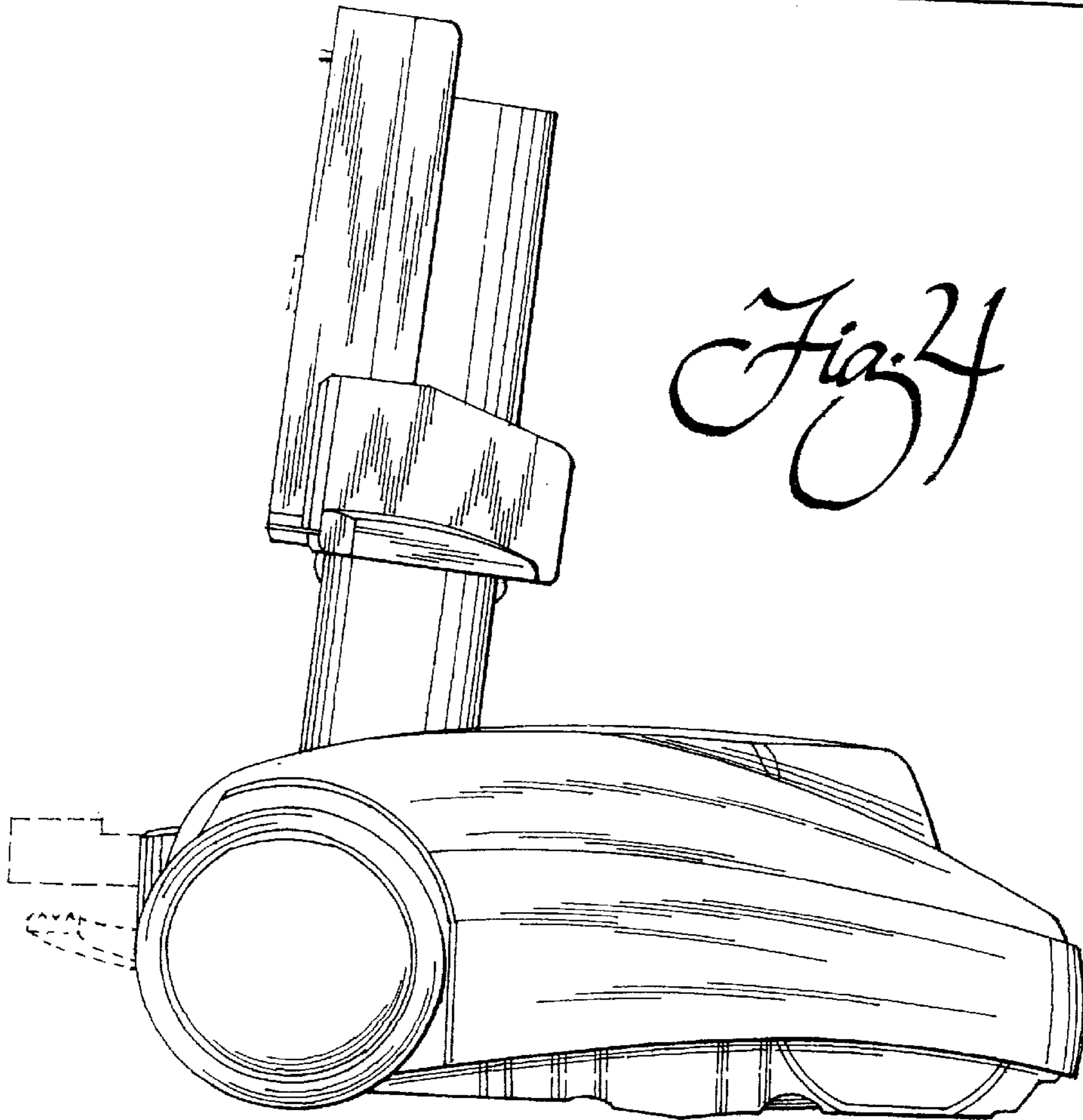




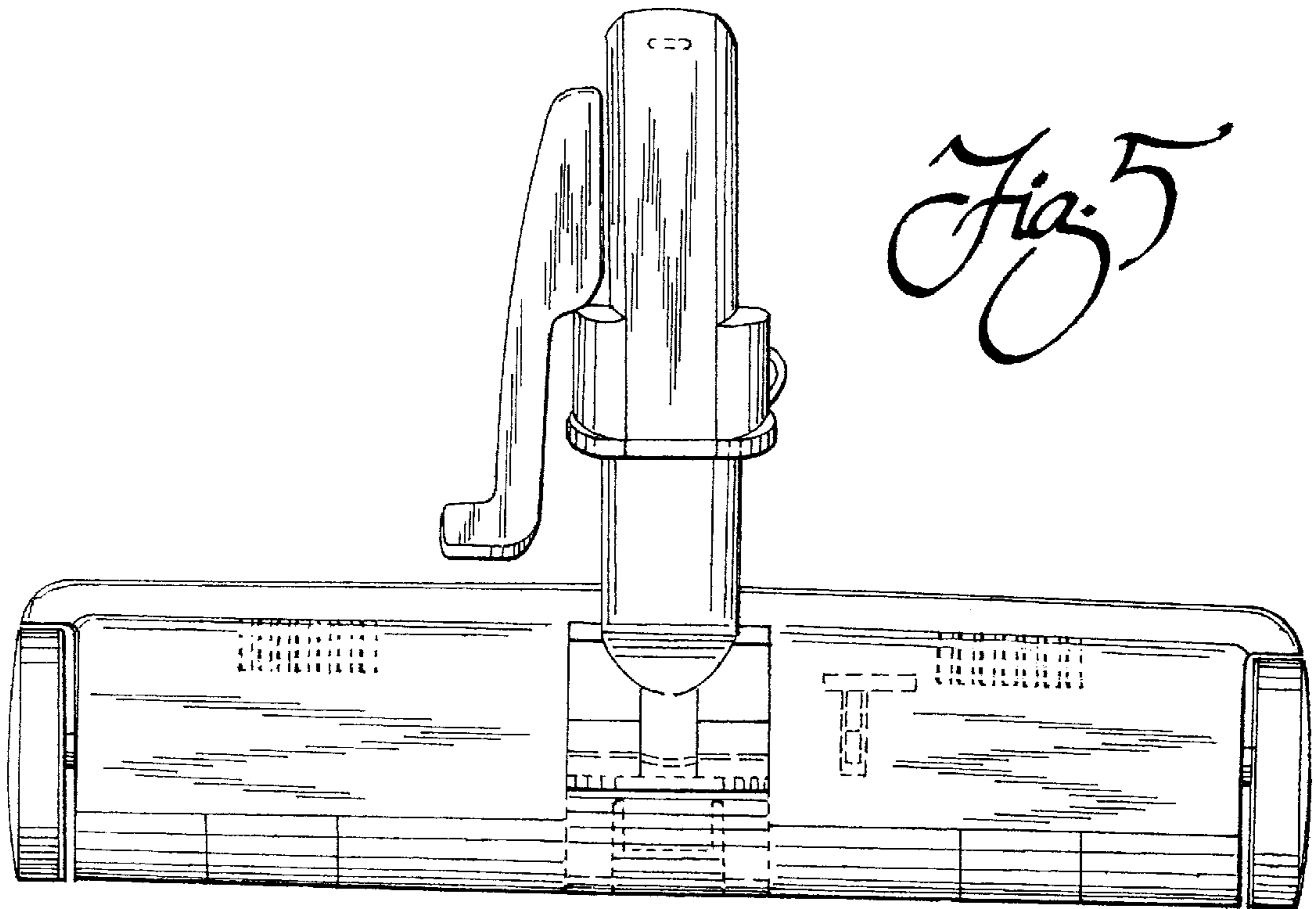
*Fig. 3*



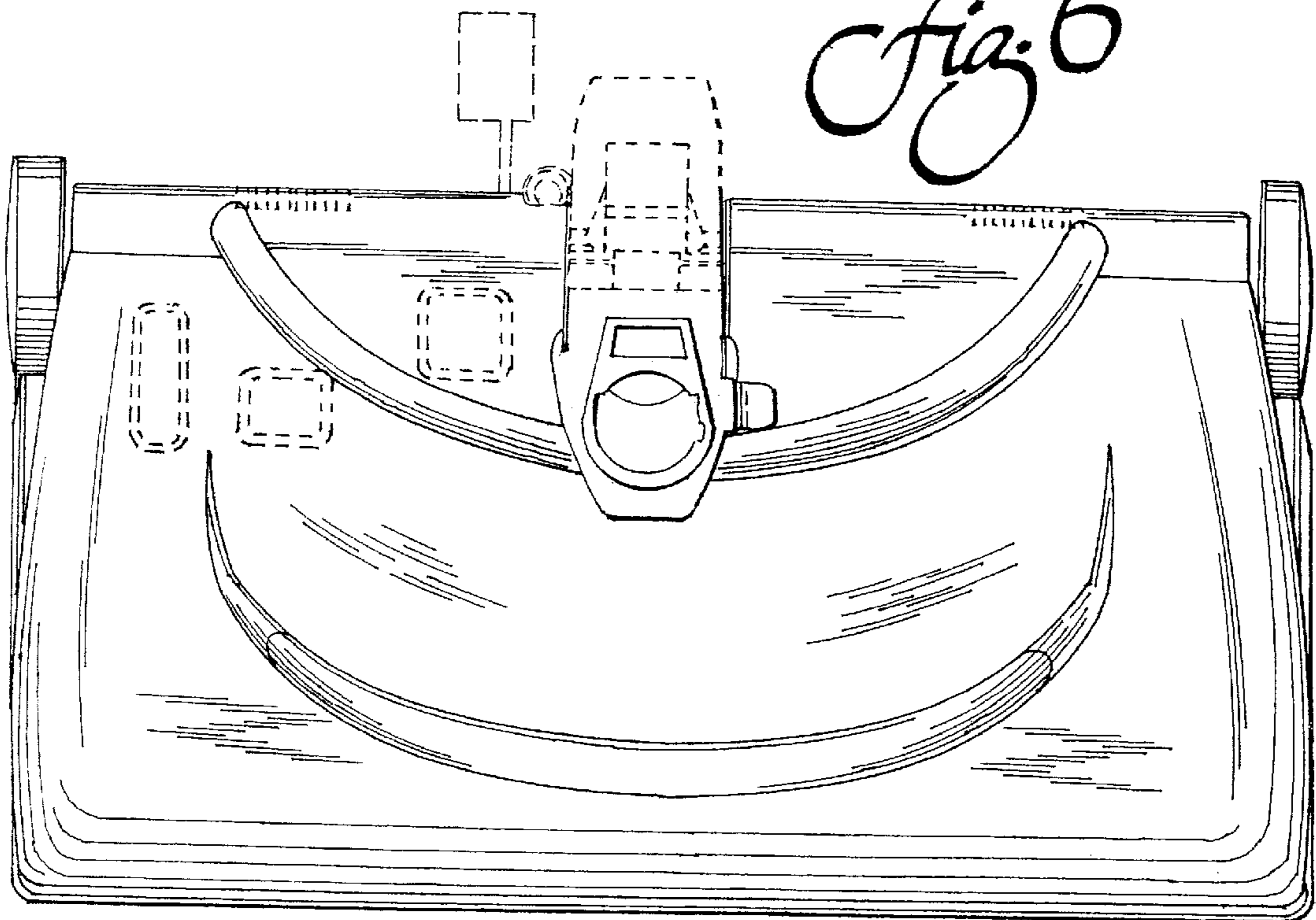
*Fig. 2*



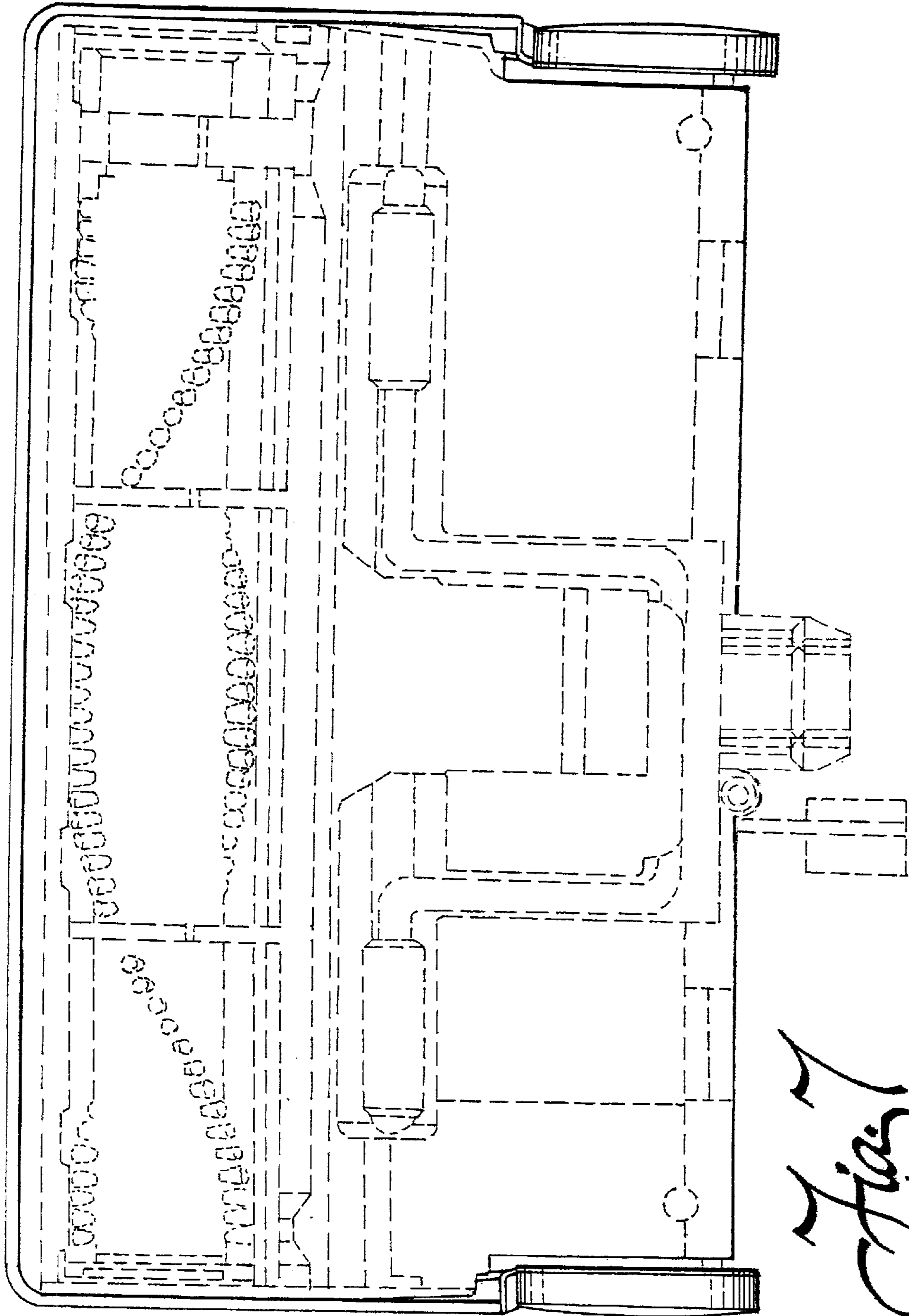




*Fig. 5*



*Fig. 6*



*Fig. 7*