



US00D440016S

(12) **United States Design Patent**  
**Thorpe**

(10) **Patent No.:** **US D440,016 S**

(45) **Date of Patent:** **\*\* Apr. 3, 2001**

(54) **COSMETIC CONTAINER POT WITH  
REMOVABLE LID AND DECORATION**

(75) **Inventor:** **James Thorpe**, Beckenham (GB)

(73) **Assignee:** **HCT Limited**, Hong Kong (CN)

(\*\*) **Term:** **14 Years**

(21) **Appl. No.:** **29/122,237**

(22) **Filed:** **Apr. 20, 2000**

(51) **LOC (7) Cl.** ..... **28-03**

(52) **U.S. Cl.** ..... **D28/77; D7/337; D7/503;  
D7/559; D9/629**

(58) **Field of Search** ..... **D28/76, 77, 82,  
D28/91, 79, 80, 87, 84; D9/503, 504, 500-502,  
307, 310, 314, 315, 318, 331, 336, 554,  
558, 559, 567, 418, 434-436, 441, 445,  
451, 454; 132/286; 206/581, 823, 457;  
215/227, 228, 386; 220/212, 376, 377**

(56) **References Cited**

**U.S. PATENT DOCUMENTS**

- D. 34,618 \* 6/1901 Wood ..... D9/504
- D. 130,407 \* 11/1941 McIntosh ..... D28/76

- D. 153,938 \* 5/1949 Graham ..... D28/77
- D. 267,234 \* 12/1982 Lunden ..... D9/418 X
- D. 280,975 \* 10/1985 Van Dine ..... D9/504
- D. 306,826 \* 3/1990 Bormioli ..... D9/504
- D. 370,307 \* 5/1996 Chen ..... D28/79
- D. 388,701 \* 1/1998 Lee ..... D9/414
- 5,881,876 \* 3/1999 Nonomura et al. .... 401/23 X

\* cited by examiner

*Primary Examiner*—Ted Shooman

*Assistant Examiner*—C Tuttle

(74) *Attorney, Agent, or Firm*—Norris, McLaughlin & Marcus

(57) **CLAIM**

The ornamental design for a cosmetic container pot with removable lid and decoration, as shown and described.

**DESCRIPTION**

- FIG. 1 is a perspective view of my new design;
- FIG. 2 is a top plan view thereof;
- FIG. 3 is a bottom plan view thereof;
- FIG. 4 is a front elevational view thereof;
- FIG. 5 is a side elevational view thereof; and,
- FIG. 6 is an exploded perspective view thereof.

**1 Claim, 1 Drawing Sheet**

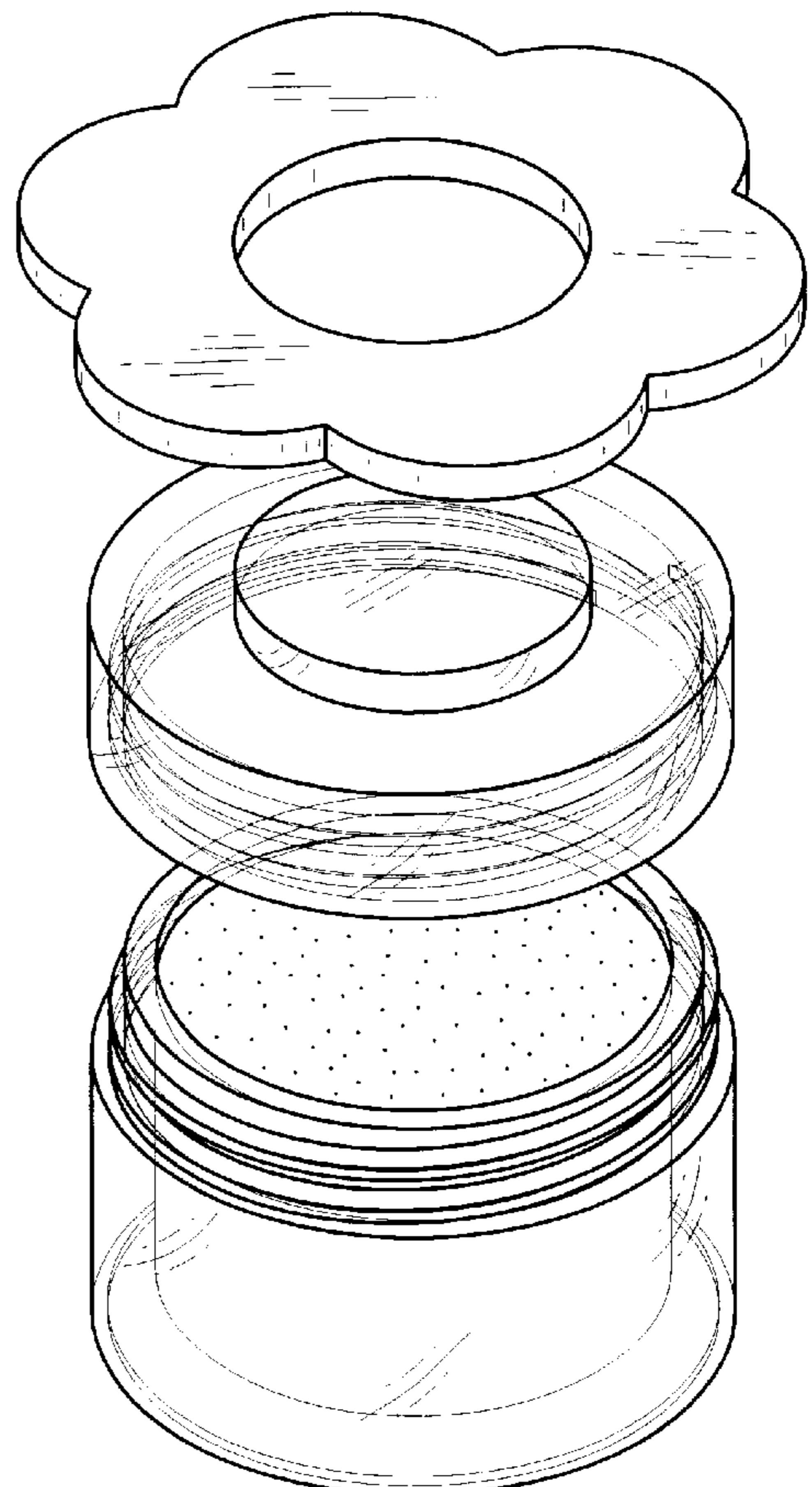
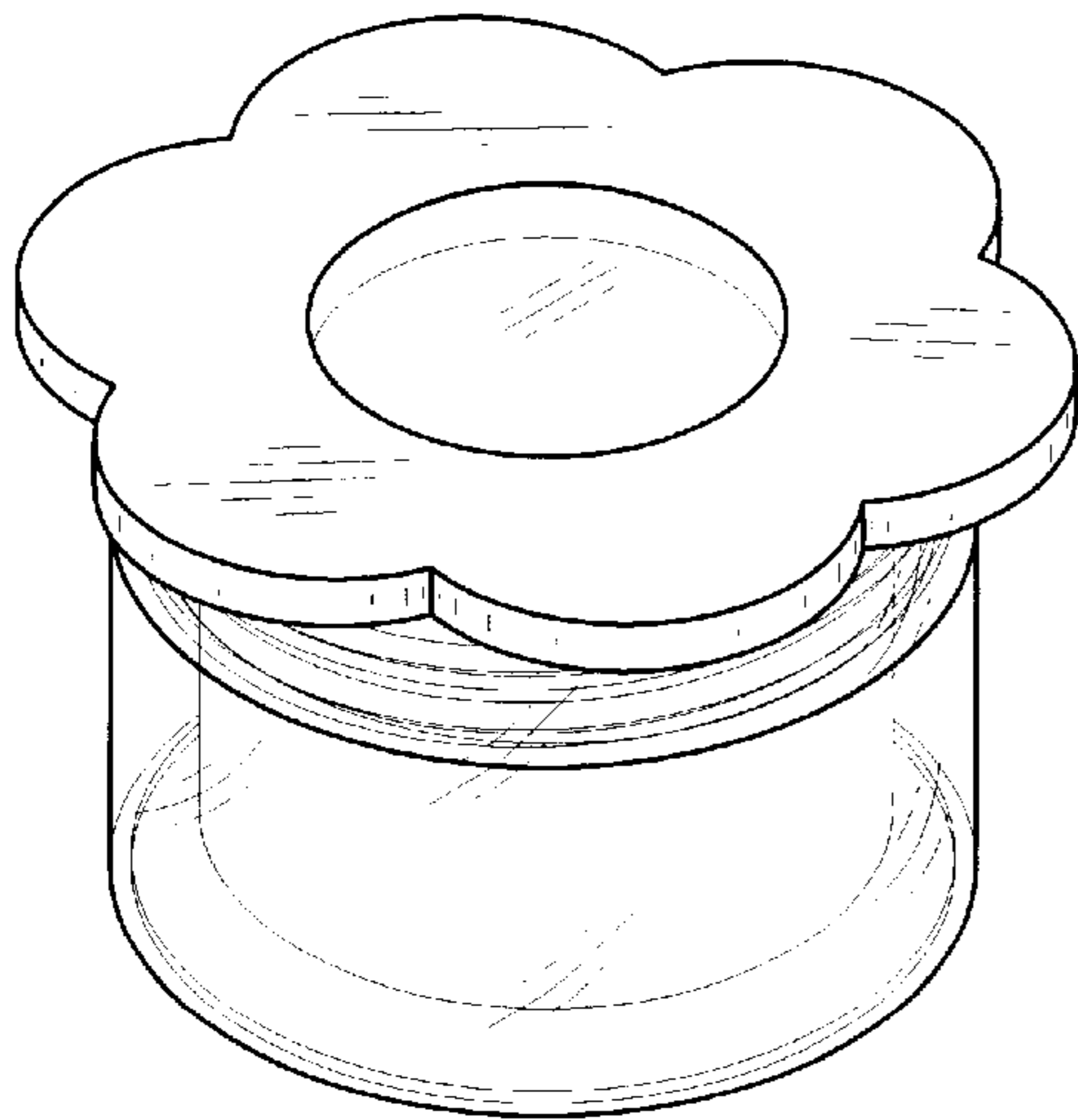


FIG. 1

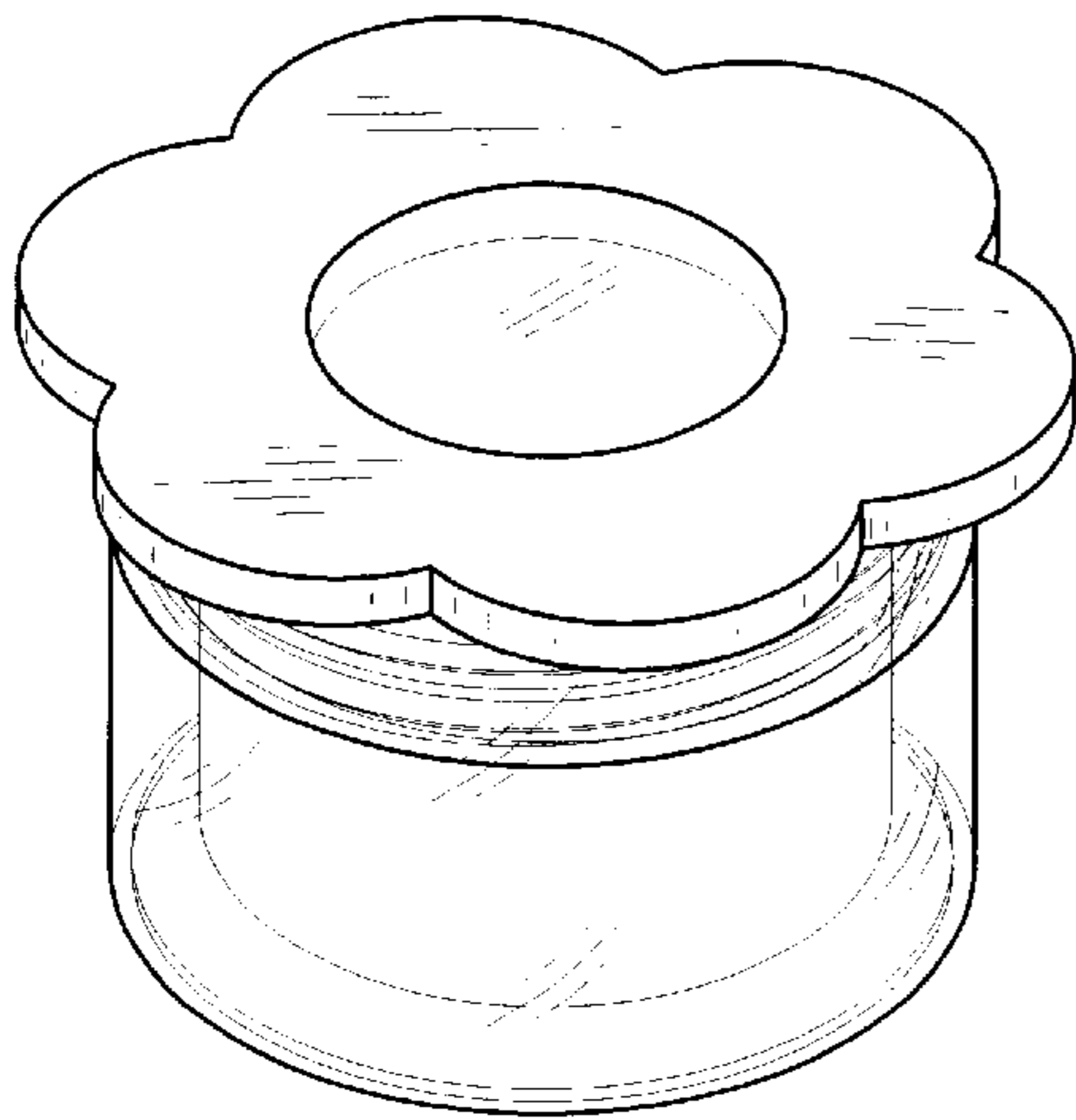


FIG. 2

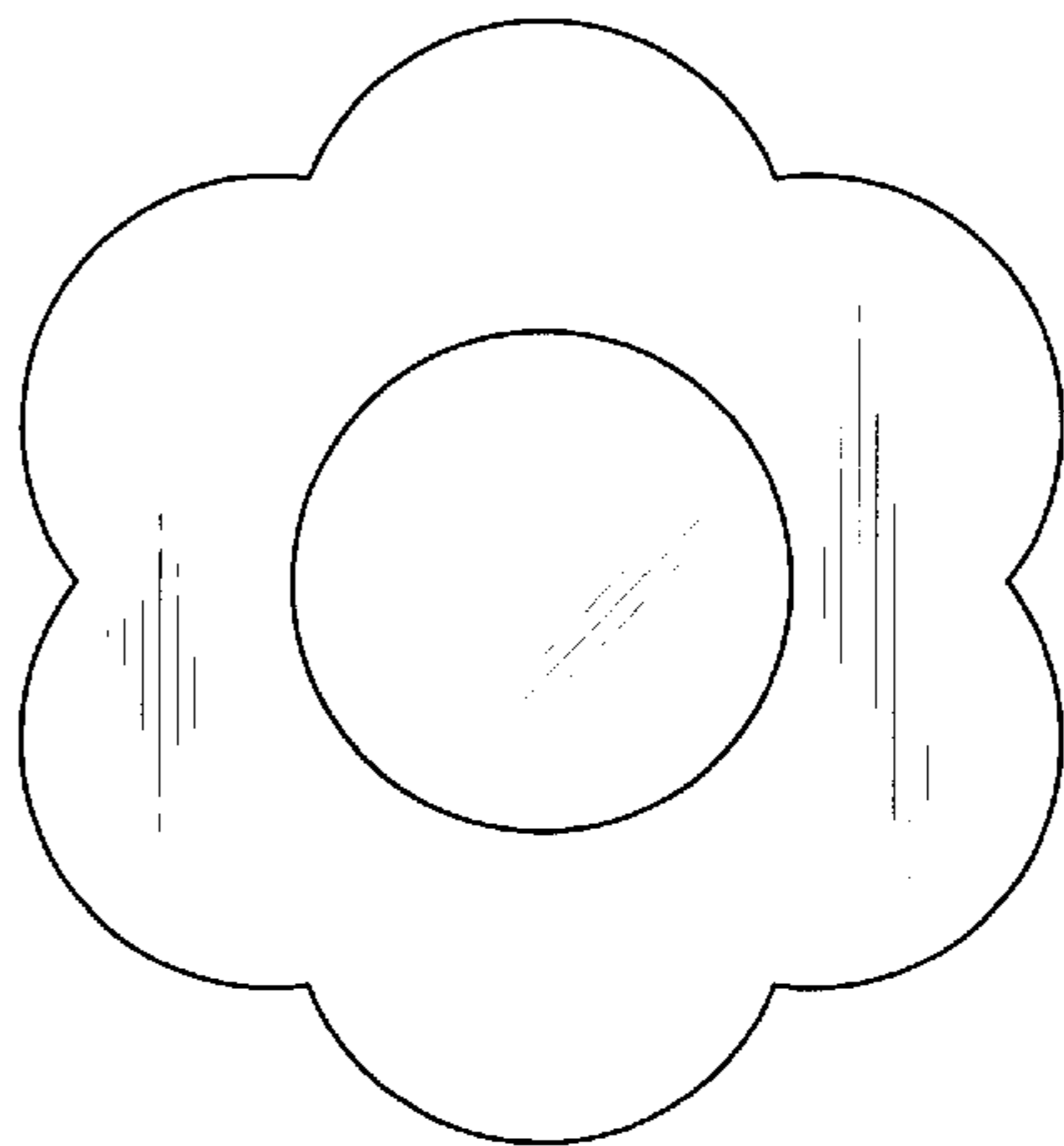


FIG. 3

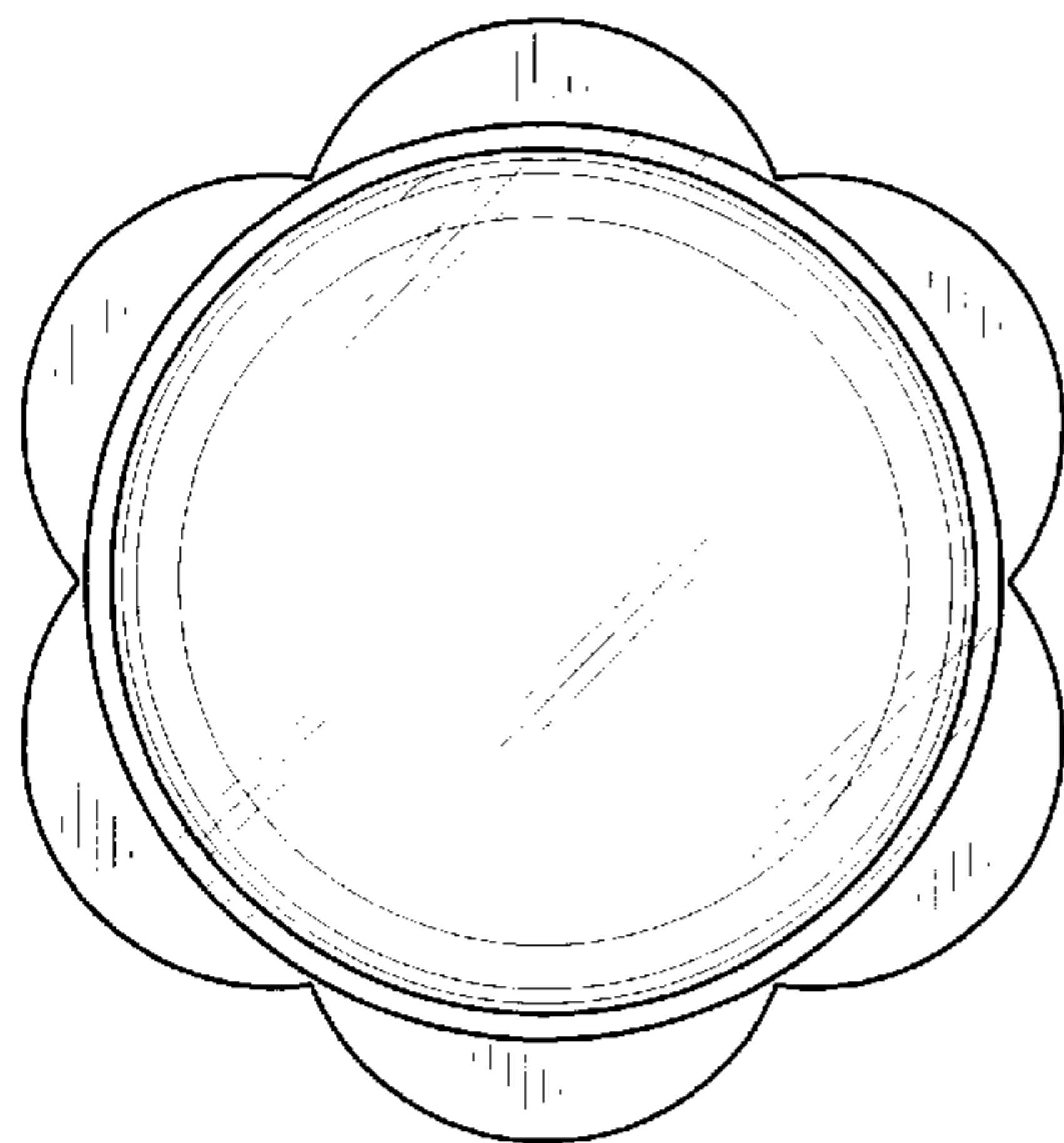


FIG. 4

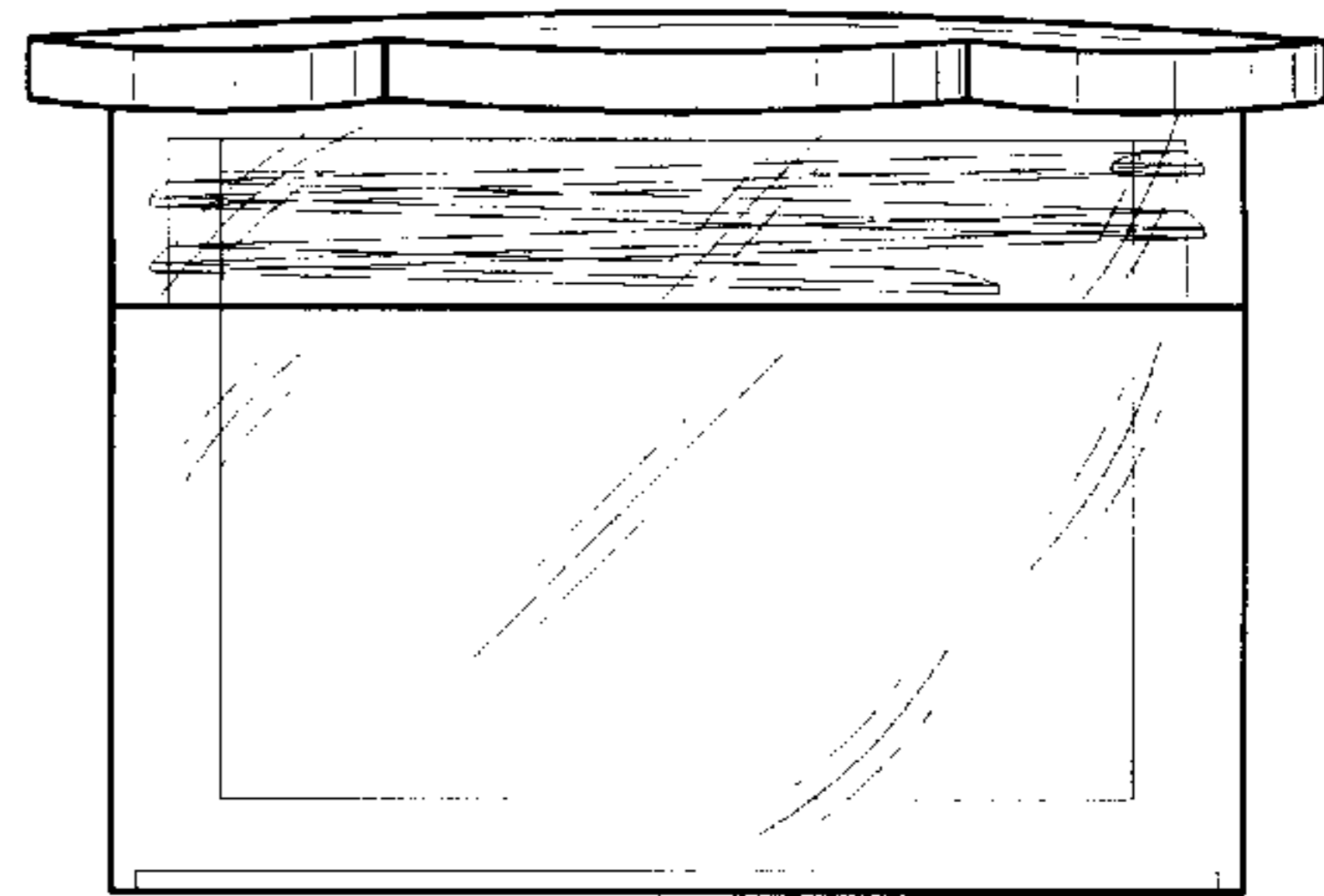


FIG. 5

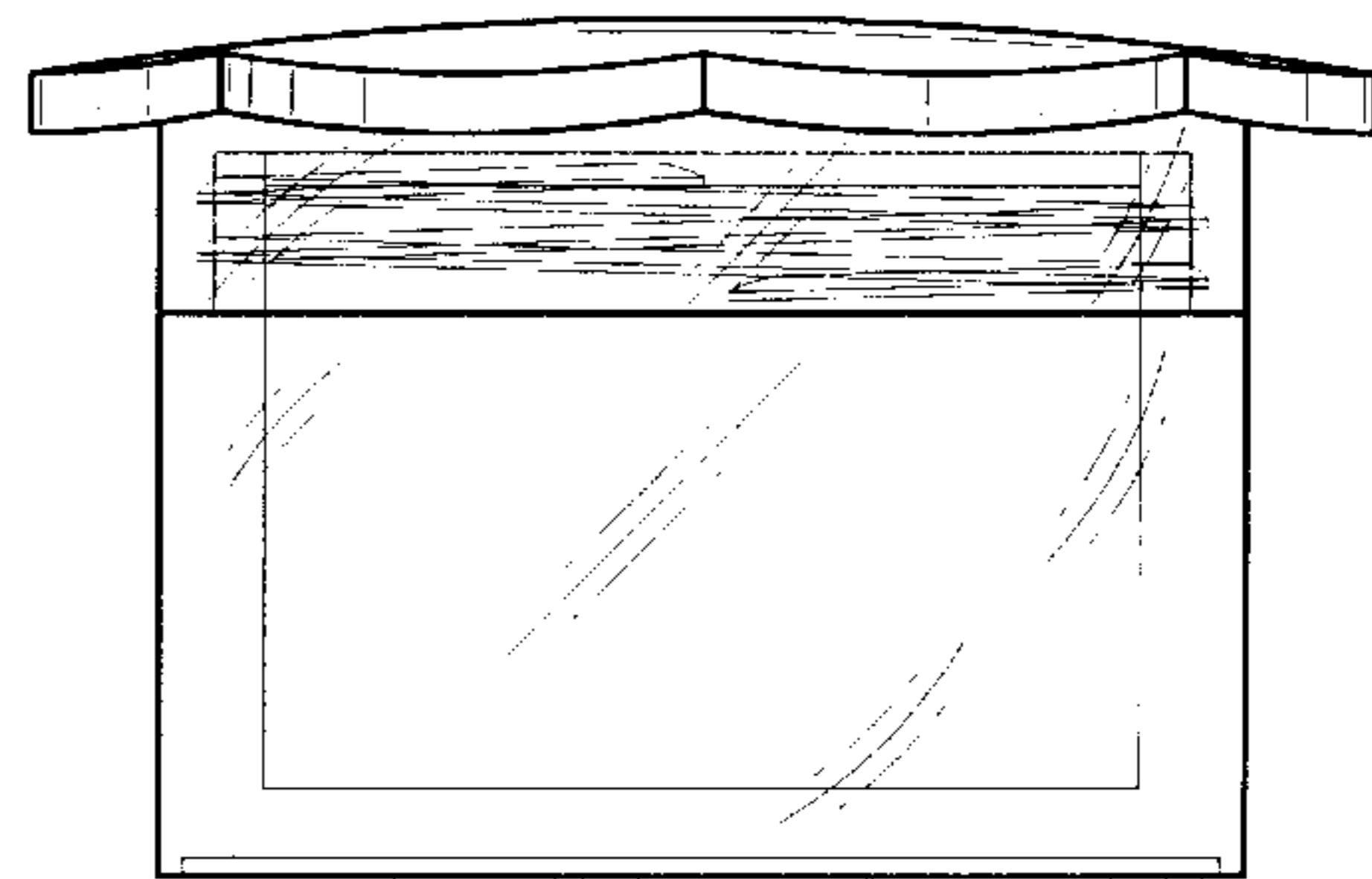


FIG. 6

