



US00D440014S

(12) **United States Design Patent** (10) **Patent No.:** **US D440,014 S**
de Baschmakoff (45) **Date of Patent:** **** Apr. 3, 2001**

(54) **COSMETIC CONTAINER**

(74) *Attorney, Agent, or Firm*—Ladas & Parry

(75) **Inventor:** **Thierry de Baschmakoff**, Paris (FR)

(57) **CLAIM**

(73) **Assignee:** **Salvatore Ferragamo Italia S.p.A.**,
Florence (IT)

I claim the ornamental design for cosmetic container, as shown and described.

(**) **Term:** **14 Years**

DESCRIPTION

(21) **Appl. No.:** **29/115,570**

FIG. 1 is perspective view of a cosmetic container showing my new design;

(22) **Filed:** **Dec. 16, 1999**

FIG. 2 is a first side view of the container of FIG. 1, the view from the opposite side being equal;

(30) **Foreign Application Priority Data**

Sep. 24, 1999 (IT) FI9900066

FIG. 3 is a second side view of the container of FIG. 1, the view from the opposite side being equal;

(51) **LOC (7) Cl.** **28-03**

FIG. 4 is a top plan view of the container of FIG. 1;

(52) **U.S. Cl.** **D28/76**

FIG. 5 is a bottom plan view of the container of FIG. 1.

(58) **Field of Search** D28/91.1, 73,
D28/74, 61; D8/300, 502, 504, 520, 528,
529; D19/35, 77; D4/114; D3/205; 239/304,
327, 362; 401/149, 175

FIG. 6 is a perspective view of a second embodiment of the cosmetic container of FIG. 1 in which a portion is transparent;

(56) **References Cited**

U.S. PATENT DOCUMENTS

- D. 31,892 * 11/1899 Downey D28/91.1
- D. 326,611 * 6/1992 Dinand D9/529
- D. 348,333 * 6/1994 Perrin et al. D28/91.1
- D. 353,993 * 1/1995 Weiss et al. D9/300
- D. 383,972 * 9/1997 Weiss D9/300
- D. 392,558 * 3/1998 Monaghan D9/300
- D. 422,899 * 4/2000 Kupp D9/300
- D. 424,946 * 5/2000 Alsup D9/528

FIG. 7 is a first side view of the container of FIG. 6, the view from the opposite side being equal;

FIG. 8 is a second side view of the container of FIG. 6, the view from the opposite side being equal;

FIG. 9 is a top plan view of the container of FIG. 6; and, FIG. 10 is a bottom plan view of the container of FIG. 6.

Broken line disclosure in FIGS. 6–10 is for illustrative purposes only and forms no part of the claimed design.

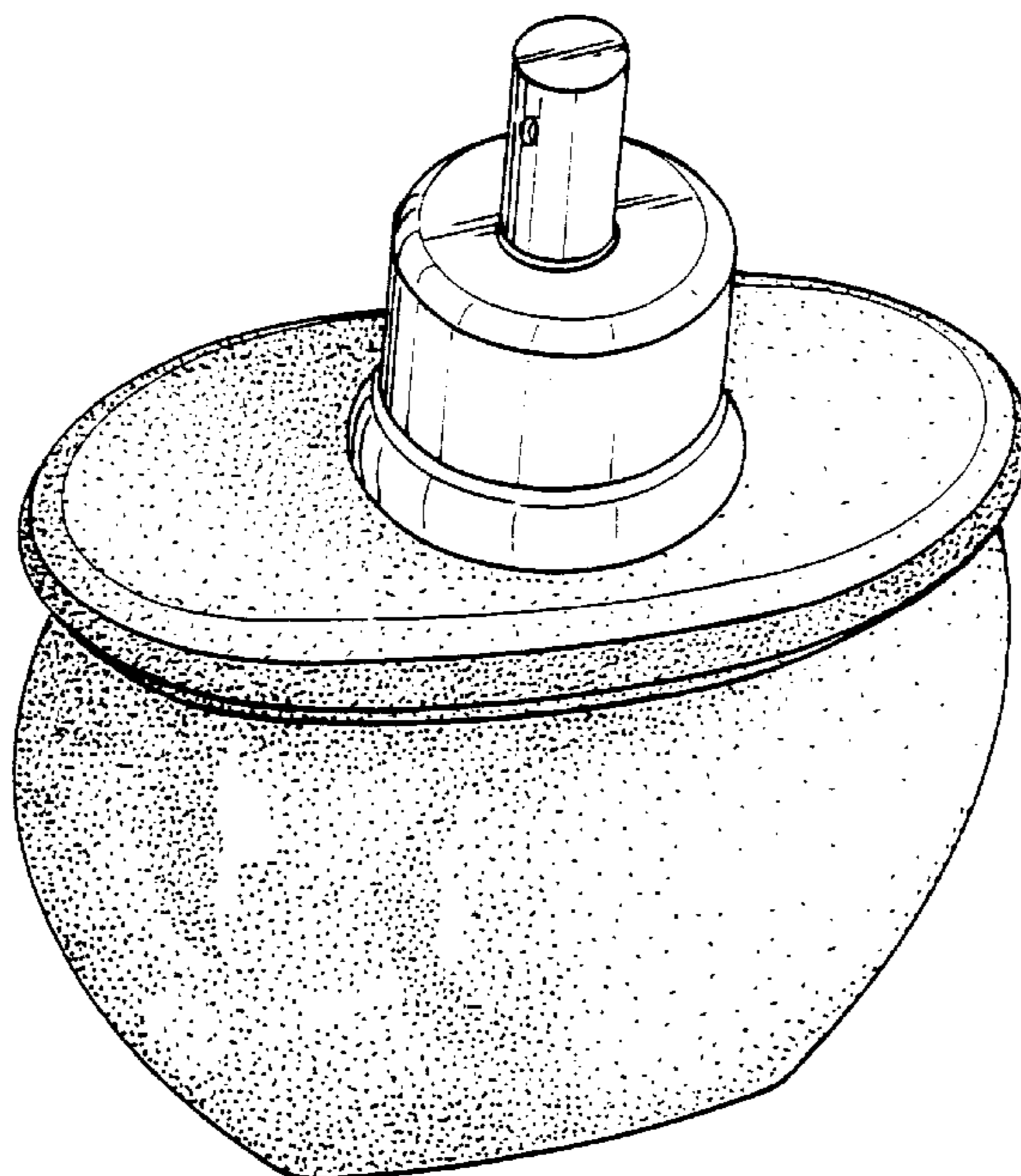
The container is formed by a swelling body with a substantially elliptical cross section and a flat, elliptical top end, on which a cosmetic dispenser is provided. A perimetrical rounded rim extends from the edge of the top end.

The container is made of transparent or non-transparent, glass or plastic material and is intended to contain primarily a perfume.

* cited by examiner

Primary Examiner—Paula A. Mortimer

1 Claim, 4 Drawing Sheets



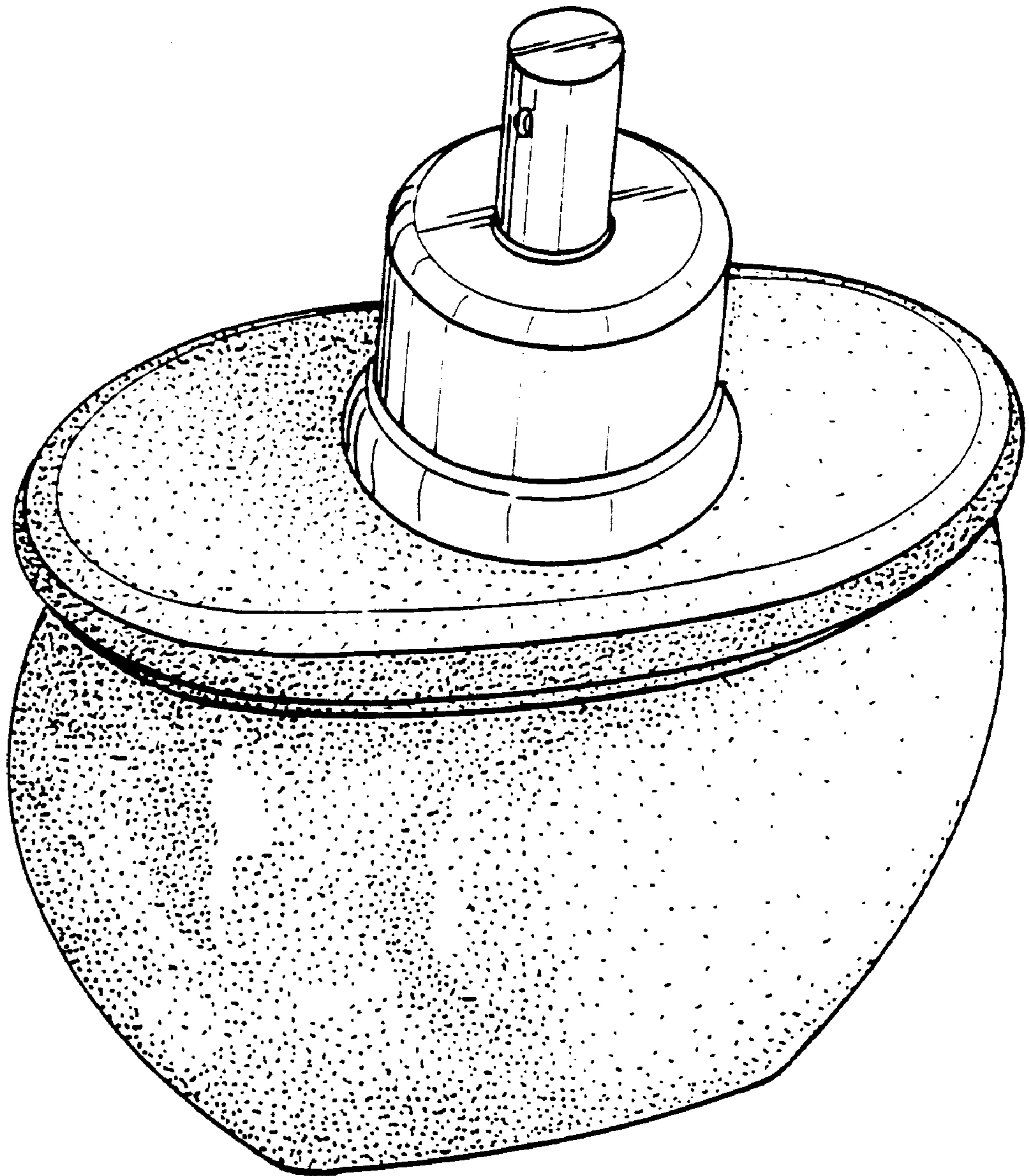


Fig 1

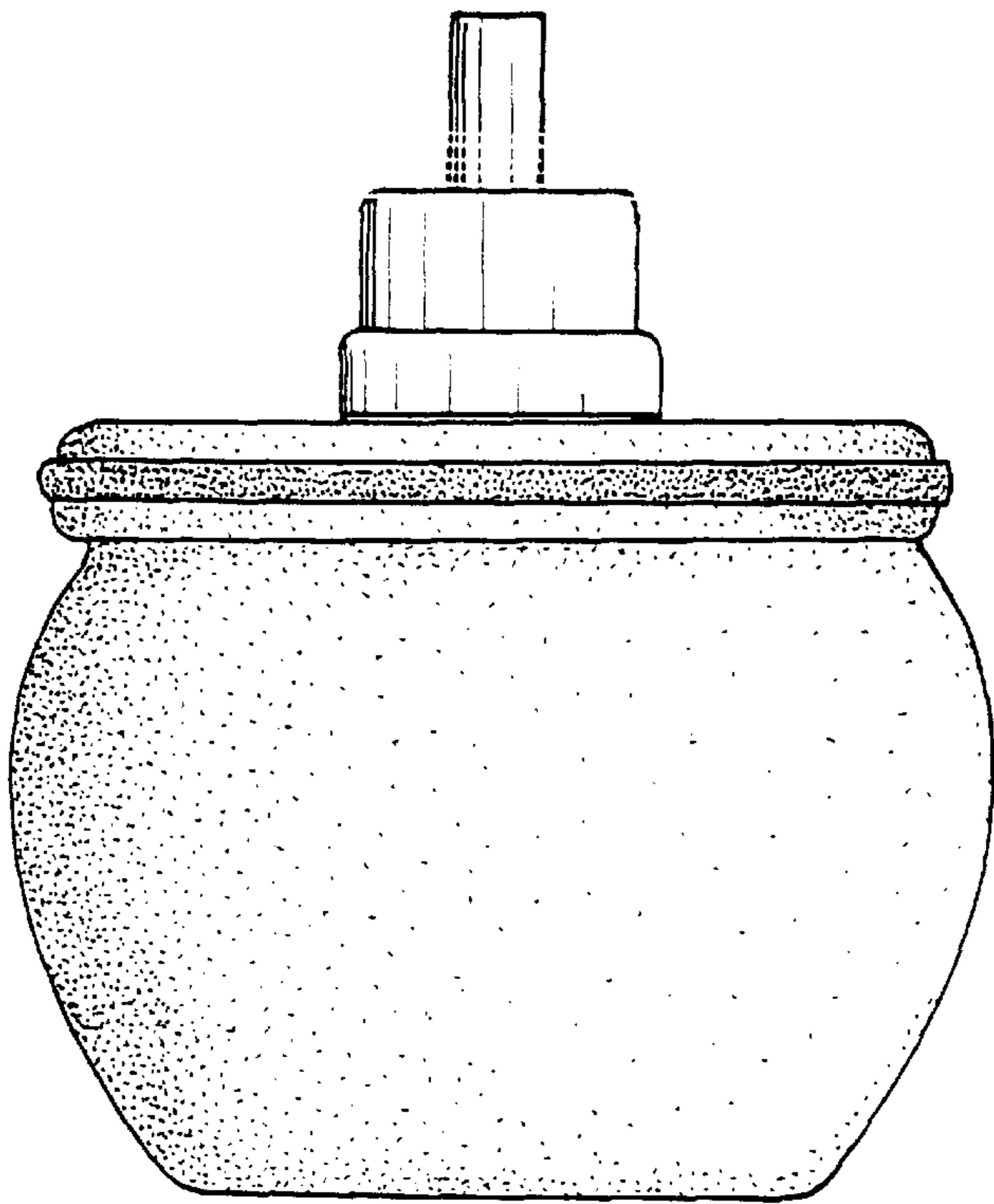


Fig. 2

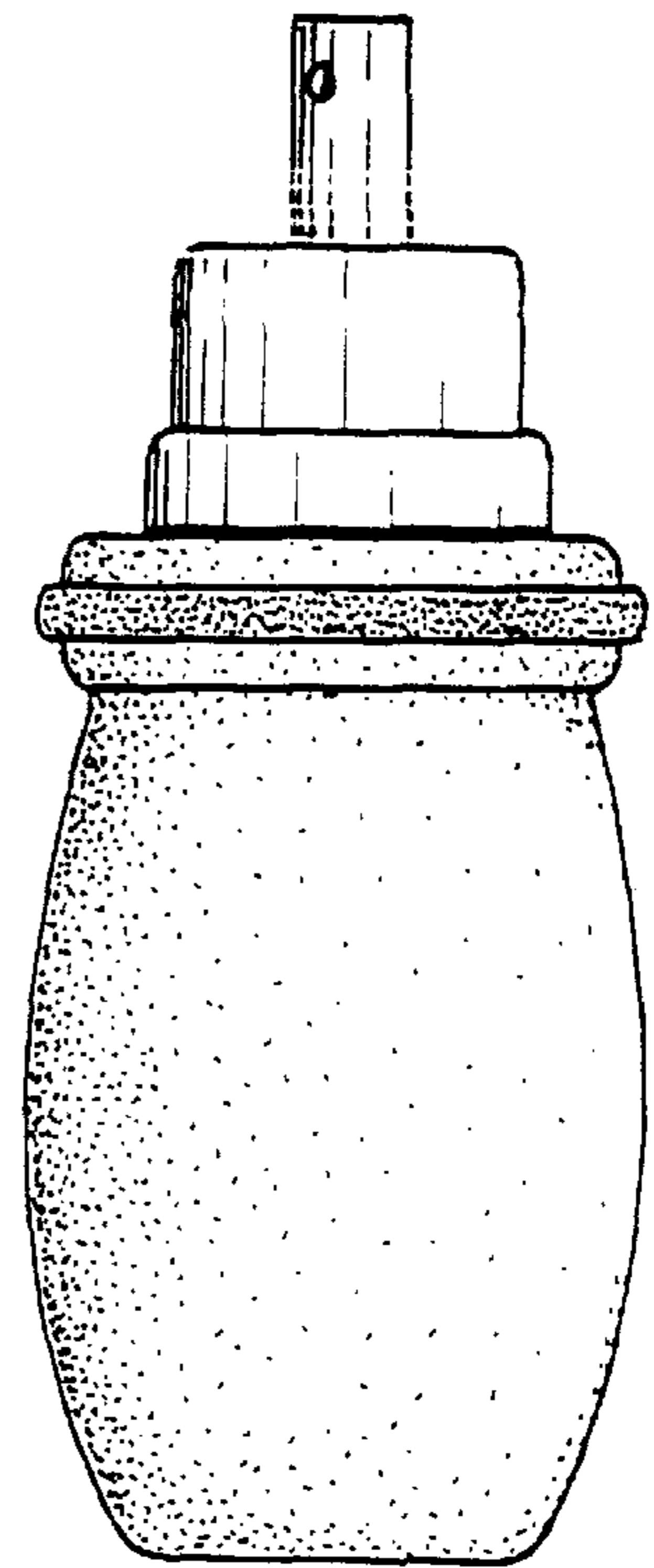


Fig. 3

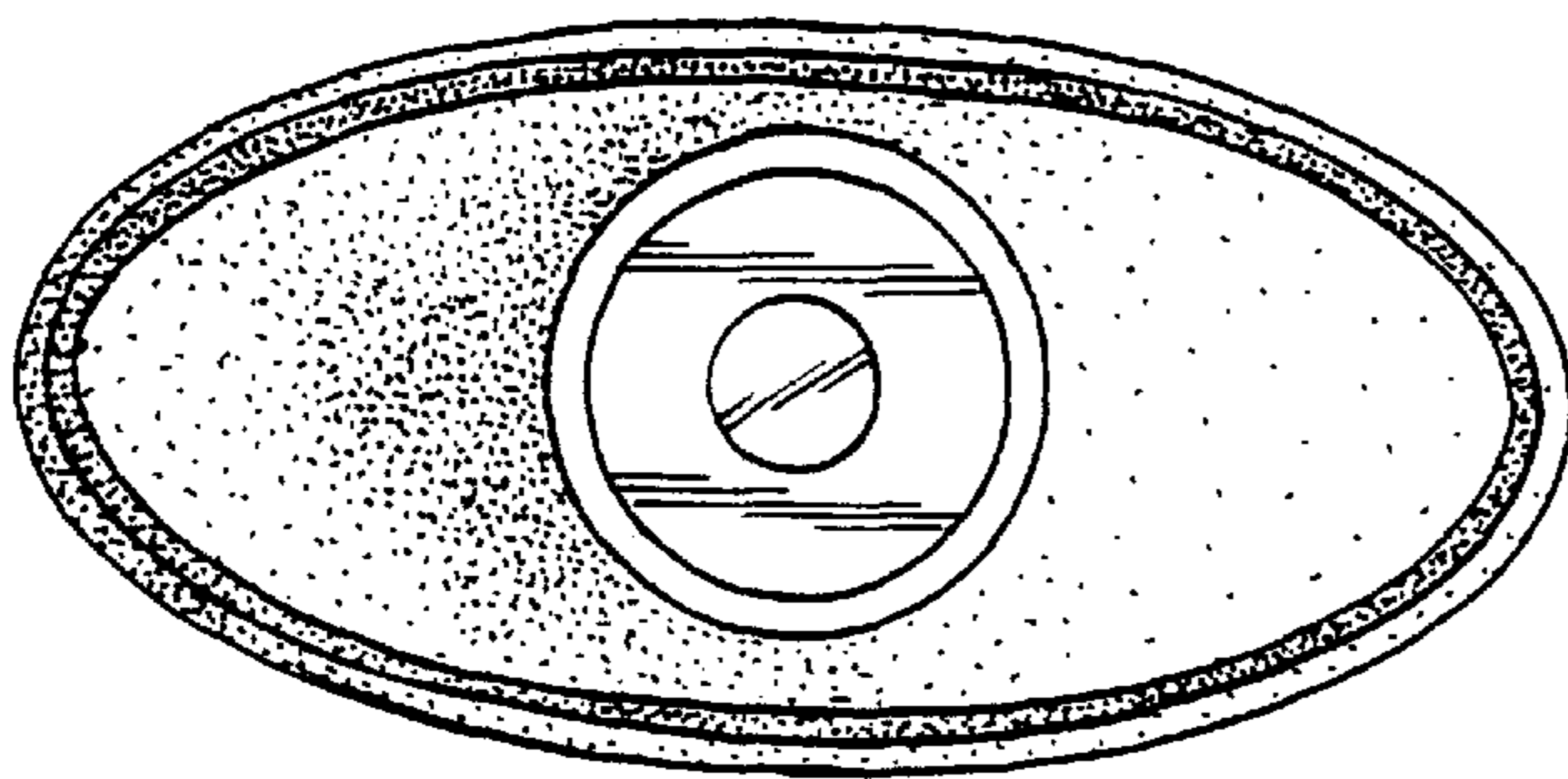
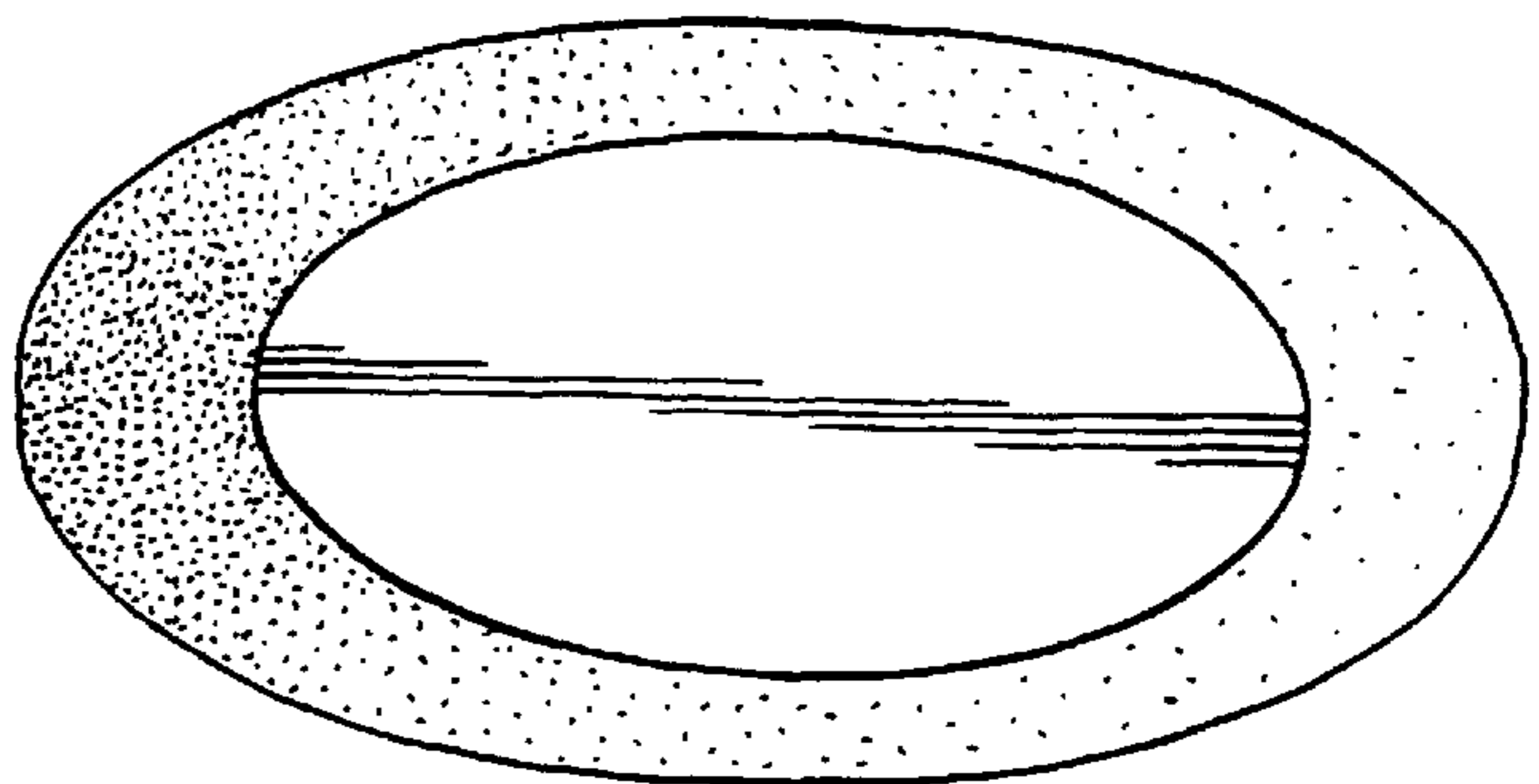


Fig. 4

Fig. 5



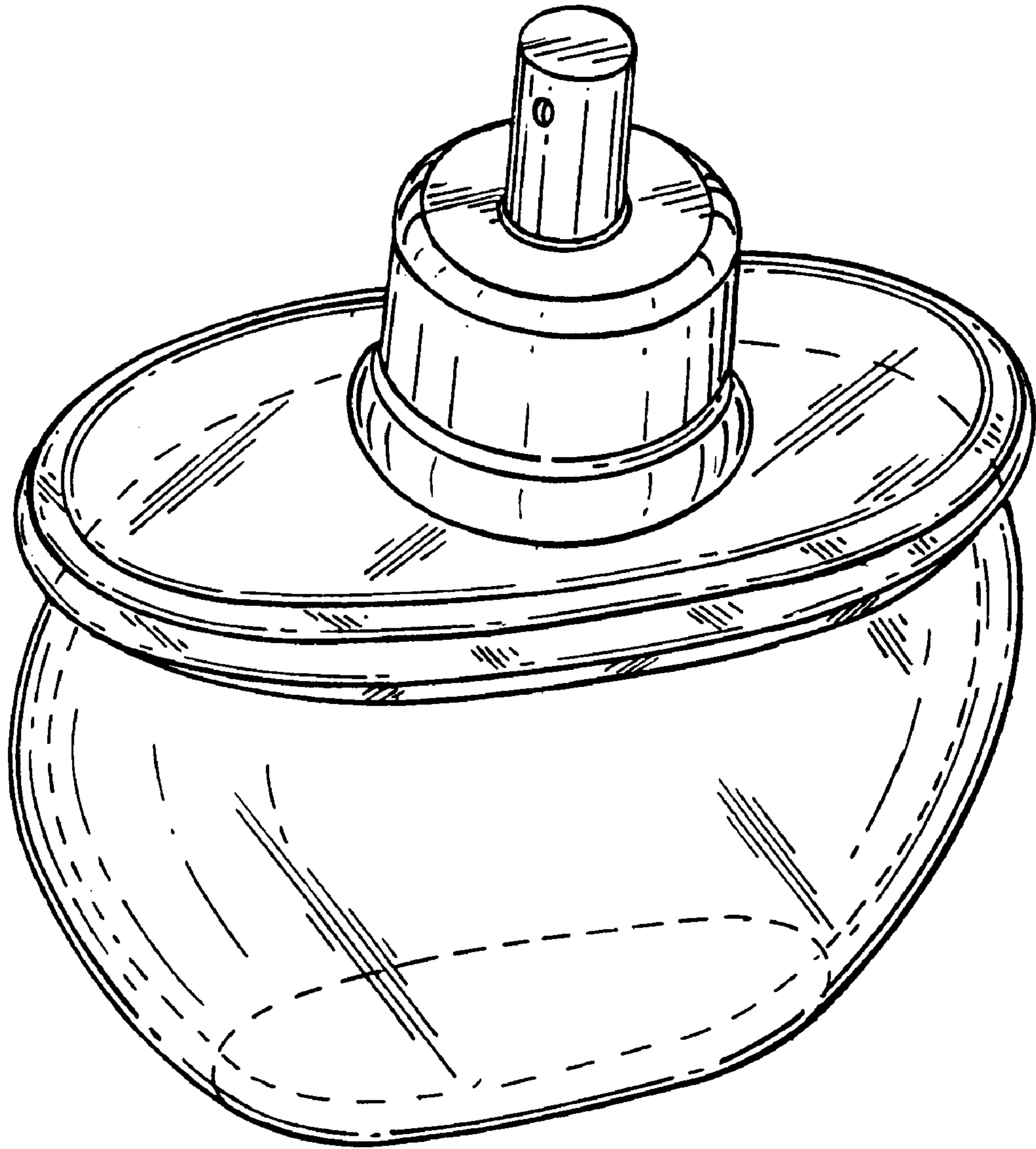


FIG. 6

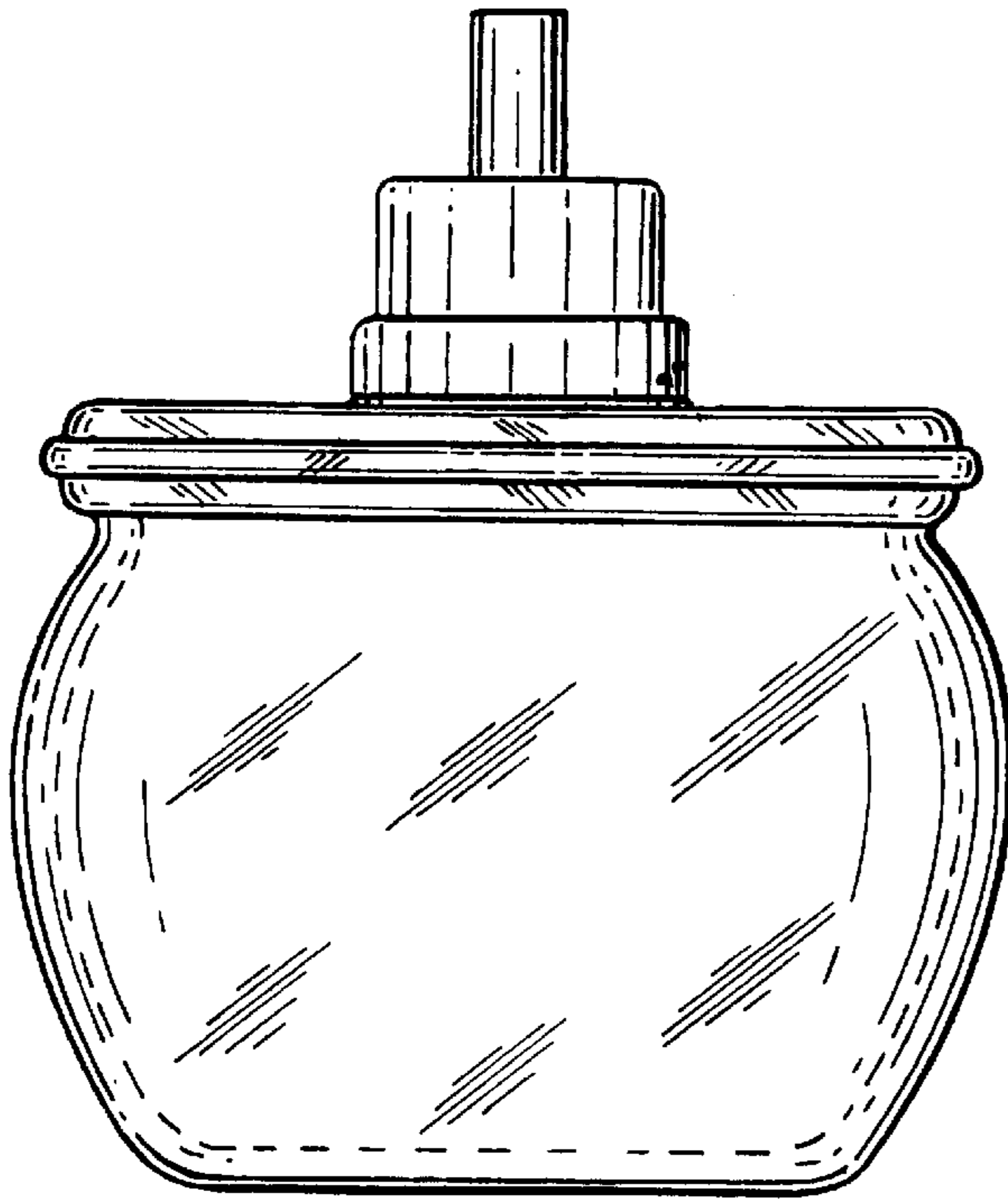


Fig. 7

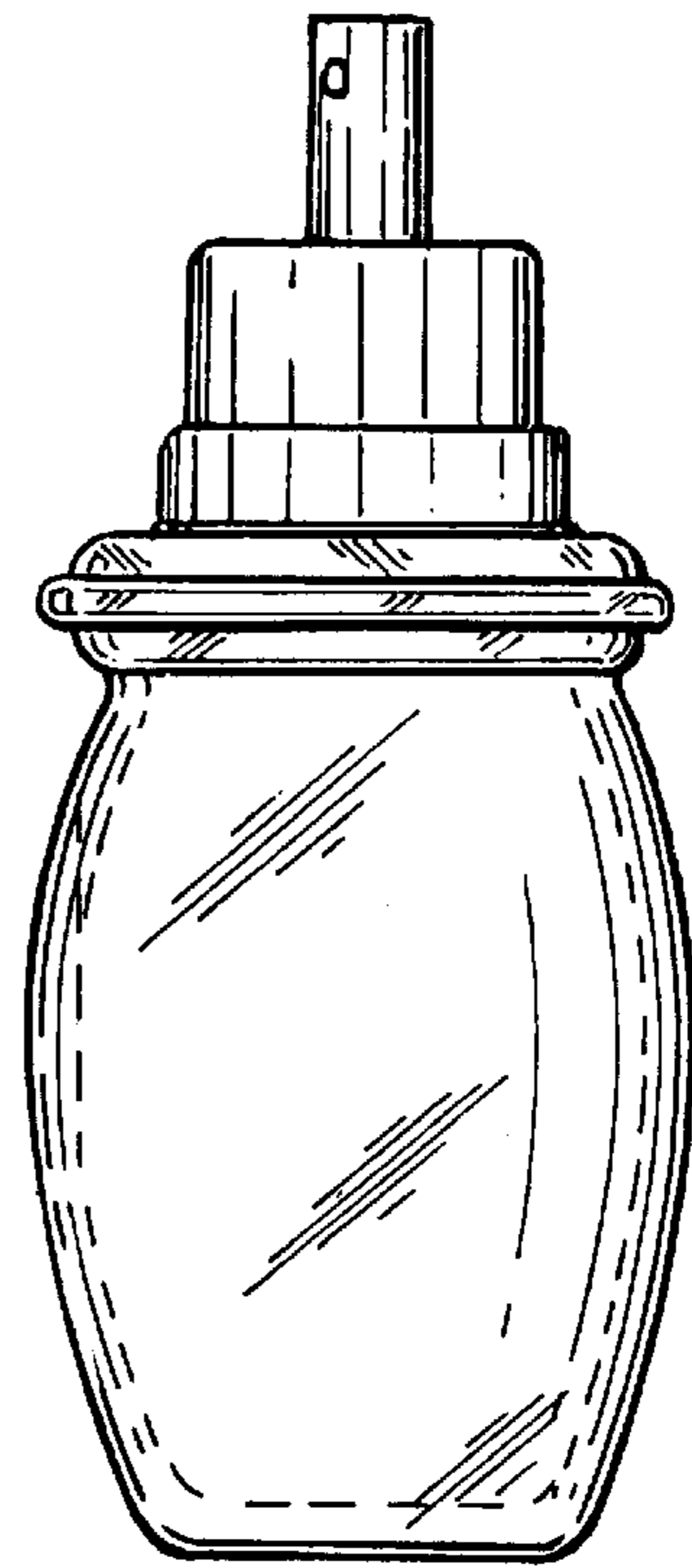


Fig. 8

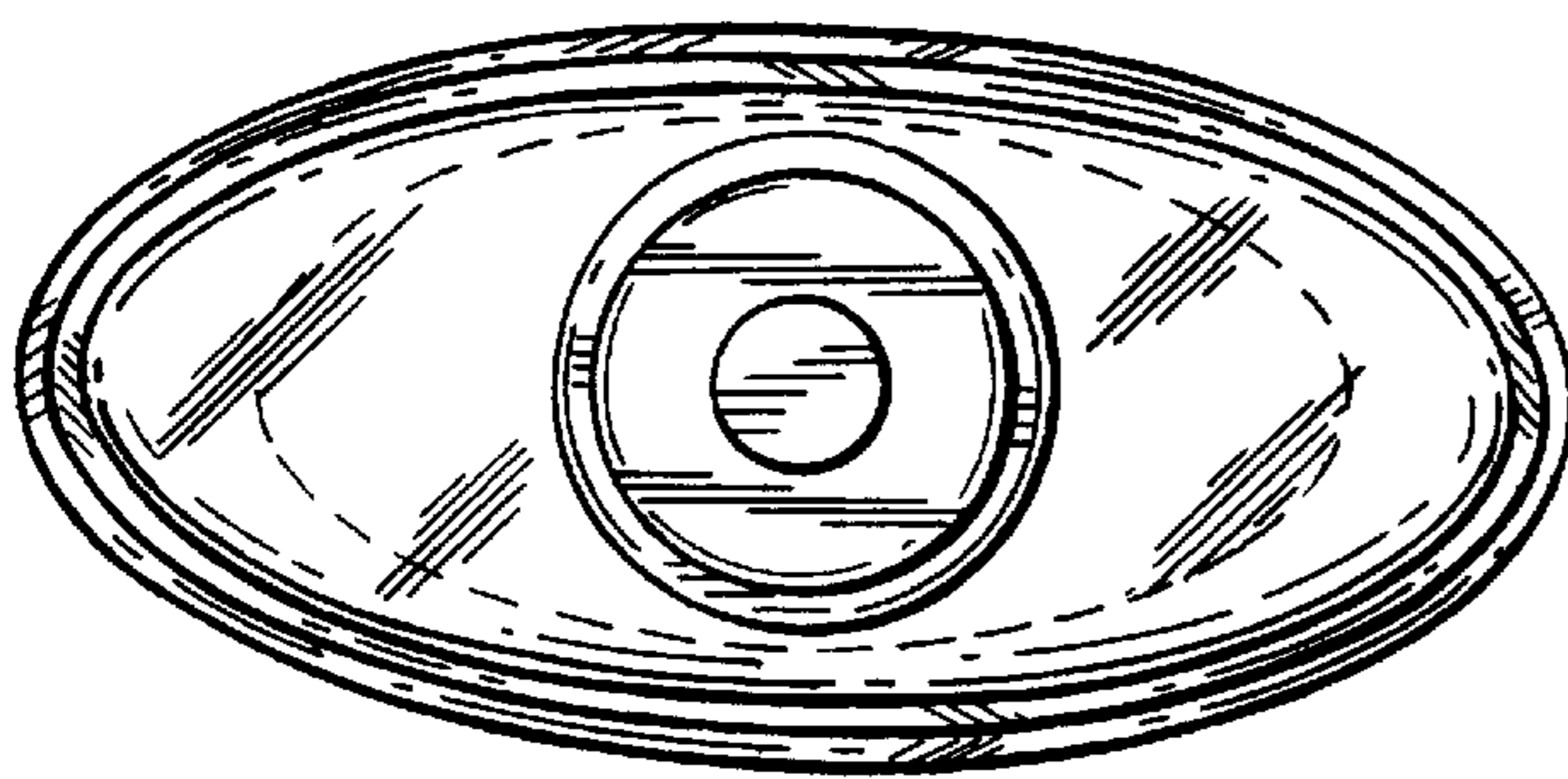


Fig. 9

Fig. 10

